

0297030.H Datasheet

www.digi-electronics.com



<https://www.DiGi-Electronics.com>

| | |
|------------------------------|--|
| DiGi Electronics Part Number | 0297030.H-DG |
| Manufacturer | Littelfuse Inc. |
| Manufacturer Product Number | 0297030.H |
| Description | FUSE AUTO 30A 32VDC BLADE MINI |
| Detailed Description | 30 A AC 32 V DC Fuse Automotive Requires Holder Blade, Miniature |

This model 0297030.H is available at DiGi Electronics.

DiGi Electronics offers a global database of semiconductor and electronic component datasheets.

We welcome your inquiries regarding pricing, lead time, or other product-related questions.

 [Request a Quote](#)

 [Datasheet Search](#)



Tel: +00 852-30501935

RFQ Email: Info@DiGi-Electronics.com

DiGi is a global authorized distributor of electronic components.

Purchase and inquiry

Manufacturer Product Number:

0297030.H

Series:

MINI® 297

Mounting Type:

Requires Holder

Current Rating (Amps):

30 A

Response Time:

-

Breaking Capacity @ Rated Voltage:

1kA

Approval Agency:

-

Color:

Green

DC Cold Resistance:

1.85 Ohms

Manufacturer:

Littelfuse Inc.

Product Status:

Active

Fuse Type:

Automotive

Voltage Rating - DC:

32 V

Package / Case:

Blade, Miniature

Melting I²t:

1130

Operating Temperature:

-40°C ~ 125°C

Size / Dimension:

0.429" L x 0.150" W x 0.346" H (10.90mm x 3.80mm x 8.80mm)

Environmental & Export classification

RoHS Status:

ROHS3 Compliant

REACH Status:

REACH Unaffected

HTSUS:

8536.10.0040

Moisture Sensitivity Level (MSL):

1 (Unlimited)

ECCN:

EAR99

MINI® Blade Fuses - Aftermarket

Rated 32V



Description

MINI® 32V automotive blade fuses boast a miniature design that allows automakers to pack more circuit protection into less space. Despite their light weight, MINI® fuses perform reliably in adverse environments and at extreme temperatures.

Specifications

| | |
|--|---|
| Voltage Rating: | 32 VDC |
| Interrupting Rating: | 1000A @ 32 VDC |
| *Recommended Environmental Temperature: | -40°C to +125°C |
| Terminals Material: | Silver plated / Tin plated zinc alloy |
| Housing Material: | PA66 (U.L. 94 Flammability rating – V2) |
| Net Weight Per Fuse: | 0.57±5% gr |

Applications

- Cars
- Trucks
- SUVs
- Offroad vehicles
- Buses
- Watercraft as approved by Littelfuse®

Features & Benefits

- Color coding shows the amperage rating for each fuse
- See-through housing makes it easy to check whether a fuse has blown
- Checkpoints on top make it possible to measure resistance without removing the fuse
- High-contrast amperage stamp on the top of the housing aids identification
- Simple to install and remove

Ordering Information

| COLOR CODE | CURRENT RATING (A) | BOXED | | CARDED | | CARDED |
|------------|--------------------|------------|-----------|------------|-----------|---------------|
| | | MATERIAL # | CATALOG # | MATERIAL # | CATALOG # | MATERIAL # |
| Gray | 2A | 0MIN002.V | MIN2 | 0MIN002.VP | MIN2BP | 0MIN002.ZXPRO |
| Violet | 3A | 0MIN003.V | MIN3 | 0MIN003.VP | MIN3BP | 0MIN003.ZXPRO |
| Pink | 4A | 0MIN004.V | MIN4 | 0MIN004.VP | MIN4BP | 0MIN004.ZXPRO |
| Tan | 5A | 0MIN005.V | MIN5 | 0MIN005.VP | MIN5BP | 0MIN005.ZXPRO |
| Brown | 7.5A | 0MIN07.5V | MIN7.5 | 0MIN07.5VP | MIN7.5BP | 0MIN07.5ZXPRO |
| Red | 10A | 0MIN010.V | MIN10 | 0MIN010.VP | MIN10BP | 0MIN010.ZXPRO |
| Blue | 15A | 0MIN015.V | MIN15 | 0MIN015.VP | MIN15BP | 0MIN015.ZXPRO |
| Yellow | 20A | 0MIN020.V | MIN20 | 0MIN020.VP | MIN20BP | 0MIN020.ZXPRO |
| Clear | 25A | 0MIN025.V | MIN25 | 0MIN025.VP | MIN25BP | 0MIN025.ZXPRO |
| Green | 30A | 0MIN030.V | MIN30 | 0MIN030.VP | MIN30BP | 0MIN030.ZXPRO |

Please refer to the Littelfuse Aftermarket catalog for packaging information.

MINI[®] Blade Fuses - Aftermarket

Rated 32V

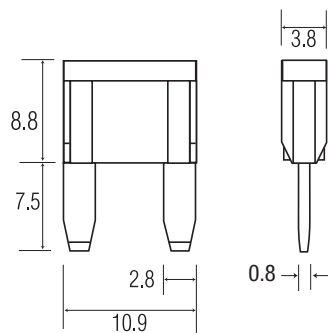
Ratings

| Part Number | Current Rating (A) | Housing Material Color | Test Cable Size (mm ²) | Typ. Voltage Drop (mV) | Typ. Cold Resistance (mΩ) | Typ. I ² t (A ² s) |
|-------------|--------------------|------------------------|------------------------------------|------------------------|---------------------------|--|
| 0MIN002_ | 2 | Grey | 0.5 | 171 | 55.60 | 2.8 |
| 0MIN003_ | 3 | Purple | 0.5 | 153 | 33.75 | 9.4 |
| 0MIN004_ | 4 | Pink | 0.5 | 121 | 23.48 | 17 |
| 0MIN005_ | 5 | Brown | 0.5 | 129 | 17.75 | 25 |
| 0MIN07.5_ | 7.5 | Dark Brown | 0.75 | 135 | 10.85 | 68 |
| 0MIN010_ | 10 | Red | 1 | 108 | 7.42 | 93 |
| 0MIN015_ | 15 | Blue | 1.5 | 98 | 4.58 | 270 |
| 0MIN020_ | 20 | Yellow | 2.5 | 96 | 3.21 | 380 |
| 0MIN025_ | 25 | Light Orange | 2.5 | 86 | 2.36 | 625 |
| 0MIN030_ | 30 | Green | 4 | 87 | 1.85 | 1 100 |

The typical I²t is an average value calculated from the breaking capacity tests by using the melting time before the arcing occurs.

Dimensions

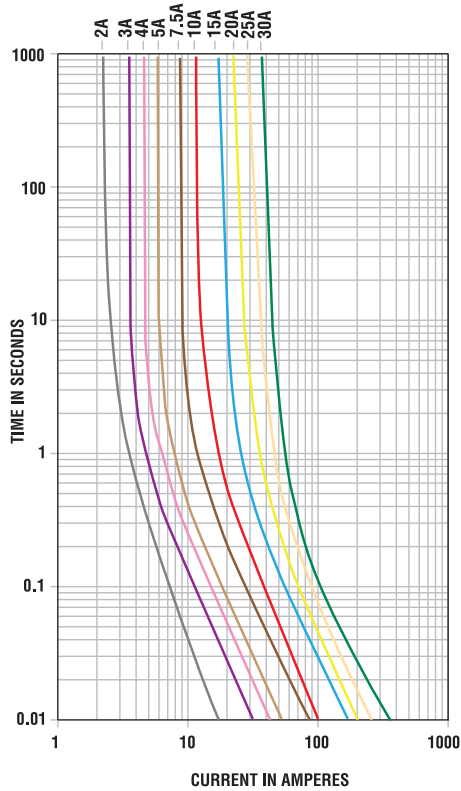
Dimensions in mm for reference only.
See outline drawing for dimensions and tolerances.



MINI® Blade Fuses - Aftermarket

Rated 32V

Time-Current Characteristic Curves

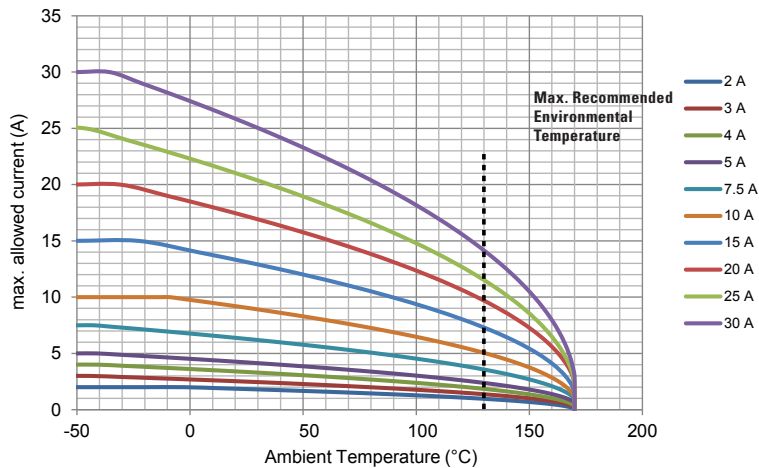


Time-Current Characteristics

| % of Rating | Opening Time Min / Max (s) |
|-------------|----------------------------|
| 110 | 360,000 / ∞ |
| 135 | 0.75 / 600 |
| 200 | 0.15 / 5 |
| 350 | 0.08 / 0.5 |
| 600 | 0.03 / 0.1 |

Typical Derating of Fuse Melting Element

Temperature Security Margin is 20%
Please contact Littelfuse® for Details Regarding Derating Test Set-Up.



Temperature Table

| | max. allowed current load (A) at ambient temperature (typical derating) | | | | | | | |
|--------------|---|-------|-----|------|------|------|------|-------|
| | -40°C | -20°C | 0°C | 20°C | 40°C | 60°C | 80°C | 100°C |
| 2 A | 2.0 | 2.0 | 2.0 | 1.9 | 1.7 | 1.6 | 1.4 | 1.3 |
| 3 A | 3.0 | 2.8 | 2.7 | 2.5 | 2.4 | 2.2 | 2.0 | 1.8 |
| 4 A | 4.0 | 3.8 | 3.6 | 3.4 | 3.2 | 2.9 | 2.7 | 2.4 |
| 5 A | 5.0 | 4.8 | 4.5 | 4.3 | 4.0 | 3.7 | 3.4 | 3.0 |
| 7.5 A | 7.5 | 7.1 | 6.8 | 6.4 | 6.0 | 5.5 | 5.1 | 4.5 |
| 10 A | 10 | 10 | 9.8 | 9.2 | 8.6 | 8.0 | 7.3 | 6.5 |
| 15 A | 15 | 15 | 14 | 13 | 12 | 12 | 11 | 9.0 |
| 20 A | 20 | 19 | 18 | 17 | 16 | 15 | 14 | 12 |
| 25 A | 25 | 24 | 22 | 21 | 20 | 18 | 17 | 15 |
| 30 A | 30 | 29 | 27 | 26 | 24 | 22 | 20 | 18 |

Derating curves may change depending on the final condition of the application (terminals characteristics, wire size etc.). Please ask Littelfuse® for more information.

OUR CERTIFICATE

DiGi provide top-quality products and perfect service for customer worldwide through standardization, technological innovation and continuous improvement. DiGi through third-party certification, we stricly control the quality of products and services. Welcome your RFQ to

Email: Info@DiGi-Electronics.com



Tel: +00 852-30501935

RFQ Email: Info@DiGi-Electronics.com

DiGi is a global authorized distributor of electronic components.