

# 03400313Z Datasheet



<https://www.DiGi-Electronics.com>

DiGi Electronics Part Number	03400313Z-DG
Manufacturer	<a href="#">Littelfuse Inc.</a>
Manufacturer Product Number	03400313Z
Description	FUSE HLDR CART 250V 20A PNL MNT
Detailed Description	Fuse Holder 20 A 250V 1 Circuit Cartridge Panel Mo unt

This model 03400313Z is available at DiGi Electronics.

DiGi Electronics offers a global database of semiconductor and electronic component datasheets.

We welcome your inquiries regarding pricing, lead time, or other product-related questions.

 [Request a Quote](#)

 [Datasheet Search](#)



Tel: +00 852-30501935

RFQ Email: [Info@DiGi-Electronics.com](mailto:Info@DiGi-Electronics.com)

DiGi is a global authorized distributor of electronic components.

## Purchase and inquiry

Manufacturer Product Number:

03400313Z

Series:

340

Mounting Type:

Panel Mount

Current Rating (Amps):

20 A

Fuse Type:

Cartridge

Number of Circuits:

1

Orientation:

-

Contact Material:

Copper Alloy

Manufacturer:

Littelfuse Inc.

Product Status:

Active

Fuse Size:

0.25" Dia x 1.26" L (6.35mm x 32mm)

For Use With/Related Products:

3AG, 1/4" x 1-1/4" (SFE-20)

Fuseholder Type:

Holder

Voltage:

250V

Termination Style:

Solder Lug

Contact Finish:

Tin

## Environmental & Export classification

RoHS Status:

ROHS3 Compliant

REACH Status:

REACH Unaffected

HTSUS:

8538.90.8180

Moisture Sensitivity Level (MSL):

1 (Unlimited)

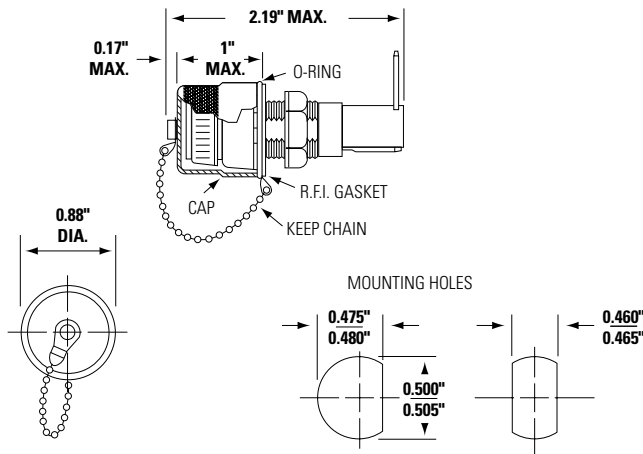
ECCN:

EAR99

**340 Series RF Shielded / Watertight Panel Mount Fuse Holders for 3AB/3AG Fuses**



**Dimensions**



**Product Characteristics**

Compatible Fuses	For 3AG and 3AB Fuses
<b>Description</b>	Radio frequency shielded fuseholders eliminate possible transmission or reception of RF signals through the hole in the chassis in which the fuseholder is mounted. These fuseholders comply with the watertight construction requirement of MIL-PRF-19207 and the Shock-Safe requirements of IEC 60127-6. A rubber O-ring and conductive gasket maintain RF shielding and watertight construction.
<b>Electrical</b>	Rated at 20 amperes for any voltage up to 300 volts.
<b>Ambient Temperature</b>	-40°C to +85°C.
<b>Dielectric Strength</b>	4000 volts minimum.
<b>Insulation Resistance</b>	10,000 megohm minimum at 500 V.
<b>Contact Resistance</b>	Less than .005 ohms average at currents up to 1 amp.
<b>Mounting</b>	Withstand 15 Lb-in mounting torque. Maximum panel thickness is 0.31"
<b>Molded Parts</b>	Body material: Thermoplastic
<b>Knob Material</b>	Thermoplastic
<b>Terminals</b>	Brass. Tin plated, accept solder or .187" female connector.

Refer to [Fuseology](#) for information on proper fuseholder re-rating.

**Agency Approvals**

Agency	Agency File Number
	7316

**Additional Information**



**Datasheet**



**Resources**



**Samples**

**Ordering Information**

Part Number	Brass Shielding Cap Finish	Packing
<b>03400312Z</b>	Nickel plated	Bulk (100 Pieces)
<b>03400313Z</b>	Dull Black	Bulk (1 Piece)

## OUR CERTIFICATE

DiGi provide top-quality products and perfect service for customer worldwide through standardization, technological innovation and continuous improvement. DiGi through third-party certification, we stricly control the quality of products and services. Welcome your RFQ to

Email: [Info@DiGi-Electronics.com](mailto:Info@DiGi-Electronics.com)



Tel: +00 852-30501935

RFQ Email: [Info@DiGi-Electronics.com](mailto:Info@DiGi-Electronics.com)

DiGi is a global authorized distributor of electronic components.