

164.6185.5152 Datasheet

www.digi-electronics.com



<https://www.DiGi-Electronics.com>

DiGi Electronics Part Number	164.6185.5152-DG
Manufacturer	Littelfuse Inc.
Manufacturer Product Number	164.6185.5152
Description	FUSE AUTO 15A 32VDC BLADE ATO
Detailed Description	15 A AC 32 V DC Fuse Automotive Requires Holder Blade, ATO/ATC

This model 164.6185.5152 is available at DiGi Electronics.

DiGi Electronics offers a global database of semiconductor and electronic component datasheets.

We welcome your inquiries regarding pricing, lead time, or other product-related questions.

 [Request a Quote](#)

 [Datasheet Search](#)



Tel: +00 852-30501935

RFQ Email: Info@DiGi-Electronics.com

DiGi is a global authorized distributor of electronic components.

Purchase and inquiry

Manufacturer Product Number:

164.6185.5152

Series:

FKS ATO®

Mounting Type:

Requires Holder

Current Rating (Amps):

15 A

Response Time:

Fast Blow

Breaking Capacity @ Rated Voltage:

1kA

Approval Agency:

cULus

Color:

Blue

DC Cold Resistance:

0.0045 Ohms

Manufacturer:

Littelfuse Inc.

Product Status:

Obsolete

Fuse Type:

Automotive

Voltage Rating - DC:

32 V

Package / Case:

Blade, ATO/ATC

Melting I²t:

250

Operating Temperature:

-

Size / Dimension:

0.748" L x 0.197" W x 0.520" H (19.00mm x 5.00mm x 13.20mm)

Environmental & Export classification

RoHS Status:

ROHS3 Compliant

ECCN:

EAR99

Moisture Sensitivity Level (MSL):

1 (Unlimited)

HTSUS:

8536.10.0040

FKS ATO® Style Blade Fuse Rated 32V

RoHS



Specifications

DIN 72581-3C
ISO 8820-3

Interrupting Rating: 1000 A @32 VDC
Insulating body: Out of thermoplastic (UL 94-V0, heat-resistant)
Cover: Out of thermoplastic (V0, transparent), Visible melting-element
 Shunt: red, not transparent
Terminals: Blade contacts
 Copper alloy, gal. Sn plated
 Edge-protected

Packaging:

Series	Pack Size
162.6185.xxx6	100
162.6185.xxx2	2000
164.6185.xxx2	2000

Blade Fuses

The FKS-32 is an ATO® style blade fuse rated at 32V, featuring a three part construction with copper contacts for excellent reliability in harsh environment conditions and low voltage drop. Current ratings 0.5A thru 40A. With see-through cover for easy detection of blown fuses.

FSK-32 ist eine ATO-Flachstecksicherung mit 32V Nennspannung. Merkmale sind dreiteiliger Aufbau mit Kupferkontakten, niedriger Spannungsabfall und hohe Zuverlässigkeit unter rauen Umgebungsbedingungen. Nennstrom 0,5A bis 40A, transparente Abdeckung zur leichten Erkennung durchgebrannter Sicherungen.

Time-Current Characteristics / Schmelzeit-Grenzwerte

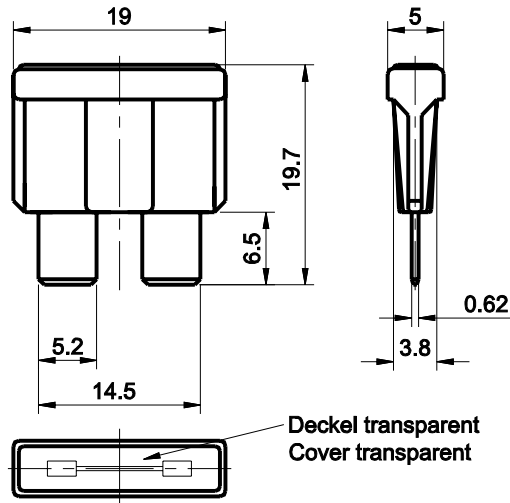
% of Rating % des Nennstromes	Opening Time Min / Max (s) Schmelzcharakteristik Min / Max (s)
110	360,000 s / –
150	0.750 s / 1,800 s
200	0.150 s / 5 s
350	0.040 s / 0.500 s
600	0.020 s / 0.100 s

Part Number Artikel-Nr.	Current Rating Nennstrom	Housing Color Kennfarbe	Typ. Voltage Drop Typ. Spannungsfall		Cold Resistance Kaltwiderstand	I²t
			Standard DIN max.	Littelfuse max.		
162.6185.350_	0.5 A*	■	–	320 mV	450 mΩ	0.70 A²s
162.6185.410_	1 A	■	–	150 mV	108 mΩ	2.00 A²s
162.6185.420_	2 A	■	–	130 mV	47.2 mΩ	8.00 A²s
162.6185.430_	3 A	■	175 mV	140 mV	30.5 mΩ	15.0 A²s
162.6185.440_	4 A	■	175 mV	120 mV	22.5 mΩ	25.0 A²s
164.6185.450_	5 A	■	175 mV	145 mV	16.5 mΩ	35.0 A²s
164.6185.475_	7.5 A	■	150 mV	115 mV	11.5 mΩ	60.0 A²s
164.6185.510_	10 A	■	125 mV	95 mV	6.80 mΩ	110 A²s
164.6185.515_	15 A	■	125 mV	90 mV	4.50 mΩ	250 A²s
164.6185.520_	20 A	■	125 mV	90 mV	3.40 mΩ	648 A²s
164.6185.525_	25 A	□	110 mV	80 mV	2.50 mΩ	600 A²s
164.6185.530_	30 A	■	100 mV	80 mV	1.85 mΩ	1,070 A²s
162.6185.535_	35 A*	■	100 mV	75 mV	1.50 mΩ	1,600 A²s
162.6185.540_	40 A*	■	100 mV	100 mV	1.35 mΩ	2,000 A²s
160.6185.000_	Shunt*	□	–	42 mV	0.73 mΩ	9,000 A²s

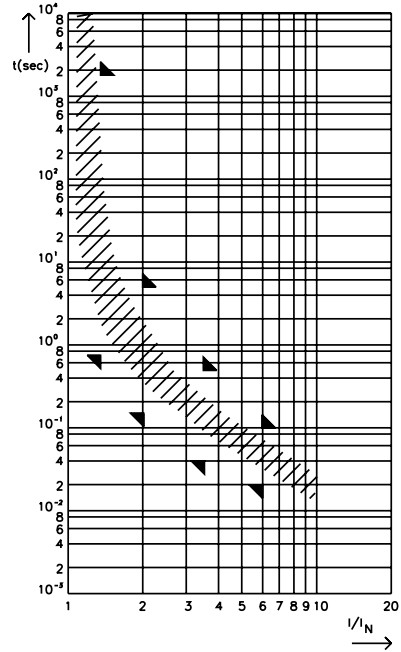
* Not mentioned in the standards Corresponding holder see Section "Fuse Holders."

FKS ATO® Style Blade Fuse Rated 32V

Dimensions in mm / Maße in mm



Pre-arcing Time - limits / Schmelzeit-Grenzwerte DIN



FI = 1.33 (max. operating current: 0.75 x I_{rat} at 23°C)

OUR CERTIFICATE

DiGi provide top-quality products and perfect service for customer worldwide through standardization, technological innovation and continuous improvement. DiGi through third-party certification, we stricly control the quality of products and services. Welcome your RFQ to

Email: Info@DiGi-Electronics.com



Tel: +00 852-30501935

RFQ Email: Info@DiGi-Electronics.com

DiGi is a global authorized distributor of electronic components.