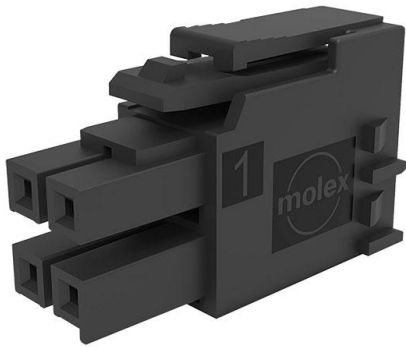


1722583104 Datasheet

www.digi-electronics.com



<https://www.DiGi-Electronics.com>

DiGi Electronics Part Number	1722583104-DG
Manufacturer	Molex
Manufacturer Product Number	1722583104
Description	CONN RCPT HSG 4POS 3.50MM
Detailed Description	4 Rectangular Connectors - Housings Receptacle Black 0.138" (3.50mm)

This model 1722583104 is available at DiGi Electronics.

DiGi Electronics offers a global database of semiconductor and electronic component datasheets.

We welcome your inquiries regarding pricing, lead time, or other product-related questions.

 [Request a Quote](#)

 [Datasheet Search](#)



Tel: +00 852-30501935

RFQ Email: Info@DiGi-Electronics.com

DiGi is a global authorized distributor of electronic components.

Purchase and inquiry

Manufacturer Product Number:

1722583104

Series:

Ultra-Fit 172258

Connector Type:

Receptacle

Number of Positions:

4

Number of Rows:

2

Mounting Type:

Free Hanging (In-Line)

Fastening Type:

Latch Lock

Features:

Glow Wire Compliant, Terminal Position Lock (TPA)

Operating Temperature:

-40°C ~ 105°C

Base Product Number:

172258

Manufacturer:

Molex

Product Status:

Active

Contact Type:

Female Socket

Pitch:

0.138" (3.50mm)

Row Spacing:

0.181" (4.60mm)

Contact Termination:

Crimp

Color:

Black

Insulation Material:

Polyamide (PA), Nylon

Note:

Contacts Not Included

Environmental & Export classification

RoHS Status:

ROHS3 Compliant

REACH Status:

REACH Unaffected

HTSUS:

8538.90.6000

Moisture Sensitivity Level (MSL):

1 (Unlimited)

ECCN:

EAR99

molex[®] APPLICATION SPECIFICATION

1.0 SCOPE

This specification covers the requirements for the application of Ultra-Fit **Tangless** 3.50 mm pitch wire to board, wire to wire connector systems.

2.0 PRODUCT NAME AND SERIES NUMBERS

Ultra-Fit Tangless Female Crimp Terminal	172253
Ultra-Fit Tangless Receptacle Housing	172256 / 172258
TPA Tangless	172264
Ultra-Fit Vertical Header	172286 / 172287 / 172298 / 172299
Ultra-Fit Right Angle Header	172310 / 172316
Ultra-Fit Male Crimp Terminal	216946
Ultra-Fit Plug Housing	202569/216945
Ultra-Fit CPA	217185

3.0 REFERENCE DOCUMENTS

See the appropriate sales drawings for information on specific part numbers and materials.

For dimensions refer

1722560003(SD)	Ultra-Fit, Tangless, Single Row, Receptacle
1722580003(SD)	Ultra-Fit, Tangless, Dual Row, Receptacle
1722532000(SD)	Ultra-Fit, Tangless, Female Crimp Terminal
1722640002(SD)	Ultra-Fit, Tangless, TPA
2171851000-SD	Ultra-Fit, CPA
SD-172286-1000	Ultra-Fit, Vertical, Single Row, Kinked Pin, Vert Header
SD-172287-1000	Ultra-Fit, Vertical, Single Row, Solder Clip, Vert Header
SD-172298-1000	Ultra-Fit, Vertical, Dual Row, Kinked Pin, Vert Header
SD-172299-1000	Ultra-Fit, Vertical, Dual Row, Solder Clip, Vert Header
SD-172310-1000	Ultra-Fit, Right Angle, Single Row, Vert Header
SD-172316-1000	Ultra-Fit, Right Angle, Dual Row, Vert Header
2169461000-SD	Ultra-Fit, Plug, Male Crimp Terminal
2025691000-SD	Ultra-Fit, Single Row, Plug
2169451000-SD	Ultra-Fit, Dual Row, Plug

REVISION: C	ECR/ECN INFORMATION: EC No: 799187 DATE: 9/24/2024	TITLE: APPLICATION SPECIFICATION FOR ULTRA-FIT WIRE TO BOARD AND WIRE TO WRIE CONNECTOR SYSTEM	SHEET No. 1 of 10
DOCUMENT NUMBER: 1723230003	CREATED / REVISED BY: Leo. Wu	CHECKED BY: Nicolas. Zhang	APPROVED BY: Nicolas. Zhang

molex[®] APPLICATION SPECIFICATION

4.0 GENERAL APPLICATION NOTES

Appearance:

- Parts conform to class "B" requirements of cosmetic specification PS-45499-002 except where noted on the sales drawings.

Connector Application

- This connector system is designed to mate gold plating to gold plating OR tin plating to tin plating. Never cross mate tin plated parts to gold plated parts.
- This connector system is not designed for current sharing (i.e. splitting one current load across multiple circuits)
- Connectors are not to be mated or unmated while circuits are live except per the current interrupt rating listed in product specification: PS-172323-0001

Packaging

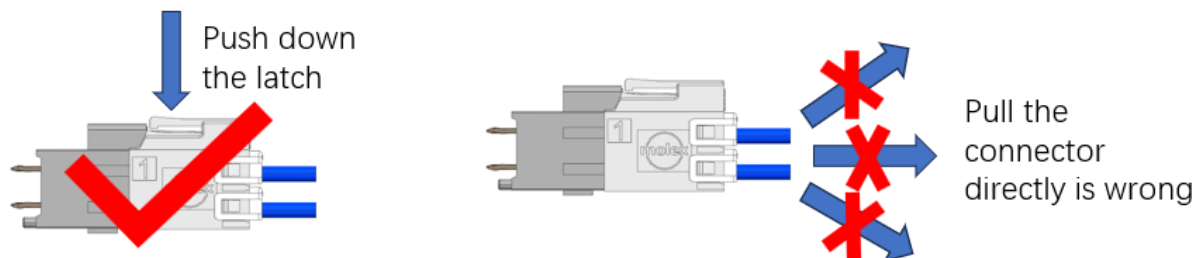
- The parts should remain in the original Molex packaging until ready for use to prevent damage.

Chemical Exposure

- Do not store terminals or header assemblies near any chemicals listed below as they may cause corrosion in the terminal contacts.

Alkalies Ammonia Citrates Phosphates Citrates Sulfur Compounds
Amines Carbonates Nitrites Sulfur Nitrites Tartrates

Disassembly of the male and female connector



- Correct steps: Firstly push down the latch, then separate the connector.
- Error steps: Force open the connector without pressing the latch.
- Note: Forced pulling of the connector can cause damage to the connector latch structure, which can result of lossing function. If the latch is damaged, please replace it with a new connector.

REVISION: C	ECR/ECN INFORMATION: EC No: 799187 DATE: 9/24/2024	TITLE: APPLICATION SPECIFICATION FOR ULTRA-FIT WIRE TO BOARD AND WIRE TO WRIE CONNECTOR SYSTEM	SHEET No. 2 of 10
DOCUMENT NUMBER: 1723230003	CREATED / REVISED BY: Leo. Wu	CHECKED BY: Nicolas. Zhang	APPROVED BY: Nicolas. Zhang

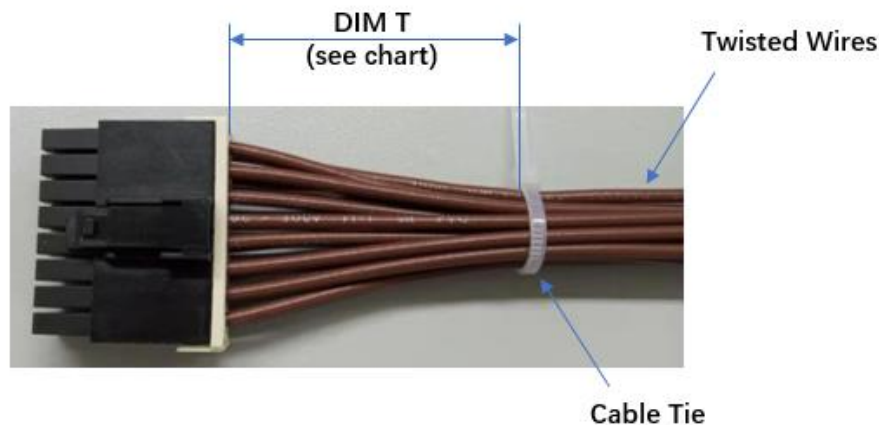
molex[®] APPLICATION SPECIFICATION

Crimped Terminal Extraction

- Terminal extraction tool: See Molex part# 011-03-0016 instructions online on website. Do not reuse terminals that have been removed with the extraction tool. The receptacle/plug housing can be reused if it was not damaged.

Minimum wire bend, cable tie or twist location

Circuit Sizes	Dim T Min.
2-6	.50" (12.7 mm)
8	.75" (19.1 mm)
10-12	1.00" (25.4 mm)
14-16	1.25" (31.75 mm)



- The "T" dimension defines a "free" length of wire, or a length of wire that is not subject to significant bias by external factors such as a wire tie, wire twisting, or other means of bending or deforming of the wires that repositions them from their natural relaxed state or location where they enter the housing. This dimension is a general recommendation and may need to be adjusted for different wire gauges and wire type and insulation thickness and insulation material.
- Wires are to be dressed in such a manner to allow the terminals to float freely in the receptacle pocket.

Connector Testing

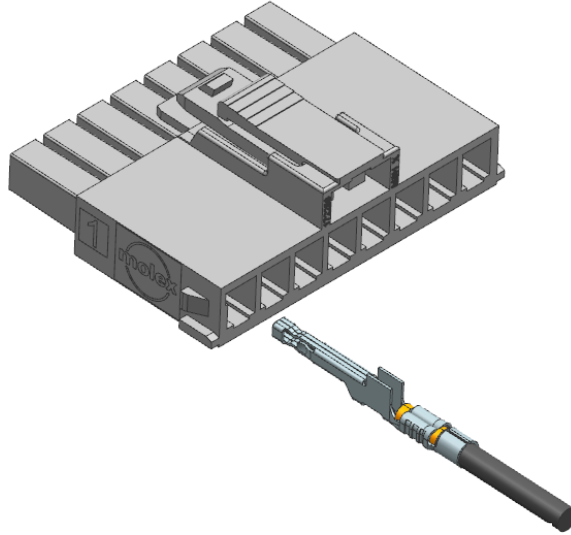
- Do not use Ultra-Fit connectors as test parts, they are not intended to be used with repeated mating. Follow durability cycles as listed in PS-172323-0001

REVISION: C	ECR/ECN INFORMATION: EC No: 799187 DATE: 9/24/2024	TITLE: APPLICATION SPECIFICATION FOR ULTRA-FIT WIRE TO BOARD AND WIRE TO WRIE CONNECTOR SYSTEM	SHEET No. 3 of 10
DOCUMENT NUMBER: 1723230003	CREATED / REVISED BY: Leo. Wu	CHECKED BY: Nicolas. Zhang	APPROVED BY: Nicolas. Zhang

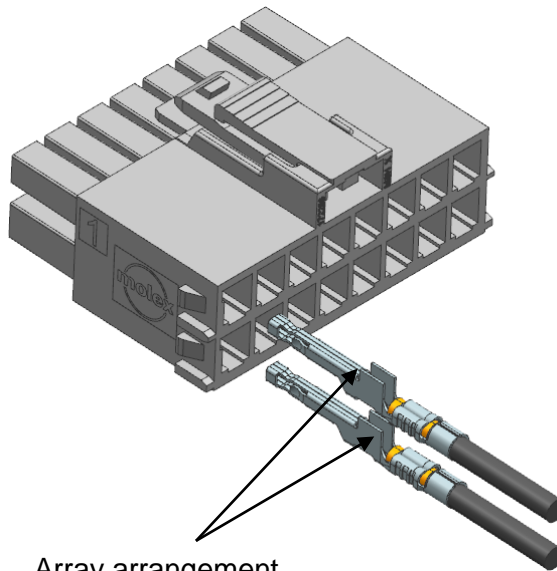
molex[®] APPLICATION SPECIFICATION

Crimped Terminal Insertion

- Terminals are inserted in same direction as below picture for both single row and dual row.
- DO NOT reuse receptacle/plug housing if a crimped terminal was pushed out without an extraction tool.



Single Row Receptacle – Terminal position into the housing

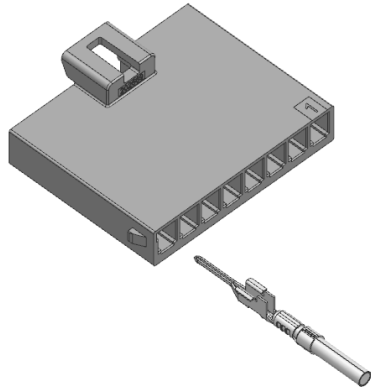


Array arrangement

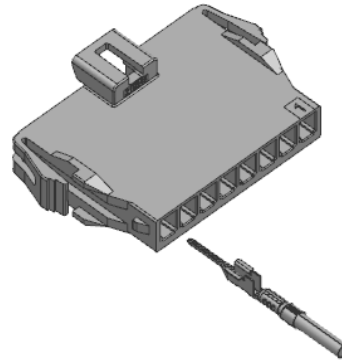
Dual Row Receptacle – Terminal position into the housing

REVISION: C	ECR/ECN INFORMATION: EC No: 799187 DATE: 9/24/2024	TITLE: APPLICATION SPECIFICATION FOR ULTRA-FIT WIRE TO BOARD AND WIRE TO WRIE CONNECTOR SYSTEM	SHEET No. 4 of 10
DOCUMENT NUMBER: 1723230003	CREATED / REVISED BY: Leo. Wu	CHECKED BY: Nicolas. Zhang	APPROVED BY: Nicolas. Zhang

molex[®] APPLICATION SPECIFICATION

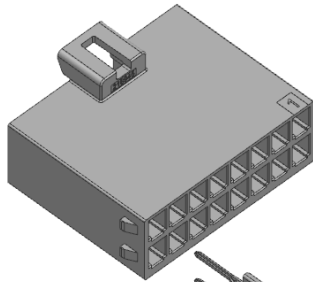


Free Hanging

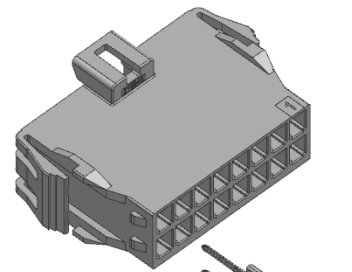


Panel Mount

Single Row Plug – Terminal position into the housing



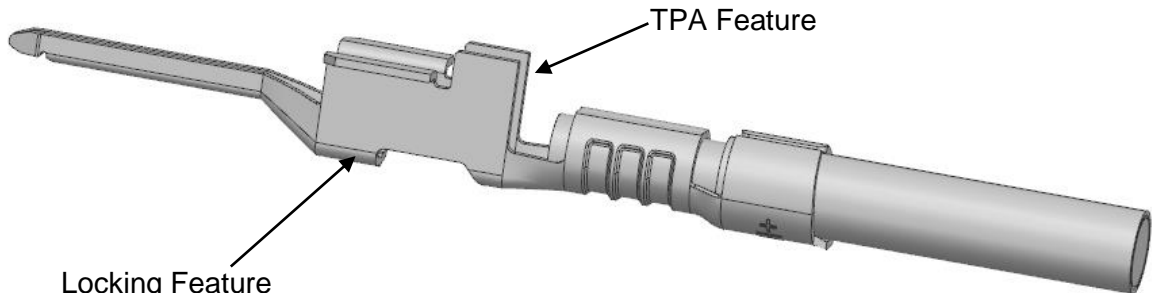
Free Hanging



Panel Mount

Array arrangement

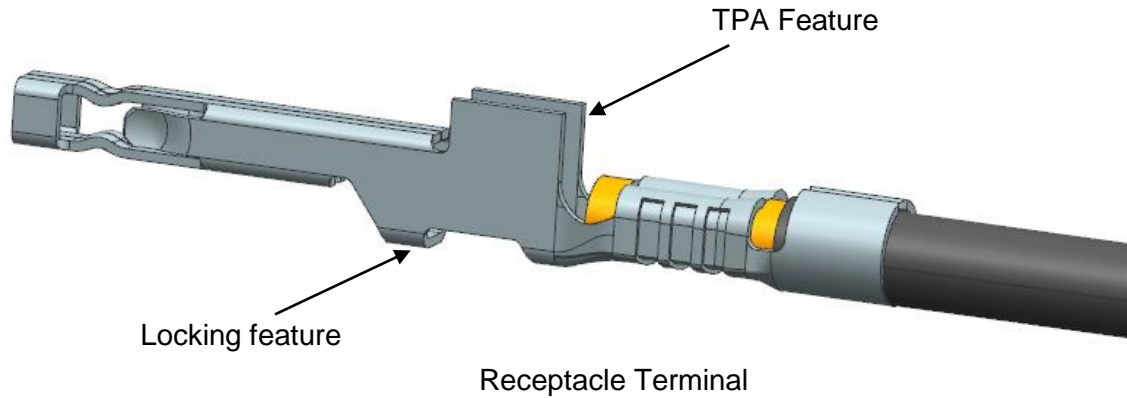
Dual Row Plug – Terminal position into the housing



Plug Terminal

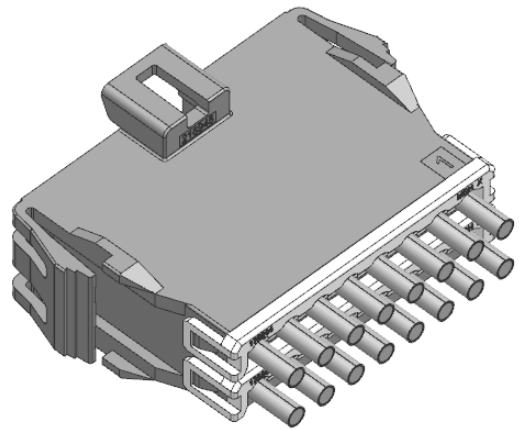
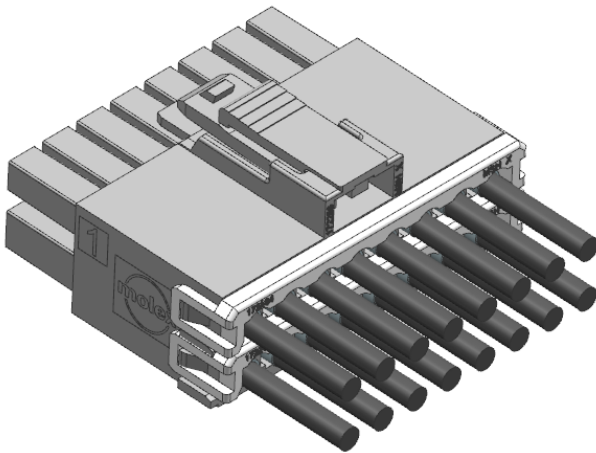
REVISION: C	ECR/ECN INFORMATION: EC No: 799187 DATE: 9/24/2024	TITLE: APPLICATION SPECIFICATION FOR ULTRA-FIT WIRE TO BOARD AND WIRE TO WRIE CONNECTOR SYSTEM	SHEET No. 5 of 10
DOCUMENT NUMBER: 1723230003	CREATED / REVISED BY: Leo. Wu	CHECKED BY: Nicolas. Zhang	APPROVED BY: Nicolas. Zhang

molex[®] APPLICATION SPECIFICATION



- Ensure terminals are fully seated and locked during terminal insertion to the housing

TPA Assembly over the wires



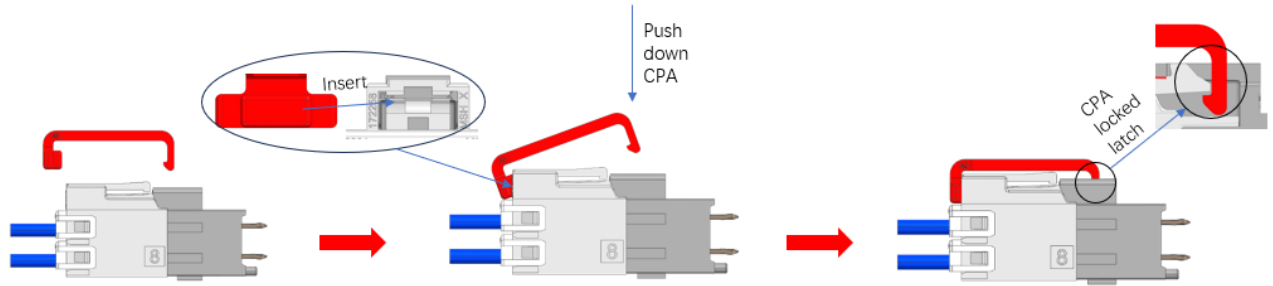
CPA Function

- Increase the retention force of male and female connector.
- Preventing the latch structure from extrusion deformation during application.

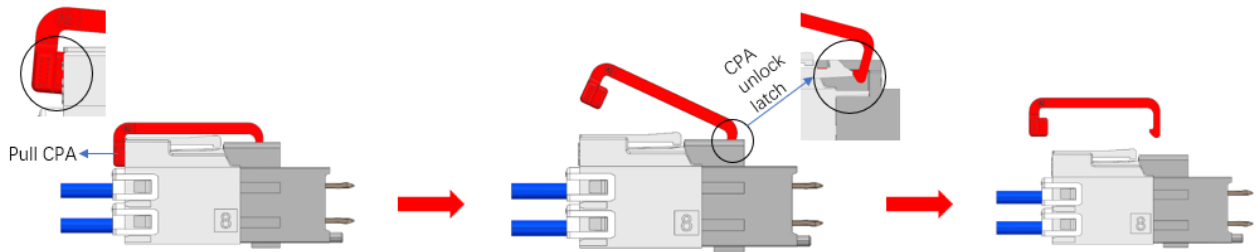
REVISION: C	ECR/ECN INFORMATION: EC No: 799187 DATE: 9/24/2024	TITLE: APPLICATION SPECIFICATION FOR ULTRA-FIT WIRE TO BOARD AND WIRE TO WRIE CONNECTOR SYSTEM	SHEET No. 6 of 10
DOCUMENT NUMBER: 1723230003	CREATED / REVISED BY: Leo. Wu	CHECKED BY: Nicolas. Zhang	APPROVED BY: Nicolas. Zhang

molex[®] APPLICATION SPECIFICATION

Assembly and disassembly of CPA



CPA installation steps

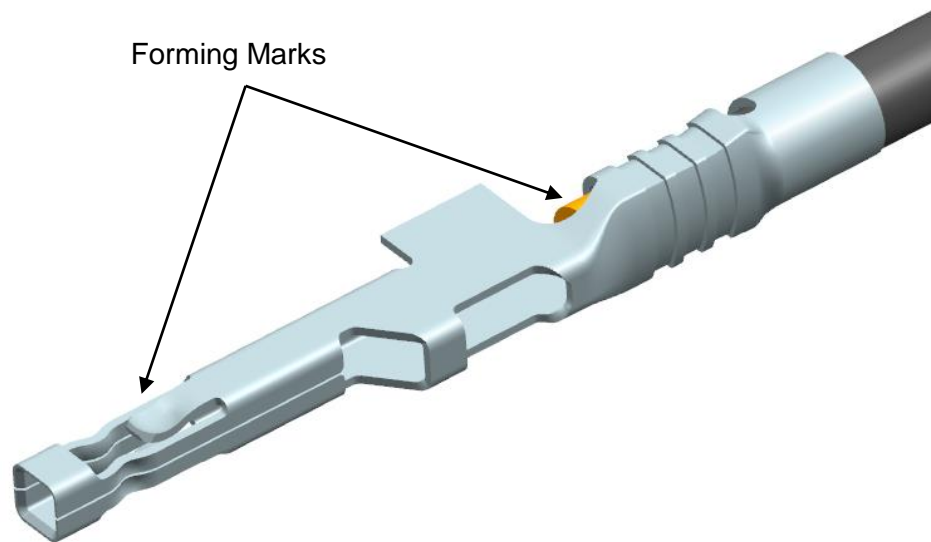


CPA removal steps

- Note: Please follow the recommended steps to assembly and disassembly the CPA, or the CPA will deform or damage, If the CPA is deformed or damaged, please replace it with a new one.

Crimp Terminal Appearance

- Forming marks on female terminal are normal. These are due to stretching of the plating during the forming process and are superficial cracks on the plating surface.



REVISION: C	ECR/ECN INFORMATION: EC No: 799187 DATE: 9/24/2024	TITLE: APPLICATION SPECIFICATION FOR ULTRA-FIT WIRE TO BOARD AND WIRE TO WRIE CONNECTOR SYSTEM	SHEET No. 7 of 10
DOCUMENT NUMBER: 1723230003	CREATED / REVISED BY: Leo. Wu	CHECKED BY: Nicolas. Zhang	APPROVED BY: Nicolas. Zhang

molex[®] APPLICATION SPECIFICATION

Crimp Terminal Function

- DO not use terminals with damaged front face:



Normal Square
Front Box



Damaged
Front Box

Crimp Terminal Handling

- Due to exposed terminal interface, keep crimp terminals on prepackaged reel until they are crimped onto wires. Do not precut and bulk pack terminals due to risk of damaging the contact interface. Store and handle crimped terminals so the interface does not make contact with other terminals or foreign objects. If terminal interface is damaged please discard prior to assembly.

Crimping

- For acceptable crimp tools and specifications see application tooling section on Molex.com listed for each terminal part number.
- Use with multi strand wire only. Single strand wire should not be used.
- This female crimp terminal is designed for single wire crimping only, no double wire crimping is allowed.
- Use only Molex specified crimp tooling, refer to Molex.com for acceptable crimp tooling. Crimped terminals must also meet Molex crimp specifications. Using crimp tooling/specifications other than specified voids any product warranties and will negatively impact mechanical and electrical performance.

Header Appearance

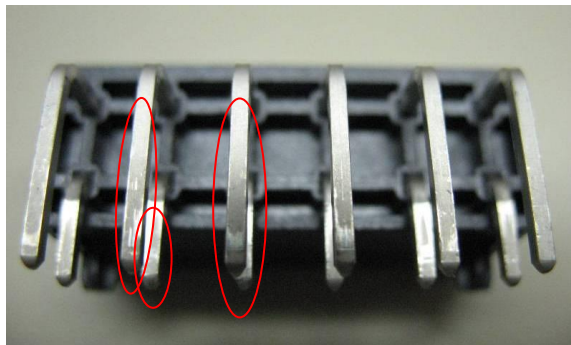
- Discoloration in the bandolier carrier area of the pin is inherent to the plating process and is due to the masking effect of the carrier. This discoloration is in a non-functional area of the pin and will not affect the performance of the header assembly. Refer to cosmetic specification PS-45499-002.

REVISION: C	ECR/ECN INFORMATION: EC No: 799187 DATE: 9/24/2024	TITLE: APPLICATION SPECIFICATION FOR ULTRA-FIT WIRE TO BOARD AND WIRE TO WRIE CONNECTOR SYSTEM	SHEET No. 8 of 10
DOCUMENT NUMBER: 1723230003	CREATED / REVISED BY: Leo. Wu	CHECKED BY: Nicolas. Zhang	APPROVED BY: Nicolas. Zhang

molex[®] APPLICATION SPECIFICATION

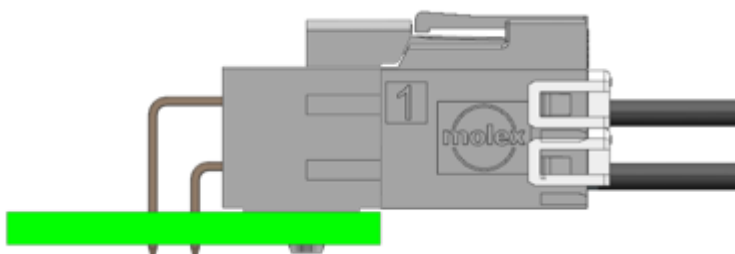
Right Angle Header Appearance

- Forming marks on header pins are acceptable. Refer to cosmetic specification PS-45499-002.



Header Assembly to Board

- Headers are designed with press fit pegs and need to be pushed into the circuit board.
- Header should be flush with board after insertion.
- See below for solder process information.



Solder Process Temperatures

- Wave Solder: 260°C Max
- Reflow Solder: 260°C Max

Reflow Soldering Profile

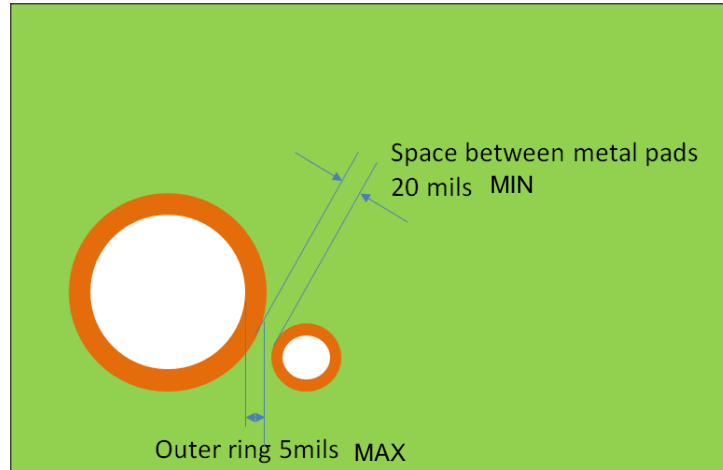
- See AS-40000-5013

Plated Thru Hole profile

- Keep outer ring at 5 mils max with at least 20 mils distance between adjacent metal pads

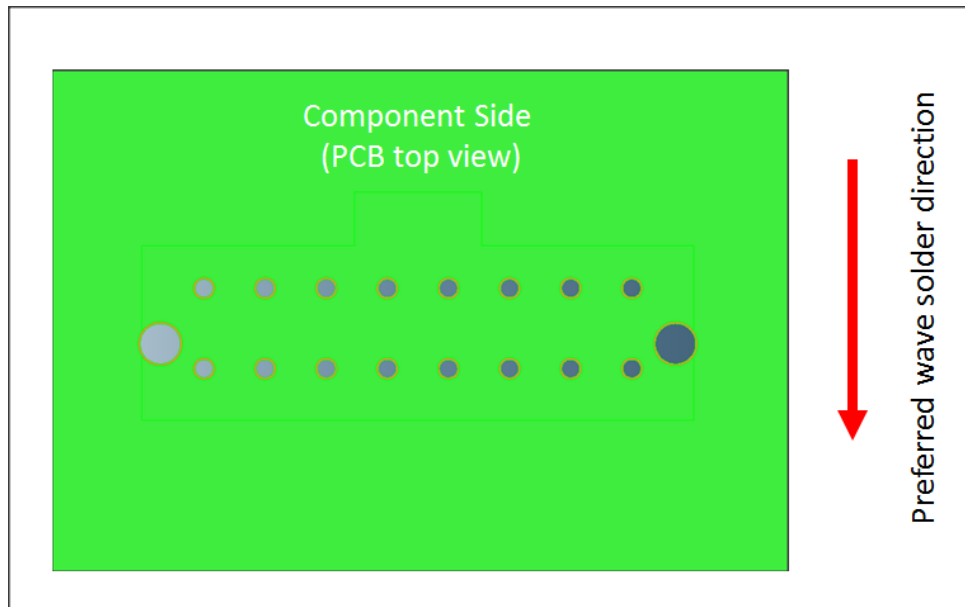
REVISION: C	ECR/ECN INFORMATION: EC No: 799187 DATE: 9/24/2024	TITLE: APPLICATION SPECIFICATION FOR ULTRA-FIT WIRE TO BOARD AND WIRE TO WRIE CONNECTOR SYSTEM	SHEET No. 9 of 10
DOCUMENT NUMBER: 1723230003	CREATED / REVISED BY: Leo. Wu	CHECKED BY: Nicolas. Zhang	APPROVED BY: Nicolas. Zhang

molex[®] APPLICATION SPECIFICATION



Wave Solder Direction

- Preferred wave solder direction:



REVISION: C	ECR/ECN INFORMATION: EC No: 799187 DATE: 9/24/2024	TITLE: APPLICATION SPECIFICATION FOR ULTRA-FIT WIRE TO BOARD AND WIRE TO WRIE CONNECTOR SYSTEM	SHEET No. 10 of 10
DOCUMENT NUMBER: 1723230003	CREATED / REVISED BY: Leo. Wu	CHECKED BY: Nicolas. Zhang	APPROVED BY: Nicolas. Zhang

OUR CERTIFICATE

DiGi provide top-quality products and perfect service for customer worldwide through standardization, technological innovation and continuous improvement. DiGi through third-party certification, we strictly control the quality of products and services. Welcome your RFQ to

Email: Info@DiGi-Electronics.com



Tel: +00 852-30501935

RFQ Email: Info@DiGi-Electronics.com

DiGi is a global authorized distributor of electronic components.