

XC1701LPD8C Datasheet

www.digi-electronics.com



XC1701LPD8C

<https://www.DiGi-Electronics.com>

| | |
|------------------------------|-----------------------------------|
| DiGi Electronics Part Number | XC1701LPD8C-DG |
| Manufacturer | AMD |
| Manufacturer Product Number | XC1701LPD8C |
| Description | IC 1 MB 3.3V SER CONF PROM 8-DIP |
| Detailed Description | Memory, Integrated Circuits (ICs) |



Tel: +00 852-30501935

RFQ Email: Info@DiGi-Electronics.com

DiGi is a global authorized distributor of electronic components.

Purchase and inquiry

Manufacturer Product Number:

XC1701LPD8C

Series:

-

DiGi-Electronics Programmable:

Not Verified

Memory Size:

1Mb

Operating Temperature:

0°C ~ 70°C

Package / Case:

8-DIP (0.300", 7.62mm)

Base Product Number:

XC1701L

Manufacturer:

AMD

Product Status:

Obsolete

Programmable Type:

OTP

Voltage - Supply:

3V ~ 3.6V

Mounting Type:

Through Hole

Supplier Device Package:

8-PDIP

Environmental & Export classification

RoHS Status:

RoHS non-compliant

REACH Status:

REACH Unaffected

HTSUS:

8542.32.0071

Moisture Sensitivity Level (MSL):

Not Applicable

ECCN:

EAR99



XC1700E, XC1700EL, and XC1700L Series Configuration PROMs

DS027 (v3.5) June 25, 2008

Product Specification

Features

- One-time programmable (OTP) read-only memory designed to store configuration bitstreams of Xilinx® FPGAs
- Simple interface to the FPGA; requires only one user I/O pin
- Cascadable for storing longer or multiple bitstreams
- Programmable reset polarity (active High or active Low) for compatibility with different FPGA solutions
- XC17128E/EL, XC17256E/EL, XC1701, and XC1700L series support fast configuration
- Low-power CMOS floating-gate process
- XC1700E series are available in 5V and 3.3V versions
- XC1700L series are available in 3.3V only
- Available in compact plastic packages: 8-pin SOIC, 8-pin VOIC, 8-pin PDIP, 20-pin SOIC, 20-pin PLCC, 44-pin PLCC or 44-pin VQFP
- Programming support by leading programmer manufacturers
- Design support using the Xilinx Alliance and Foundation™ software packages
- Guaranteed 20 year life data retention
- Lead-free (Pb-free) packaging available

Description

The XC1700 family of configuration PROMs provides an easy-to-use, cost-effective method for storing large Xilinx FPGA configuration bitstreams. See Figure 1 for a simplified block diagram.

When the FPGA is in Master Serial mode, it generates a configuration clock that drives the PROM. A short access time after the rising clock edge, data appears on the PROM DATA output pin that is connected to the FPGA D_{IN} pin. The FPGA generates the appropriate number of clock pulses to complete the configuration. After configured, it disables the

PROM. When the FPGA is in Slave Serial mode, the PROM and the FPGA must both be clocked by an incoming signal.

Multiple devices can be concatenated by using the \overline{CE} output to drive the \overline{CE} input of the following device. The clock inputs and the DATA outputs of all PROMs in this chain are interconnected. All devices are compatible and can be cascaded with other members of the family.

For device programming, either the Xilinx Alliance or Foundation software compiles the FPGA design file into a standard Hex format, which is then transferred to most commercial PROM programmers.



DS027_01_021500

Figure 1: Simplified Block Diagram (Does Not Show Programming Circuit)

Pin Description

DATA

Data output is in a high-impedance state when either \overline{CE} or \overline{OE} are inactive. During programming, the DATA pin is I/O. Note that \overline{OE} can be programmed to be either active High or active Low.

CLK

Each rising edge on the CLK input increments the internal address counter, if both \overline{CE} and \overline{OE} are active.

RESET/ \overline{OE}

When High, this input holds the address counter reset and puts the DATA output in a high-impedance state. The polarity of this input pin is programmable as either RESET/ \overline{OE} or OE/ \overline{RESET} . To avoid confusion, this document describes the pin as RESET/ \overline{OE} , although the opposite polarity is possible on all devices. When RESET is active, the address counter is held at "0", and puts the DATA output in a high-impedance state. The polarity of this input is programmable. The default is active High RESET, but the preferred option is active Low \overline{RESET} , because it can be driven by the FPGAs \overline{INIT} pin.

The polarity of this pin is controlled in the programmer interface. This input pin is easily inverted using the Xilinx HW-130 Programmer. Third-party programmers have different methods to invert this pin.

CE

When High, this pin disables the internal address counter, puts the DATA output in a high-impedance state, and forces the device into low- I_{CC} standby mode.

CEO

Chip Enable output, to be connected to the \overline{CE} input of the next PROM in the daisy chain. This output is Low when the \overline{CE} and \overline{OE} inputs are both active AND the internal address counter has been incremented beyond its Terminal Count (TC) value. In other words: when the PROM has been read, \overline{CEO} follows \overline{CE} as long as \overline{OE} is active. When \overline{OE} goes inactive, \overline{CEO} stays High until the PROM is reset. Note that \overline{OE} can be programmed to be either active High or active Low.

V_{PP}

Programming voltage. No overshoot above the specified max voltage is permitted on this pin. For normal read

operation, this pin must be connected to V_{CC} . Failure to do so may lead to unpredictable, temperature-dependent operation and severe problems in circuit debugging. Do not leave V_{PP} floating!

V_{CC} and GND

Positive supply and ground pins.

PROM Pinouts

Pins not listed are "no connects."

| Pin Name | 8-pin PDIP (PD8/PDG8) SOIC (SO8/SOG8) VOIC (VO8/VOG8) | 20-pin SOIC (SO20) | 20-pin PLCC (PC20/PCG20) | 44-pin VQFP (VQ44) | 44-pin PLCC (PC44) |
|--|---|--------------------|--------------------------|--------------------|--------------------|
| DATA | 1 | 1 | 2 | 40 | 2 |
| CLK | 2 | 3 | 4 | 43 | 5 |
| RESET/ \overline{OE} (OE/ \overline{RESET}) | 3 | 8 | 6 | 13 | 19 |
| CE | 4 | 10 | 8 | 15 | 21 |
| GND | 5 | 11 | 10 | 18, 41 | 24, 3 |
| CEO | 6 | 13 | 14 | 21 | 27 |
| V _{PP} | 7 | 18 | 17 | 35 | 41 |
| V _{CC} | 8 | 20 | 20 | 38 | 44 |

Capacity

| Devices | Configuration Bits |
|-------------|--------------------|
| XC1704L | 4,194,304 |
| XC1702L | 2,097,152 |
| XC1701/L | 1,048,576 |
| XC17512L | 524,288 |
| XC1736E | 36,288 |
| XC1765E/EL | 65,536 |
| XC17128E/EL | 131,072 |
| XC17256E/EL | 262,144 |

Pinout Diagrams



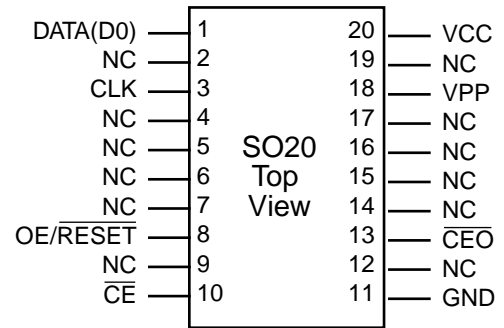
DS027_05_090602



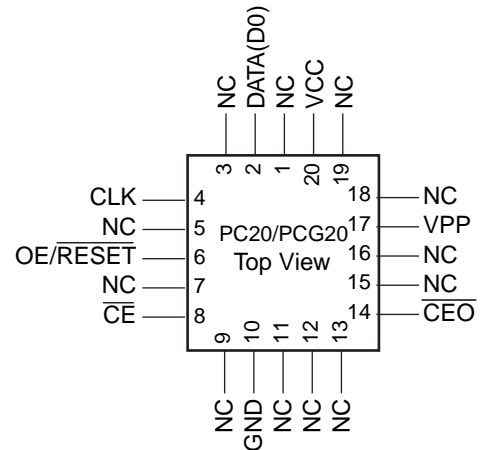
DS027_07_090602



DS027_06_060705



DS027_08_110102



DS027_09_060705

Xilinx FPGAs and Compatible PROMs

| Device | Configuration Bits | PROM |
|-----------------|--------------------|--------------------------|
| XC4003E | 53,984 | XC17128E ⁽¹⁾ |
| XC4005E | 95,008 | XC17128E |
| XC4006E | 119,840 | XC17128E |
| XC4008E | 147,552 | XC17256E |
| XC4010E | 178,144 | XC17256E |
| XC4013E | 247,968 | XC17256E |
| XC4020E | 329,312 | XC1701 |
| XC4025E | 422,176 | XC1701 |
| XC4002XL | 61,100 | XC17128EL ⁽¹⁾ |
| XC4005XL | 151,960 | XC17256EL |
| XC4010XL | 283,424 | XC17512L |
| XC4013XL/XLA | 393,632 | XC17512L |
| XC4020XL/XLA | 521,880 | XC17512L |
| XC4028XL/XLA | 668,184 | XC1701L |
| XC4028EX | 668,184 | XC1701 |
| XC4036EX/XL/XLA | 832,528 | XC1701L |
| XC4036EX | 832,528 | XC1701 |
| XC4044XL/XLA | 1,014,928 | XC1701L |
| XC4052XL/XLA | 1,215,368 | XC1702L |
| XC4062XL/XLA | 1,433,864 | XC1702L |
| XC4085XL/XLA | 1,924,992 | XC1702L |
| XC40110XV | 2,686,136 | XC1704L |
| XC40150XV | 3,373,448 | XC1704L |
| XC40200XV | 4,551,056 | XC1704L + XC17512L |
| XC40250XV | 5,433,888 | XC1704L + XC1702L |
| XC5202 | 42,416 | XC1765E |
| XC5204 | 70,704 | XC17128E |
| XC5206 | 106,288 | XC17128E |
| XC5210 | 165,488 | XC17256E |
| XC5215 | 237,744 | XC17256E |
| XCV50 | 559,200 | XC1701L |
| XCV100 | 781,216 | XC1701L |
| XCV150 | 1,040,096 | XC1701L |
| XCV200 | 1,335,840 | XC1702L |
| XCV300 | 1,751,808 | XC1702L |
| XCV400 | 2,546,048 | XC1704L |
| XCV600 | 3,607,968 | XC1704L |
| XCV800 | 4,715,616 | XC1704L + XC1701L |
| XCV1000 | 6,127,744 | XC1704L + XC1702L |

| Device | Configuration Bits | PROM |
|----------|--------------------|--------------|
| XCV50E | 630,048 | XC1701L |
| XCV100E | 863,840 | XC1701L |
| XCV200E | 1,442,016 | XC1702L |
| XCV300E | 1,875,648 | XC1702L |
| XCV400E | 2,693,440 | XC1704L |
| XCV405E | 3,340,400 | XC1704L |
| XCV600E | 3,961,632 | XC1704L |
| XCV812E | 6,519,648 | 2 of XC1704L |
| XCV1000E | 6,587,520 | 2 of XC1704L |
| XCV1600E | 8,308,992 | 2 of XC1704L |
| XCV2000E | 10,159,648 | 3 of XC1704L |
| XCV2600E | 12,922,336 | 4 of XC1704L |
| XCV3200E | 16,283,712 | 4 of XC1704L |

Notes:

- The suggested PROM is determined by compatibility with the higher configuration frequency of the Xilinx FPGA CCLK. Designers using the default slow configuration frequency (CCLK) can use the XC1765E or XC1765EL for the noted FPGA devices.

Controlling PROMs

Connecting the FPGA device with the PROM:

- The DATA output(s) of the of the PROM(s) drives the D_{IN} input of the lead FPGA device.
- The Master FPGA CCLK output drives the CLK input(s) of the PROM(s).
- The \overline{CE} output of a PROM drives the \overline{CE} input of the next PROM in a daisy chain (if any).
- The $\overline{RESET/OE}$ input of all PROMs is best driven by the \overline{INIT} output of the lead FPGA device. This connection assures that the PROM address counter is reset before the start of any (re)configuration, even when a reconfiguration is initiated by a V_{CC} glitch. Other methods—such as driving $\overline{RESET/OE}$ from \overline{LDC} or system reset—assume the PROM internal power-on-reset is always in step with the FPGA's internal power-on-reset. This may not be a safe assumption.
- The PROM \overline{CE} input can be driven from either the \overline{LDC} or DONE pins. Using \overline{LDC} avoids potential contention on the D_{IN} pin.
- The \overline{CE} input of the lead (or only) PROM is driven by the DONE output of the lead FPGA device, provided that DONE is not permanently grounded. Otherwise, \overline{LDC} can be used to drive \overline{CE} , but must then be unconditionally High during user operation. \overline{CE} can also be permanently tied Low, but this keeps the DATA output active and causes an unnecessary supply current of 10 mA maximum.

FPGA Master Serial Mode Summary

The I/O and logic functions of the Configurable Logic Block (CLB) and their associated interconnections are established by a configuration program. The program is loaded either automatically upon power up, or on command, depending on the state of the three FPGA mode pins. In Master Serial mode, the FPGA automatically loads the configuration program from an external memory. The Xilinx PROMs have been designed for compatibility with the Master Serial mode.

Upon power-up or reconfiguration, an FPGA enters the Master Serial mode whenever all three of the FPGA mode-select pins are Low (M0=0, M1=0, M2=0). Data is read from the PROM sequentially on a single data line. Synchronization is provided by the rising edge of the temporary signal CCLK, which is generated during configuration.

Master Serial Mode provides a simple configuration interface. Only a serial data line and two control lines are required to configure an FPGA. Data from the PROM is read sequentially, accessed via the internal address and bit counters which are incremented on every valid rising edge of CCLK.

If the user-programmable, dual-function D_{IN} pin on the FPGA is used only for configuration, it must still be held at a defined level during normal operation. The Xilinx FPGA families take care of this automatically with an on-chip default pull-up resistor.

Programming the FPGA With Counters Unchanged upon Completion

When multiple FPGA-configurations for a single FPGA are stored in a PROM, the \overline{OE} pin should be tied Low. Upon power-up, the internal address counters are reset and configuration begins with the first program stored in memory. Since the \overline{OE} pin is held Low, the address counters are left unchanged after configuration is complete. Therefore, to reprogram the FPGA with another program, the DONE line is pulled Low and configuration begins at the last value of the address counters.

This method fails if a user applies \overline{RESET} during the FPGA configuration process. The FPGA aborts the configuration and then restarts a new configuration, as intended, but the

Table 1: Truth Table for XC1700 Control Inputs

| Control Inputs | | Internal Address | Outputs | | |
|----------------|------|---|-----------------------|-------------|-------------------|
| RESET | CE | | DATA | CEO | I _{CC} |
| Inactive | Low | If address ≤ TC ⁽¹⁾ : increment If address > TC ⁽²⁾ : don't change | Active High-Z | High Low | Active Reduced |
| Active | Low | Held reset | High-Z | High | Active |
| Inactive | High | Not changing | High-Z ⁽³⁾ | High | Standby |
| Active | High | Held reset | High-Z ⁽³⁾ | High | Standby |

Notes:

1. The XC1700 RESET input has programmable polarity.
2. TC = Terminal Count = highest address value. TC + 1 = address 0.
3. Pull DATA pin to GND or V_{CC} to meet I_{CCS} standby current.

PROM does not reset its address counter, since it never saw a High level on its OE input. The new configuration, therefore, reads the remaining data in the PROM and interprets it as preamble, length count etc. Since the FPGA is the master, it issues the necessary number of CCLK pulses, up to 16 million (2²⁴) and DONE goes High. However, the FPGA configuration is then completely wrong, with potential contentions inside the FPGA and on its output pins. This method must, therefore, never be used when there is any chance of external reset during configuration.

Cascading Configuration PROMs

For multiple FPGAs configured as a daisy-chain, or for future FPGAs requiring larger configuration memories, cascaded PROMs provide additional memory. After the last bit from the first PROM is read, the next clock signal to the PROM asserts its \overline{CEO} output Low and disables its DATA line. The second PROM recognizes the Low level on its \overline{CE} input and enables its DATA output. See Figure 2, page 6.

After configuration is complete, the address counters of all cascaded PROMs are reset if the FPGA \overline{RESET} pin goes Low, assuming the PROM reset polarity option has been inverted.

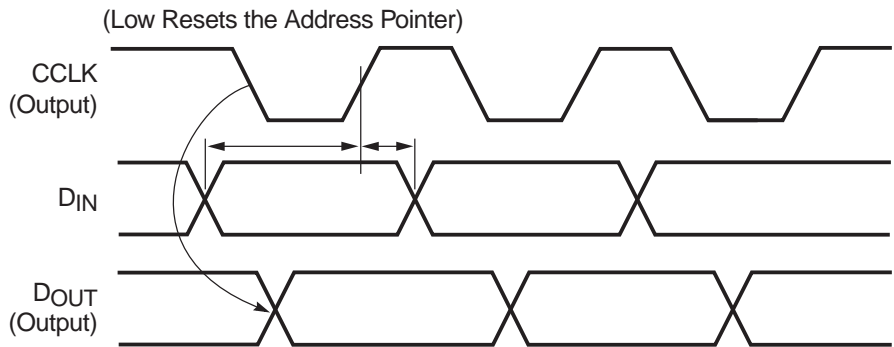
To reprogram the FPGA with another program, the DONE line goes Low and configuration begins where the address counters had stopped. In this case, avoid contention between DATA and the configured I/O use of D_{IN}.

Standby Mode

The PROM enters a low-power standby mode whenever \overline{CE} is asserted High. The output remains in a high-impedance state regardless of the state of the \overline{OE} input.

Programming

The devices can be programmed on programmers supplied by Xilinx or qualified third-party vendors. The user must ensure that the appropriate programming algorithm and the latest version of the programmer software are used. The wrong choice can permanently damage the device.



- Notes:
1. For mode pin connections, refer to the appropriate FPGA data sheet.
 2. The one-time-programmable PROM supports automatic loading of configuration programs.
 3. Multiple devices can be cascaded to support additional FPGAs.
 4. An early DONE inhibits the PROM data output one CCLK cycle before the FPGA I/Os become active.

DS027_02_111606

Figure 2: Master Serial Mode

XC1701, XC1736E, XC1765E, XC17128E and XC17256E

Absolute Maximum Ratings

| Symbol | Description | Conditions | Units |
|-----------|----------------------------------|------------------------|-------|
| V_{CC} | Supply voltage relative to GND | -0.5 to +7.0 | V |
| V_{PP} | Supply voltage relative to GND | -0.5 to +12.5 | V |
| V_{IN} | Input voltage relative to GND | -0.5 to $V_{CC} + 0.5$ | V |
| V_{TS} | Voltage applied to High-Z output | -0.5 to $V_{CC} + 0.5$ | V |
| T_{STG} | Storage temperature (ambient) | -65 to +150 | °C |
| T_J | Junction temperature | +125 | °C |

Notes:

- Stresses beyond those listed under Absolute Maximum Ratings may cause permanent damage to the device. These are stress ratings only, and functional operation of the device at these or any other conditions beyond those listed under Operating Conditions is not implied. Exposure to Absolute Maximum Ratings conditions for extended periods of time may affect device reliability.

Operating Conditions (5V Supply)

| Symbol | Description | Min | Max | Units | |
|----------------|---|------------|-------|-------|---|
| $V_{CC}^{(1)}$ | Supply voltage relative to GND ($T_A = 0^\circ\text{C}$ to $+70^\circ\text{C}$) | Commercial | 4.750 | 5.25 | V |
| | Supply voltage relative to GND ($T_A = -40^\circ\text{C}$ to $+85^\circ\text{C}$) | Industrial | 4.50 | 5.50 | V |

Notes:

- During normal read operation V_{PP} *must* be connect to V_{CC} .

DC Characteristics Over Operating Condition

| Symbol | Description | Min | Max | Units | |
|-----------|---|------------|--------------------|-------|---|
| V_{IH} | High-level input voltage | 2 | V_{CC} | V | |
| V_{IL} | Low-level input voltage | 0 | 0.8 | V | |
| V_{OH} | High-level output voltage ($I_{OH} = -4$ mA) | Commercial | 3.86 | - | V |
| V_{OL} | Low-level output voltage ($I_{OL} = +4$ mA) | | - | 0.32 | V |
| V_{OH} | High-level output voltage ($I_{OH} = -4$ mA) | Industrial | 3.76 | - | V |
| V_{OL} | Low-level output voltage ($I_{OL} = +4$ mA) | | - | 0.37 | V |
| I_{CCA} | Supply current, active mode at maximum frequency (XC1736E, XC1765E, XC17128E, and XC17256E) | - | 10 | mA | |
| I_{CCA} | Supply current, active mode at maximum frequency (XC1701) | - | 20 | mA | |
| I_{CCS} | Supply current, standby mode (XC1736E, XC1765E, XC17128E, and XC17256E) | - | 50 ⁽¹⁾ | μA | |
| I_{CCS} | Supply current, standby mode (XC1701) | - | 100 ⁽¹⁾ | μA | |
| I_L | Input or output leakage current | -10 | 10 | μA | |
| C_{IN} | Input capacitance ($V_{IN} = \text{GND}$, $f = 1.0$ MHz) | - | 10 | pF | |
| C_{OUT} | Output capacitance ($V_{IN} = \text{GND}$, $f = 1.0$ MHz) | - | 10 | pF | |

Notes:

- I_{CCS} standby current is specified for DATA pin that is pulled to V_{CC} or GND.

XC1704L, XC1702L, XC1701L, XC17512L, XC1765EL, XC17128EL and XC17256EL

Absolute Maximum Ratings

| Symbol | Description | Conditions | Units |
|-----------|----------------------------------|------------------------|-------|
| V_{CC} | Supply voltage relative to GND | -0.5 to +7.0 | V |
| V_{PP} | Supply voltage relative to GND | -0.5 to +12.5 | V |
| V_{IN} | Input voltage relative to GND | -0.5 to $V_{CC} + 0.5$ | V |
| V_{TS} | Voltage applied to High-Z output | -0.5 to $V_{CC} + 0.5$ | V |
| T_{STG} | Storage temperature (ambient) | -65 to +150 | °C |

Notes:

- Stresses beyond those listed under Absolute Maximum Ratings may cause permanent damage to the device. These are stress ratings only, and functional operation of the device at these or any other conditions beyond those listed under Operating Conditions is not implied. Exposure to Absolute Maximum Ratings conditions for extended periods of time may affect device reliability.

Operating Conditions (3V Supply)

| Symbol | Description | Min | Max | Units | |
|----------------|---|------------|-----|-------|---|
| $V_{CC}^{(1)}$ | Supply voltage relative to GND ($T_A = 0^\circ\text{C}$ to $+70^\circ\text{C}$) | Commercial | 3.0 | 3.6 | V |
| | Supply voltage relative to GND ($T_A = -40^\circ\text{C}$ to $+85^\circ\text{C}$) | Industrial | 3.0 | 3.6 | V |

Notes:

- During normal read operation V_{PP} *must* be connect to V_{CC} .

DC Characteristics Over Operating Condition

| Symbol | Description | Min | Max | Units |
|-----------|---|-----|--------------------|-------|
| V_{IH} | High-level input voltage | 2 | V_{CC} | V |
| V_{IL} | Low-level input voltage | 0 | 0.8 | V |
| V_{OH} | High-level output voltage ($I_{OH} = -3$ mA) | 2.4 | - | V |
| V_{OL} | Low-level output voltage ($I_{OL} = +3$ mA) | - | 0.4 | V |
| I_{CCA} | Supply current, active mode (at maximum frequency) (XC1700L) | - | 10 | mA |
| I_{CCA} | Supply current, active mode (at maximum frequency) (XC1765EL, XC17128EL, XC17256EL) | - | 5 | mA |
| I_{CCS} | Supply current, standby mode (XC1701L, XC17512L, XC17256L, X1765EL, XC17128EL) | - | 50 ⁽¹⁾ | μA |
| I_{CCS} | Supply current, standby mode (XC1702L, XC1704L) | - | 350 ⁽¹⁾ | μA |
| I_L | Input or output leakage current | -10 | 10 | μA |
| C_{IN} | Input capacitance ($V_{IN} = \text{GND}$, $f = 1.0$ MHz) | - | 10 | pF |
| C_{OUT} | Output capacitance ($V_{IN} = \text{GND}$, $f = 1.0$ MHz) | - | 10 | pF |

Notes:

- I_{CCS} standby current is specified for DATA pin that is pulled to V_{CC} or GND.

AC Characteristics Over Operating Condition



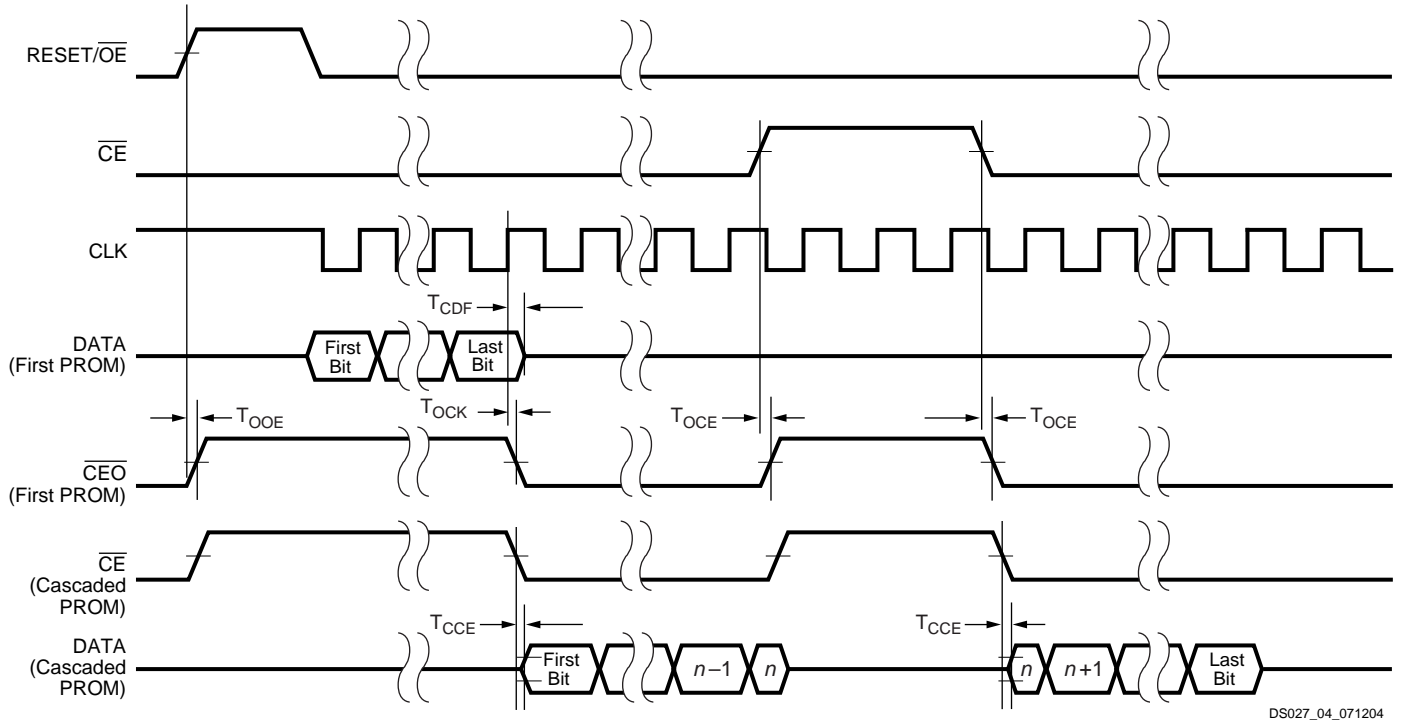
DS027_03_021500

| Symbol | Description | XC1701, XC17128E, XC17256E | | XC17128EL, XC17256EL, XC1704L, XC1702L, XC1701L, XC17512L | | XC1736E, XC1765E | | XC1765EL | | Units |
|-----------|--|----------------------------------|-----|--|-----|---------------------|-----|----------|-----|-------|
| | | Min | Max | Min | Max | Min | Max | Min | Max | |
| T_{OE} | \overline{OE} to data delay | - | 25 | - | 30 | - | 45 | - | 40 | ns |
| T_{CE} | \overline{CE} to data delay | - | 45 | - | 45 | - | 60 | - | 60 | ns |
| T_{CAC} | CLK to data delay | - | 45 | - | 45 | - | 80 | - | 200 | ns |
| T_{DF} | \overline{CE} or \overline{OE} to data float delay ^(2,3) | - | 50 | - | 50 | - | 50 | - | 50 | ns |
| T_{OH} | Data hold from \overline{CE} , \overline{OE} , or CLK ⁽³⁾ | 0 | - | 0 | - | 0 | - | 0 | - | ns |
| T_{CYC} | Clock periods | 67 | - | 67 | - | 100 | - | 400 | - | ns |
| T_{LC} | CLK Low time ⁽³⁾ | 20 | - | 25 | - | 50 | - | 100 | - | ns |
| T_{HC} | CLK High time ⁽³⁾ | 20 | - | 25 | - | 50 | - | 100 | - | ns |
| T_{SCE} | \overline{CE} setup time to CLK (to guarantee proper counting) | 20 | - | 25 | - | 25 | - | 40 | - | ns |
| T_{HCE} | \overline{CE} hold time to CLK (to guarantee proper counting) | 0 | - | 0 | - | 0 | - | 0 | - | ns |
| T_{HOE} | \overline{OE} hold time (guarantees counters are reset) | 20 | - | 25 | - | 100 | - | 100 | - | ns |

Notes:

- AC test load = 50 pF.
- Float delays are measured with 5 pF AC loads. Transition is measured at ± 200 mV from steady state active levels.
- Guaranteed by design, not tested.
- All AC parameters are measured with $V_{IL} = 0.0V$ and $V_{IH} = 3.0V$.

AC Characteristics Over Operating Condition When Cascading



| Symbol | Description | XC1701, XC17128E, XC17256E, XC1704L, XC1702L | | XC17128EL, XC17256EL, XC1701L, XC17512L | | XC1736E, XC1765E | | XC1765EL | | Units |
|-----------|---|--|-----|--|-----|---------------------|-----|----------|-----|-------|
| | | Min | Max | Min | Max | Min | Max | Min | Max | |
| T_{CDF} | CLK to data float delay ^(2,3) | – | 50 | – | 50 | – | 50 | – | 50 | ns |
| T_{OCK} | CLK to \overline{CEO} delay ⁽³⁾ | – | 30 | – | 30 | – | 30 | – | 30 | ns |
| T_{OCE} | CE to \overline{CEO} delay ⁽³⁾ | – | 35 | – | 35 | – | 35 | – | 35 | ns |
| T_{OOE} | RESET/ \overline{OE} to \overline{CEO} delay ⁽³⁾ | – | 30 | – | 30 | – | 30 | – | 30 | ns |
| T_{CCE} | CE to data delay when cascading | – | 45 | – | 90 | – | 60 | – | 110 | ns |

Notes:

1. AC test load = 50 pF.
2. Float delays are measured with 5 pF AC loads. Transition is measured at ± 200 mV from steady state active levels.
3. Guaranteed by design, not tested.
4. All AC parameters are measured with $V_{IL} = 0.0V$ and $V_{IH} = 3.0V$.
5. For cascaded PROMs:
 - $T_{CYC} \text{ min} = T_{OCK} + T_{CCE} + \text{FPGA data setup time } (T_{DCC}/T_{DSCK})$.*Example:* If the XC1701L is cascaded to configure an FPGA $T_{DCC} = 5$ sec, then the actual $T_{CYC} \text{ min} = 30 \text{ ns} + 90 \text{ ns} + 5 \text{ ns} = 125 \text{ ns}$, or max CLK frequency = 8 MHz.
 - $T_{CAC} \text{ max} = T_{OCK} + T_{CCE}$.*Example:* For the XC1701L when cascading, the actual $T_{CAC} \text{ max} = 30 \text{ ns} + 90 \text{ ns} = 120 \text{ ns}$.

Ordering Information

XC1701L PC20 C

Device Number

XC1736E
 XC1765E
 XC1765EL
 XC17128E
 XC17128EL
 XC17256E
 XC17256EL
 XC17512L
 XC1701
 XC1701L
 XC1704L
 XC1702L

Package Type⁽¹⁾

PD8/PDG8 = 8-pin Plastic DIP
 SO8/SOG8 = 8-pin Plastic Small-Outline Package
 VO8/VOG8 = 8-pin Plastic Small-Outline Thin Package
 SO20 = 20-pin Plastic Small-Outline Package
 PC20/PCG20 = 20-pin Plastic Leaded Chip Carrier
 VQ44 = 44-pin Plastic Quad Flat Package
 PC44 = 44-pin Plastic Chip Carrier

Operating Range/Processing

C = Commercial (T_A = 0° to +70°C)
 I = Industrial (T_A = -40° to +85°C)

Notes:

1. G in the package-type codes designates Pb-free packaging.

Valid Ordering Combinations

| | | | | | |
|--------------|---------------|----------------|----------------|---------------|---------------|
| XC1736EPD8C | XC1765EPD8C | XC17128EPD8C | XC17256EPD8C | XC1701PD8C | XC1702LVQ44C |
| XC1736EPDG8C | XC1765EPDG8C | XC17128EPDG8C | XC17256EPDG8C | XC1701PC20C | XC1702LPC44C |
| XC1736ESO8C | XC1765ESO8C | XC17128EVO8C | XC17256EVO8C | XC1701SO20C | XC1704LVQ44C |
| XC1736ESOG8C | XC1765ESOG8C | XC17128EVOG8C | XC17256EPC20C | XC1701PD8I | XC1704LPC44C |
| XC1736EVO8C | XC1765EVO8C | XC17128EPC20C | XC17256EPCG20C | | |
| XC1736EVOG8C | XC1765EPC20C | XC17128EPCG20C | | | |
| XC1736EPC20C | | XC17128EPD8I | | | |
| XC1736EPD8I | XC1765EPD8I | XC17128EVO8I | XC17256EPD8I | XC1701PC20I | XC1702LVQ44I |
| XC1736ESO8I | XC1765ESO8I | XC17128EPC20I | XC17256EVO8I | XC1701SO20I | XC1702LPC44I |
| XC1736EVO8I | XC1765EVO8I | | XC17256EPC20I | | XC1704LVQ44I |
| XC1736EPC20I | XC1765EPC20I | | | | XC1704LPC44I |
| | XC1765ELPD8C | XC17128ELPD8C | XC17256ELPD8C | XC1701LPD8C | XC17512LPD8C |
| | XC1765ELSO8C | XC17128ELVO8C | XC17256ELVO8C | XC1701LPDG8C | XC17512LPC20C |
| | XC1765ELSOG8C | XC17128ELPC20C | XC17256ELPC20C | XC1701LPC20C | XC17512LSO20C |
| | XC1765ELVO8C | XC17128ELPD8I | XC17256ELPD8I | XC1701LPCG20C | XC17512LPD8I |
| | XC1765ELVOG8C | XC17128ELVO8I | XC17256ELVO8I | XC1701LSO20C | XC17512LPC20I |
| | XC1765ELPC20C | XC17128ELPC20I | XC17256ELPC20I | XC1701LPD8I | XC17512LSO20I |
| | XC1765ELPD8I | | | XC1701LPDG8I | |
| | XC1765ELSO8I | | | XC1701LPC20I | |
| | XC1765ELVO8I | | | XC1701LPCG20I | |
| | XC1765ELPC20I | | | XC1701LSO20I | |

Marking Information

Due to the small size of the commercial serial PROM packages, the complete ordering part number cannot be marked on the package. The XC prefix is deleted and the package code is simplified. Device marking is as follows:



Notes:

1. When marking the device number on the EL parts, an X is used in place of an EL.
2. For XC1700E/EL only.
3. For XC1700L only.

Revision History

The following table shows the revision history for this document.

| Date | Version | Revision |
|----------|---------|--|
| 7/14/98 | 1.1 | Major revisions to include the XC1704L, XC1702L, and the XQ1701L devices, packages and operating conditions. Also revised the timing specifications under " AC Characteristics Over Operating Condition ," page 9 . |
| 9/8/98 | 2.0 | Revised the marking information for the VQ44. Updated " DC Characteristics Over Operating Condition ," page 7 . Added references to the XC4000XLA and XC4000XV families in " Xilinx FPGAs and Compatible PROMs ," page 4 and Figure 2, page 6 . |
| 12/18/98 | 2.1 | Added Virtex [®] FPGAs to " Xilinx FPGAs and Compatible PROMs ," page 4 . Added the PC44 package for the XC1702L and XC1704L products. |
| 1/27/99 | 2.2 | Changed Military I _{CCS} . |
| 7/8/99 | 2.3 | Changed I _{CCS} standby on XC1702/XC1704 from 50 μA to 300 μA. |
| 3/30/00 | 3.0 | Combined data sheets XC1700E and XC1700L. Added DS027, removed Military Specs. Added Virtex-E and EM references. |
| 07/05/00 | 3.1 | Added 4.7K resistor to Figure 2 , updated format. |
| 09/07/04 | 3.2 | <ul style="list-style-type: none"> • Updated "Xilinx FPGAs and Compatible PROMs," page 4 and "Absolute Maximum Ratings," page 7. Added "Pinout Diagrams," page 3. • Added footnote to table in "AC Characteristics Over Operating Condition When Cascading," page 10, defining T_{CCE} when cascading, and redrew associated timing diagram. |

| | | |
|----------|-----|---|
| 06/13/05 | 3.3 | <ul style="list-style-type: none"> • Changed pinout diagrams to include Pb-free packages on "Pinout Diagrams," page 3. • Deleted T_{SOL} from the under "Absolute Maximum Ratings," page 7. • Added VOG8 and PCG20 to "Ordering Information," page 11. Added XC1765ELVOG8C and XC17256EPCG20 to "Valid Ordering Combinations," page 11. Added new packages types under "Marking Information," page 12. |
| 07/09/07 | 3.4 | <ul style="list-style-type: none"> • Added Pb-free packages to "PROM Pinouts," page 2. • Note added to Table 1, page 5. • Under "XC1701, XC1736E, XC1765E, XC17128E and XC17256E", note added to "DC Characteristics Over Operating Condition," page 7 and corrected XC1701 I_{CCA} value. • Under "XC1704L, XC1702L, XC1701L, XC17512L, XC1765EL, XC17128EL and XC17256EL", note added to "DC Characteristics Over Operating Condition," page 8. • Added SOG package to "Ordering Information," page 11. • Added Pb-free order codes to "Valid Ordering Combinations," page 11. • Added package type E to "Marking Information," page 12. |
| 06/25/08 | 3.5 | <ul style="list-style-type: none"> • Updated "Absolute Maximum Ratings," page 7, added junction temperature rating. • Updated document template. • Updated copyright statement. • Added "Notice of Disclaimer," page 13. |

Notice of Disclaimer

THE XILINX HARDWARE FPGA AND CPLD DEVICES REFERRED TO HEREIN ("PRODUCTS") ARE SUBJECT TO THE TERMS AND CONDITIONS OF THE XILINX LIMITED WARRANTY WHICH CAN BE VIEWED AT <http://www.xilinx.com/warranty.htm>. THIS LIMITED WARRANTY DOES NOT EXTEND TO ANY USE OF PRODUCTS IN AN APPLICATION OR ENVIRONMENT THAT IS NOT WITHIN THE SPECIFICATIONS STATED IN THE XILINX DATA SHEET. ALL SPECIFICATIONS ARE SUBJECT TO CHANGE WITHOUT NOTICE. PRODUCTS ARE NOT DESIGNED OR INTENDED TO BE FAIL-SAFE OR FOR USE IN ANY APPLICATION REQUIRING FAIL-SAFE PERFORMANCE, SUCH AS LIFE-SUPPORT OR SAFETY DEVICES OR SYSTEMS, OR ANY OTHER APPLICATION THAT INVOKES THE POTENTIAL RISKS OF DEATH, PERSONAL INJURY, OR PROPERTY OR ENVIRONMENTAL DAMAGE ("CRITICAL APPLICATIONS"). USE OF PRODUCTS IN CRITICAL APPLICATIONS IS AT THE SOLE RISK OF CUSTOMER, SUBJECT TO APPLICABLE LAWS AND REGULATIONS.

OUR CERTIFICATE

DiGi provide top-quality products and perfect service for customer worldwide through standardization, technological innovation and continuous improvement. DiGi through third-party certification, we strictly control the quality of products and services. Welcome your RFQ to

Email: Info@DiGi-Electronics.com



Tel: +00 852-30501935

RFQ Email: Info@DiGi-Electronics.com

DiGi is a global authorized distributor of electronic components.