

XC18V02PCG44C0100 Datasheet

www.digi-electronics.com



XC18V02PCG44C0100

<https://www.DiGi-Electronics.com>

| | |
|------------------------------|-----------------------------------|
| DiGi Electronics Part Number | XC18V02PCG44C0100-DG |
| Manufacturer | AMD |
| Manufacturer Product Number | XC18V02PCG44C0100 |
| Description | XC18V02PCG44C0100 |
| Detailed Description | Memory, Integrated Circuits (ICs) |



Tel: +00 852-30501935

RFQ Email: Info@DiGi-Electronics.com

DiGi is a global authorized distributor of electronic components.

Purchase and inquiry

Manufacturer Product Number:

XC18V02PCG44C0100

Series:

-

DiGi-Electronics Programmable:

Not Verified

Memory Size:

2MB

Operating Temperature:

0°C ~ 70°C

Package / Case:

44-LCC (J-Lead)

Manufacturer:

AMD

Product Status:

Obsolete

Programmable Type:

In System Programmable

Voltage - Supply:

3V ~ 3.6V

Mounting Type:

Surface Mount

Supplier Device Package:

44-PLCC (16.59x16.59)

Environmental & Export classification

RoHS Status:

ROHS3 Compliant

ECCN:

3A991B1B1

REACH Status:

REACH Unaffected

HTSUS:

8542.32.0071



XC18V00 Series In-System-Programmable Configuration PROMs

DS026 (v6.0) August 5, 2015

Product Specification

Features

- In-System Programmable 3.3V PROMs for Configuration of Xilinx FPGAs
 - ◆ Endurance of 20,000 Program/Erase Cycles
 - ◆ Program/Erase Over Full Industrial Voltage and Temperature Range (–40°C to +85°C)
- IEEE Std 1149.1 Boundary-Scan (JTAG) Support
- JTAG Command Initiation of Standard FPGA Configuration
- Simple Interface to the FPGA
- Cascadable for Storing Longer or Multiple Bitstreams
- Low-Power Advanced CMOS FLASH Process
- Dual Configuration Modes
 - ◆ Serial Slow/Fast Configuration (up to 33 MHz)
 - ◆ Parallel (up to 264 Mb/s at 33 MHz)
- 5V-Tolerant I/O Pins Accept 5V, 3.3V and 2.5V Signals
- 3.3V or 2.5V Output Capability
- Design Support Using the Xilinx ISE™ Foundation™ Software Packages
- Available in PC20, SO20, PC44, and VQ44 Packages
- Lead-Free (Pb-Free) Packaging

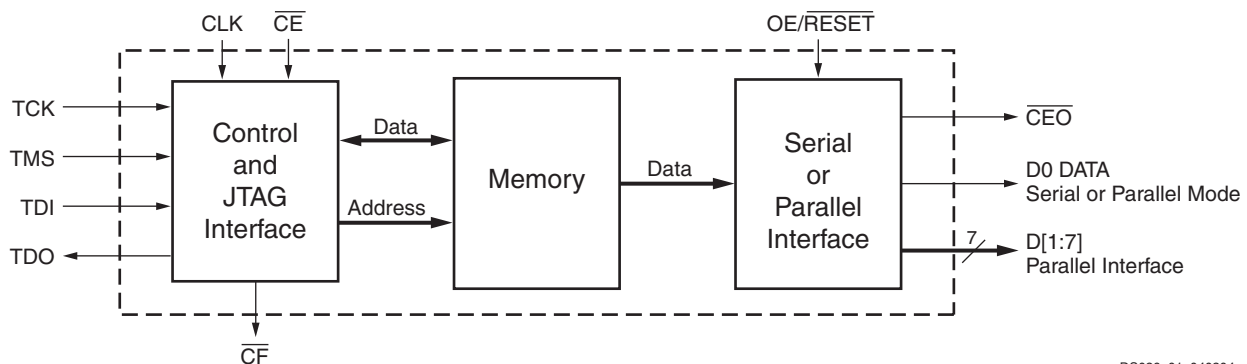
Description

Xilinx introduces the XC18V00 series of in-system programmable configuration PROMs (Figure 1). Devices in this 3.3V family include a 4-megabit, a 2-megabit, a 1-megabit, and a 512-kilobit PROM that provide an easy-to-use, cost-effective method for reprogramming and storing Xilinx FPGA configuration bitstreams.

When the FPGA is in Master Serial mode, it generates a configuration clock that drives the PROM. A short access time after \overline{CE} and OE are enabled, data is available on the PROM DATA (D0) pin that is connected to the FPGA DIN pin. New data is available a short access time after each rising clock edge. The FPGA generates the appropriate number of clock pulses to complete the configuration. When the FPGA is in Slave Serial mode, the PROM and the FPGA are clocked by an external clock.

When the FPGA is in Master SelectMAP mode, the FPGA generates a configuration clock that drives the PROM. When the FPGA is in Slave Parallel or Slave SelectMAP mode, an external oscillator generates the configuration clock that drives the PROM and the FPGA. After \overline{CE} and OE are enabled, data is available on the PROM's DATA (D0-D7) pins. New data is available a short access time after each rising clock edge. The data is clocked into the FPGA on the following rising edge of the CCLK. A free-running oscillator can be used in the Slave Parallel or Slave SelectMAP modes.

Multiple devices can be cascaded by using the \overline{CEO} output to drive the \overline{CE} input of the following device. The clock inputs and the DATA outputs of all PROMs in this chain are interconnected. All devices are compatible and can be cascaded with other members of the family or with the XC17V00 one-time programmable serial PROM family.



DS026_01_040204

Figure 1: XC18V00 Series Block Diagram

Pinout and Pin Description

Table 1 provides a list of the pin names and descriptions for the 44-pin VQFP and PLCC and the 20-pin SOIC and PLCC packages.

Table 1: Pin Names and Descriptions

| Pin Name | Boundary-Scan Order | Function | Pin Description | 44-pin VQFP | 44-pin PLCC | 20-pin SOIC & PLCC |
|------------|---------------------|---------------|---|-------------|-------------|--------------------|
| D0 | 4 | DATA OUT | D0 is the DATA output pin to provide data for configuring an FPGA in serial mode. | 40 | 2 | 1 |
| | 3 | OUTPUT ENABLE | | | | |
| D1 | 6 | DATA OUT | D0-D7 are the output pins to provide parallel data for configuring a Xilinx FPGA in Slave Parallel/SelectMAP mode. D1-D7 remain in high-Z state when the PROM operates in serial mode. | 29 | 35 | 16 |
| | 5 | OUTPUT ENABLE | | | | |
| D2 | 2 | DATA OUT | D1-D7 can be left unconnected when the PROM is used in serial mode. | 42 | 4 | 2 |
| | 1 | OUTPUT ENABLE | | | | |
| D3 | 8 | DATA OUT | | 27 | 33 | 15 |
| | 7 | OUTPUT ENABLE | | | | |
| D4 | 24 | DATA OUT | | 9 | 15 | 7 ⁽¹⁾ |
| | 23 | OUTPUT ENABLE | | | | |
| D5 | 10 | DATA OUT | | 25 | 31 | 14 |
| | 9 | OUTPUT ENABLE | | | | |
| D6 | 17 | DATA OUT | | 14 | 20 | 9 |
| | 16 | OUTPUT ENABLE | | | | |
| D7 | 14 | DATA OUT | | 19 | 25 | 12 |
| | 13 | OUTPUT ENABLE | | | | |
| CLK | 0 | DATA IN | Each rising edge on the CLK input increments the internal address counter if both \overline{CE} is Low and $OE/RESET$ is High. | 43 | 5 | 3 |
| $OE/RESET$ | 20 | DATA IN | When Low, this input holds the address counter reset and the DATA output is in a high-Z state. This is a bidirectional open-drain pin that is held Low while the PROM is reset. Polarity is NOT programmable. | 13 | 19 | 8 |
| | 19 | DATA OUT | | | | |
| | 18 | OUTPUT ENABLE | | | | |
| CE | 15 | DATA IN | When \overline{CE} is High, the device is put into low-power standby mode, the address counter is reset, and the DATA pins are put in a high-Z state. | 15 | 21 | 10 |
| CF | 22 | DATA OUT | Allows JTAG CONFIG instruction to initiate FPGA configuration without powering down FPGA. This is an open-drain output that is pulsed Low by the JTAG CONFIG command. | 10 | 16 | 7 ⁽¹⁾ |
| | 21 | OUTPUT ENABLE | | | | |

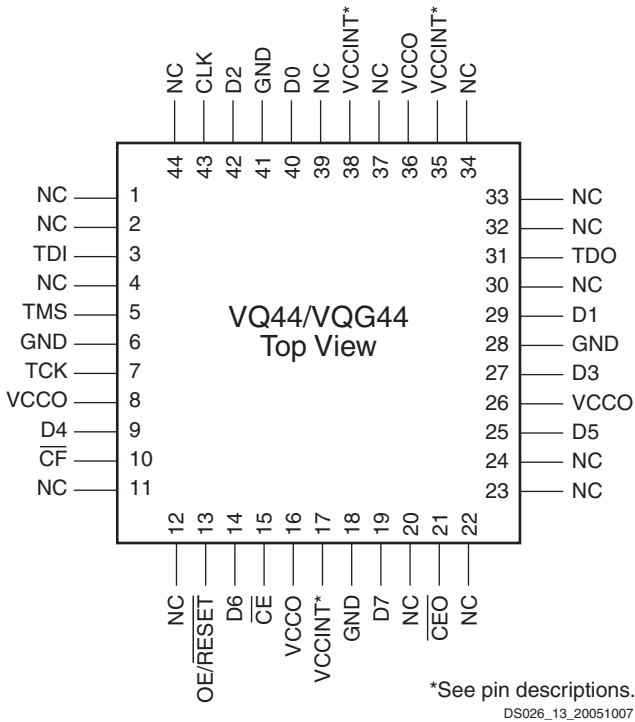
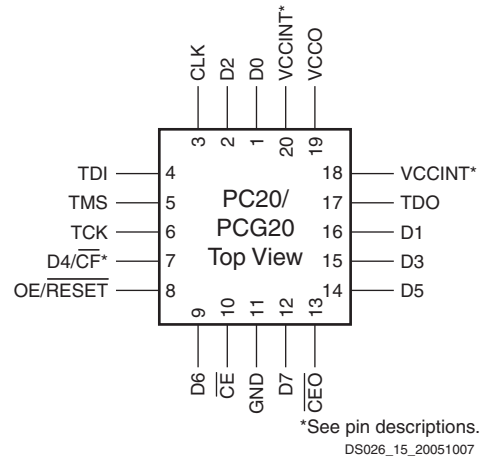
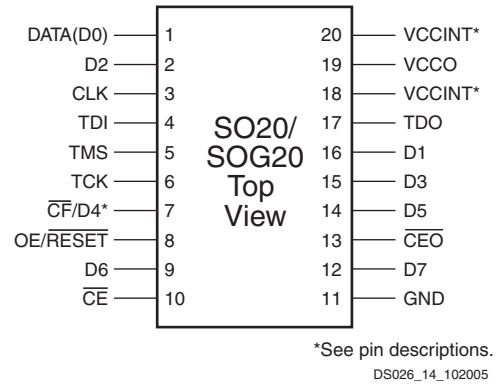
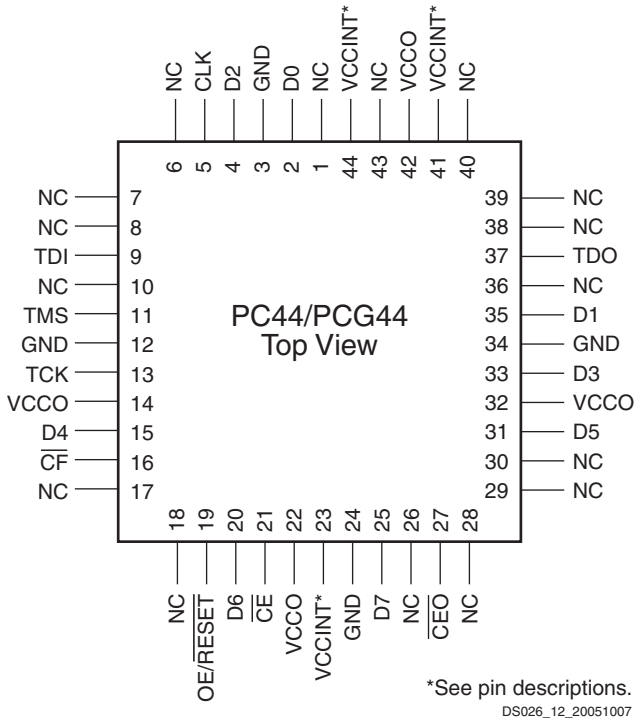
Table 1: Pin Names and Descriptions (Cont'd)

| Pin Name | Boundary-Scan Order | Function | Pin Description | 44-pin VQFP | 44-pin PLCC | 20-pin SOIC & PLCC |
|--------------------|---------------------|---------------|---|---|--|------------------------|
| GEO | 12 | DATA OUT | Chip Enable Output (\overline{CEO}) is connected to the \overline{CE} input of the next PROM in the chain. This output is Low when \overline{CE} is Low and OE/RESET input is High, AND the internal address counter has been incremented beyond its Terminal Count (TC) value. \overline{CEO} returns to High when OE/RESET goes Low or \overline{CE} goes High. | 21 | 27 | 13 |
| | 11 | OUTPUT ENABLE | | | | |
| GND | | | GND is the ground connection. | 6, 18, 28 & 41 | 3, 12, 24 & 34 | 11 |
| TMS | | MODE SELECT | The state of TMS on the rising edge of TCK determines the state transitions at the Test Access Port (TAP) controller. TMS has an internal 50 k Ω resistive pull-up to provide a logic 1 to the device if the pin is not driven. | 5 | 11 | 5 |
| TCK | | CLOCK | This pin is the JTAG test clock. It sequences the TAP controller and all the JTAG test and programming electronics. | 7 | 13 | 6 |
| TDI | | DATA IN | This pin is the serial input to all JTAG instruction and data registers. TDI has an internal 50 k Ω resistive pull-up to provide a logic 1 to the device if the pin is not driven. | 3 | 9 | 4 |
| TDO | | DATA OUT | This pin is the serial output for all JTAG instruction and data registers. TDO has an internal 50 k Ω resistive pull-up to provide a logic 1 to the system if the pin is not driven. | 31 | 37 | 17 |
| V _{CCINT} | | | Positive 3.3V supply voltage for internal logic. | 17, 35 & 38 ⁽³⁾ | 23, 41 & 44 ⁽³⁾ | 18 & 20 ⁽³⁾ |
| V _{CCO} | | | Positive 3.3V or 2.5V supply voltage connected to the input buffers ⁽²⁾ and output voltage drivers. | 8, 16, 26 & 36 | 14, 22, 32 & 42 | 19 |
| NC | | | No connects. | 1, 2, 4, 11, 12, 20, 22, 23, 24, 30, 32, 33, 34, 37, 39, 44 | 1, 6, 7, 8, 10, 17, 18, 26, 28, 29, 30, 36, 38, 39, 40, 43 | |

Notes:

1. By default, pin 7 is the D4 pin in the 20-pin packages. However, CF → D4 programming option can be set to override the default and route the CF function to pin 7 in the Serial mode.
2. For devices with IDCODES 0502x093h, the input buffers are supplied by V_{CCINT}.
3. For devices with IDCODES 0503x093h, the following V_{CCINT} pins are no-connects: pin 38 in 44-pin VQFP package, pin 44 in 44-pin PLCC package, and pin 20 in 20-pin SOIC and 20-pin PLCC packages.

Pinout Diagrams



Xilinx FPGAs and Compatible PROMs

Table 2 provides a list of Xilinx FPGAs and compatible PROMs.

Table 2: Xilinx FPGAs and Compatible PROMs

| Device | Configuration Bits | XC18V00 Solution |
|----------|--------------------|-------------------------|
| XC2VP2 | 1,305,376 | XC18V02 |
| XC2VP4 | 3,006,496 | XC18V04 |
| XC2VP7 | 4,485,408 | XC18V04 + XC18V512 |
| XC2VP20 | 8,214,560 | 2 of XC18V04 |
| XC2VP30 | 11,589,920 | 3 of XC18V04 |
| XC2VP40 | 15,868,192 | 4 of XC18V04 |
| XC2VP50 | 19,021,344 | 5 of XC18V04 |
| XC2VP70 | 26,098,976 | 6 of XC18V04 + XC18V512 |
| XC2VP100 | 34,292,768 | 8 of XC18V04 + XC18V512 |
| XC2V40 | 470,048 | XC18V512 |
| XC2V80 | 732,576 | XC18V01 |
| XC2V250 | 1,726,880 | XC18V02 |
| XC2V500 | 2,767,520 | XC18V04 |
| XC2V1000 | 4,089,504 | XC18V04 |
| XC2V1500 | 5,667,488 | XC18V04 + XC18V02 |
| XC2V2000 | 7,501,472 | 2 of XC18V04 |
| XC2V3000 | 10,505,120 | 3 of XC18V04 |
| XC2V4000 | 15,673,248 | 4 of XC18V04 |
| XC2V6000 | 21,865,376 | 5 of XC18V04 + XC18V02 |
| XC2V8000 | 29,081,504 | 7 of XC18V04 |
| XCV50 | 559,200 | XC18V01 |
| XCV100 | 781,216 | XC18V01 |
| XCV150 | 1,040,096 | XC18V01 |
| XCV200 | 1,335,840 | XC18V02 |
| XCV300 | 1,751,808 | XC18V02 |
| XCV400 | 2,546,048 | XC18V04 |
| XCV600 | 3,607,968 | XC18V04 |
| XCV800 | 4,715,616 | XC18V04 + XC18V512 |
| XCV1000 | 6,127,744 | XC18V04 + XC18V02 |
| XCV50E | 630,048 | XC18V01 |
| XCV100E | 863,840 | XC18V01 |
| XCV200E | 1,442,016 | XC18V02 |
| XCV300E | 1,875,648 | XC18V02 |
| XCV400E | 2,693,440 | XC18V04 |
| XCV405E | 3,430,400 | XC18V04 |

Table 2: Xilinx FPGAs and Compatible PROMs (Cont'd)

| Device | Configuration Bits | XC18V00 Solution |
|----------|--------------------|------------------------|
| XCV600E | 3,961,632 | XC18V04 |
| XCV812E | 6,519,648 | 2 of XC18V04 |
| XCV1000E | 6,587,520 | 2 of XC18V04 |
| XCV1600E | 8,308,992 | 2 of XC18V04 |
| XCV2000E | 10,159,648 | 3 of XC18V04 |
| XCV2600E | 12,922,336 | 4 of XC18V04 |
| XCV3200E | 16,283,712 | 4 of XC18V04 |
| XC2S15 | 197,696 | XC18V512 |
| XC2S30 | 336,768 | XC18V512 |
| XC2S50 | 559,200 | XC18V01 |
| XC2S100 | 781,216 | XC18V01 |
| XC2S150 | 1,040,096 | XC18V01 |
| XC2S200 | 1,335,840 | XC18V02 |
| XC2S50E | 630,048 | XC18V01 |
| XC2S100E | 863,840 | XC18V01 |
| XC2S150E | 1,134,496 | XC18V02 |
| XC2S200E | 1,442,016 | XC18V02 |
| XC2S300E | 1,875,648 | XC18V02 |
| XC2S400E | 2,693,440 | XC18V04 |
| XC2S600E | 3,961,632 | XC18V04 |
| XC3S50 | 439,264 | XC18V512 |
| XC3S200 | 1,047,616 | XC18V01 |
| XC3S400 | 1,699,136 | XC18V02 |
| XC3S1000 | 3,223,488 | XC18V04 |
| XC3S1500 | 5,214,784 | XC18V04 + XC18V01 |
| XC3S2000 | 7,673,024 | 2 of XC18V04 |
| XC3S4000 | 11,316,864 | 3 of XC18V04 |
| XC3S5000 | 13,271,936 | 3 of XC18V04 + XC18V01 |

Capacity

| Devices | Configuration Bits |
|----------|--------------------|
| XC18V04 | 4,194,304 |
| XC18V02 | 2,097,152 |
| XC18V01 | 1,048,576 |
| XC18V512 | 524,288 |

In-System Programming

In-System Programmable PROMs can be programmed individually, or two or more can be chained together and programmed in-system via the standard 4-pin JTAG protocol as shown in Figure 2. In-system programming offers quick and efficient design iterations and eliminates unnecessary package handling or socketing of devices. The Xilinx development system provides the programming data sequence using either Xilinx iMPACT software and a download cable, a third-party JTAG development system, a JTAG-compatible board tester, or a simple microprocessor interface that emulates the JTAG instruction sequence. The iMPACT software also outputs serial vector format (SVF) files for use with any tools that accept SVF format and with automatic test equipment.

All outputs are held in a high-Z state or held at clamp levels during in-system programming.

OE/RESET

The ISP programming algorithm requires issuance of a reset that causes OE to go Low.

External Programming

Xilinx reprogrammable PROMs can also be programmed by a third-party device programmer, providing the added flexibility of using pre-programmed devices with an in-

system programmable option for future enhancements and design changes.

Reliability and Endurance

Xilinx in-system programmable products provide a guaranteed endurance level of 20,000 in-system program/erase cycles and a minimum data retention of 20 years. Each device meets all functional, performance, and data retention specifications within this endurance limit. See the UG116, *Xilinx Device Reliability Report*, for device quality, reliability, and process node information.

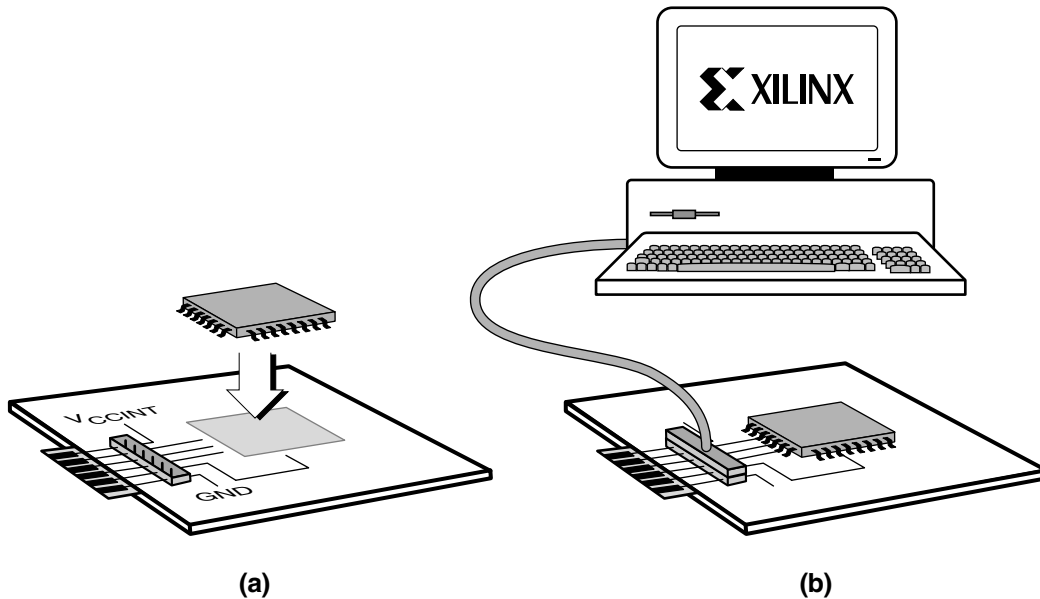
Design Security

The Xilinx in-system programmable PROM devices incorporate advanced data security features to fully protect the programming data against unauthorized reading via JTAG. Table 3 shows the security setting available.

The read security bit can be set by the user to prevent the internal programming pattern from being read or copied via JTAG. When set, it allows device erase. Erasing the entire device is the only way to reset the read security bit.

Table 3: Data Security Options

| Reset | Set |
|---|--|
| Read Allowed Program/Erase Allowed Verify Allowed | Read Inhibited via JTAG Program/Erase Allowed Verify Inhibited |



DS026_02_06/1103

Figure 2: In-System Programming Operation (a) Solder Device to PCB and (b) Program Using Download Cable

IEEE 1149.1 Boundary-Scan (JTAG)

The XC18V00 family is fully compliant with the IEEE Std. 1149.1 Boundary-Scan, also known as JTAG. A Test Access Port (TAP) and registers are provided to support all required Boundary-Scan instructions, as well as many of the optional instructions specified by IEEE Std. 1149.1. In addition, the JTAG interface is used to implement in-system programming (ISP) to facilitate configuration, erasure, and verification operations on the XC18V00 device.

Table 4 lists the required and optional Boundary-Scan instructions supported in the XC18V00. Refer to the IEEE Std. 1149.1 specification for a complete description of Boundary-Scan architecture and the required and optional instructions.

Table 4: Boundary-Scan Instructions

| Boundary-Scan Command | Binary Code [7:0] | Description |
|---------------------------------------|-------------------|--|
| Required Instructions: | | |
| BYPASS | 11111111 | Enables BYPASS |
| SAMPLE/PRELOAD | 00000001 | Enables Boundary-Scan SAMPLE/PRELOAD operation |
| EXTEST | 00000000 | Enables Boundary-Scan EXTEST operation |
| Optional Instructions: | | |
| CLAMP | 11111010 | Enables Boundary-Scan CLAMP operation |
| HIGHZ | 11111100 | All outputs in high-Z state simultaneously |
| IDCODE | 11111110 | Enables shifting out 32-bit IDCODE |
| USERCODE | 11111101 | Enables shifting out 32-bit USERCODE |
| XC18V00 Specific Instructions: | | |
| CONFIG | 11101110 | Initiates FPGA configuration by pulsing \overline{CF} pin Low once |

Instruction Register

The Instruction Register (IR) for the XC18V00 is eight bits wide and is connected between TDI and TDO during an instruction scan sequence. In preparation for an instruction scan sequence, the instruction register is parallel loaded with a fixed instruction capture pattern. This pattern is shifted out onto TDO (LSB first), while an instruction is shifted into the instruction register from TDI. The detailed composition of the instruction capture pattern is illustrated in Figure 3.

The ISP Status field, IR(4), contains logic “1” if the device is currently in ISP mode; otherwise, it contains logic “0”. The Security field, IR(3), contains logic “1” if the device has been programmed with the security option turned on; otherwise, it contains logic “0”.



Notes:

- IR[1:0] = 01 is specified by IEEE Std. 1149.1

Figure 3: Instruction Register Values Loaded into IR as Part of an Instruction Scan Sequence

Boundary-Scan Register

The Boundary-Scan register is used to control and observe the state of the device pins during the EXTEST, SAMPLE/PRELOAD, and CLAMP instructions. Each output pin on the XC18V00 has two register stages that contribute to the Boundary-Scan register, while each input pin only has one register stage.

For each output pin, the register stage nearest to TDI controls and observes the output state, and the second stage closest to TDO controls and observes the high-Z enable state of the pin.

For each input pin, the register stage controls and observes the input state of the pin.

Identification Registers

The IDCODE is a fixed, vendor-assigned value that is used to electrically identify the manufacturer and type of the device being addressed. The IDCODE register is 32 bits wide. The IDCODE register can be shifted out for examination by using the IDCODE instruction. The IDCODE is available to any other system component via JTAG.

See Table 5 for the XC18V00 IDCODE values.

The IDCODE register has the following binary format:

v v v v : f f f f : f f f f : a a a a : a a a a : c c c c : c c c c : c c c 1

where

- v = the die version number
- f = the family code (50h for XC18V00 family)
- a = the ISP PROM product ID (26h or 36h for the XC18V04)
- c = the company code (49h for Xilinx)

Note: The LSB of the IDCODE register is always read as logic “1” as defined by IEEE Std. 1149.1.

Table 5 lists the IDCODE register values for XC18V00 devices.

Table 5: IDCODES Assigned to XC18V00 Devices

| ISP-PROM | IDCODE |
|----------|--------------------------|
| XC18V01 | 05024093h or <v>5034093h |
| XC18V02 | 05025093h or <v>5035093h |
| XC18V04 | 05026093h or <v>5036093h |
| XC18V512 | 05023093h or <v>5033093h |

Notes:

- The <v> in the IDCODE field represents the device’s revision code (in hex), and may vary.

The USERCODE instruction gives access to a 32-bit user programmable scratch pad typically used to supply information about the device’s programmed contents. By using the USERCODE instruction, a user-programmable identification code can be shifted out for examination. This code is loaded into the USERCODE register during programming of the XC18V00 device. If the device is blank or was not loaded during programming, the USERCODE register contains FFFFFFFh.

XC18V00 TAP Characteristics

The XC18V00 family performs both in-system programming and IEEE 1149.1 Boundary-Scan (JTAG) testing via a single four-wire Test Access Port (TAP). This simplifies system designs and allows standard Automatic Test Equipment to perform both functions. The AC characteristics of the XC18V00 TAP are described as follows.

TAP Timing

Figure 4 shows the timing relationships of the TAP signals. These TAP timing characteristics are identical for both Boundary-Scan and ISP operations.

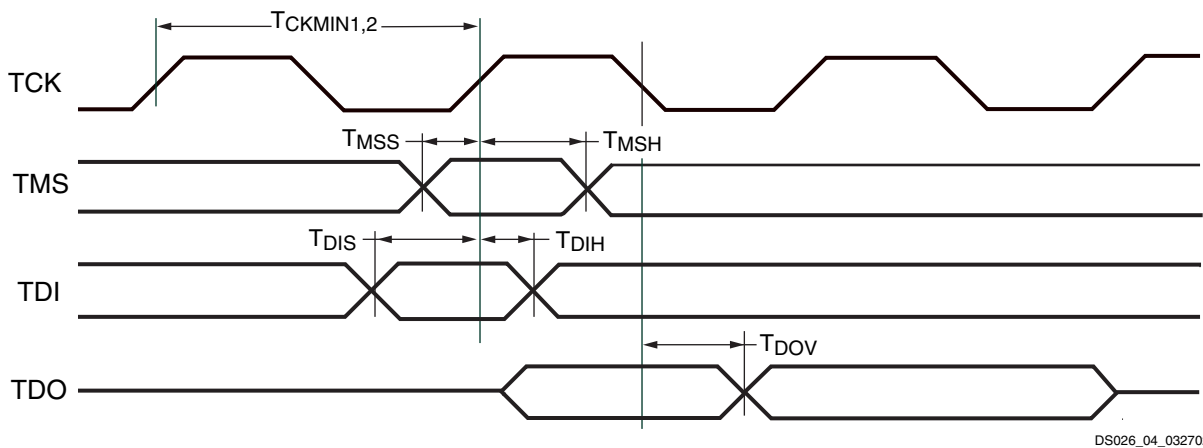


Figure 4: Test Access Port Timing

TAP AC Parameters

Table 6 shows the timing parameters for the TAP waveforms shown in Figure 4.

Table 6: Test Access Port Timing Parameters

| Symbol | Parameter | Min | Max | Units |
|--------------|---------------------------------------|-----|-----|-------|
| T_{CKMIN1} | TCK minimum clock period | 100 | – | ns |
| T_{CKMIN2} | TCK minimum clock period, Bypass mode | 50 | – | ns |
| T_{MSS} | TMS setup time | 10 | – | ns |
| T_{MSH} | TMS hold time | 25 | – | ns |
| T_{DIS} | TDI setup time | 10 | – | ns |
| T_{DIH} | TDI hold time | 25 | – | ns |
| T_{DOV} | TDO valid delay | – | 25 | ns |

Connecting Configuration PROMs

Connecting the FPGA device with the configuration PROM (see [Figure 5](#) and [Figure 6](#)).

- The DATA output(s) of the PROM(s) drives the DIN input of the lead FPGA device.
- The Master FPGA CCLK output drives the CLK input(s) of the PROM(s) (in Master Serial and Master SelectMAP modes only).
- The \overline{CEO} output of a PROM drives the \overline{CE} input of the next PROM in a daisy chain (if any).
- The $\overline{OE}/\overline{RESET}$ pins of all PROMs are connected to the \overline{INIT} pins of all FPGA devices. This connection assures that the PROM address counter is reset before the start of any (re)configuration, even when a reconfiguration is initiated by a V_{CCINT} glitch.
- The PROM \overline{CE} input can be driven from the DONE pin. The \overline{CE} input of the first (or only) PROM can be driven by the DONE output of all target FPGA devices, provided that DONE is not permanently grounded. \overline{CE} can also be permanently tied Low, but this keeps the DATA output active and causes an unnecessary supply current of 10 mA maximum.
- Slave Parallel/SelectMap mode is similar to slave serial mode. The DATA is clocked out of the PROM one byte per CCLK instead of one bit per CCLK cycle. See FPGA data sheets for special configuration requirements.

Initiating FPGA Configuration

The XC18V00 devices incorporate a pin named \overline{CF} that is controllable through the JTAG CONFIG instruction. Executing the CONFIG instruction through JTAG pulses the \overline{CF} Low once for 300–500 ns, which resets the FPGA and initiates configuration.

The \overline{CF} pin must be connected to the $\overline{PROGRAM}$ pin on the FPGA(s) to use this feature.

The iMPACT software can also issue a JTAG CONFIG command to initiate FPGA configuration through the “Load FPGA” setting.

The 20-pin packages do not have a dedicated \overline{CF} pin. For 20-pin packages, the $CF \rightarrow D4$ setting can be used to route the \overline{CF} pin function to pin 7 only if the parallel output mode is *not* used.

Selecting Configuration Modes

The XC18V00 accommodates serial and parallel methods of configuration. The configuration modes are selectable through a user control register in the XC18V00 device. This control register is accessible through JTAG, and is set using the “Parallel mode” setting on the Xilinx iMPACT software. Serial output is the default configuration mode.

Master Serial Mode Summary

The I/O and logic functions of the FPGA’s configurable logic block (CLB) and their associated interconnections are established by a configuration program. The program is loaded either automatically upon power up, or on command, depending on the state of the three FPGA mode pins. In Master Serial mode, the FPGA automatically loads the configuration program from an external memory. Xilinx PROMs are designed to accommodate the Master Serial mode.

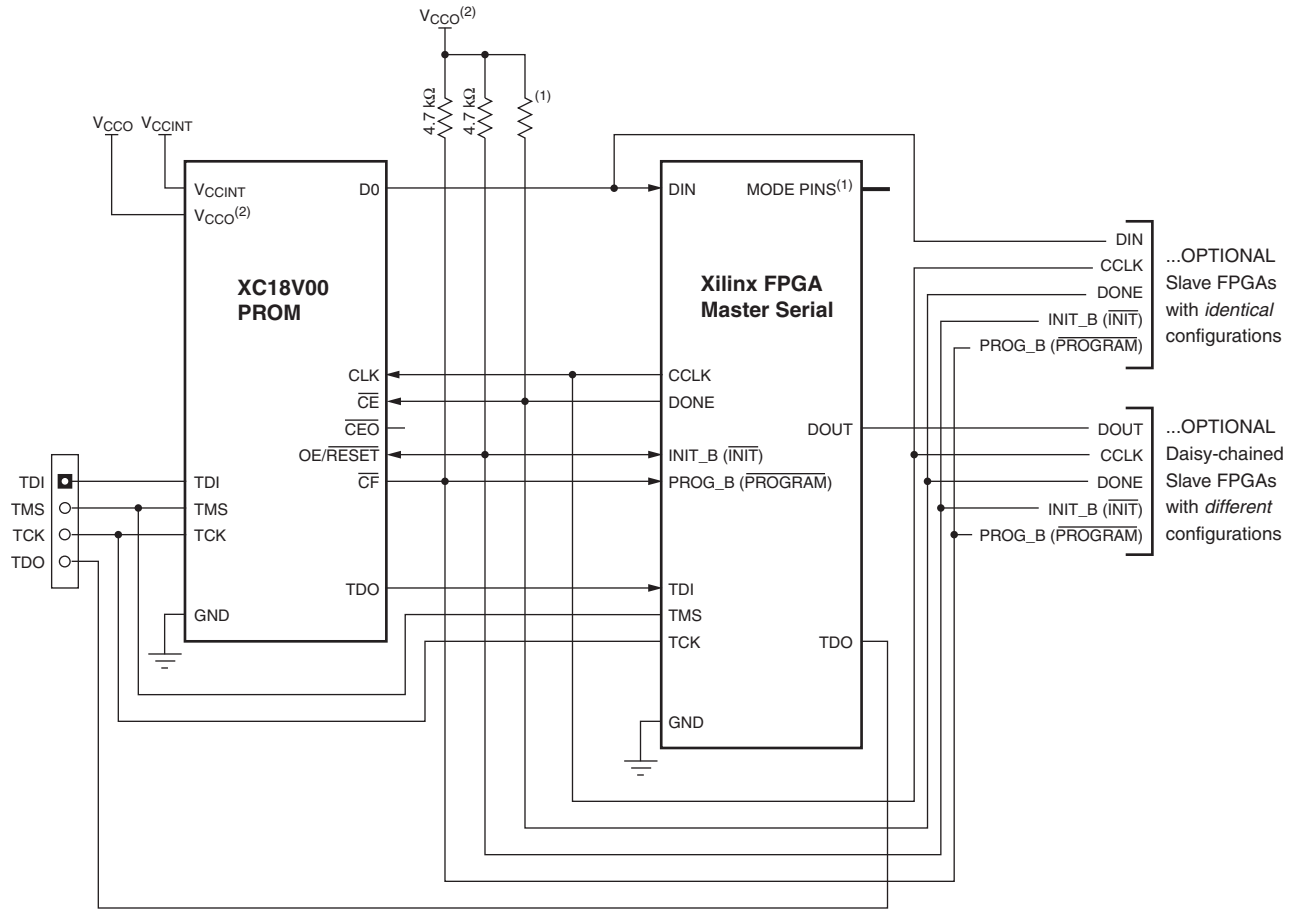
Upon power-up or reconfiguration, an FPGA enters the Master Serial mode whenever all three of the FPGA mode-select pins are Low ($M0=0$, $M1=0$, $M2=0$). Data is read from the PROM sequentially on a single data line. Synchronization is provided by the rising edge of the temporary signal CCLK, which is generated by the FPGA during configuration.

Master Serial mode provides a simple configuration interface. Only a serial data line, a clock line, and two control lines are required to configure an FPGA. Data from the PROM is read sequentially, accessed via the internal address and bit counters which are incremented on every valid rising edge of CCLK. If the user-programmable, dual-function DIN pin on the FPGA is used only for configuration, it must still be held at a defined level during normal operation. The Xilinx FPGA families take care of this automatically with an on-chip pull-up resistor.

Cascading Configuration PROMs

For multiple FPGAs configured as a serial daisy-chain, or a single FPGA requiring larger configuration memories in a serial or SelectMAP configuration mode, cascaded PROMs provide additional memory ([Figure 7](#) and [Figure 8](#)). Multiple XC18V00 devices can be cascaded by using the \overline{CEO} output to drive the \overline{CE} input of the downstream device. The clock inputs and the data outputs of all XC18V00 devices in the chain are interconnected. After the last data from the first PROM is read, the next clock signal to the PROM asserts its \overline{CEO} output Low and drives its DATA line to a high-Z state. The second PROM recognizes the Low level on its \overline{CE} input and enables its DATA output.

After configuration is complete, address counters of all cascaded PROMs are reset if the PROM $\overline{OE}/\overline{RESET}$ pin goes Low or \overline{CE} goes High.

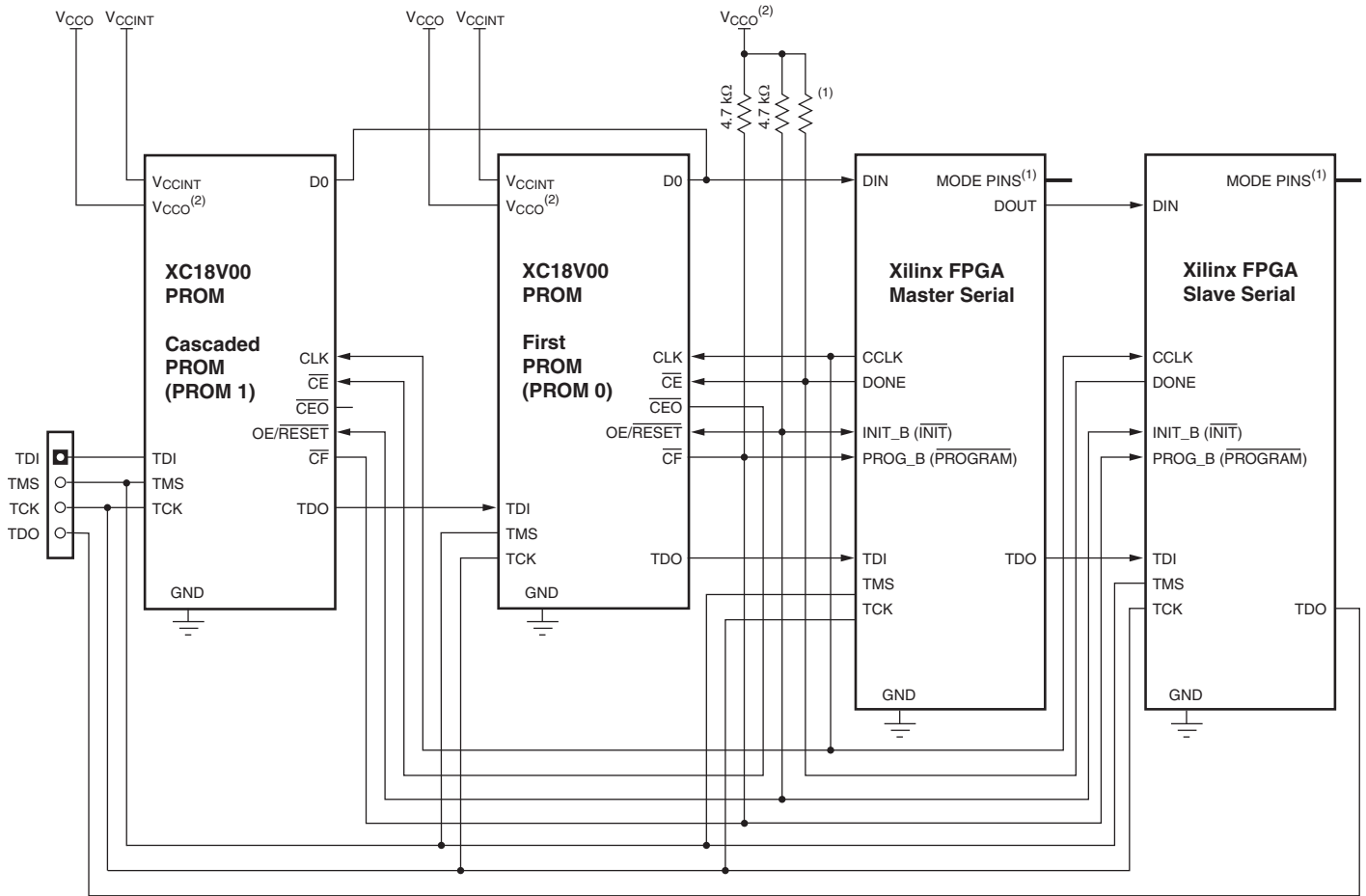


Notes:

- 1 For MODE pin connections and DONE pin pullup value, refer to the appropriate FPGA data sheet or user guide.
- 2 For compatible voltages, refer to the appropriate data sheet.

ds026_18_20051007

Figure 5: Master Serial Mode

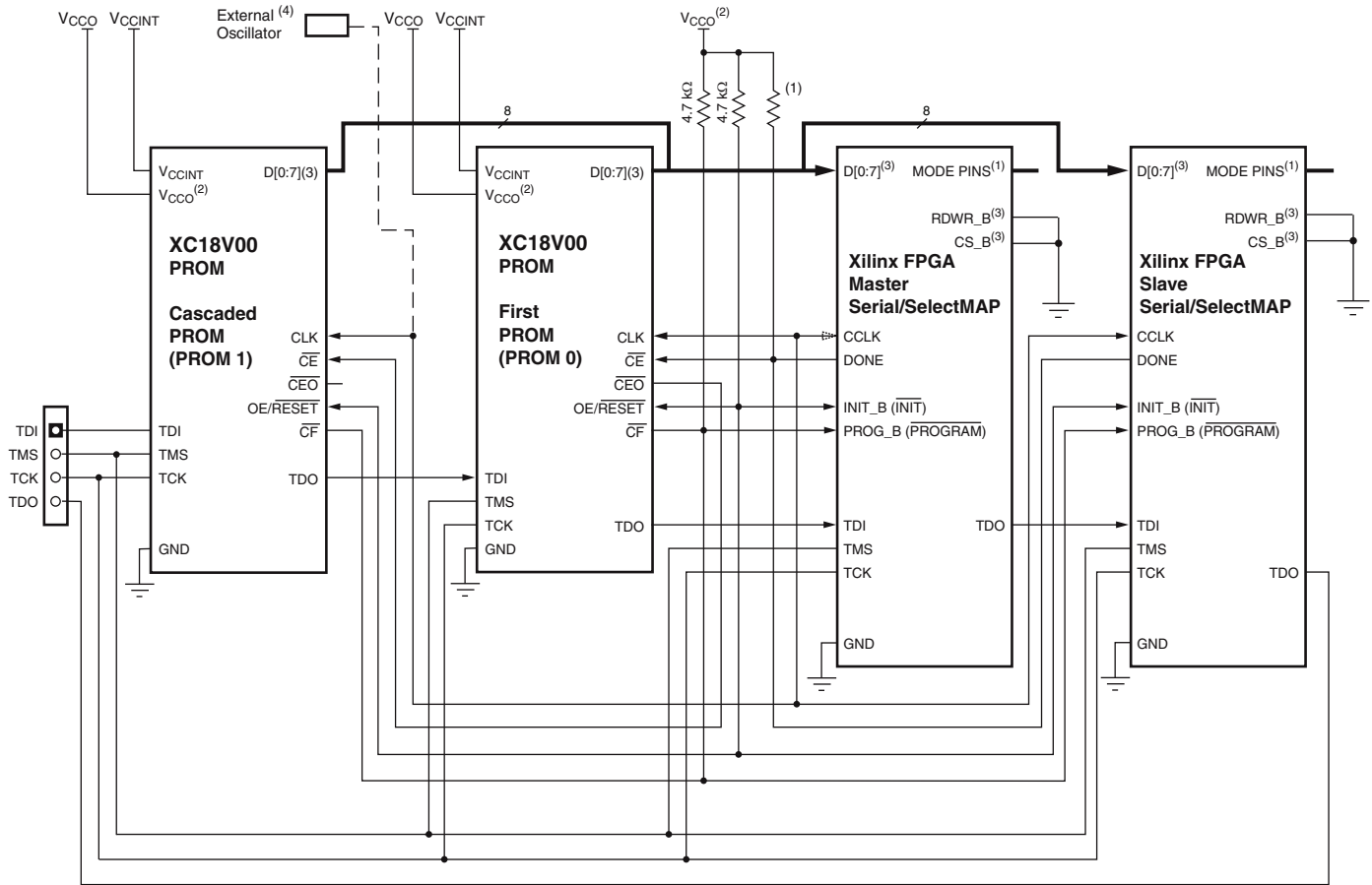


Notes:

- 1 For MODE pin connections and DONE pin pullup value, refer to the appropriate FPGA data sheet or user guide.
- 2 For compatible voltages, refer to the appropriate data sheet.

ds026_16_20051007

Figure 7: Configuring Multiple Devices in Master/Slave Serial Mode



Notes:

- 1 For MODE pin connections and DONE pin pullup value, refer to the appropriate FPGA data sheet or user guide.
- 2 For compatible voltages, refer to the appropriate data sheet.
- 3 Serial modes do not require the D[1:7], RDWR_B, or CS_B pins to be connected.
- 4 External oscillator required if CLK is not supplied by an FPGA in Master mode. Refer to the appropriate FPGA data sheet.

DS026_17_111207

Figure 8: Configuring Multiple Devices with Identical Patterns in Master/Slave Serial, Master/Slave SelectMAP, or Master/Slave Parallel Mode

Reset and Power-On Reset Activation

At power up, the device requires the V_{CCINT} power supply to rise monotonically to the nominal operating voltage within the specified V_{CCINT} rise time. If the power supply cannot meet this requirement, then the device might not perform power-on reset properly. During the power-up sequence, $\overline{OE/RESET}$ is held Low by the PROM.

Once the required supplies have reached their respective POR (Power On Reset) thresholds, the $\overline{OE/RESET}$ release is delayed (T_{OER} minimum) to allow more margin for the power supplies to stabilize before initiating configuration. The $\overline{OE/RESET}$ pin is connected to an external pull-up resistor and also to the target FPGA's INIT_B pin. For systems utilizing slow-rising power supplies, an additional power monitoring circuit can be used to delay the target configuration until the system power reaches minimum operating voltages by holding the $\overline{OE/RESET}$ pin Low.

When $\overline{OE/RESET}$ is released, the FPGA's INIT_B pin is pulled High, allowing the FPGA's configuration sequence to begin. If the power drops below the power-down threshold (V_{CCPD}), the PROM resets and $\overline{OE/RESET}$ is again held Low until the after the POR threshold is reached. $\overline{OE/RESET}$ polarity is not programmable. These power-up requirements are shown graphically in Figure 9.

For a fully powered Platform Flash PROM, a reset occurs whenever $\overline{OE/RESET}$ is asserted (Low) or \overline{CE} is deasserted (High). The address counter is reset, \overline{CEO} is driven High, and the remaining outputs are placed in a high-Z state.

Standby Mode

The PROM enters a low-power standby mode whenever \overline{CE} is asserted High. The address is reset. The output remains in a high-Z state regardless of the state of the OE input. JTAG pins TMS, TDI and TDO can be in a high-Z state or High. See Table 7.

When using the FPGA DONE signal to drive the PROM \overline{CE} pin High to reduce standby power after configuration, an external pull-up resistor should be used. Typically a 330Ω pull-up resistor is used, but refer to the appropriate FPGA data sheet for the recommended DONE pin pull-up value. If the DONE circuit is connected to an LED to indicate FPGA configuration is complete, and also connected to the PROM \overline{CE} pin to enable low-power standby mode, then an external buffer should be used to drive the LED circuit to ensure valid transitions on the PROMs \overline{CE} pin. If low-power standby mode is not required for the PROM, then the \overline{CE} pin should be connected to ground.

5V Tolerant I/Os

The I/Os on each re-programmable PROM are fully 5V tolerant even through the core power supply is 3.3V. This allows 5V CMOS signals to connect directly to the PROM inputs without damage. In addition, the 3.3V V_{CCINT} power supply can be applied before or after 5V signals are applied to the I/Os. In mixed 5V/3.3V/2.5V systems, the user pins, the core power supply (V_{CCINT}), and the output power supply (V_{CCO}) can have power applied in any order. This makes the PROM devices immune to power supply sequencing issues.

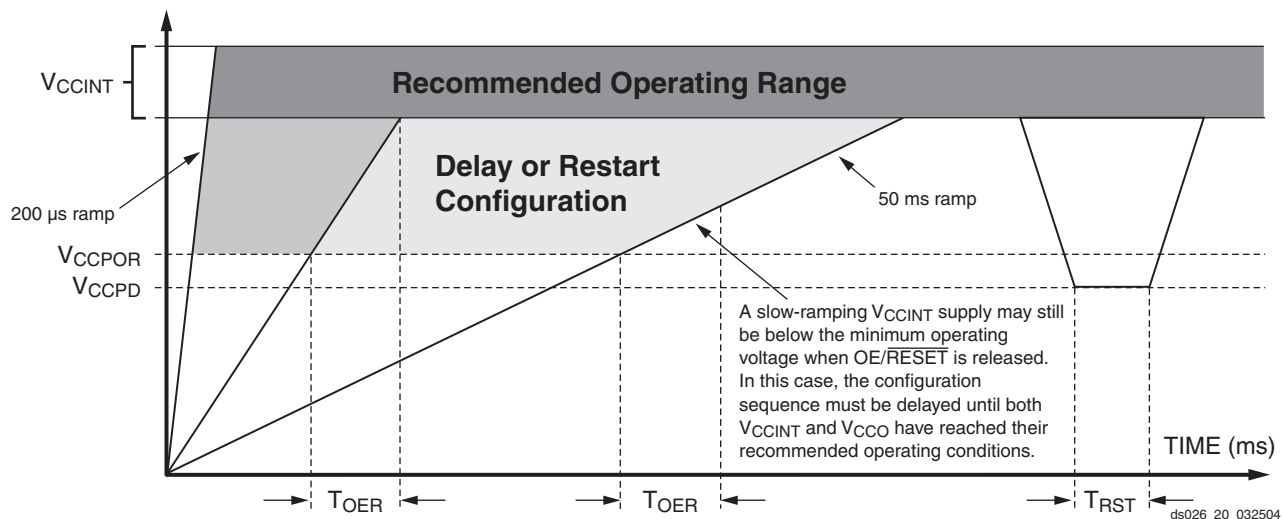


Figure 9: V_{CCINT} Power-Up Requirements

Customer Control Bits

The XC18V00 PROMs have various control bits accessible by the customer. These can be set after the array has been programmed using “Skip User Array” in Xilinx iMPACT software. The iMPACT software can set these bits to enable the optional JTAG read security, parallel configuration mode, or CF → D4 pin function. See [Table 7](#).

Table 7: Truth Table for PROM Control Inputs

| Control Inputs | | Internal Address | Outputs | | |
|----------------|------|---|---------------|----------|-----------------|
| OE/RESET | CE | | DATA | CEO | I _{cc} |
| High | Low | If address ≤ TC ⁽¹⁾ : increment If address > TC ⁽¹⁾ : don't change | Active high-Z | High Low | Active reduced |
| Low | Low | Held reset | High-Z | High | Active |
| High | High | Held reset | High-Z | High | Standby |
| Low | High | Held reset | High-Z | High | Standby |

Notes:

1. TC = Terminal Count = highest address value. TC + 1 = address 0.

Absolute Maximum Ratings^(1,2)

| Symbol | Description | Value | Units |
|--------------------------------------|-----------------------------------|--------------|-------|
| V _{CCINT} /V _{CCO} | Supply voltage relative to GND | −0.5 to +4.0 | V |
| V _{IN} | Input voltage with respect to GND | −0.5 to +5.5 | V |
| V _{TS} | Voltage applied to high-Z output | −0.5 to +5.5 | V |
| T _{STG} | Storage temperature (ambient) | −65 to +150 | °C |
| T _J | Junction temperature | +125 | °C |

Notes:

1. Maximum DC undershoot below GND must be limited to either 0.5V or 10 mA, whichever is easier to achieve. During transitions, the device pins can undershoot to −2.0V or overshoot to +7.0V, provided this over- or undershoot lasts less than 10 ns and with the forcing current being limited to 200 mA.
2. Stresses beyond those listed under Absolute Maximum Ratings might cause permanent damage to the device. These are stress ratings only, and functional operation of the device at these or any other conditions beyond those listed under Operating Conditions is not implied. Exposure to Absolute Maximum Ratings conditions for extended periods of time might affect device reliability.

Supply Voltage Requirements for Power-On Reset and Power-Down

| Symbol | Description | Min | Max | Units |
|--------------------|--|-----|-----|-------|
| T _{VCC} | V _{CCINT} rise time from 0V to nominal voltage ⁽²⁾ | 0.2 | 50 | ms |
| V _{CCPOR} | POR threshold for the V _{CCINT} supply | 1 | – | V |
| T _{OER} | OE/RESET release delay following POR ⁽³⁾ | 0 | 1 | ms |
| T _{RST} | Time required to trigger a device reset when the V _{CCINT} supply drops below the maximum V _{CCPD} threshold | 10 | – | ms |
| V _{CCPD} | Power-down threshold for V _{CCINT} supply | – | 1 | V |

Notes:

1. V_{CCINT} and V_{CCO} supplies can be applied in any order.
2. At power up, the device requires the V_{CCINT} power supply to rise monotonically to the nominal operating voltage within the specified T_{VCC} rise time. If the power supply cannot meet this requirement, then the device might not perform power-on-reset properly. See [Figure 9, page 14](#).
3. If the V_{CCINT} and V_{CCO} supplies do not reach their respective recommended operating conditions before the OE/RESET pin is released, then the configuration data from the PROM will not be available at the recommended threshold levels. The configuration sequence must be delayed until both V_{CCINT} and V_{CCO} have reached their recommended operating conditions.
4. Typical POR is value is 2.0V.

Recommended Operating Conditions

| Symbol | Parameter | Min | Max | Units |
|-------------|---|-----|-----------|-------|
| V_{CCINT} | Internal voltage supply | 3.0 | 3.6 | V |
| V_{CCO} | Supply voltage for output drivers for 3.3V operation | 3.0 | 3.6 | V |
| | Supply voltage for output drivers for 2.5V operation | 2.3 | 2.7 | V |
| V_{IL} | Low-level input voltage | 0 | 0.8 | V |
| V_{IH} | High-level input voltage | 2.0 | 5.5 | V |
| V_O | Output voltage | 0 | V_{CCO} | V |
| T_{VCC} | V_{CCINT} rise time from 0V to nominal voltage ⁽¹⁾ | 1 | 50 | ms |
| T_A | Operating ambient temperature ⁽²⁾ | -40 | 85 | °C |

Notes:

- At power up, the device requires the V_{CCINT} power supply to rise monotonically from 0V to nominal voltage within the specified V_{CCINT} rise time. If the power supply cannot meet this requirement, then the device might not perform power-on-reset properly. See [Figure 9, page 14](#).
- Covers the industrial temperature range.

Quality and Reliability Characteristics

| Symbol | Description | Min | Max | Units |
|-----------|----------------------------------|--------|-----|--------|
| T_{DR} | Data retention | 20 | – | Years |
| N_{PE} | Program/erase cycles (Endurance) | 20,000 | – | Cycles |
| V_{ESD} | Electrostatic discharge (ESD) | 2,000 | – | Volts |

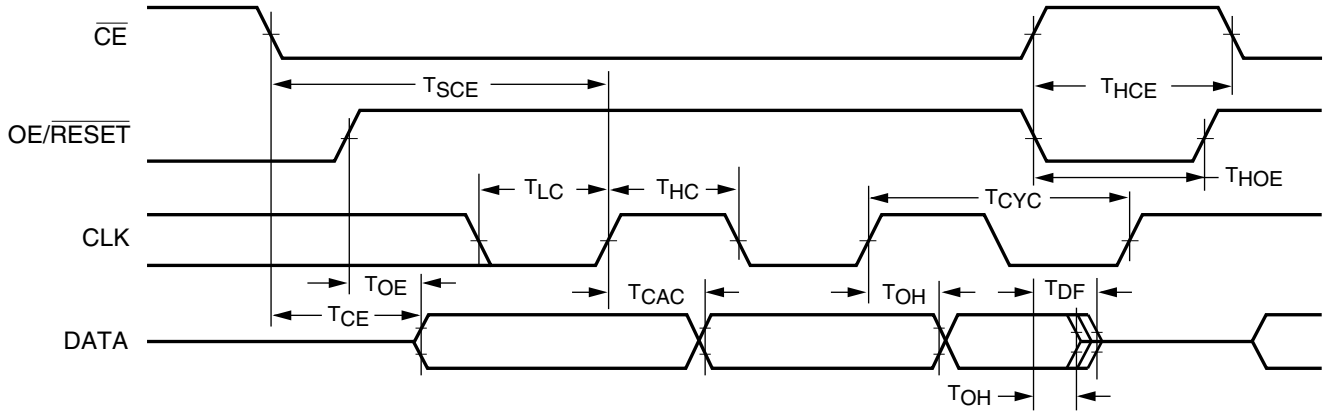
DC Characteristics Over Operating Conditions

| Symbol | Parameter | Test Conditions | Min | Max | Units |
|-----------|--|---|---------------|-----|---------------|
| V_{OH} | High-level output voltage for 3.3V outputs | $I_{OH} = -4 \text{ mA}$ | 2.4 | – | V |
| | High-level output voltage for 2.5V outputs | $I_{OH} = -500 \mu\text{A}$ | 90% V_{CCO} | – | V |
| V_{OL} | Low-level output voltage for 3.3V outputs | $I_{OL} = 8 \text{ mA}$ | – | 0.4 | V |
| | Low-level output voltage for 2.5V outputs | $I_{OL} = 500 \mu\text{A}$ | – | 0.4 | V |
| I_{CC} | Supply current, active mode | 25 MHz | – | 25 | mA |
| I_{CCS} | Supply current, standby mode | | – | 10 | mA |
| I_{ILJ} | JTAG pins TMS, TDI, and TDO pull-up current ⁽¹⁾ | $V_{CCINT} = \text{MAX}$ $V_{IN} = \text{GND}$ | – | 100 | μA |
| I_{IL} | Input leakage current | $V_{CCINT} = \text{Max}$ $V_{IN} = \text{GND or } V_{CCINT}$ | -10 | 10 | μA |
| I_{IH} | Input and output high-Z leakage current | $V_{CCINT} = \text{Max}$ $V_{IN} = \text{GND or } V_{CCINT}$ | -10 | 10 | μA |
| C_{IN} | Input capacitance | $V_{IN} = \text{GND}$ $f = 1.0 \text{ MHz}$ | – | 8 | pF |
| C_{OUT} | Output capacitance | $V_{OUT} = \text{GND}$ $f = 1.0 \text{ MHz}$ | – | 14 | pF |

Notes:

- Internal pull-up resistors guarantee valid logic levels at unconnected input pins. These pull-up resistors do not guarantee valid logic levels when input pins are connected to other circuits.

AC Characteristics Over Operating Conditions for XC18V04 and XC18V02



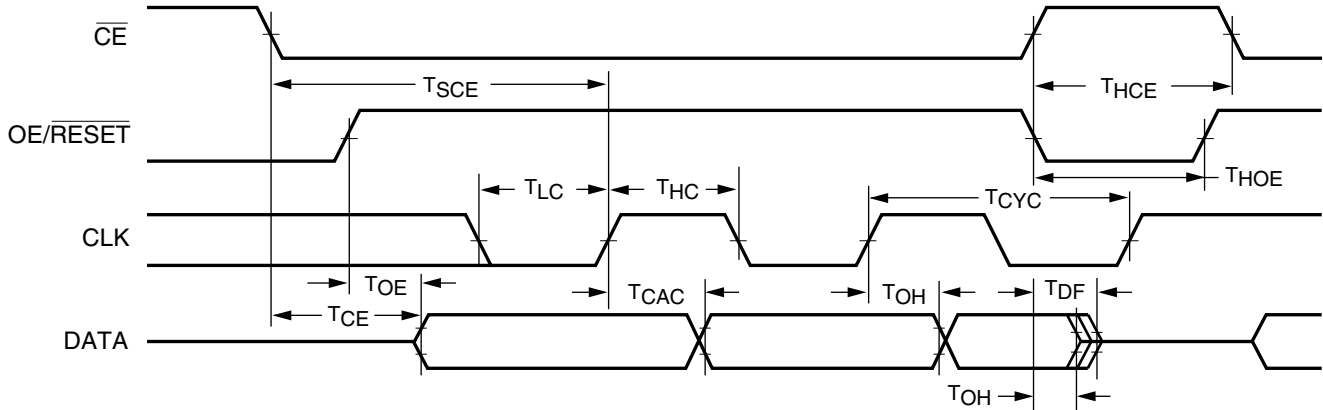
DS026_06_012000

| Symbol | Description | Min | Max | Units |
|-----------|---|-----|-----|-------|
| T_{OE} | OE/\overline{RESET} to data delay | – | 10 | ns |
| T_{CE} | \overline{CE} to data delay | – | 20 | ns |
| T_{CAC} | CLK to data delay | – | 20 | ns |
| T_{OH} | Data hold from \overline{CE} , OE/\overline{RESET} , or CLK | 0 | – | ns |
| T_{DF} | \overline{CE} or OE/\overline{RESET} to data float delay ⁽²⁾ | – | 25 | ns |
| T_{CYC} | Clock periods | 50 | – | ns |
| T_{LC} | CLK Low time ⁽³⁾ | 10 | – | ns |
| T_{HC} | CLK High time ⁽³⁾ | 10 | – | ns |
| T_{SCE} | \overline{CE} setup time to CLK (guarantees proper counting) ⁽³⁾ | 25 | – | ns |
| T_{HCE} | \overline{CE} High time (guarantees counters are reset) | 250 | – | ns |
| T_{HOE} | OE/\overline{RESET} hold time (guarantees counters are reset) | 250 | – | ns |

Notes:

- AC test load = 50 pF.
- Float delays are measured with 5 pF AC loads. Transition is measured at ± 200 mV from steady state active levels.
- Guaranteed by design, not tested.
- All AC parameters are measured with $V_{IL} = 0.0V$ and $V_{IH} = 3.0V$.
- If T_{HCE} High < 2 μs , $T_{CE} = 2 \mu s$.
- If T_{HOE} Low < 2 μs , $T_{OE} = 2 \mu s$.

AC Characteristics Over Operating Conditions for XC18V01 and XC18V512



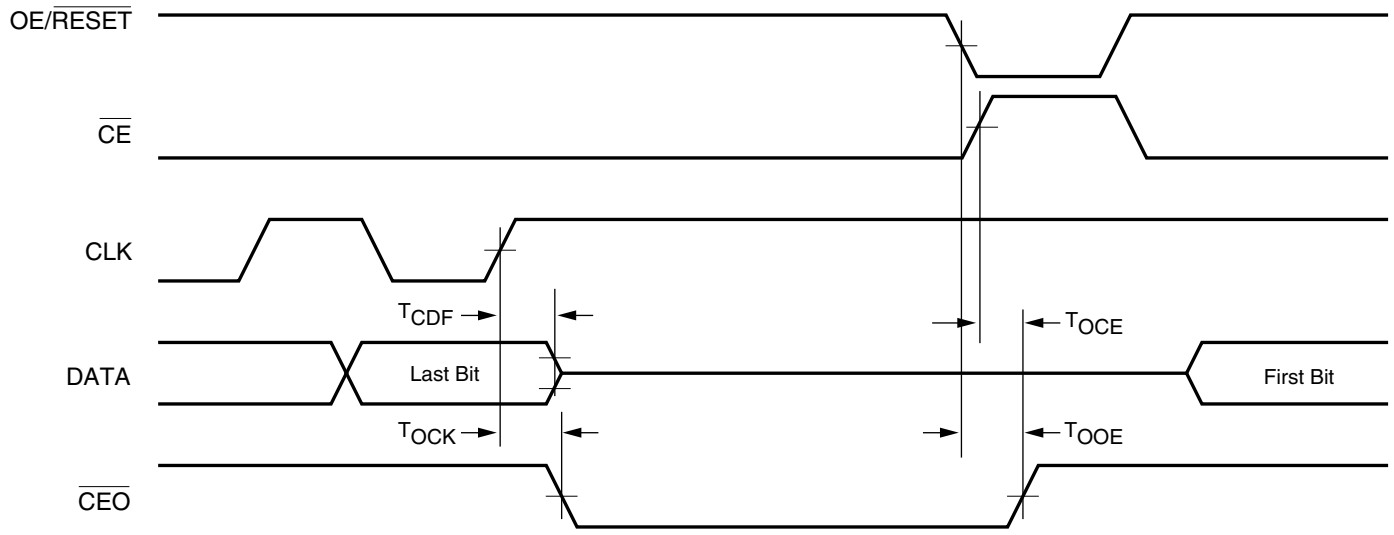
DS026_06_012000

| Symbol | Description | Min | Max | Units |
|-----------|--|-----|-----|-------|
| T_{OE} | $\overline{OE}/\overline{RESET}$ to data delay | – | 10 | ns |
| T_{CE} | \overline{CE} to data delay | – | 15 | ns |
| T_{CAC} | CLK to data delay | – | 15 | ns |
| T_{OH} | Data hold from \overline{CE} , $\overline{OE}/\overline{RESET}$, or CLK | 0 | – | ns |
| T_{DF} | \overline{CE} or $\overline{OE}/\overline{RESET}$ to data float delay ⁽²⁾ | – | 25 | ns |
| T_{CYC} | Clock periods | 30 | – | ns |
| T_{LC} | CLK Low time ⁽³⁾ | 10 | – | ns |
| T_{HC} | CLK High time ⁽³⁾ | 10 | – | ns |
| T_{SCE} | \overline{CE} setup time to CLK (guarantees proper counting) ⁽³⁾ | 20 | – | ns |
| T_{HCE} | \overline{CE} High time (guarantees counters are reset) | 250 | – | ns |
| T_{HOE} | $\overline{OE}/\overline{RESET}$ hold time (guarantees counters are reset) | 250 | – | ns |

Notes:

- AC test load = 50 pF.
- Float delays are measured with 5 pF AC loads. Transition is measured at ± 200 mV from steady state active levels.
- Guaranteed by design, not tested.
- All AC parameters are measured with $V_{IL} = 0.0V$ and $V_{IH} = 3.0V$.
- If T_{HCE} High < 2 μs , $T_{CE} = 2 \mu s$.
- If T_{HOE} Low < 2 μs , $T_{OE} = 2 \mu s$.

AC Characteristics Over Operating Conditions When Cascading for XC18V04 and XC18V02



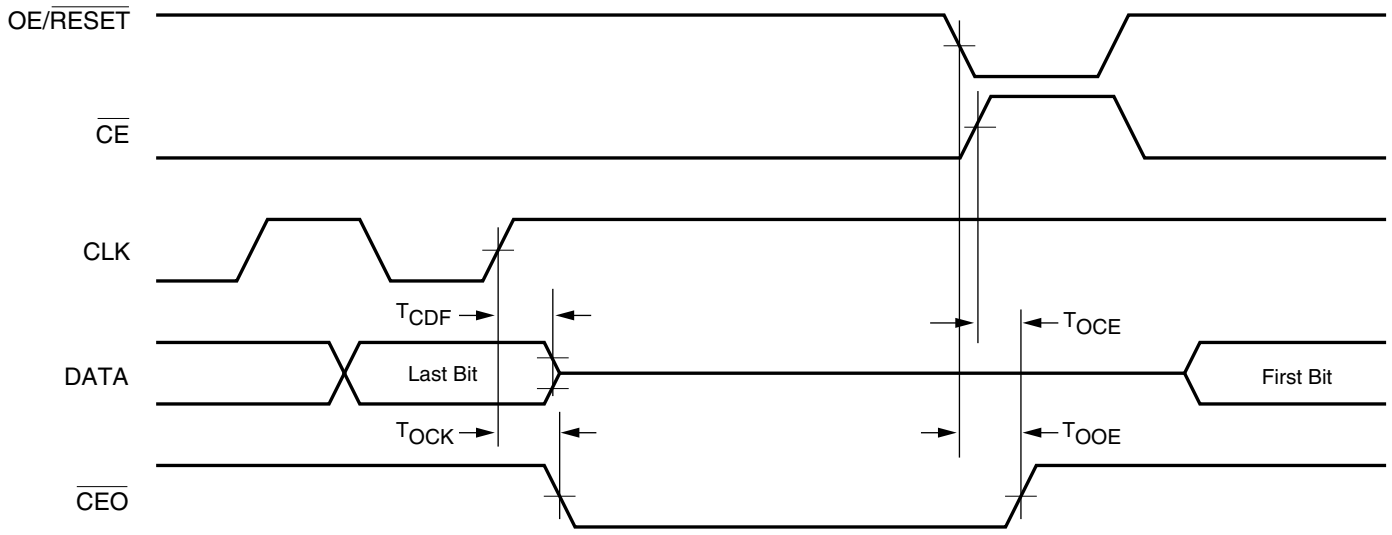
DS026_07_020300

| Symbol | Description | Min | Max | Units |
|------------------|--|-----|-----|-------|
| T _{CDF} | CLK to data float delay ^(2,3) | – | 25 | ns |
| T _{OCK} | CLK to CEO delay ⁽³⁾ | – | 20 | ns |
| T _{OCE} | CE to CEO delay ⁽³⁾ | – | 20 | ns |
| T _{OOE} | OE/RESET to CEO delay ⁽³⁾ | – | 20 | ns |

Notes:

1. AC test load = 50 pF.
2. Float delays are measured with 5 pF AC loads. Transition is measured at ±200 mV from steady state active levels.
3. Guaranteed by design, not tested.
4. All AC parameters are measured with V_{IL} = 0.0V and V_{IH} = 3.0V.
5. For cascade mode:
 - ◆ T_{CYC} min = T_{OCK} + T_{CE} + FPGA DIN-to-CCLK setup time
 - ◆ T_{CAC} min = T_{OCK} + T_{CE}

AC Characteristics Over Operating Conditions When Cascading for XC18V01 and XC18V512



DS026_07_020300

| Symbol | Description | Min | Max | Units |
|-----------|---|-----|-----|-------|
| T_{CDF} | CLK to data float delay ^(2,3) | – | 25 | ns |
| T_{OCK} | CLK to \overline{CEO} delay ⁽³⁾ | – | 20 | ns |
| T_{OCE} | CE to \overline{CEO} delay ⁽³⁾ | – | 20 | ns |
| T_{OOE} | OE/ \overline{RESET} to \overline{CEO} delay ⁽³⁾ | – | 20 | ns |

Notes:

- AC test load = 50 pF.
- Float delays are measured with 5 pF AC loads. Transition is measured at ± 200 mV from steady state active levels.
- Guaranteed by design, not tested.
- All AC parameters are measured with $V_{IL} = 0.0V$ and $V_{IH} = 3.0V$.
- For cascade mode:
 - $T_{CYC} \text{ min} = T_{OCK} + T_{CE} + \text{FPGA DIN-to-CCLK setup time}$
 - $T_{CAC} \text{ min} = T_{OCK} + T_{CE}$

Ordering Information

XC18V04 VQ44 C

| | | |
|---|---|--|
| <p>Device Number</p> <p>XC18V04 XC18V02 XC18V01 XC18V512</p> | <p>Package Type</p> <p>VQ44 = 44-pin Plastic Quad Flat Package VQG44 = 44-pin Plastic Quad Flat Package, Pb-free PC44 = 44-pin Plastic Chip Carrier⁽¹⁾ PCG44 = 44-pin Plastic Chip Carrier, Pb-free⁽¹⁾ SO20 = 20-pin Small-Outline Package⁽²⁾ SOG20 = 20-pin Small-Outline Package, Pb-free⁽²⁾ PC20 = 20-pin Plastic Leaded Chip Carrier⁽²⁾ PCG20 = 20-pin Plastic Leaded Chip Carrier, Pb-free⁽²⁾</p> | <p>Operating Range</p> <p>C = Industrial (T_A = -40°C to +85°C)</p> |
|---|---|--|

Notes:

1. XC18V04 and XC18V02 only.
2. XC18V01 and XC18V512 only.

Valid Ordering Combinations

| | | | |
|---------------|---------------|---------------|----------------|
| XC18V04VQ44C | XC18V02VQ44C | XC18V01VQ44C | XC18V512VQ44C |
| XC18V04PC44C | XC18V02PC44C | XC18V01PC20C | XC18V512PC20C |
| XC18V04VQG44C | XC18V02VQG44C | XC18V01SO20C | XC18V512SO20C |
| XC18V04PCG44C | XC18V02PCG44C | XC18V01VQG44C | XC18V512VQG44C |
| | | XC18V01PCG20C | XC18V512PCG20C |
| | | XC18V01SOG20C | XC18V512SOG20C |

Marking Information

44-pin Package

XC18V04 VQ44

| | | |
|---|--|--|
| <p>Device Number</p> <p>XC18V04 XC18V02 XC18V01 XC18V512</p> | <p>Package Type</p> <p>VQ44 = 44-pin Plastic Quad Flat Package VQG44 = 44-pin Plastic Quad Flat Package, Pb-Free PC44 = 44-pin Plastic Leaded Chip Carrier⁽¹⁾ PCG44 = 44-pin Plastic Leaded Chip Carrier, Pb-Free⁽¹⁾</p> <p>Notes:</p> <p>1. XC18V02 and XC18V04 only.</p> | <p>Operating Range</p> <p>[no mark] = Industrial (T_A = -40°C to +85°C)</p> |
|---|--|--|

20-pin Package⁽¹⁾

Due to the small size of the serial PROM packages, the complete ordering part number cannot be marked on the package. The package code is simplified. Device marking is as follows:

XC18V01 S

| | | |
|---|--|--|
| <p>Device Number</p> <p>18V01 18V512</p> | <p>Package Type</p> <p>S = 20-pin Small-Outline Package⁽²⁾ SG = 20-pin Small-Outline Package, Pb-free⁽²⁾ J = 20-pin Plastic Leaded Chip Carrier⁽²⁾ JG = 20-pin Plastic Leaded Chip Carrier, Pb-free⁽²⁾</p> <p>Notes:</p> <p>1. Refer to XC18V00 PROM product change notices (PCNs) for legacy part markings. 2. XC18V01 and XC18V512 only.</p> | <p>Operating Range</p> <p>[no mark] = Industrial (T_A = -40°C to +85°C)</p> |
|---|--|--|

Revision History

The following table shows the revision history for this document.

| Date | Version | Revision |
|------------|---------|---|
| 02/09/1999 | 1.0 | First publication of this early access specification |
| 08/23/1999 | 1.1 | Edited text, changed marking, added \overline{CF} and parallel load |
| 09/01/1999 | 1.2 | Corrected JTAG order, Security and Endurance data. |
| 09/16/1999 | 1.3 | Corrected SelectMAP diagram, control inputs, reset polarity. Added JTAG and \overline{CF} description, 256 Kbit and 128 Kbit devices. |
| 01/20/2000 | 2.0 | Added Q44 Package, changed XC18xx to XC18Vxx |
| 02/18/2000 | 2.1 | Updated JTAG configuration, AC and DC characteristics |
| 04/04/2000 | 2.2 | Removed stand alone resistor on INIT pin in Figure 5. Added Virtex-E and EM parts to FPGA table. |
| 06/29/2000 | 2.3 | Removed XC18V128 and updated format. Added AC characteristics for XC18V01, XC18V512, and XC18V256 densities. |
| 11/13/2000 | 2.4 | Features: changed 264 MHz to 264 Mb/s at 33 MHz; AC Spec.: T_{SCE} units to ns, T_{HCE} CE High time units to μ s. Removed Standby mode statement: "The lower power standby modes available on some XC18V00 devices are set by the user in the programming software". Changed 10,000 cycles endurance to 20,000 cycles. |
| 01/15/2001 | 2.5 | Updated Figures 5 and 6, added 4.7 resistors. Identification registers: changes ISP PROM product ID from 06h to 26h. |
| 04/04/2001 | 2.6 | Updated Figure 8, Virtex SelectMAP mode; added XC2V products to Compatible PROM table; changed Endurance from 10,000 cycles, 10 years to 20,000, 20 years; |
| 04/30/2001 | 2.7 | Updated Figure 8: removed Virtex-E in Note 2, fixed SelectMAP mode connections. Under " AC Characteristics Over Operating Conditions for XC18V04 and XC18V02 ", changed T_{SCE} from 25 ms to 25 ns. |
| 06/11/2001 | 2.8 | "AC Characteristics Over Operating Conditions for XC18V01 and XC18V512" . Changed Min values for T_{SCE} from 20 ms to 20 ns and for T_{HCE} from 2 ms to 2 μ s. |
| 09/28/2001 | 2.9 | Changed the Boundary-Scan order for the CEO pin in Table 1, updated the configuration bits values in the table under " Xilinx FPGAs and Compatible PROMs ", and added information to the " Recommended Operating Conditions " table. |
| 11/12/2001 | 3.0 | Updated for Spartan-IIe FPGA family. |
| 12/06/2001 | 3.1 | Changed Figure 5(c). |
| 02/27/2002 | 3.2 | Updated Table 2 and Figure 8 for the Virtex-II Pro family of devices. |
| 03/15/2002 | 3.3 | Updated Xilinx software and modified Figure 8 and Figure 5. |
| 03/27/2002 | 3.4 | Made changes to pages 1-3, 5, 7-11, 13, 14, and 18. Added new Figure 9 and Figure 9. |
| 06/14/2002 | 3.5 | Made additions and changes to Table 2. |
| 07/24/2002 | 3.6 | Changed last bullet under Connecting Configuration PROMs, page 9 . |
| 09/06/2002 | 3.7 | Multiple minor changes throughout, plus the addition of Pinout Diagrams, page 4 and the deletion of Figure 9. |
| 10/31/2002 | 3.8 | Made minor change on Figure 5 (b) and changed orientation of SO20 diagram on page 5. |
| 11/18/2002 | 3.9 | Added XC2S400E and XC2S600E to Table 2. |
| 04/17/2003 | 3.10 | Changes to " Description ", " External Programming ", and Table 2. |

| | | |
|------------|-------|---|
| 06/11/2003 | 4.0 | <p>Major revision.</p> <ul style="list-style-type: none"> Added alternate IDCODES to Table 5. Discontinued XC18V256 density. Eliminated industrial ordering combinations. Extended commercial temperature range. Added MultiPRO Desktop Tool support. Changed T_{HOE} and T_{HCE} to 250 ns in the tables on <RD Red>page 17 and <RD Red>page 18. Made change in capacitance values "DC Characteristics Over Operating Conditions". Added Note (3) to Table 1. Other minor edits. |
| 12/15/2003 | 4.1 | <p>Added specification (4.7 kΩ) for recommended pull-up resistor on OE/\overline{RESET} pin to section Reset and Power-On Reset Activation, page 14.</p> <p>Added paragraph to section Standby Mode, page 14, concerning use of a pull-up resistor and/or buffer on the DONE pin.</p> |
| 04/05/2004 | 5.0 | <p>Major revision.</p> <ul style="list-style-type: none"> Figure 2: Revised configuration bitstream lengths for most Virtex-II FPGAs. Replaced previous schematics in Figures 5, 6, 7(a), 7(b), and 7(c) with new Figure 5, Figure 6, Figure 7, and Figure 8. Replaced previous Figure 8 with new Figure 9. Replaced previous power-on text section with new Reset and Power-On Reset Activation, page 14. Added specification table Supply Voltage Requirements for Power-On Reset and Power-Down, page 15. Added Footnote (5) to: <ul style="list-style-type: none"> Specification table AC Characteristics Over Operating Conditions When Cascading for XC18V04 and XC18V02, page 19. Specification table AC Characteristics Over Operating Conditions When Cascading for XC18V01 and XC18V512, page 20. Numerous copyedits and wording changes/clarifications throughout. |
| 07/20/2004 | 5.0.1 | <p>Table 2: Removed reference to XC2VP125 FPGA.</p> |
| 03/06/2006 | 5.1 | <ul style="list-style-type: none"> Added Pb-free packages to Features, page 1, Pinout Diagrams, page 4, "Ordering Information", Valid Ordering Combinations, page 21 and Marking Information, page 22. Removed maximum soldering temperature (T_{SOL}) from Absolute Maximum Ratings^(1,2), page 15. Refer to Xilinx Device Package User Guide for package soldering guidelines. Added information to Table 5 regarding variable JTAG IDCODE revision field. |
| 01/11/2008 | 5.2 | <ul style="list-style-type: none"> Updated document template. Updated URLs. Tied RDWR_B and CS_B to GND to ensure valid logic-level Low in FPGA SelectMAP mode in Figure 6, page 11 and Figure 8, page 13. Updated "Marking Information, page 22" for 20-pin packaging. |
| 08/05/2015 | 6.0 | <p>This product is obsolete/discontinued per XCN15008. Updated Notice of Disclaimer.</p> |

Notice of Disclaimer

The information disclosed to you hereunder (the "Materials") is provided solely for the selection and use of Xilinx products. To the maximum extent permitted by applicable law: (1) Materials are made available "AS IS" and with all faults, Xilinx hereby DISCLAIMS ALL WARRANTIES AND CONDITIONS, EXPRESS, IMPLIED, OR STATUTORY, INCLUDING BUT NOT LIMITED TO WARRANTIES OF MERCHANTABILITY, NON-INFRINGEMENT, OR FITNESS FOR ANY PARTICULAR PURPOSE; and (2) Xilinx shall not be liable (whether in contract or tort, including negligence, or under any other theory of liability) for any loss or damage of any kind or nature related to, arising under, or in connection with, the Materials (including your use of the Materials), including for any direct, indirect, special, incidental, or consequential loss or damage (including loss of data, profits, goodwill, or any type of loss or damage suffered as a result of any action brought by a third party) even if such damage or loss was reasonably foreseeable or Xilinx had been advised of the possibility of the same. Xilinx assumes no obligation to correct any errors contained in the Materials or to notify you of updates to the Materials or to product specifications. You may not reproduce, modify, distribute, or publicly display the Materials without prior written consent. Certain products are subject to the terms and conditions of Xilinx's limited warranty, please refer to Xilinx's Terms of Sale which can be viewed at www.xilinx.com/legal.htm#tos; IP cores may be subject to warranty and support terms contained in a license issued to you by Xilinx. Xilinx products are not designed or intended to be fail-safe or for use in any application requiring fail-safe performance; you assume sole risk and liability for use of Xilinx products in such critical applications, please refer to Xilinx's Terms of Sale which can be viewed at www.xilinx.com/legal.htm#tos.

Automotive Applications Disclaimer

XILINX PRODUCTS ARE NOT DESIGNED OR INTENDED TO BE FAIL-SAFE, OR FOR USE IN ANY APPLICATION REQUIRING FAIL-SAFE PERFORMANCE, SUCH AS APPLICATIONS RELATED TO: (I) THE DEPLOYMENT OF AIRBAGS, (II) CONTROL OF A VEHICLE, UNLESS THERE IS A FAIL-SAFE OR REDUNDANCY FEATURE (WHICH DOES NOT INCLUDE USE OF SOFTWARE IN THE XILINX DEVICE TO IMPLEMENT THE REDUNDANCY) AND A WARNING SIGNAL UPON FAILURE TO THE OPERATOR, OR (III) USES THAT COULD LEAD TO DEATH OR PERSONAL INJURY. CUSTOMER ASSUMES THE SOLE RISK AND LIABILITY OF ANY USE OF XILINX PRODUCTS IN SUCH APPLICATIONS.

OUR CERTIFICATE

DiGi provide top-quality products and perfect service for customer worldwide through standardization, technological innovation and continuous improvement. DiGi through third-party certification, we strictly control the quality of products and services. Welcome your RFQ to

Email: Info@DiGi-Electronics.com



Tel: +00 852-30501935

RFQ Email: Info@DiGi-Electronics.com

DiGi is a global authorized distributor of electronic components.