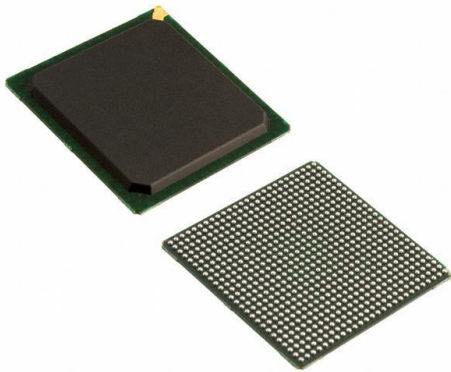


XC3S1500L-4FGG676C Datasheet

www.digi-electronics.com



XC3S1500L-4FGG676C

<https://www.DiGi-Electronics.com>

DiGi Electronics Part Number	XC3S1500L-4FGG676C-DG
Manufacturer	AMD
Manufacturer Product Number	XC3S1500L-4FGG676C
Description	IC FPGA 487 I/O 676FBGA
Detailed Description	Spartan®-3L Field Programmable Gate Array (FPGA)) IC 487 589824 29952 676-BGA



Tel: +00 852-30501935

RFQ Email: Info@DiGi-Electronics.com

DiGi is a global authorized distributor of electronic components.

Purchase and inquiry

Manufacturer Product Number:

XC3S1500L-4FGG676C

Series:

Spartan®-3L

DiGi-Electronics Programmable:

Not Verified

Number of Logic Elements/Cells:

29952

Number of I/O:

487

Voltage - Supply:

1.14V ~ 1.26V

Operating Temperature:

0°C ~ 85°C (TJ)

Supplier Device Package:

676-FBGA (27x27)

Manufacturer:

AMD

Product Status:

Obsolete

Number of LABs/CLBs:

2816

Total RAM Bits:

589824

Number of Gates:

1500000

Mounting Type:

Surface Mount

Package / Case:

676-BGA

Base Product Number:

XC3S1500L

Environmental & Export classification

Moisture Sensitivity Level (MSL):

3 (168 Hours)

ECCN:

3A991D

REACH Status:

REACH Unaffected

HTSUS:

8542.39.0001

This product is undergoing discontinuance. Please refer to [XCN07010, Product Discontinuation Notice](#), for more information on last-time purchases and replacement products.

Introduction

Spartan®-3L Field-Programmable Gate Arrays (FPGAs) consume less static current than corresponding members of the standard Spartan-3 family. Spartan-3L devices provide the identical function, features, timing, and pinout of the original Spartan-3 family. Features include programmable I/Os, Configurable Logic Blocks (CLBs), RAM blocks, Digital Clock Managers (DCMs), and Multiplier blocks.

Another power-saving benefit of the Spartan-3L family beyond static current reduction is the Hibernate mode, which lowers device power consumption to the lowest possible levels. For new designs, consider the Spartan-3A family, which offers both Hibernate and Suspend power-saving modes.

The three-member Spartan-3L family ranges in density from one to four million system gates and offers as many as 633 I/Os. All devices are specified to meet the –4 speed grade over the commercial temperature range.

This data sheet explains how the Spartan-3L family is different from the Spartan-3 family. For specifications and other technical information not contained in this document, refer to the Spartan-3 data sheet ([DS099](#)).

Features

- Power current reduction compared to Spartan-3 family:
 - Up to 60% less quiescent current
 - Up to 99% less quiescent current in Hibernate mode
- Low cost, low power logic solution for high-volume, consumer-oriented applications
 - Densities as high as 62,000 logic cells
- SelectIO™ signaling
 - Up to 633 I/O pins
 - Eighteen single-ended signal standards
 - Eight differential signal standards including LVDS and RSDS
 - Double Data Rate (DDR) support
- Logic resources
 - Abundant logic cells with shift register capability
 - Wide multiplexers
 - Fast look-ahead carry logic
 - Dedicated 18 x 18 multipliers
 - JTAG logic compatible with IEEE 1149.1/1532
- SelectRAM™ hierarchical memory
 - Up to 1,728 Kbits of total block RAM
 - Up to 432 Kbits of total distributed RAM
- Digital Clock Manager (four DCMs)
 - Clock skew elimination
 - Frequency synthesis
 - High-resolution phase shifting
- Eight global clock lines and abundant routing
- Pin-compatible with Spartan-3 FPGAs
- Pb-free packaging options
- Fully supported by Xilinx ISE® development system
 - Synthesis, mapping, placement, and routing
- MicroBlaze™ processor and other cores
- Power estimation using [XPower](#) tools

Table 1: Summary of Spartan-3L FPGA Attributes

Device	System Gates	Equivalent Logic Cells	CLB Array (One CLB = Four Slices)			Distributed RAM bits ⁽¹⁾	Block RAM bits ⁽¹⁾	Dedicated Multipliers	DCMs	Maximum User I/O	Maximum Differential I/O Pairs
			Rows	Columns	Total CLBs						
XC3S1000L	1M	17,280	48	40	1,920	120K	432K	24	4	333	149
XC3S1500L	1.5M	29,952	64	52	3,328	208K	576K	32	4	487	221
XC3S4000L	4M	62,208	96	72	6,912	432K	1,728K	96	4	633	300

Notes:

1. By convention, one Kb is equivalent to 1,024 bits.

Architectural Overview

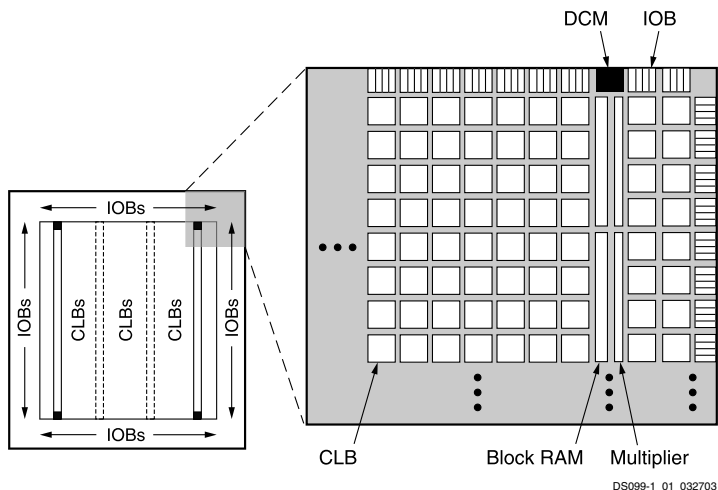
The Spartan-3L family architecture consists of five fundamental programmable functional elements:

- **Configurable Logic Blocks (CLBs)** contain RAM-based Look-Up Tables (LUTs) to implement logic and storage elements that can be used as flip-flops or latches. CLBs can be programmed to perform a wide variety of logical functions as well as to store data.
- **Input/Output Blocks (IOBs)** control the flow of data between the I/O pins and the internal logic of the device. Each IOB supports bidirectional data flow plus 3-state operation. Twenty-six different signal standards, including eight high-performance differential standards, are available, as shown in [Table 2](#). Double Data-Rate (DDR) registers are included. The Digitally Controlled Impedance (DCI) feature provides automatic on-chip terminations, simplifying board designs.
- **Block RAM** provides data storage in the form of 18-Kbit dual-port blocks.

- **Multiplier Blocks** accept two 18-bit binary numbers as inputs and calculate the product.
- **Digital Clock Manager (DCM) Blocks** provide self-calibrating, fully digital solutions for distributing, delaying, multiplying, dividing, and phase-shifting clock signals.

These elements are organized as shown in [Figure 1](#). A ring of IOBs surrounds a regular array of CLBs. The XC3S1000L and XC3S1500L have two columns of block RAM. The XC3S4000L has four RAM columns. Each column is made up of several 18Kbit RAM blocks; each block is associated with a dedicated multiplier. The DCMs are positioned at the ends of the outer block RAM columns.

The Spartan-3L family features a rich network of traces that interconnect all five functional elements, transmitting signals among them. Each functional element has an associated switch matrix that permits multiple connections to the routing.



Notes:

1. The two additional block RAM columns of the XC3S4000L devices are shown with dashed lines.

Figure 1: Spartan-3L Family Architecture

Configuration

Spartan-3L FPGAs are programmed by loading configuration data into robust static memory cells that collectively control all functional elements and routing resources. Before powering on the FPGA, configuration data is stored externally in a PROM or some other nonvolatile medium either on or off the board. After applying power, the configuration data is written to the FPGA using any of five different modes: Master Parallel, Slave Parallel, Master Serial, Slave

Serial and Boundary Scan (JTAG). The Master and Slave Parallel modes use an 8-bit wide SelectMAP port.

The recommended memory for storing the configuration data is the low-cost Xilinx Platform Flash PROM family, which includes the XCF00S PROMs for serial configuration and the higher density XCF00P PROMs for parallel or serial configuration.

I/O Capabilities

The SelectIO feature of Spartan-3L devices provides 18 single-ended standards and eight differential standards as listed in Table 2. Many standards support the DCI feature, which uses integrated terminations to eliminate unwanted

signal reflections. Table 3 shows the number of user I/Os as well as the number of differential I/O pairs available for each device/package combination.

Table 2: Signal Standards Supported by the Spartan-3L Family

Standard Category	Description	V _{CCO} (V)	Class	IOSTANDARD	DCI Option
Single-Ended					
GTL	Gunning Transceiver Logic	N/A	Terminated	GTL	Yes
			Plus	GTLP	Yes
HSTL	High-Speed Transceiver Logic	1.5	I	HSTL_I	Yes
			III	HSTL_III	Yes
		1.8	I	HSTL_I_18	Yes
			II	HSTL_II_18	Yes
LVCMOS	Low-Voltage CMOS	1.2	N/A	LVCMOS12	No
		1.5	N/A	LVCMOS15	Yes
		1.8	N/A	LVCMOS18	Yes
		2.5	N/A	LVCMOS25	Yes
		3.3	N/A	LVCMOS33	Yes
LVTTTL	Low-Voltage Transistor-Transistor Logic	3.3	N/A	LVTTTL	No
PCI	Peripheral Component Interconnect	3.0	33 MHz	PCI33_3	No
SSTL	Stub Series Terminated Logic	1.8	N/A (± 6.7 mA)	SSTL18_I	Yes
			N/A (± 13.4 mA)	SSTL18_II	No
		2.5	I	SSTL2_I	Yes
			II	SSTL2_II	Yes
Differential					
HSTL	Differential High-Speed Transceiver Logic	1.8	II	DIFF_HSTL_II_18	Yes
LDT (ULVDS)	Lightning Data Transport (HyperTransport™)	2.5	N/A	LDT_25	No
LVDS	Low-Voltage Differential Signaling		Standard	LVDS_25	Yes
			Bus	BLVDS_25	No
			Extended Mode	LVDSEXT_25	Yes
LVPECL	Low-Voltage Positive Emitter-Coupled Logic	2.5	N/A	LVPECL_25	No
RSDS	Reduced-Swing Differential Signaling	2.5	N/A	RSDS_25	No
SSTL	Differential Stub Series Terminated Logic	2.5	II	DIFF_SSTL2_II	Yes

Table 3: User I/O and Differential (Diff) I/O Counts

Device	FT256 FTG256		FG320 FGG320		FG456 FGG456		FG676 FGG676		FG900 FGG900	
	User	Diff	User	Diff	User	Diff	User	Diff	User	Diff
XC3S1000L	173	76	221	100	333	149	-	-	-	-
XC3S1500L	-	-	221	100	333	149	487	221	-	-
XC3S4000L	-	-	-	-	-	-	-	-	633	300

Notes:

- All Spartan-3L and Spartan-3 devices in the same package are pin-compatible.

Package Marking

Figure 2 shows the package marking for Spartan-3L FPGAs. The markings on the Spartan-3L package are similar to those on the Spartan-3 package. The 'L' in the last line, indicating low power, distinguishes the Spartan-3L device.

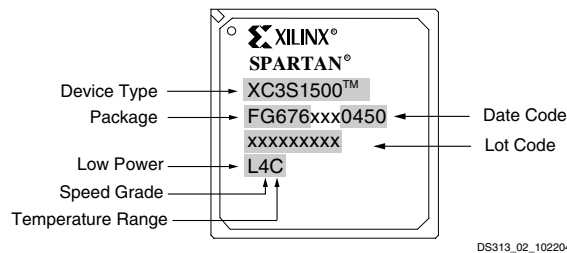
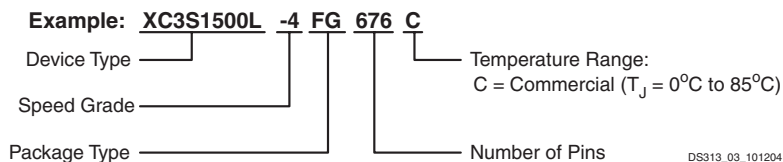


Figure 2: Spartan-3L Package Marking

Ordering Information

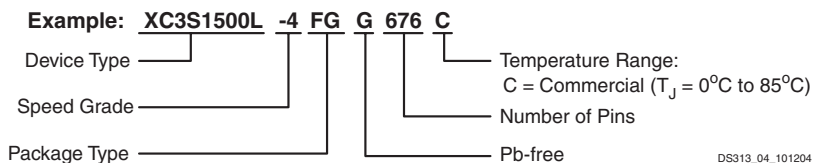
Spartan-3L FPGAs are available in both standard and Pb-free packaging options for all device/package combinations. The Pb-free packages include a 'G' character in the ordering code. Spartan-3L FPGAs are available in a single speed grade, -4, and are specified over the Commercial temperature range.

Standard Packaging



Pb-Free Packaging

For additional information on Pb-free packaging, see [XAPP427: Implementation and Solder Reflow Guidelines for Pb-Free Packages](#).



Device	Speed Grade	Package Type / Number of Pins		Temperature Range (T_J)
XC3S1000L	-4	FT(G)256	256-ball Fine-Pitch Thin Ball Grid Array (FTBGA)	C Commercial (0°C to 85°C)
XC3S1500L		FG(G)320	320-ball Fine-Pitch Ball Grid Array (FBGA)	
XC3S4000L		FG(G)456	456-ball Fine-Pitch Ball Grid Array (FBGA)	
		FG(G)676	676-ball Fine-Pitch Ball Grid Array (FBGA)	
		FG(G)900	900-ball Fine-Pitch Ball Grid Array (FBGA)	

Functional Description

The Spartan-3L FPGA family is identical to the Spartan-3 FPGA family with respect to device function. See the functional description in Module 2 of the Spartan-3 data sheet (DS099) for more information.

Achieving Low Quiescent Current Levels

Because of their lower quiescent current specifications, Spartan-3L devices always consume less power than Spartan-3 devices.

For power-sensitive applications that must manage consumption over long periods with no FPGA activity, it is possible to achieve the quiescent current levels specified in Table 4 of the **DC and Switching Characteristics** section on page 9 by meeting the test conditions described below the table. The easiest way to realize these conditions is by pulling PROG_B Low. This action puts all I/Os into a high-impedance state, ceases all internal switching, and converts the bitmap held in internal memory to all zeros. During and after the Low pulse on PROG_B, disable the internal pull-up resistors on all I/Os by keeping HSWAP_EN High. Reconfiguration is necessary before the FPGA can resume operation in the User mode.

As an alternate approach, when it is desirable to retain the programmed bitmap, do not assert PROG_B. If all other test conditions are met (e.g., no internal switching, I/Os are off), quiescent current levels will be very close to or slightly above what is specified in Table 4, page 9. In this case, make sure internal pull-up and pull-down resistors on all I/Os are disabled.

Hibernate Mode

Hibernate mode starts with the approach described above. This takes power savings one step further by switching off power rails. This mode reduces quiescent power consump-

tion to the lowest possible level. The FPGA is put into the Hibernate mode by switching off the V_{CCINT} (core) and V_{CCAUX} (auxiliary) power supplies. Power is supplied to V_{CCO} lines throughout the hibernation period. Figure 3, page 7 is a block diagram that shows how to put Spartan-3L FPGAs into the Hibernate mode.

During the Hibernation period, the V_{CCINT} and V_{CCAUX} rails are turned off. It is recommended that power FETs with low on resistance be used to perform the switching action. Configuration data is lost upon entering the Hibernate mode; therefore, reconfiguration is necessary after exiting the mode.

In general, it is safest to maintain V_{CCO} power for all banks throughout the Hibernation period. This keeps the power diodes inside the IOBs off when signals are applied to the pins. For each I/O, a power diode extends from the pin (the anode side) to the associated V_{CCO} rail (the cathode side). Power diodes are present on all signal-carrying pins all of the time. In Hibernate mode, the powered V_{CCO} rails account for little current, because the I/Os are in a high-impedance state.

It is also possible to switch off the V_{CCO} rail for a particular bank. This action eliminates the V_{CCO} current for those banks—current on the order of a few milliamperes. There are two ways to achieve this. One way is to keep the voltage of all I/Os belonging to that bank under 0.5V. Another way is to disable signals coming from external devices (such as Device 1 in Figure 3).

Holding the PROG_B input Low during the transition into Hibernation period keeps all output drivers in a high-impedance state. Release PROG_B after re-applying power to the V_{CCINT} and V_{CCAUX} rails. See **Special Considerations**, page 8 for recommended levels on Dedicated and Dual-Purpose pins.

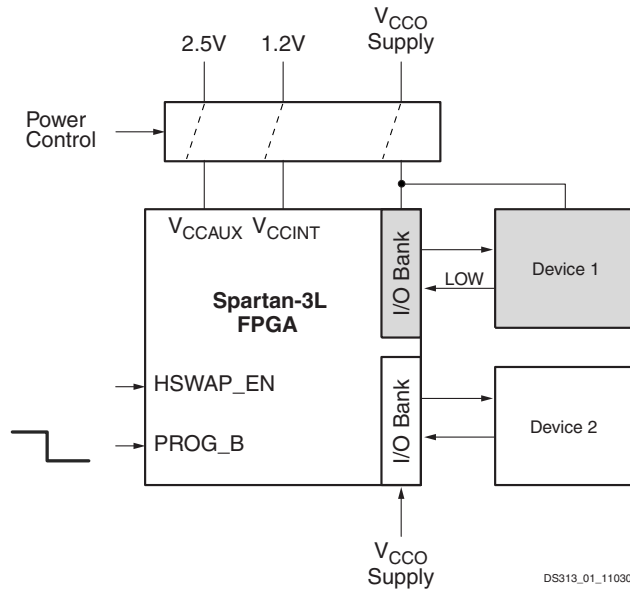
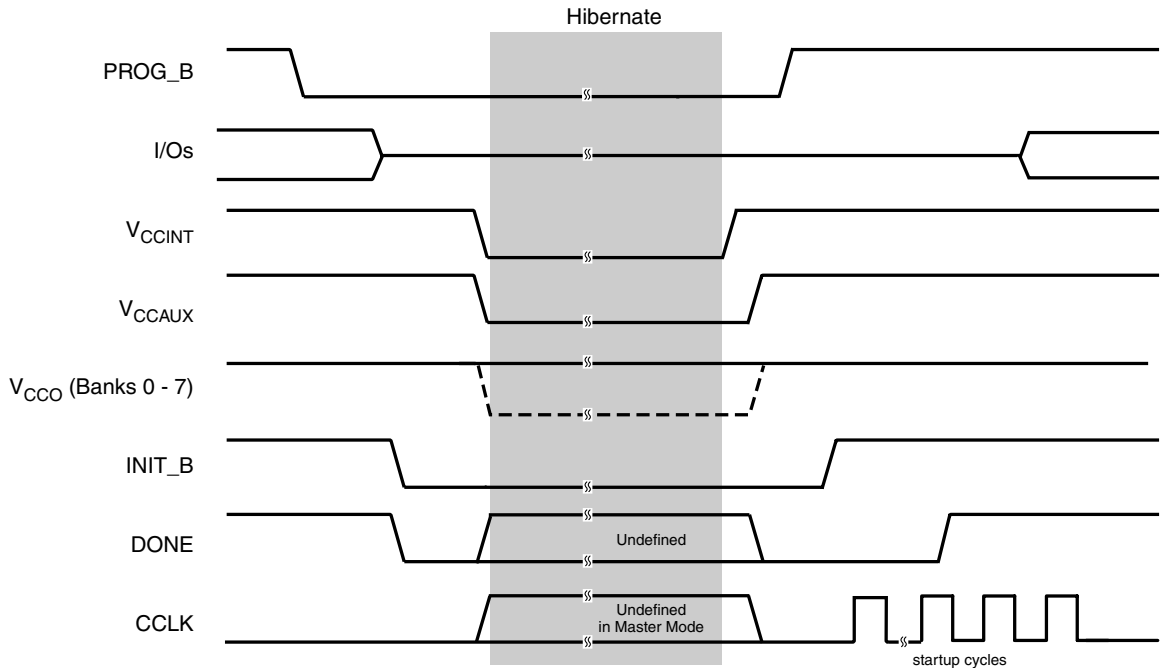


Figure 3: Hibernate Diagram



Notes:

1. See **Special Considerations**, page 8 for recommended levels on Dedicated and Dual-Purpose pins.

DS313_05_110304

Figure 4: Hibernate Mode Waveforms

Figure 4, page 7 shows the waveforms for entering and exiting the Hibernate mode.

The steps for entering the Hibernate mode are as follows:

1. Pull the PROG_B pin Low to put all I/Os into a high-impedance state.
2. The FPGA drives the INIT_B and DONE pins Low.
3. External switches are used to turn off the V_{CCINT} and V_{CCAUX} rails. This action resets the FPGA. As described above, it is possible to switch off V_{CCO} for a given bank in cases where the I/O pins of the associated bank are Low or disabled throughout the Hibernation period.
4. The FPGA is now in the Hibernate mode. As long as the FPGA is kept in this state, power consumption rests at the lowest possible level.

The steps for exiting the Hibernate mode are as follows:

1. Before FPGA initialization can begin, it is necessary to deassert PROG_B to a High logic level. The rising transition must occur after turning all three power supplies back on.
2. Reapply power to all rails that were switched off. Apply power in any sequence.
3. After logic initialization, the FPGA releases the open-drain INIT_B signal. Now that INIT_B is High, reconfiguration can begin.
4. When configuration is complete, the FPGA enters the Startup phase, asserts DONE, and enables the I/Os, according to how the BitGen options are set.
5. The FPGA is now ready for user operation.

Special Considerations

In the Hibernate mode, whenever one of the V_{CCO} rails is turned off, keep the voltage on the I/O pins of the associated bank below 0.5V. As an alternative, it is possible to disable any signals that an external device might apply to the bank's I/O pins. Voltages higher than 0.5V can turn on the power diodes. Keeping the diode off prevents "reverse current" from flowing into the V_{CCO} rail.

V_{CCO} Bank 4 powers the Dual-Purpose inputs: INIT_B, DIN, BUSY, and D0-D3. V_{CCO} Bank 5 powers the other Dual-Purpose inputs: RDWR_B, CS_B, and D4-D7. The V_{CCO} lines of Banks 0, 1, 4, and 5 power the Global Clock inputs GCLK0 - GCLK1, GCLK2 - GCLK3, GCLK4 - GCLK5, and GCLK6 - GCLK7, respectively. In the Hibernate mode, if any of these rails is turned off, do not apply voltages in excess of 0.5V to any of the associated Dual-Purpose pins. This measure keeps the power diodes off.

V_{CCAUX} powers the Dedicated inputs: PROG_B, HSWAP_EN, M0-M2, CCLK (in Slave mode), TDI, TCK, and TMS. Once in the Hibernate mode, do not apply voltages in excess of 0.5V to any of these pins. In this case, keeping the power diode off prevents a "reverse current" from flowing into the V_{CCAUX} rail.

V_{CCAUX} powers the Dedicated outputs: DONE, CCLK (in Master mode), and TDO. Once in the Hibernate mode, the states of these pins are undefined.

V_{CCO} Bank 4 powers the Dual-Purpose outputs: BUSY/DOUT. Whenever V_{CCO} Bank 4 is turned off during the Hibernation period, the state of this pin is undefined.

DC and Switching Characteristics

Like-density Spartan-3L and Spartan-3 devices share the same AC and DC specifications with the exceptions of reduced quiescent supply current consumption and specifications for the Hibernate mode. The reduced quiescent current levels are shown in [Table 4](#).

When in the Hibernate mode, Spartan-3L devices consume still less quiescent current, as shown in [Table 5](#). In this

Table 4: Quiescent Supply Current Characteristics

Symbol	Description	Device	Commercial		Units
			Typ	Max	
I _{CCINTQ}	Quiescent V _{CCINT} supply current	XC3S1000L	35.0	70.0	mA
		XC3S1500L	45.0	110.0	mA
		XC3S4000L	100.0	290.0	mA
I _{CCOQ}	Quiescent V _{CCO} supply current	XC3S1000L	2.0	7.5	mA
		XC3S1500L	2.5	8.5	mA
		XC3S4000L	3.5	11.0	mA
I _{CCAUXQ}	Quiescent V _{CCAUX} supply current	XC3S1000L	20.0	35.0	mA
		XC3S1500L	35.0	50.0	mA
		XC3S4000L	55.0	80.0	mA

Notes:

1. Quiescent supply current is measured with all I/O drivers in a high-impedance state and with all pull-up/pull-down resistors at the I/O pads disabled. Typical values are characterized using typical devices measured at ambient room temperature (T_A of 25°C at V_{CCINT} = 1.2V, V_{CCO} = 3.3V, and V_{CCAUX} = 2.5V). Maximum values are the production test limits measured for each device at T_J = 85°C and with V_{CCINT} = 1.26V, V_{CCO} = 3.45V, and V_{CCAUX} = 2.625V. The FPGA is programmed with a "blank" configuration data file (i.e., a design with no functional elements instantiated). For conditions other than those described above, (e.g., a design including functional elements, the use of DCI standards, etc.), measured quiescent current levels may be slightly higher than the values in the table. Use the Web Power Tool or XPower for more accurate estimates. See Note 2.
2. There are two recommended ways to estimate the total power consumption (quiescent plus dynamic) for a specific design: a) The Spartan-3 XPower Estimator at <http://www.xilinx.com/power> provides quick, approximate, typical estimates, and does not require a netlist of the design. b) XPower Analyzer, part of the Xilinx development software, takes a netlist as input to provide more accurate maximum and typical estimates.
3. The maximum numbers in this table indicate the minimum current each power rail requires in order for the FPGA to power-on successfully.

Table 5: Supply Current Characteristics for Hibernate Mode

Symbol	Description	Device	Commercial		Units
			Typ	Max	
I _{CCOH}	Quiescent V _{CCO} supply current in Hibernate mode	XC3S1000L	2.0	7.5	mA
		XC3S1500L	2.5	8.5	mA
		XC3S4000L	3.5	11.0	mA

Notes:

1. Quiescent supply current is measured with all I/O drivers in a high-impedance state and with pull-up/pull-down resistors at all I/O pads disabled. For maximum I_{CCOH} values, T_J = 85°C with V_{CCO} (all banks) = 3.45V, V_{CCINT} = 0V and V_{CCAUX} = 0V. PROG_B is Low.

Pinout Descriptions

Spartan-3L and Spartan-3 devices that correspond in density and package have the same pinout. See the Pinout

Descriptions in Module 4 of the Spartan-3 data sheet ([DS099](#)) for more information.

Related Documentation

This data sheet only specifies how the Spartan-3L family differs from the Spartan-3 family. Because the two families are identical with respect to function, features, timing, and

pinout, please consult the Spartan-3 FPGA family data sheet for all other information.

[DS099](#), *Spartan-3 FPGA Family Data Sheet*

Revision History

The following table shows the revision history for this document.

Date	Version	Revision
11/03/04	1.0	Initial Xilinx release.
09/15/04	1.1	Added the SSTL18_II, DIFF_SSTL2_II, and DIFF_HSTL_II_18 standards (Table 2). Described option for retaining the bitmap in Achieving Low Quiescent Current Levels , page 6 . Removed power sequence restriction for Hibernate mode (page 8). Added or updated quiescent current specifications (Table 4 and Table 5). Updated the worst-case T_J condition in footnote 1 of Table 4 . Changed document status to "Preliminary".
04/18/08	1.2	Added reference to Discontinuation Notice . Updated links. Removed Preliminary from document status.

OUR CERTIFICATE

DiGi provide top-quality products and perfect service for customer worldwide through standardization, technological innovation and continuous improvement. DiGi through third-party certification, we strictly control the quality of products and services. Welcome your RFQ to

Email: Info@DiGi-Electronics.com



Tel: +00 852-30501935

RFQ Email: Info@DiGi-Electronics.com

DiGi is a global authorized distributor of electronic components.