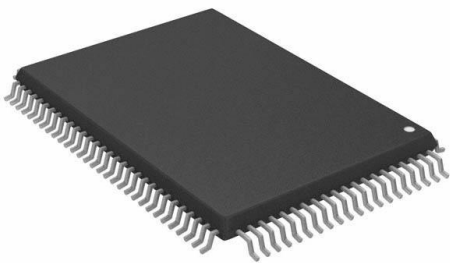


XC95144-10PQ100I Datasheet

www.digi-electronics.com



XC95144-10PQ100I

<https://www.DiGi-Electronics.com>

DiGi Electronics Part Number	XC95144-10PQ100I-DG
Manufacturer	AMD
Manufacturer Product Number	XC95144-10PQ100I
Description	IC CPLD 144MC 10NS 100QFP
Detailed Description	Embedded, Integrated Circuits (ICs)



Tel: +00 852-30501935

RFQ Email: Info@DiGi-Electronics.com

DiGi is a global authorized distributor of electronic components.

Purchase and inquiry

Manufacturer Product Number:

XC95144-10PQ100I

Series:

XC9500

DiGi-Electronics Programmable:

Not Verified

Delay Time tpd(1) Max:

10 ns

Number of Logic Elements/Blocks:

8

Number of Gates:

3200

Operating Temperature:

-40°C ~ 85°C (TA)

Package / Case:

100-BQFP

Base Product Number:

XC95144

Manufacturer:

AMD

Product Status:

Obsolete

Programmable Type:

In System Programmable (min 10K program/erase cycles)

Voltage Supply - Internal:

4.5V ~ 5.5V

Number of Macrocells:

144

Number of I/O:

81

Mounting Type:

Surface Mount

Supplier Device Package:

100-PQFP (20x14)

Environmental & Export classification

RoHS Status:

RoHS non-compliant

REACH Status:

REACH Unaffected

HTSUS:

8542.39.0001

Moisture Sensitivity Level (MSL):

3 (168 Hours)

ECCN:

EAR99



XC95144 In-System Programmable CPLD

DS067 (v6.0) May 17, 2013

Product Specification

Features

- 7.5 ns pin-to-pin logic delays on all pins
- f_{CNT} to 111 MHz
- 144 macrocells with 3,200 usable gates
- Up to 133 user I/O pins
- 5V in-system programmable
 - Endurance of 10,000 program/erase cycles
 - Program/erase over full commercial voltage and temperature range
- Enhanced pin-locking architecture
- Flexible 36V18 Function Block (FB)
 - 90 product terms drive any or all of 18 macrocells within Function Block
 - Global and product term clocks, output enables, set and reset signals
- Extensive IEEE Std 1149.1 boundary-scan (JTAG) support
- Programmable power reduction mode in each macrocell
- Slew rate control on individual outputs
- User programmable ground pin capability
- Extended pattern security features for design protection
- High-drive 24 mA outputs
- 3.3V or 5V I/O capability
- Advanced CMOS 5V FastFLASH technology
- Supports parallel programming of more than one XC9500 concurrently
- Available in 100-pin PQFP, 100-pin TQFP, and 160-pin PQFP packages

Description

The XC95144 is a high-performance CPLD providing advanced in-system programming and test capabilities for general purpose logic integration. It is comprised of eight 36V18 Function Blocks, providing 3,200 usable gates with propagation delays of 7.5 ns. See [Figure 2](#) for the architecture overview.

Power Management

Power dissipation can be reduced in the XC95144 by configuring macrocells to standard or low-power modes of operation. Unused macrocells are turned off to minimize power dissipation.

Operating current for each design can be approximated for specific operating conditions using the following equation:

$$I_{CC} \text{ (mA)} = MC_{HP} (1.7) + MC_{LP} (0.9) + MC (0.006 \text{ mA/MHz}) f$$

Where:

MC_{HP} = Macrocells in high-performance mode

MC_{LP} = Macrocells in low-power mode

MC = Total number of macrocells used

f = Clock frequency (MHz)

[Figure 1](#) shows a typical calculation for the XC95144 device.

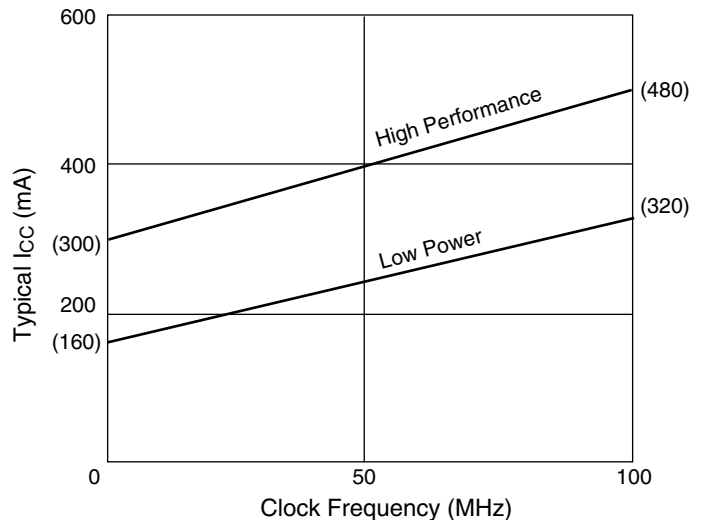
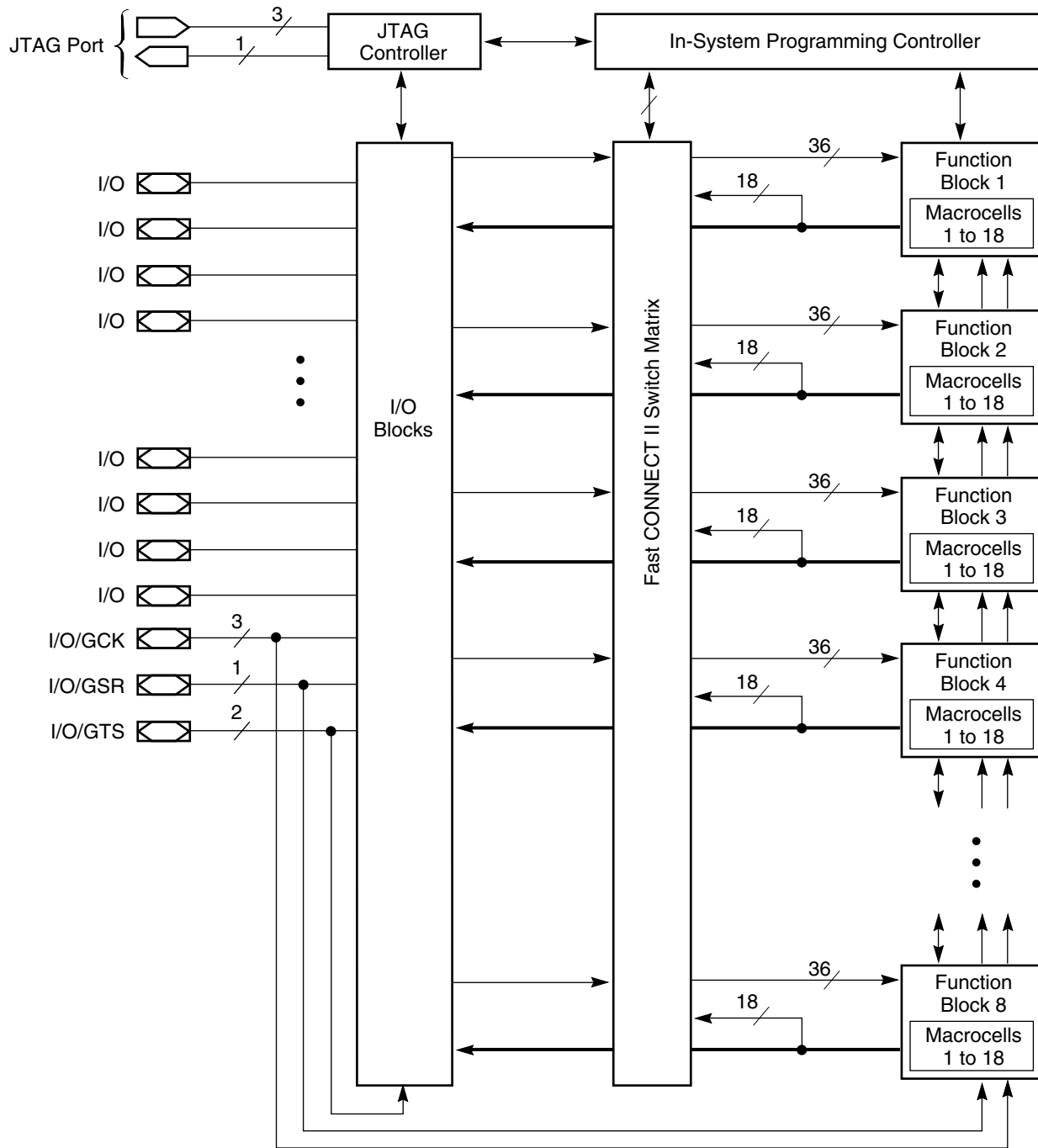


Figure 1: Typical I_{CC} vs. Frequency for XC95144



DS067_02_110101

Figure 2: XC95144 Architecture

Function block outputs (indicated by the bold line) drive the I/O blocks directly.

Absolute Maximum Ratings

Symbol	Description	Value	Units
V_{CC}	Supply voltage relative to GND	-0.5 to 7.0	V
V_{IN}	Input voltage relative to GND	-0.5 to $V_{CC} + 0.5$	V
V_{TS}	Voltage applied to 3-state output	-0.5 to $V_{CC} + 0.5$	V
T_{STG}	Storage temperature (ambient)	-65 to +150	°C
T_J	Junction temperature	+150	°C

Notes:

- Stresses beyond those listed under Absolute Maximum Ratings may cause permanent damage to the device. These are stress ratings only, and functional operation of the device at these or any other conditions beyond those listed under Operating Conditions is not implied. Exposure to Absolute Maximum Ratings conditions for extended periods of time may affect device reliability.

Recommended Operation Conditions

Symbol	Parameter		Min	Max	Units
V_{CCINT}	Supply voltage for internal logic and input buffers	Commercial $T_A = 0^\circ\text{C}$ to 70°C	4.75	5.25	V
		Industrial $T_A = -40^\circ\text{C}$ to $+85^\circ\text{C}$	4.5	5.5	
V_{CCIO}	Supply voltage for output drivers for 5V operation	Commercial $T_A = 0^\circ\text{C}$ to 70°C	4.75	5.25	V
		Industrial $T_A = -40^\circ\text{C}$ to $+85^\circ\text{C}$	4.5	5.5	
	Supply voltage for output drivers for 3.3V operation	3.0	3.6		
V_{IL}	Low-level input voltage		0	0.80	V
V_{IH}	High-level input voltage		2.0	$V_{CCINT} + 0.5$	V
V_O	Output voltage		0	V_{CCIO}	V

Quality and Reliability Characteristics

Symbol	Parameter	Min	Max	Units
T_{DR}	Data Retention	20	-	Years
N_{PE}	Program/Erase Cycles (Endurance)	10,000	-	Cycles

DC Characteristic Over Recommended Operating Conditions

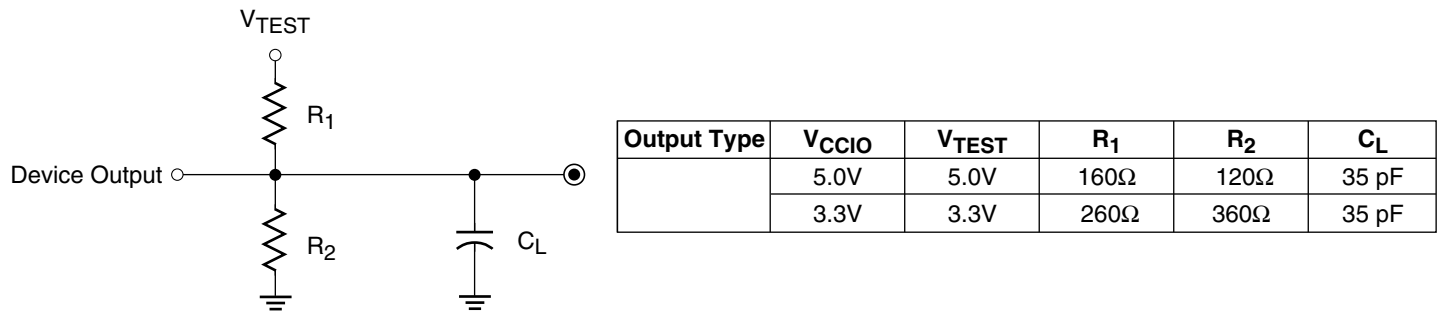
Symbol	Parameter	Test Conditions	Min	Max	Units
V_{OH}	Output high voltage for 5V outputs	$I_{OH} = -4.0\text{ mA}$, $V_{CC} = \text{Min}$	2.4	-	V
	Output high voltage for 3.3V outputs	$I_{OH} = -3.2\text{ mA}$, $V_{CC} = \text{Min}$	2.4	-	V
V_{OL}	Output low voltage for 5V outputs	$I_{OL} = 24\text{ mA}$, $V_{CC} = \text{Min}$	-	0.5	V
	Output low voltage for 3.3V outputs	$I_{OL} = 10\text{ mA}$, $V_{CC} = \text{Min}$	-	0.4	V
I_{IL}	Input leakage current	$V_{CC} = \text{Max}$ $V_{IN} = \text{GND or } V_{CC}$	-	± 10	μA
I_{IH}	I/O high-Z leakage current	$V_{CC} = \text{Max}$ $V_{IN} = \text{GND or } V_{CC}$	-	± 10	μA
C_{IN}	I/O capacitance	$V_{IN} = \text{GND}$ $f = 1.0\text{ MHz}$	-	10	pF
I_{CC}	Operating supply current (low power mode, active)	$V_I = \text{GND}$, No load $f = 1.0\text{ MHz}$	160 (Typical)		mA

AC Characteristics

Symbol	Parameter	XC95144-7		XC95144-10		XC95144-15		Units
		Min	Max	Min	Max	Min	Max	
T_{PD}	I/O to output valid	-	7.5	-	10.0	-	15.0	ns
T_{SU}	I/O setup time before GCK	4.5	-	6.0	-	8.0	-	ns
T_H	I/O hold time after GCK	0	-	0	-	0	-	ns
T_{CO}	GCK to output valid	-	4.5	-	6.0	-	8.0	ns
$f_{CNT}^{(1)}$	16-bit counter frequency	125.0	-	111.1	-	95.2	-	MHz
$f_{SYSTEM}^{(2)}$	Multiple FB internal operating frequency	83.3	-	66.7	-	55.6	-	MHz
T_{PSU}	I/O setup time before p-term clock input	0.5	-	2.0	-	4.0	-	ns
T_{PH}	I/O hold time after p-term clock input	4.0	-	4.0	-	4.0	-	ns
T_{PCO}	P-term clock output valid	-	8.5	-	10.0	-	12.0	ns
T_{OE}	GTS to output valid	-	5.5	-	6.0	-	11.0	ns
T_{OD}	GTS to output disable	-	5.5	-	6.0	-	11.0	ns
T_{POE}	Product term OE to output enabled	-	9.5	-	10.0	-	14.0	ns
T_{POD}	Product term OE to output disabled	-	9.5	-	10.0	-	14.0	ns
T_{WLH}	GCK pulse width (High or Low)	4.0	-	4.5	-	5.5	-	ns
T_{APRPW}	Asynchronous preset/reset pulse width (High or Low)	7.0	-	7.5	-	8.0	-	ns

Notes:

- f_{CNT} is the fastest 16-bit counter frequency available, using the local feedback when applicable. f_{CNT} is also the Export Control Maximum flip-flop toggle rate, f_{TOG} .
- f_{SYSTEM} is the internal operating frequency for general purpose system designs spanning multiple FBs.



DS067_03_110101

Figure 3: AC Load Circuit

Internal Timing Parameters

Symbol	Parameter	XC95144-7		XC95144-10		XC95144-15		Units
		Min	Max	Min	Max	Min	Max	
Buffer Delays								
T_{IN}	Input buffer delay	-	2.5	-	3.5	-	4.5	ns
T_{GCK}	GCK buffer delay	-	1.5	-	2.5	-	3.0	ns
T_{GSR}	GSR buffer delay	-	4.5	-	6.0	-	7.5	ns
T_{GTS}	GTS buffer delay	-	5.5	-	6.0	-	11.0	ns
T_{OUT}	Output buffer delay	-	2.5	-	3.0	-	4.5	ns
T_{EN}	Output buffer enable/disable delay	-	0	-	0	-	0	ns
Product Term Control Delays								
T_{PTCK}	Product term clock delay	-	3.0	-	3.0	-	2.5	ns
T_{PTSR}	Product term set/reset delay	-	2.0	-	2.5	-	3.0	ns
T_{PTTS}	Product term 3-state delay	-	4.5	-	3.5	-	5.0	ns
Internal Register and Combinatorial Delays								
T_{PDI}	Combinatorial logic propagation delay	-	0.5	-	1.0	-	3.0	ns
T_{SUI}	Register setup time	1.5	-	2.5	-	3.5	-	ns
T_{HI}	Register hold time	3.0	-	3.5	-	4.5	-	ns
T_{COI}	Register clock to output valid time	-	0.5	-	0.5	-	0.5	ns
T_{AOI}	Register async. S/R to output delay	-	6.5	-	7.0	-	8.0	ns
T_{RAI}	Register async. S/R recover before clock	7.5	-	10.0	-	10.0	-	ns
T_{LOGI}	Internal logic delay	-	2.0	-	2.5	-	3.0	ns
T_{LOGILP}	Internal low power logic delay	-	10.0	-	11.0	-	11.5	ns
Feedback Delays								
T_F	FastCONNECT feedback delay	-	8.0	-	9.5	-	11.0	ns
T_{LF}	Function block local feedback delay	-	4.0	-	3.5	-	3.5	ns
Time Adders								
$T_{PTA}^{(1)}$	Incremental product term allocator delay	-	1.0	-	1.0	-	1.0	ns
T_{SLEW}	Slew-rate limited delay	-	4.0	-	4.5	-	5.0	ns

Notes:

- T_{PTA} is multiplied by the span of the function as defined in the XC9500 family data sheet.

XC95144 I/O Pins

Function Block	Macro-cell	TQ100	PQ100	PQ160	BScan Order
1	1	–	–	25	429
1	2	11	13	18	426
1	3	12	14	19	423
1	4	–	–	27	420
1	5	13	15	21	417
1	6	14	16	22	414
1	7	–	–	32	411
1	8	15	17	23	408
1	9	16	18	24	405
1	10	–	–	34	402
1	11	17	19	26	399
1	12	18	20	28	396
1	13	–	–	38	393
1	14	19	21	29	390
1	15	20	22	30	387
1	16	–	–	39	384
1	17	22 ^[1]	24 ^[1]	33 ^[1]	381 ^[1]
1	18	–	–	–	378
2	1	–	–	158	375
2	2	99 ^[1]	1 ^[1]	159 ^[1]	372 ^[1]
2	3	–	–	3	369
2	4	–	–	5	366
2	5	1 ^[1]	3 ^[1]	2 ^[1]	363 ^[1]
2	6	2 ^[1]	4 ^[1]	4 ^[1]	360 ^[1]
2	7	–	–	7	357
2	8	3 ^[1]	5 ^[1]	6 ^[1]	354 ^[1]
2	9	4 ^[1]	6 ^[1]	8 ^[1]	351 ^[1]
2	10	–	–	9	348
2	11	6	8	11	345
2	12	7	9	12	342
2	13	–	–	14	339
2	14	8	10	13	336
2	15	9	11	15	333
2	16	–	–	16	330
2	17	10	12	17	327
2	18	–	–	–	324

Function Block	Macro-cell	TQ100	PQ100	PQ160	BScan Order
3	1	–	–	43	321
3	2	23 ^[1]	25 ^[1]	35 ^[1]	318 ^[1]
3	3	–	–	45	315
3	4	–	–	48	312
3	5	24	26	36	309
3	6	25	27	37	306
3	7	–	–	50	303
3	8	27 ^[1]	29 ^[1]	42 ^[1]	300 ^[1]
3	9	28	30	44	297
3	10	–	–	52	294
3	11	29	31	47	291
3	12	30	32	49	288
3	13	–	–	53	285
3	14	32	34	54	282
3	15	33	35	56	279
3	16	–	–	55	276
3	17	34	36	57	273
3	18	–	–	–	270
4	1	–	–	132	267
4	2	87	89	140	264
4	3	–	–	147	261
4	4	–	–	149	258
4	5	89	91	142	255
4	6	90	92	143	252
4	7	–	–	150	249
4	8	91	93	144	246
4	9	92	94	145	243
4	10	–	–	151	240
4	11	93	95	146	237
4	12	94	96	148	234
4	13	–	–	153	231
4	14	95	97	152	228
4	15	96	98	154	225
4	16	–	–	155	222
4	17	97	99	156	219
4	18	–	–	–	216

Notes:

- Global control pin. Macrocell outputs to package pins subject to change, contact factory for latest information. Power, GND, JTAG, and Global Signals are fixed.

XC95144 I/O Pins (Continued)

Function Block	Macro-cell	TQ100	PQ100	PQ160	BScan Order
5	1	–	–	65	213
5	2	35	37	58	210
5	3	–	–	66	207
5	4	–	–	67	204
5	5	36	38	59	201
5	6	37	39	60	198
5	7	–	–	74	195
5	8	39	41	62	192
5	9	40	42	63	189
5	10	–	–	76	186
5	11	41	43	64	183
5	12	42	44	68	180
5	13	–	–	78	177
5	14	43	45	69	174
5	15	46	48	72	171
5	16	–	–	83	168
5	17	49	51	77	165
5	18	–	–	–	162
6	1	–	–	–	159
6	2	74	76	117	156
6	3	–	–	119	153
6	4	–	–	123	150
6	5	76	78	122	147
6	6	77	79	124	144
6	7	–	–	125	141
6	8	78	80	126	138
6	9	79	81	129	135
6	10	–	–	128	132
6	11	80	82	133	129
6	12	81	83	134	126
6	13	–	–	130	123
6	14	82	84	135	120
6	15	85	87	138	117
6	16	–	–	131	114
6	17	86	88	139	111
6	18	–	–	–	108

Function Block	Macro-cell	TQ100	PQ100	PQ160	BScan Order
7	1	–	–	–	105
7	2	50	52	79	102
7	3	–	–	84	99
7	4	–	–	85	96
7	5	52	54	82	93
7	6	53	55	86	90
7	7	–	–	87	87
7	8	54	56	88	84
7	9	55	57	90	81
7	10	–	–	89	78
7	11	56	58	92	75
7	12	58	60	95	72
7	13	–	–	91	69
7	14	59	61	96	66
7	15	60	62	97	63
7	16	–	–	93	60
7	17	61	63	98	57
7	18	–	–	–	54
8	1	–	–	–	51
8	2	63	65	101	48
8	3	–	–	105	45
8	4	–	–	107	42
8	5	64	66	102	39
8	6	65	67	103	36
8	7	–	–	109	33
8	8	66	68	104	30
8	9	67	69	106	27
8	10	–	–	112	24
8	11	68	70	108	21
8	12	70	72	111	18
8	13	–	–	114	15
8	14	71	73	113	12
8	15	72	74	115	9
8	16	–	–	118	6
8	17	73	75	116	3
8	18	–	–	–	0

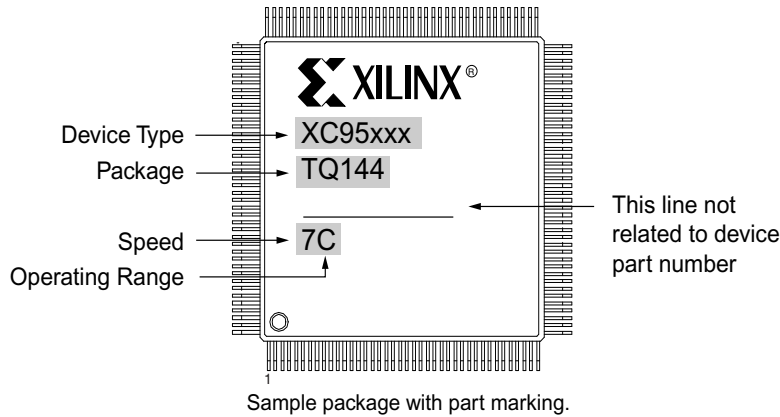
Notes:

- Global control pin.
Macrocell outputs to package pins subject to change, contact factory for latest information. Power, GND, JTAG, and Global Signals are fixed.

XC95144 Global, JTAG, and Power Pins

Pin Type	TQ100	PQ100	PQ160
I/O/GCK1	22	24	33
I/O/GCK2	23	25	35
I/O/GCK3	27	29	42
I/O/GTS1	3	5	6
I/O/GTS2	4	6	8
I/O/GTS3	1	3	2
I/O/GTS4	2	4	4
I/O/GSR	99	1	159
TCK	48	50	75
TDI	45	47	71
TDO	83	85	136
TMS	47	49	73
V _{CCINT} 5V	5, 57, 98	7, 59, 100	10, 46, 94, 157
V _{CCIO} 3.3V/5V	26, 38, 51, 88	28, 40, 53, 90	1, 41, 61, 81, 121, 141
GND	100, 21, 31, 44, 62, 69, 75, 84	2, 23, 33, 46, 64, 71, 77, 86	20, 31, 40, 51, 70, 80, 99, 100, 110, 120, 127, 137, 160
No Connects	–	–	–

Device Part Marking and Ordering Combination Information



Device Ordering and Part Marking Number	Speed (pin-to-pin delay)	Pkg. Symbol	No. of Pins	Package Type	Operating Range ⁽¹⁾
XC95144-7PQ100C	7.5 ns	PQ100	100-pin	Plastic Quad Flat Pack (PQFP)	C
XC95144-7PQG100C	7.5 ns	PQG100	100-pin	Plastic Quad Flat Pack (PQFP); Pb-Free	C
XC95144-7TQ100C	7.5 ns	TQ100	100-pin	Thin Quad Flat Pack (TQFP)	C
XC95144-7TQG100C	7.5 ns	TQG100	100-pin	Thin Quad Flat Pack (TQFP); Pb-Free	C
XC95144-7PQ160C	7.5 ns	PQ160	160-pin	Plastic Quad Flat Pack (PQFP)	C
XC95144-7PQG160C	7.5 ns	PQG160	160-pin	Plastic Quad Flat Pack (PQFP); Pb-Free	C
XC95144-10PQ100C	10 ns	PQ100	100-pin	Plastic Quad Flat Pack (PQFP)	C
XC95144-10PQG100C	10 ns	PQG100	100-pin	Plastic Quad Flat Pack (PQFP); Pb-Free	C
XC95144-10TQ100C	10 ns	TQ100	100-pin	Thin Quad Flat Pack (TQFP)	C
XC95144-10TQG100C	10 ns	TQG100	100-pin	Thin Quad Flat Pack (TQFP); Pb-Free	C
XC95144-10PQ160C	10 ns	PQ160	160-pin	Plastic Quad Flat Pack (PQFP)	C
XC95144-10PQG160C	10 ns	PQG160	160-pin	Plastic Quad Flat Pack (PQFP); Pb-Free	C
XC95144-10PQ100I	10 ns	PQ100	100-pin	Plastic Quad Flat Pack (PQFP)	I
XC95144-10PQG100I	10 ns	PQG100	100-pin	Plastic Quad Flat Pack (PQFP); Pb-Free	I
XC95144-10TQ100I	10 ns	TQ100	100-pin	Thin Quad Flat Pack (TQFP)	I
XC95144-10TQG100I	10 ns	TQG100	100-pin	Thin Quad Flat Pack (TQFP); Pb-Free	I
XC95144-10PQ160I	10 ns	PQ160	160-pin	Plastic Quad Flat Pack (PQFP)	I
XC95144-10PQG160I	10 ns	PQG160	160-pin	Plastic Quad Flat Pack (PQFP); Pb-Free	I
XC95144-15PQ100C	15 ns	PQ100	100-pin	Plastic Quad Flat Pack (PQFP)	C
XC95144-15PQG100C	15 ns	PQG100	100-pin	Plastic Quad Flat Pack (PQFP); Pb-Free	C
XC95144-15TQ100C	15 ns	TQ100	100-pin	Thin Quad Flat Pack (TQFP)	C
XC95144-15TQG100C	15 ns	TQG100	100-pin	Thin Quad Flat Pack (TQFP); Pb-Free	C
XC95144-15PQ160C	15 ns	PQ160	160-pin	Plastic Quad Flat Pack (PQFP)	C
XC95144-15PQG160C	15 ns	PQG160	160-pin	Plastic Quad Flat Pack (PQFP); Pb-Free	C
XC95144-15PQ100I	15 ns	PQ100	100-pin	Plastic Quad Flat Pack (PQFP)	I
XC95144-15PQG100I	15 ns	PQG100	100-pin	Plastic Quad Flat Pack (PQFP); Pb-Free	I
XC95144-15TQ100I	15 ns	TQ100	100-pin	Thin Quad Flat Pack (TQFP)	I
XC95144-15TQG100I	15 ns	TQG100	100-pin	Thin Quad Flat Pack (TQFP); Pb-Free	I

Device Ordering and Part Marking Number	Speed (pin-to-pin delay)	Pkg. Symbol	No. of Pins	Package Type	Operating Range ⁽¹⁾
XC95144-15PQ160I	15 ns	PQ160	160-pin	Plastic Quad Flat Pack (PQFP)	I
XC95144-15PQG160I	15 ns	PQG160	160-pin	Plastic Quad Flat Pack (PQFP); Pb-Free	I

Notes:

1. C = Commercial: T_A = 0° to +70°C; I = Industrial: T_A = -40° to +85°C

Revision History

The following table shows the revision history for this document.

Date	Version	Revision
12/04/1998	4.0	Update AC characteristics and internal parameters.
06/18/2003	5.0	Updated format.
08/21/2003	5.1	Updated Package Device Marking Pin 1 orientation.
11/06/2003	5.2	Update pin count on PQ160 packages.
02/16/2004	5.3	Correct GTS pin information by removing rows on GTS3 GTS4 from table on page 8. Add links to additional information.
04/15/2005	5.4	Added asynchronous preset/reset pulse width specification (T _{APRPW}).
01/03/2006	5.5	Added GTS3 and GTS4 pins to table on page 8.
04/03/2006	5.6	Added Warranty Disclaimer. Added Pb-Free package ordering information.
05/28/2009	5.7	Removed table note reference from Function Block 2, Macrocell 3 in XC95144 I/O Pins .
05/17/2013	6.0	The products listed in this data sheet are obsolete. See XCN11010 for further information.

Notice of Disclaimer

THE XILINX HARDWARE FPGA AND CPLD DEVICES REFERRED TO HEREIN (“PRODUCTS”) ARE SUBJECT TO THE TERMS AND CONDITIONS OF THE XILINX LIMITED WARRANTY WHICH CAN BE VIEWED AT <http://www.xilinx.com/warranty.htm>. THIS LIMITED WARRANTY DOES NOT EXTEND TO ANY USE OF PRODUCTS IN AN APPLICATION OR ENVIRONMENT THAT IS NOT WITHIN THE SPECIFICATIONS STATED IN THE XILINX DATA SHEET. ALL SPECIFICATIONS ARE SUBJECT TO CHANGE WITHOUT NOTICE. PRODUCTS ARE NOT DESIGNED OR INTENDED TO BE FAIL-SAFE OR FOR USE IN ANY APPLICATION REQUIRING FAIL-SAFE PERFORMANCE, SUCH AS LIFE-SUPPORT OR SAFETY DEVICES OR SYSTEMS, OR ANY OTHER APPLICATION THAT INVOKES THE POTENTIAL RISKS OF DEATH, PERSONAL INJURY, OR PROPERTY OR ENVIRONMENTAL DAMAGE (“CRITICAL APPLICATIONS”). USE OF PRODUCTS IN CRITICAL APPLICATIONS IS AT THE SOLE RISK OF CUSTOMER, SUBJECT TO APPLICABLE LAWS AND REGULATIONS.

OUR CERTIFICATE

DiGi provide top-quality products and perfect service for customer worldwide through standardization, technological innovation and continuous improvement. DiGi through third-party certification, we stricly control the quality of products and services. Welcome your RFQ to

Email: Info@DiGi-Electronics.com



Tel: +00 852-30501935

RFQ Email: Info@DiGi-Electronics.com

DiGi is a global authorized distributor of electronic components.