

# XC9572XL-5CSG48C Datasheet

[www.digi-electronics.com](http://www.digi-electronics.com)



XC9572XL-5CSG48C

<https://www.DiGi-Electronics.com>

|                              |                                     |
|------------------------------|-------------------------------------|
| DiGi Electronics Part Number | XC9572XL-5CSG48C-DG                 |
| Manufacturer                 | <a href="#">AMD</a>                 |
| Manufacturer Product Number  | XC9572XL-5CSG48C                    |
| Description                  | IC CPLD 72MC 5NS 48CSBGA            |
| Detailed Description         | Embedded, Integrated Circuits (ICs) |



Tel: +00 852-30501935

RFQ Email: [Info@DiGi-Electronics.com](mailto:Info@DiGi-Electronics.com)

DiGi is a global authorized distributor of electronic components.

## Purchase and inquiry

Manufacturer Product Number:

XC9572XL-5CSG48C

Series:

XC9500XL

DiGi-Electronics Programmable:

Not Verified

Delay Time tpd(1) Max:

5 ns

Number of Logic Elements/Blocks:

4

Number of Gates:

1600

Operating Temperature:

0°C ~ 70°C (TA)

Package / Case:

48-FBGA, CSPBGA

Base Product Number:

XC9572

Manufacturer:

AMD

Product Status:

Last Time Buy

Programmable Type:

In System Programmable (min 10K program/erase cycles)

Voltage Supply - Internal:

3V ~ 3.6V

Number of Macrocells:

72

Number of I/O:

38

Mounting Type:

Surface Mount

Supplier Device Package:

48-CSBGA (7x7)

## Environmental & Export classification

RoHS Status:

ROHS3 Compliant

REACH Status:

REACH Unaffected

HTSUS:

8542.39.0001

Moisture Sensitivity Level (MSL):

3 (168 Hours)

ECCN:

EAR99



## XC9572XL High Performance CPLD

DS057 (v2.0) April 3, 2007

### Product Specification

### Features

- 5 ns pin-to-pin logic delays
- System frequency up to 178 MHz
- 72 macrocells with 1,600 usable gates
- Available in small footprint packages
  - 44-pin PLCC (34 user I/O pins)
  - 44-pin VQFP (34 user I/O pins)
  - 48-pin CSP (38 user I/O pins)
  - 64-pin VQFP (52 user I/O pins)
  - 100-pin TQFP (72 user I/O pins)
  - Pb-free available for all packages
- Optimized for high-performance 3.3V systems
  - Low power operation
  - 5V tolerant I/O pins accept 5V, 3.3V, and 2.5V signals
  - 3.3V or 2.5V output capability
  - Advanced 0.35 micron feature size CMOS Fast FLASH™ technology
- Advanced system features
  - In-system programmable
  - Superior pin-locking and routability with Fast CONNECT™ II switch matrix
  - Extra wide 54-input Function Blocks
  - Up to 90 product-terms per macrocell with individual product-term allocation
  - Local clock inversion with three global and one product-term clocks
  - Individual output enable per output pin
  - Input hysteresis on all user and boundary-scan pin inputs
  - Bus-hold circuitry on all user pin inputs
  - Full IEEE Standard 1149.1 boundary-scan (JTAG)
- Fast concurrent programming
- Slew rate control on individual outputs
- Enhanced data security features
- Excellent quality and reliability
  - Endurance exceeding 10,000 program/erase cycles
  - 20 year data retention
  - ESD protection exceeding 2,000V
- Pin-compatible with 5V-core XC9572 device in the 44-pin PLCC package and the 100-pin TQFP package

WARNING: Programming temperature range of  
 $T_A = 0^\circ \text{C}$  to  $+70^\circ \text{C}$

### Description

The XC9572XL is a 3.3V CPLD targeted for high-performance, low-voltage applications in leading-edge communi-

cations and computing systems. It is comprised of four 54V18 Function Blocks, providing 1,600 usable gates with propagation delays of 5 ns. See [Figure 2](#) for overview.

### Power Estimation

Power dissipation in CPLDs can vary substantially depending on the system frequency, design application and output loading. To help reduce power dissipation, each macrocell in a XC9500XL device may be configured for low-power mode (from the default high-performance mode). In addition, unused product-terms and macrocells are automatically deactivated by the software to further conserve power.

For a general estimate of  $I_{CC}$ , the following equation may be used:

$$I_{CC}(\text{mA}) = MC_{HS}(0.175 \cdot PT_{HS} + 0.345) + MC_{LP}(0.052 \cdot PT_{LP} + 0.272) + 0.04 \cdot MC_{TOG}(MC_{HS} + MC_{LP}) \cdot f$$

where:

$MC_{HS}$  = # macrocells in high-speed configuration

$PT_{HS}$  = average number of high-speed product terms per macrocell

$MC_{LP}$  = # macrocells in low power configuration

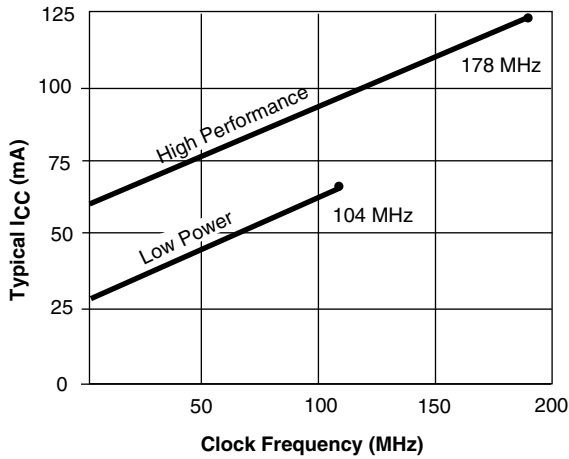
$PT_{LP}$  = average number of low power product terms per macrocell

$f$  = maximum clock frequency

$MCTOG$  = average % of flip-flops toggling per clock (~12%)

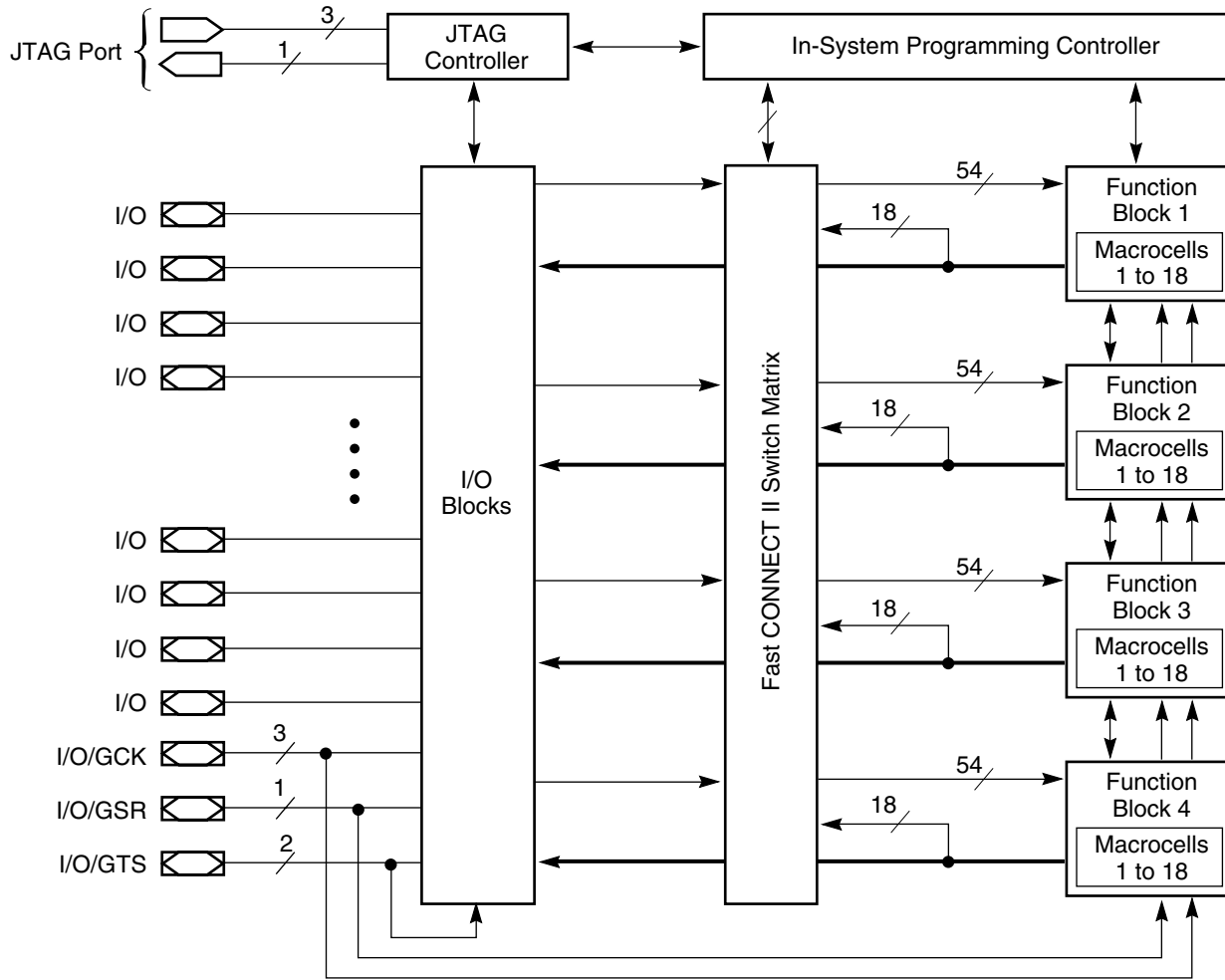
This calculation was derived from laboratory measurements of an XC9500XL part filled with 16-bit counters and allowing a single output (the LSB) to be enabled. The actual  $I_{CC}$  value varies with the design application and should be verified during normal system operation. [Figure 1](#) shows the above estimation in a graphical form. For a more detailed discussion of power consumption in this device, see Xilinx

application note [XAPP114, "Understanding XC9500XL CPLD Power."](#)



DS057\_01\_010102

Figure 1: Typical ICC vs. Frequency for XC9572XL



DS057\_02\_082800

Figure 2: XC9572XL Architecture

Function Block outputs (indicated by the bold line) drive the I/O Blocks directly.

## Absolute Maximum Ratings<sup>(2)</sup>

| Symbol    | Description                                      | Value       | Units |
|-----------|--|-------------|-------|
| $V_{CC}$  | Supply voltage relative to GND                   | -0.5 to 4.0 | V     |
| $V_{IN}$  | Input voltage relative to GND <sup>(1)</sup>     | -0.5 to 5.5 | V     |
| $V_{TS}$  | Voltage applied to 3-state output <sup>(1)</sup> | -0.5 to 5.5 | V     |
| $T_{STG}$ | Storage temperature (ambient) <sup>(3)</sup>     | -65 to +150 | °C    |
| $T_J$     | Junction temperature                             | +150        | °C    |

**Notes:**

- Maximum DC undershoot below GND must be limited to either 0.5V or 10 mA, whichever is easier to achieve. During transitions, the device pins may undershoot to -2.0 V or overshoot to +7.0V, provided this over- or undershoot lasts less than 10 ns and with the forcing current being limited to 200 mA. External I/O voltage may not exceed  $V_{CCINT}$  by 4.0V.
- Stresses beyond those listed under Absolute Maximum Ratings may cause permanent damage to the device. These are stress ratings only, and functional operation of the device at these or any other conditions beyond those listed under Operating Conditions is not implied. Exposure to Absolute Maximum Ratings conditions for extended periods of time may affect device reliability.
- For soldering guidelines and thermal considerations, see the [Device Packaging](#) information on the Xilinx website. For Pb-free packages, see [XAPP427](#).

## Recommended Operation Conditions

| Symbol      | Parameter  | Min   | Max        | Units |   |
|-------------|--|---|------------|-------|---|
| $V_{CCINT}$ | Supply voltage for internal logic and input buffers  | Commercial $T_A = 0^\circ\text{C}$ to $70^\circ\text{C}$    | 3.0        | 3.6   | V |
|             |  | Industrial $T_A = -40^\circ\text{C}$ to $+85^\circ\text{C}$ | 3.0        | 3.6   | V |
| $V_{CCIO}$  | Supply voltage for output drivers for 3.3V operation | 3.0   | 3.6        | V     |   |
|             | Supply voltage for output drivers for 2.5V operation | 2.3   | 2.7        | V     |   |
| $V_{IL}$    | Low-level input voltage                              | 0   | 0.80       | V     |   |
| $V_{IH}$    | High-level input voltage                             | 2.0   | 5.5        | V     |   |
| $V_O$       | Output voltage                                       | 0   | $V_{CCIO}$ | V     |   |

## Quality and Reliability Characteristics

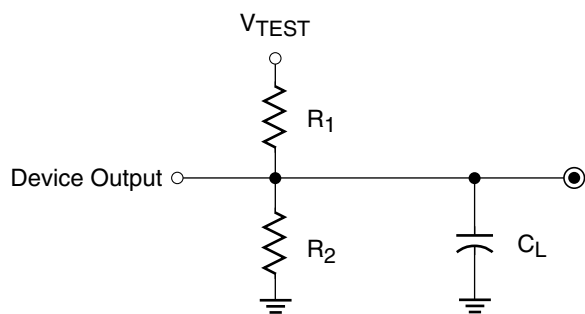
| Symbol    | Parameter                        | Min    | Max | Units  |
|-----------|----------------------------------|--------|-----|--------|
| $T_{DR}$  | Data Retention                   | 20     | -   | Years  |
| $N_{PE}$  | Program/Erase Cycles (Endurance) | 10,000 | -   | Cycles |
| $V_{ESD}$ | Electrostatic Discharge (ESD)    | 2,000  | -   | Volts  |

## DC Characteristic Over Recommended Operating Conditions

| Symbol   | Parameter   | Test Conditions   | Min            | Max      | Units   |
|----------|---|---|----------------|----------|---------|
| $V_{OH}$ | Output high voltage for 3.3V outputs              | $I_{OH} = -4.0$ mA  | 2.4            | -        | V       |
|          | Output high voltage for 2.5V outputs              | $I_{OH} = -500$ $\mu$ A   | 90% $V_{CCIO}$ | -        | V       |
| $V_{OL}$ | Output low voltage for 3.3V outputs               | $I_{OL} = 8.0$ mA   | -              | 0.4      | V       |
|          | Output low voltage for 2.5V outputs               | $I_{OL} = 500$ $\mu$ A  | -              | 0.4      | V       |
| $I_{IL}$ | Input leakage current                             | $V_{CC} = \text{Max}; V_{IN} = \text{GND or } V_{CC}$                             | -              | $\pm 10$ | $\mu$ A |
| $I_{IH}$ | I/O high-Z leakage current                        | $V_{CC} = \text{Max}; V_{IN} = \text{GND or } V_{CC}$                             | -              | $\pm 10$ | $\mu$ A |
| $I_{IH}$ | I/O high-Z leakage current                        | $V_{CC} = \text{Max}; V_{CCIO} = \text{Max}; V_{IN} = \text{GND or } 3.6\text{V}$ | -              | $\pm 10$ | $\mu$ A |
|          |   | $V_{CC} \text{ Min} < V_{IN} < 5.5\text{V}$                                       | -              | $\pm 50$ | $\mu$ A |
| $C_{IN}$ | I/O capacitance                                   | $V_{IN} = \text{GND}; f = 1.0$ MHz  | -              | 10       | pF      |
| $I_{CC}$ | Operating supply current (low power mode, active) | $V_{IN} = \text{GND}, \text{No load}; f = 1.0$ MHz                                | 20 (Typical)   |          | mA      |

## AC Characteristics

| Symbol       | Parameter   | XC9572XL-5 |       | XC9572XL-7 |       | XC9572XL-10 |       | Units |
|--------------|---|------------|-------|------------|-------|-------------|-------|-------|
|              |   | Min        | Max   | Min        | Max   | Min         | Max   |       |
| $T_{PD}$     | I/O to output valid                                 | -          | 5.0   | -          | 7.5   | -           | 10.0  | ns    |
| $T_{SU}$     | I/O setup time before GCK                           | 3.7        | -     | 4.8        | -     | 6.5         | -     | ns    |
| $T_H$        | I/O hold time after GCK                             | 0          | -     | 0          | -     | 0           | -     | ns    |
| $T_{CO}$     | GCK to output valid                                 | -          | 3.5   | -          | 4.5   | -           | 5.8   | ns    |
| $f_{SYSTEM}$ | Multiple FB internal operating frequency            | -          | 178.6 | -          | 125.0 | -           | 100.0 | MHz   |
| $T_{PSU}$    | I/O setup time before p-term clock input            | 1.7        | -     | 1.6        | -     | 2.1         | -     | ns    |
| $T_{PH}$     | I/O hold time after p-term clock input              | 2.0        | -     | 3.2        | -     | 4.4         | -     | ns    |
| $T_{PCO}$    | P-term clock output valid                           | -          | 5.5   | -          | 7.7   | -           | 10.2  | ns    |
| $T_{OE}$     | GTS to output valid                                 | -          | 4.0   | -          | 5.0   | -           | 7.0   | ns    |
| $T_{OD}$     | GTS to output disable                               | -          | 4.0   | -          | 5.0   | -           | 7.0   | ns    |
| $T_{POE}$    | Product term OE to output enabled                   | -          | 7.0   | -          | 9.5   | -           | 11.0  | ns    |
| $T_{POD}$    | Product term OE to output disabled                  | -          | 7.0   | -          | 9.5   | -           | 11.0  | ns    |
| $T_{AO}$     | GSR to output valid                                 | -          | 10.0  | -          | 12.0  | -           | 14.5  | ns    |
| $T_{PAO}$    | P-term S/R to output valid                          | -          | 10.5  | -          | 12.6  | -           | 15.3  | ns    |
| $T_{WLH}$    | GCK pulse width (High or Low)                       | 2.8        | -     | 4.0        | -     | 4.5         | -     | ns    |
| $T_{APRPW}$  | Asynchronous preset/reset pulse width (High or Low) | 5.0        | -     | 6.5        | -     | 7.0         | -     | ns    |
| $T_{PLH}$    | P-term clock pulse width (High or Low)              | 5.0        | -     | 6.5        | -     | 7.0         | -     | ns    |



| Output Type | VCCIO | VTEST | R <sub>1</sub> | R <sub>2</sub> | C <sub>L</sub> |
|-------------|-------|-------|----------------|----------------|----------------|
|             | 3.3V  | 3.3V  | 320 Ω          | 360 Ω          | 35 pF          |
|             | 2.5V  | 2.5V  | 250 Ω          | 660 Ω          | 35 pF          |

DS058\_03\_081500

Figure 3: AC Load Circuit

## Internal Timing Parameters

| Symbol  | Parameter                                | XC9572XL-5 |     | XC9572XL-7 |     | XC9572XL-10 |     | Units |
|---|--|------------|-----|------------|-----|-------------|-----|-------|
|   |  | Min        | Max | Min        | Max | Min         | Max |       |
| <b>Buffer Delays</b>                              |  |            |     |            |     |             |     |       |
| $T_{IN}$  | Input buffer delay                       | -          | 1.5 | -          | 2.3 | -           | 3.5 | ns    |
| $T_{GCK}$   | GCK buffer delay                         | -          | 1.1 | -          | 1.5 | -           | 1.8 | ns    |
| $T_{GSR}$   | GSR buffer delay                         | -          | 2.0 | -          | 3.1 | -           | 4.5 | ns    |
| $T_{GTS}$   | GTS buffer delay                         | -          | 4.0 | -          | 5.0 | -           | 7.0 | ns    |
| $T_{OUT}$   | Output buffer delay                      | -          | 2.0 | -          | 2.5 | -           | 3.0 | ns    |
| $T_{EN}$  | Output buffer enable/disable delay       | -          | 0   | -          | 0   | -           | 0   | ns    |
| <b>Product Term Control Delays</b>                |  |            |     |            |     |             |     |       |
| $T_{PTCK}$  | Product term clock delay                 | -          | 1.6 | -          | 2.4 | -           | 2.7 | ns    |
| $T_{PTSR}$  | Product term set/reset delay             | -          | 1.0 | -          | 1.4 | -           | 1.8 | ns    |
| $T_{PTTS}$  | Product term 3-state delay               | -          | 5.5 | -          | 7.2 | -           | 7.5 | ns    |
| <b>Internal Register and Combinatorial Delays</b> |  |            |     |            |     |             |     |       |
| $T_{PDI}$   | Combinatorial logic propagation delay    | -          | 0.5 | -          | 1.3 | -           | 1.7 | ns    |
| $T_{SUI}$   | Register setup time                      | 2.3        | -   | 2.6        | -   | 3.0         | -   | ns    |
| $T_{HI}$  | Register hold time                       | 1.4        | -   | 2.2        | -   | 3.5         | -   | ns    |
| $T_{ECSU}$  | Register clock enable setup time         | 2.4        | -   | 2.6        | -   | 3.0         | -   | ns    |
| $T_{ECHO}$  | Register clock enable hold time          | 1.4        | -   | 2.2        | -   | 3.5         | -   | ns    |
| $T_{COI}$   | Register clock to output valid time      | -          | 0.4 | -          | 0.5 | -           | 1.0 | ns    |
| $T_{AOI}$   | Register async. S/R to output delay      | -          | 6.0 | -          | 6.4 | -           | 7.0 | ns    |
| $T_{RAI}$   | Register async. S/R recover before clock | 5.0        | -   | 7.5        | -   | 10.0        | -   | ns    |
| $T_{LOGI}$  | Internal logic delay                     | -          | 1.0 | -          | 1.4 | -           | 1.8 | ns    |
| $T_{LOGILP}$                                      | Internal low power logic delay           | -          | 5.0 | -          | 6.4 | -           | 7.3 | ns    |
| <b>Feedback Delays</b>                            |  |            |     |            |     |             |     |       |
| $T_F$   | Fast CONNECT II feedback delay           | -          | 1.9 | -          | 3.5 | -           | 4.2 | ns    |
| <b>Time Adders</b>                                |  |            |     |            |     |             |     |       |
| $T_{PTA}$   | Incremental product term allocator delay | -          | 0.7 | -          | 0.8 | -           | 1.0 | ns    |
| $T_{SLEW}$  | Slew-rate limited delay                  | -          | 3.0 | -          | 4.0 | -           | 4.5 | ns    |

## XC9572XL I/O Pins<sup>(4)</sup>

| Function Block | Macro-cell | PC44              | VQ44              | CS48              | VQ64              | TQ100             | BScan Order |
|----------------|------------|-------------------|-------------------|-------------------|-------------------|-------------------|-------------|
| 1              | 1          | -                 | -                 | -                 | -                 | 16                | 213         |
| 1              | 2          | 1                 | 39                | D7                | 8                 | 13                | 210         |
| 1              | 3          | -                 | -                 | D4                | 12                | 18                | 207         |
| 1              | 4          | -                 | -                 | -                 | 13                | 20                | 204         |
| 1              | 5          | 2                 | 40                | D6                | 9                 | 14                | 201         |
| 1              | 6          | 3                 | 41                | C7                | 10                | 15                | 198         |
| 1              | 7          | -                 | -                 | -                 | -                 | 25                | 195         |
| 1              | 8          | 4                 | 42                | C6                | 11                | 17                | 192         |
| 1              | 9          | 5 <sup>(1)</sup>  | 43 <sup>(1)</sup> | B7 <sup>(1)</sup> | 15 <sup>(1)</sup> | 22 <sup>(1)</sup> | 189         |
| 1              | 10         | -                 | -                 | -                 | 18                | 28                | 186         |
| 1              | 11         | 6 <sup>(1)</sup>  | 44 <sup>(1)</sup> | B6 <sup>(1)</sup> | 16 <sup>(1)</sup> | 23 <sup>(1)</sup> | 183         |
| 1              | 12         | -                 | -                 | -                 | 23                | 33                | 180         |
| 1              | 13         | -                 | -                 | -                 | -                 | 36                | 177         |
| 1              | 14         | 7 <sup>(1)</sup>  | 1 <sup>(1)</sup>  | A7 <sup>(1)</sup> | 17 <sup>(1)</sup> | 27 <sup>(1)</sup> | 174         |
| 1              | 15         | 8                 | 2                 | A6                | 19                | 29                | 171         |
| 1              | 16         | -                 | -                 | -                 | -                 | 39                | 168         |
| 1              | 17         | 9                 | 3                 | C5                | 20                | 30                | 165         |
| 1              | 18         | -                 | -                 | -                 | -                 | 40                | 162         |
| 2              | 1          | -                 | -                 | -                 | -                 | 87                | 159         |
| 2              | 2          | 35                | 29                | F4                | 60                | 94                | 156         |
| 2              | 3          | -                 | -                 | -                 | 58                | 91                | 153         |
| 2              | 4          | -                 | -                 | -                 | 59                | 93                | 150         |
| 2              | 5          | 36                | 30                | G5                | 61                | 95                | 147         |
| 2              | 6          | 37                | 31                | F5                | 62                | 96                | 144         |
| 2              | 7          | -                 | -                 | -                 | -                 | 3 <sup>(2)</sup>  | 141         |
| 2              | 8          | 38                | 32                | G6                | 63                | 97                | 138         |
| 2              | 9          | 39 <sup>(1)</sup> | 33 <sup>(1)</sup> | G7 <sup>(1)</sup> | 64 <sup>(1)</sup> | 99 <sup>(1)</sup> | 135         |
| 2              | 10         | -                 | -                 | -                 | 1                 | 1                 | 132         |
| 2              | 11         | 40 <sup>(1)</sup> | 34 <sup>(1)</sup> | F6 <sup>(1)</sup> | 2 <sup>(1)</sup>  | 4 <sup>(1)</sup>  | 129         |
| 2              | 12         | -                 | -                 | -                 | 4                 | 6                 | 126         |
| 2              | 13         | -                 | -                 | -                 | -                 | 8                 | 123         |
| 2              | 14         | 42 <sup>(3)</sup> | 36 <sup>(3)</sup> | E6 <sup>(3)</sup> | 5 <sup>(3)</sup>  | 9 <sup>(3)</sup>  | 120         |
| 2              | 15         | 43                | 37                | E7                | 6                 | 11                | 117         |
| 2              | 16         | -                 | -                 | -                 | -                 | 10                | 114         |
| 2              | 17         | 44                | 38                | E5                | 7                 | 12                | 111         |
| 2              | 18         | -                 | -                 | -                 | -                 | 92                | 108         |

| Function Block | Macro-cell | PC44 | VQ44 | CS48 | VQ64 | TQ100 | BScan Order |
|----------------|------------|------|------|------|------|-------|-------------|
| 3              | 1          | -    | -    | -    | -    | 41    | 105         |
| 3              | 2          | 11   | 5    | B5   | 22   | 32    | 102         |
| 3              | 3          | -    | -    | C4   | 31   | 49    | 99          |
| 3              | 4          | -    | -    | -    | 32   | 50    | 96          |
| 3              | 5          | 12   | 6    | A4   | 24   | 35    | 93          |
| 3              | 6          | -    | -    | -    | 34   | 53    | 90          |
| 3              | 7          | -    | -    | -    | -    | 54    | 87          |
| 3              | 8          | 13   | 7    | B4   | 25   | 37    | 84          |
| 3              | 9          | 14   | 8    | A3   | 27   | 42    | 81          |
| 3              | 10         | -    | -    | D3   | 39   | 60    | 78          |
| 3              | 11         | 18   | 12   | B2   | 33   | 52    | 75          |
| 3              | 12         | -    | -    | -    | 40   | 61    | 72          |
| 3              | 13         | -    | -    | -    | -    | 63    | 69          |
| 3              | 14         | 19   | 13   | B1   | 35   | 55    | 66          |
| 3              | 15         | 20   | 14   | C2   | 36   | 56    | 63          |
| 3              | 16         | 24   | 18   | D2   | 42   | 64    | 60          |
| 3              | 17         | 22   | 16   | C3   | 38   | 58    | 57          |
| 3              | 18         | -    | -    | -    | -    | 59    | 54          |
| 4              | 1          | -    | -    | -    | -    | 65    | 51          |
| 4              | 2          | 25   | 19   | E1   | 43   | 67    | 48          |
| 4              | 3          | -    | -    | -    | 46   | 71    | 45          |
| 4              | 4          | -    | -    | -    | 47   | 72    | 42          |
| 4              | 5          | 26   | 20   | E2   | 44   | 68    | 39          |
| 4              | 6          | -    | -    | E4   | 49   | 76    | 36          |
| 4              | 7          | -    | -    | -    | -    | 77    | 33          |
| 4              | 8          | 27   | 21   | F1   | 45   | 70    | 30          |
| 4              | 9          | -    | -    | -    | -    | 66    | 27          |
| 4              | 10         | -    | -    | -    | 51   | 81    | 24          |
| 4              | 11         | 28   | 22   | G1   | 48   | 74    | 21          |
| 4              | 12         | -    | -    | -    | 52   | 82    | 18          |
| 4              | 13         | -    | -    | -    | -    | 85    | 15          |
| 4              | 14         | 29   | 23   | F2   | 50   | 78    | 12          |
| 4              | 15         | 33   | 27   | E3   | 56   | 89    | 9           |
| 4              | 16         | -    | -    | -    | -    | 86    | 6           |
| 4              | 17         | 34   | 28   | G4   | 57   | 90    | 3           |
| 4              | 18         | -    | -    | -    | -    | 79    | 0           |

### Notes:

1. Global control pin.
2. GTS1 for TQ100.
3. GTS1 for PC44, VQ44, CS48, and VQ64.
4. The pin-outs are the same for Pb-free versions of packages.

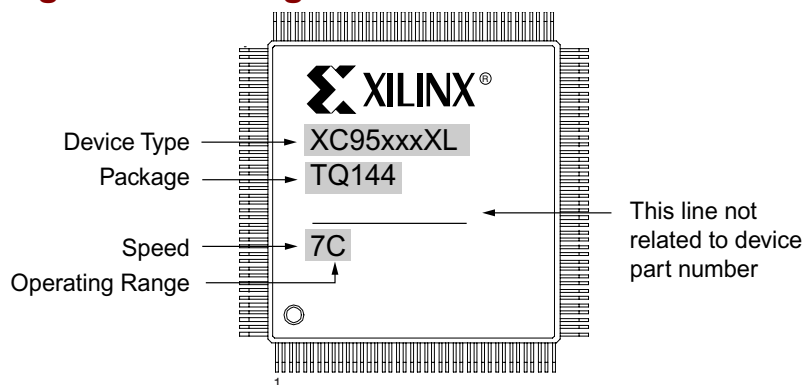
## XC9572XL Global, JTAG and Power Pins<sup>(1)</sup>

| Pin Type                    | PC44       | VQ44      | CS48       | VQ64           | TQ100                               |
|-----------------------------|------------|-----------|------------|----------------|-------------------------------------|
| I/O/GCK1                    | 5          | 43        | B7         | 15             | 22                                  |
| I/O/GCK2                    | 6          | 44        | B6         | 16             | 23                                  |
| I/O/GCK3                    | 7          | 1         | A7         | 17             | 27                                  |
| I/O/GTS1                    | 42         | 36        | E6         | 5              | 3                                   |
| I/O/GTS2                    | 40         | 34        | F6         | 2              | 4                                   |
| I/O/GSR                     | 39         | 33        | G7         | 64             | 99                                  |
| TCK                         | 17         | 11        | A1         | 30             | 48                                  |
| TDI                         | 15         | 9         | B3         | 28             | 45                                  |
| TDO                         | 30         | 24        | G2         | 53             | 83                                  |
| TMS                         | 16         | 10        | A2         | 29             | 47                                  |
| V <sub>CCINT</sub> 3.3V     | 21, 41     | 15, 35    | C1, F7     | 3, 37          | 5, 57, 98                           |
| V <sub>CCIO</sub> 2.5V/3.3V | 32         | 26        | G3         | 26, 55         | 26, 38, 51, 88                      |
| GND                         | 10, 23, 31 | 4, 17, 25 | A5, D1, F3 | 14, 21, 41, 54 | 21, 31, 44, 62,<br>69, 75, 84, 100  |
| No Connects                 | -          | -         | -          | -              | 2, 7, 19, 24, 34,<br>43, 46, 73, 80 |

**Notes:**

1. The pin-outs are the same for Pb-free versions of packages.

## Device Part Marking and Ordering Combination Information



Sample package with part marking.

### Notes:

- Due to the small size of chip scale packages, part marking on these packages does not follow the above sample and the complete part number cannot be included in the marking. Part marking on chip scale packages by line:
  - Line 1 = X (Xilinx logo), then truncated part number (no XC), i.e., 95xxxXL.
  - Line 2 = Not related to device part number.
  - Line 3 = Not related to device part number.
  - Line 4 = Package code, speed, operating temperature, three digits not related to device part number. Package codes: C1 = CS48, C2 = CSG48.

| Device Ordering and Part Marking Number | Speed (pin-to-pin delay) | Pkg. Symbol | No. of Pins | Package Type                     | Operating Range <sup>(1)</sup> |
|---|--------------------------|-------------|-------------|----------------------------------|--------------------------------|
| XC9572XL-5PC44C                         | 5 ns                     | PC44        | 44-pin      | Plastic Lead Chip Carrier (PLCC) | C                              |
| XC9572XL-5VQ44C                         | 5 ns                     | VQ44        | 44-pin      | Quad Flat Pack (VQFP)            | C                              |
| XC9572XL-5CS48C                         | 5 ns                     | CS48        | 48-ball     | Chip Scale Package (CSP)         | C                              |
| XC9572XL-5VQ64C                         | 5 ns                     | VQ64        | 64-pin      | Quad Flat Pack (VQFP)            | C                              |
| XC9572XL-5TQ100C                        | 5 ns                     | TQ100       | 100-pin     | Thin Quad Flat Pack (TQFP)       | C                              |
| XC9572XL-7PC44C                         | 7.5 ns                   | PC44        | 44-pin      | Plastic Lead Chip Carrier (PLCC) | C                              |
| XC9572XL-7VQ44C                         | 7.5 ns                   | VQ44        | 44-pin      | Quad Flat Pack (VQFP)            | C                              |
| XC9572XL-7CS48C                         | 7.5 ns                   | CS48        | 48-ball     | Chip Scale Package (CSP)         | C                              |
| XC9572XL-7VQ64C                         | 7.5 ns                   | VQ64        | 64-pin      | Quad Flat Pack (VQFP)            | C                              |
| XC9572XL-7TQ100C                        | 7.5 ns                   | TQ100       | 100-pin     | Thin Quad Flat Pack (TQFP)       | C                              |
| XC9572XL-7PC44I                         | 7.5 ns                   | PC44        | 44-pin      | Plastic Lead Chip Carrier (PLCC) | I                              |
| XC9572XL-7VQ44I                         | 7.5 ns                   | VQ44        | 44-pin      | Quad Flat Pack (VQFP)            | I                              |
| XC9572XL-7CS48I                         | 7.5 ns                   | CS48        | 48-ball     | Chip Scale Package (CSP)         | I                              |
| XC9572XL-7VQ64I                         | 7.5 ns                   | VQ64        | 64-pin      | Quad Flat Pack (VQFP)            | I                              |
| XC9572XL-7TQ100I                        | 7.5 ns                   | TQ100       | 100-pin     | Thin Quad Flat Pack (TQFP)       | I                              |
| XC9572XL-10PC44C                        | 10 ns                    | PC44        | 44-pin      | Plastic Lead Chip Carrier (PLCC) | C                              |
| XC9572XL-10VQ44C                        | 10 ns                    | VQ44        | 44-pin      | Quad Flat Pack (VQFP)            | C                              |
| XC9572XL-10CS48C                        | 10 ns                    | CS48        | 48-ball     | Chip Scale Package (CSP)         | C                              |
| XC9572XL-10VQ64C                        | 10 ns                    | VQ64        | 64-pin      | Quad Flat Pack (VQFP)            | C                              |
| XC9572XL-10TQ100C                       | 10 ns                    | TQ100       | 100-pin     | Thin Quad Flat Pack (TQFP)       | C                              |
| XC9572XL-10PC44I                        | 10 ns                    | PC44        | 44-pin      | Plastic Lead Chip Carrier (PLCC) | I                              |
| XC9572XL-10VQ44I                        | 10 ns                    | VQ44        | 44-pin      | Quad Flat Pack (VQFP)            | I                              |
| XC9572XL-10CS48I                        | 10 ns                    | CS48        | 48-ball     | Chip Scale Package (CSP)         | I                              |
| XC9572XL-10VQ64I                        | 10 ns                    | VQ64        | 64-pin      | Quad Flat Pack (VQFP)            | I                              |
| XC9572XL-10TQ100I                       | 10 ns                    | TQ100       | 100-pin     | Thin Quad Flat Pack (TQFP)       | I                              |

### Notes:

C = Commercial:  $T_A = 0^\circ$  to  $+70^\circ\text{C}$ ; I = Industrial:  $T_A = -40^\circ$  to  $+85^\circ\text{C}$

| Device Ordering and Part Marking Number | Speed (pin-to-pin delay) | Pkg. Symbol | No. of Pins | Package Type                              | Operating Range <sup>(1)</sup> |
|---|--------------------------|-------------|-------------|---|--------------------------------|
| XC9572XL-5PCG44C                        | 5 ns                     | PCG44       | 44-pin      | Plastic Lead Chip Carrier (PLCC); Pb-free | C                              |
| XC9572XL-5VQG44C                        | 5 ns                     | VQG44       | 44-pin      | Quad Flat Pack (VQFP); Pb-free            | C                              |
| XC9572XL-5CSG48C                        | 5 ns                     | CSG48       | 48-ball     | Chip Scale Package (CSP); Pb-free         | C                              |
| XC9572XL-5VQG64C                        | 5 ns                     | VQG64       | 64-pin      | Quad Flat Pack (VQFP); Pb-free            | C                              |
| XC9572XL-5TQG100C                       | 5 ns                     | TQG100      | 100-pin     | Thin Quad Flat Pack (TQFP); Pb-free       | C                              |
| XC9572XL-7PCG44C                        | 7.5 ns                   | PCG44       | 44-pin      | Plastic Lead Chip Carrier (PLCC); Pb-free | C                              |
| XC9572XL-7VQG44C                        | 7.5 ns                   | VQG44       | 44-pin      | Quad Flat Pack (VQFP); Pb-free            | C                              |
| XC9572XL-7CSG48C                        | 7.5 ns                   | CSG48       | 48-ball     | Chip Scale Package (CSP); Pb-free         | C                              |
| XC9572XL-7VQG64C                        | 7.5 ns                   | VQG64       | 64-pin      | Quad Flat Pack (VQFP); Pb-free            | C                              |
| XC9572XL-7TQG100C                       | 7.5 ns                   | TQG100      | 100-pin     | Thin Quad Flat Pack (TQFP); Pb-free       | C                              |
| XC9572XL-7PCG44I                        | 7.5 ns                   | PCG44       | 44-pin      | Plastic Lead Chip Carrier (PLCC); Pb-free | I                              |
| XC9572XL-7VQG44I                        | 7.5 ns                   | VQG44       | 44-pin      | Quad Flat Pack (VQFP); Pb-free            | I                              |
| XC9572XL-7CSG48I                        | 7.5 ns                   | CSG48       | 48-ball     | Chip Scale Package (CSP); Pb-free         | I                              |
| XC9572XL-7VQG64I                        | 7.5 ns                   | VQG64       | 64-pin      | Quad Flat Pack (VQFP); Pb-free            | I                              |
| XC9572XL-7TQG100I                       | 7.5 ns                   | TQG100      | 100-pin     | Thin Quad Flat Pack (TQFP); Pb-free       | I                              |
| XC9572XL-10PCG44C                       | 10 ns                    | PCG44       | 44-pin      | Plastic Lead Chip Carrier (PLCC); Pb-free | C                              |
| XC9572XL-10VQG44C                       | 10 ns                    | VQG44       | 44-pin      | Quad Flat Pack (VQFP); Pb-free            | C                              |
| XC9572XL-10CSG48C                       | 10 ns                    | CSG48       | 48-ball     | Chip Scale Package (CSP); Pb-free         | C                              |
| XC9572XL-10VQG64C                       | 10 ns                    | VQG64       | 64-pin      | Quad Flat Pack (VQFP); Pb-free            | C                              |
| XC9572XL-10TQG100C                      | 10 ns                    | TQG100      | 100-pin     | Thin Quad Flat Pack (TQFP); Pb-free       | C                              |
| XC9572XL-10PCG44I                       | 10 ns                    | PCG44       | 44-pin      | Plastic Lead Chip Carrier (PLCC); Pb-free | I                              |
| XC9572XL-10VQG44I                       | 10 ns                    | VQG44       | 44-pin      | Quad Flat Pack (VQFP); Pb-free            | I                              |
| XC9572XL-10CSG48I                       | 10 ns                    | CSG48       | 48-ball     | Chip Scale Package (CSP); Pb-free         | I                              |
| XC9572XL-10VQG64I                       | 10 ns                    | VQG64       | 64-pin      | Quad Flat Pack (VQFP); Pb-free            | I                              |
| XC9572XL-10TQG100I                      | 10 ns                    | TQG100      | 100-pin     | Thin Quad Flat Pack (TQFP); Pb-free       | I                              |

**Notes:**

1. C = Commercial:  $T_A = 0^\circ$  to  $+70^\circ\text{C}$ ; I = Industrial:  $T_A = -40^\circ$  to  $+85^\circ\text{C}$

Standard Example: XC9572XL -4 TQ 144 C

Device \_\_\_\_\_ ↑  
 Speed Grade \_\_\_\_\_ ↑  
 Package Type \_\_\_\_\_ ↑  
 Number of Pins \_\_\_\_\_ ↑  
 Temperature Range \_\_\_\_\_ ↑

Pb-Free Example: XC9572XL -4 TQ G 144 C

Device \_\_\_\_\_ ↑  
 Speed Grade \_\_\_\_\_ ↑  
 Package Type \_\_\_\_\_ ↑  
 Pb-Free \_\_\_\_\_ ↑  
 Number of Pins \_\_\_\_\_ ↑  
 Temperature Range \_\_\_\_\_ ↑

## Warranty Disclaimer

THESE PRODUCTS ARE SUBJECT TO THE TERMS OF THE XILINX LIMITED WARRANTY WHICH CAN BE VIEWED AT <http://www.xilinx.com/warranty.htm>. THIS LIMITED WARRANTY DOES NOT EXTEND TO ANY USE OF THE PRODUCTS IN AN APPLICATION OR ENVIRONMENT THAT IS NOT WITHIN THE SPECIFICATIONS STATED ON THE THEN-CURRENT XILINX DATA SHEET FOR THE PRODUCTS. PRODUCTS ARE NOT DESIGNED TO BE FAIL-SAFE AND ARE NOT WARRANTED FOR USE IN APPLICATIONS THAT POSE A RISK OF PHYSICAL HARM OR LOSS OF LIFE. USE OF PRODUCTS IN SUCH APPLICATIONS IS FULLY AT THE RISK OF CUSTOMER SUBJECT TO APPLICABLE LAWS AND REGULATIONS.

## Further Reading

The following Xilinx links go to relevant XC9500XL CPLD documentation, including XAPP111, Using the XC9500XL Timing Model, and XAPP784, Bulletproof CPLD Design Practices. Simply click on the link and scroll down.

[Data Sheets, Application Notes, and White Papers.](#)

## Packaging

## Revision History

The following table shows the revision history for this document.

| Date     | Version | Revision   |
|----------|---------|--|
| 09/28/98 | 1.0     | Initial Xilinx release.  |
| 08/28/01 | 1.1     | Added VQ44 package.  |
| 06/20/02 | 1.2     | Updated $I_{CC}$ equation, page 1. Updated Component Availability table. Added additional $I_{IH}$ test conditions and measurements to DC Characteristics table. |
| 05/27/03 | 1.3     | Updated $T_{SOL}$ from 260 to 220°C. Added Part Marking and updated Ordering Information.  |
| 08/21/03 | 1.4     | Updated Package Device Marking Pin 1 orientation.  |
| 07/15/04 | 1.5     | Added Pb-free documentation  |
| 09/15/04 | 1.6     | Added $T_{APRPW}$ specification to AC Characteristics.   |
| 04/29/05 | 1.7     | No change to documentation.  |
| 07/15/05 | 1.8     | Move to Product Specification  |
| 03/22/06 | 1.9     | Add Warranty Disclaimer.   |
| 04/03/07 | 2.0     | Add programming temperature range warning on page 1.   |

## OUR CERTIFICATE

DiGi provide top-quality products and perfect service for customer worldwide through standardization, technological innovation and continuous improvement. DiGi through third-party certification, we stricly control the quality of products and services. Welcome your RFQ to

Email: [Info@DiGi-Electronics.com](mailto:Info@DiGi-Electronics.com)



Tel: +00 852-30501935

RFQ Email: [Info@DiGi-Electronics.com](mailto:Info@DiGi-Electronics.com)

DiGi is a global authorized distributor of electronic components.