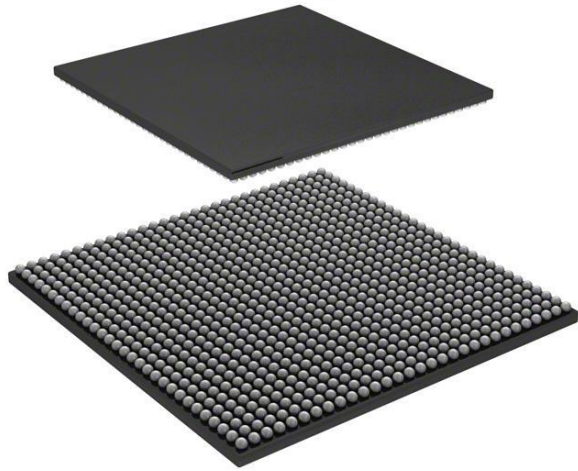


www.digi-electronics.com



XCKU035-L1FBVA900I

<https://www.DiGi-Electronics.com>

L1FBVA900I Datasheet

DiGi Electronics Part Number	XCKU035-L1FBVA900I-DG
Manufacturer	AMD
Manufacturer Product Number	XCKU035-L1FBVA900I
Description	IC FPGA 468 I/O 900FCBGA

Detailed Description Kintex® UltraScale™ Field Programmable Gate Array (FPGA) IC 468 19456000 444343 900-BBGA, FCBGA

Tel: +00 852-30501935

RFQ Email: Info@DiGi-Electronics.com

DiGi is a global authorized distributor of electronic components.

Purchase and inquiry

Manufacturer Product Number:

XCKU035-L1FBVA900I

Series:

Kintex® UltraScale™

DiGi-Electronics Programmable:

Not Verified

Number of Logic Elements/Cells:

444343

Number of I/O:

468

Mounting Type:

Surface Mount

Package / Case:

900-BBGA, FCBGA

Base Product Number:

XCKU035

Manufacturer:

AMD

Product Status:

Active

Number of LABs/CLBs:

25391

Total RAM Bits:

19456000

Voltage - Supply:

0.880V ~ 0.979V

Operating Temperature:

-40°C ~ 100°C (TJ)

Supplier Device Package:

900-FCBGA (31x31)

Environmental & Export classification

RoHS Status:

ROHS3 Compliant

REACH Status:

REACH Unaffected

HTSUS:

Moisture Sensitivity Level (MSL):

4 (72 Hours)

ECCN:

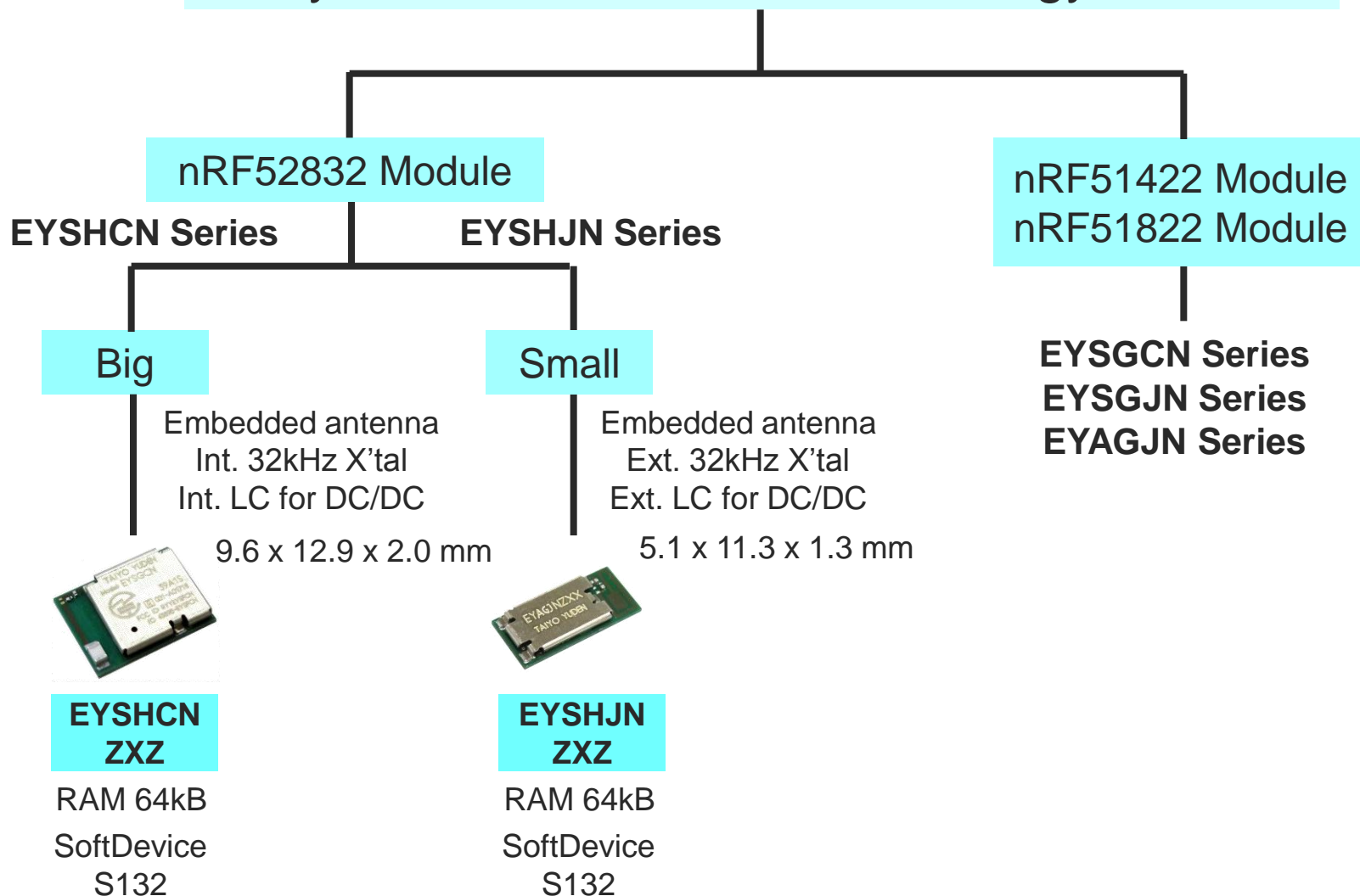
3A991D

Wireless Module *Bluetooth[®] low energy* Module Overview

Dec. 9, 2016 Version 1.4

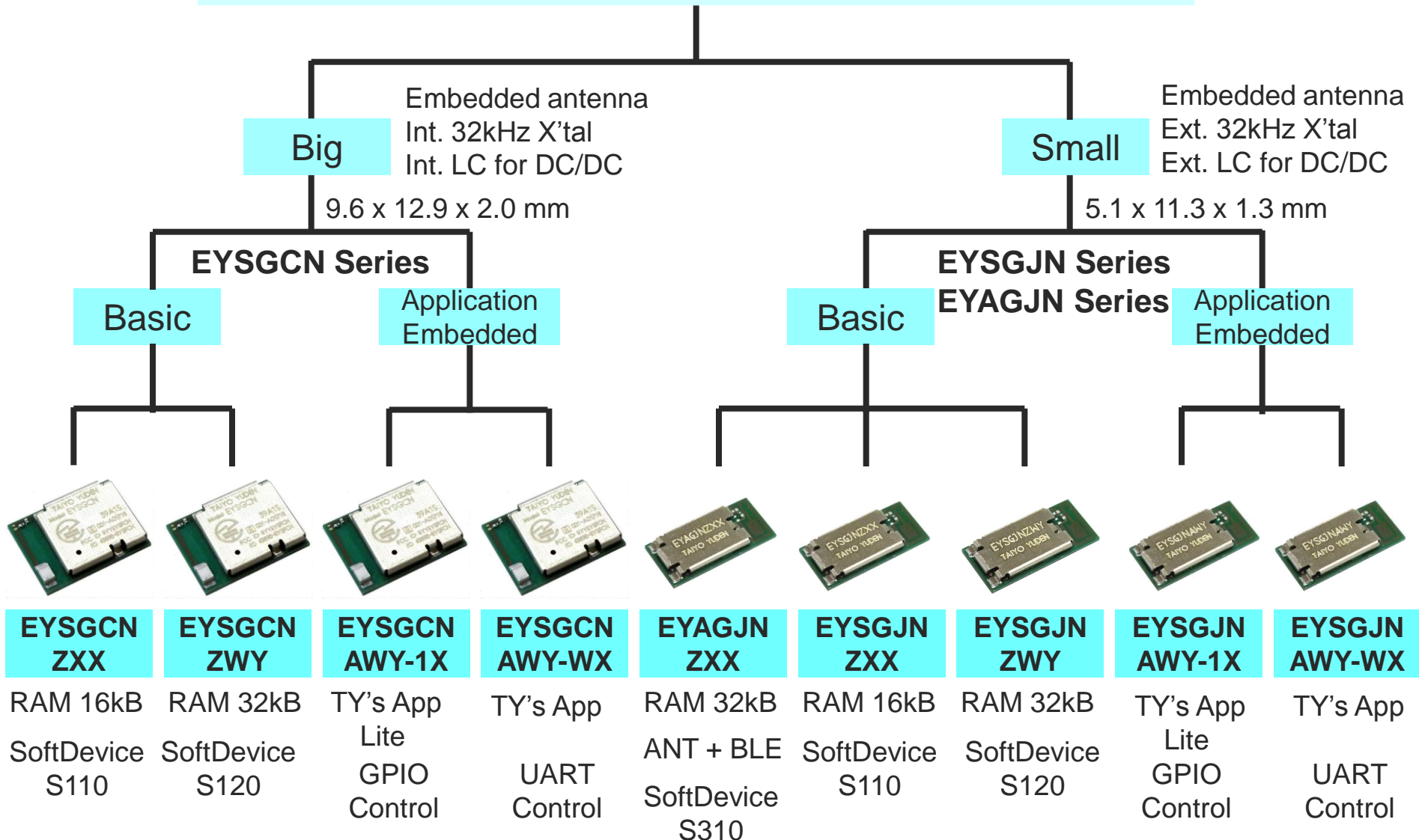
Taiyo Yuden Bluetooth® low energy Module Line-Up

Taiyo Yuden Bluetooth® low energy Module



Taiyo Yuden Bluetooth[®] low energy Module Line-Up

nRF51x22 Bluetooth[®] low energy Module



Latest Documents for Bluetooth® low energy Module

EYSHCNZXZ	http://www.yuden.co.jp/or/product/category/module/EYSHCNZXZ.html
EYSHJNZXZ	http://www.yuden.co.jp/or/product/category/module/EYSHJNZXZ.html
EYSGCNZXX	http://www.yuden.co.jp/or/product/category/module/EYSGCNZXX.html
EYSGCNZWY	http://www.yuden.co.jp/or/product/category/module/EYSGCNZWY.html
EYSGJNZXX	http://www.yuden.co.jp/or/product/category/module/EYSGJNZXX.html
EYSGJNZWY	http://www.yuden.co.jp/or/product/category/module/EYSGJNZWY.html
EYAGJNZXX	http://www.yuden.co.jp/or/product/category/module/EYAGJNZXX.html
EYSGCNAWY-1X	http://www.yuden.co.jp/or/product/category/module/EYSGCNAWY-1X.html
EYSGJNAWY-1X	http://www.yuden.co.jp/or/product/category/module/EYSGJNAWY-1X.html
EYSGCNAWY-WX	http://www.yuden.co.jp/or/product/category/module/EYSGJNAWY-WX.html
EYSGJNAWY-WX	http://www.yuden.co.jp/or/product/category/module/EYSGJNAWY-WX.html
EYSFCNZXX	http://www.yuden.co.jp/or/product/category/module/EYSFCNZXX.html

-The documents for the evaluation board and evaluation kit are also available on the above page.

- The Japanese documents are available on the following page.

<http://www.yuden.co.jp/jp/product/category/module/lineup.html#Bluetooth>

Bluetooth® low energy Module: **EYSHCNZXZ**

Features

- Frequency: 2402 to 2480 MHz with +4dBm Output power
- Single power supply: 1.7 – 3.6V
- Single Mode Bluetooth low energy Slave/Master (ANT™ Available)
- Chip: **nRF52832** (Nordic)
- Integrated System/**Sleep Clock, LC for DC/DC**
- Integrated high performance ceramic chip antenna
- ARM Cortex M4F** 32bit processor
- 512kB Flash** and **64kB RAM**
- Interface: SPI, UART, I2C, I2S, PDM and 12bit ADC
- Support **NFC-A Type-2** for Touch-to-Pair
- Outline: **9.6 x 12.9 x 2.0** mm with **1mm** pad pitch
- Operating Temperature range: -40 to 85 deg-C
- Bluetooth and Japan, FCC, IC qualified
- CE Conducted Test Report Available
- RoHS compliant / Complete Lead Free

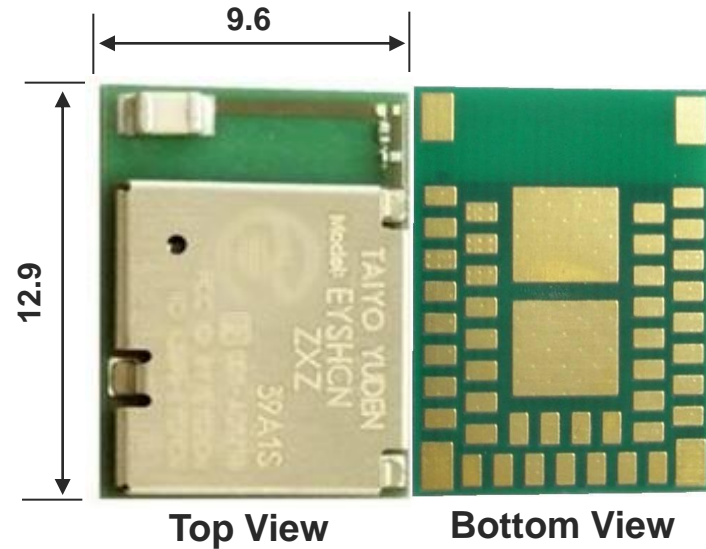
Applications

- Cycle computer
- Heart rate monitor
- Blood pressure monitor
- Blood glucose meter
- Weighing machine
- Thermometer
- Mobile accessories
- Sports and fitness sensors
- Remote controllers / Toys

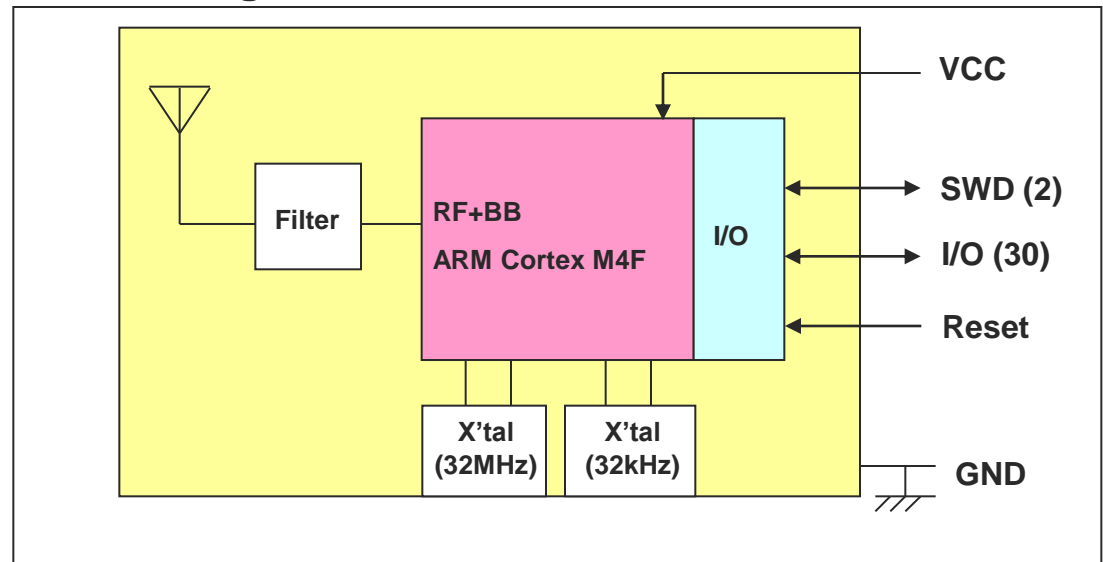
All specifications are subject to change without notice.

The *Bluetooth*® word mark and logos are owned by the *Bluetooth* SIG, Inc. and any use of such marks by TAIYO YUDEN CO., LTD. is under license.

Outline



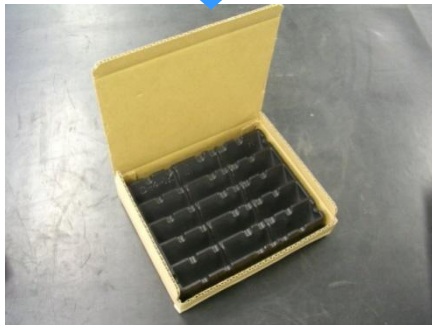
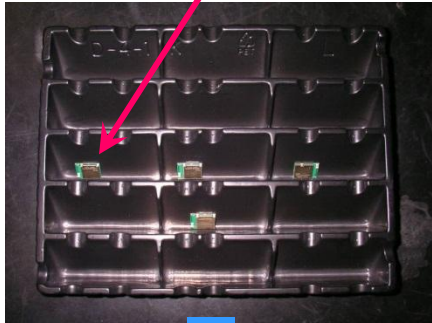
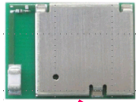
Block Diagram



Bluetooth® low energy Module Sample, Evaluation Board / Kit

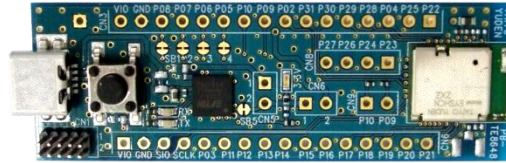
EYSHCNZXZ (Module)

Module samples



EBSHCNZXZ (EV-B)

Evaluation board



EKSHCNZXZ (EV-K)

Evaluation kit



**SEGGER
J-Link LITE
Attached**



Bluetooth® low energy Module: **EYSHJNZXZ**

Features

- Frequency: 2402 to 2480 MHz with +4dBm Output power
- Single power supply: 1.7– 3.6V
- Single Mode Bluetooth low energy Slave (ANT™ Available)
- Chip: **nRF52832** (Nordic)
- Integrated System Clock
- ARM Cortex M4F** 32bit processor
- 512kB Flash and 64kB RAM**
- Interface: SPI, UART, I2C, I2S, PDM and 12bit ADC
- Support **NFC-A Type-2** for Touch-to-Pair
- Integrated high performance pattern antenna
- Outline: **5.1 x 11.3 x 1.3**mm MAX
- Operating Temperature range: -40 to 85 deg-C
- Bluetooth and Japan, FCC, IC qualified
- CE Conducted Test Report Available
- RoHS compliant / Complete Lead Free

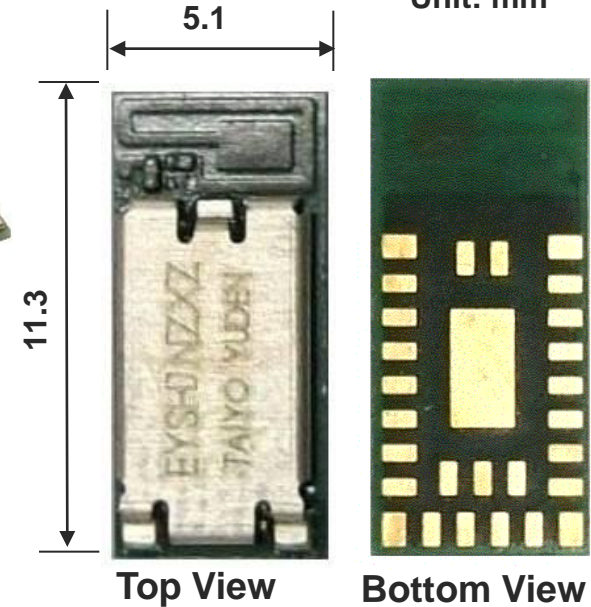
Applications

- Cycle computer
- Heart rate monitor
- Blood pressure monitor
- Blood glucose meter
- Weighing machine
- Thermometer
- Mobile accessories
- Sports and fitness sensors
- Remote controllers / Toys

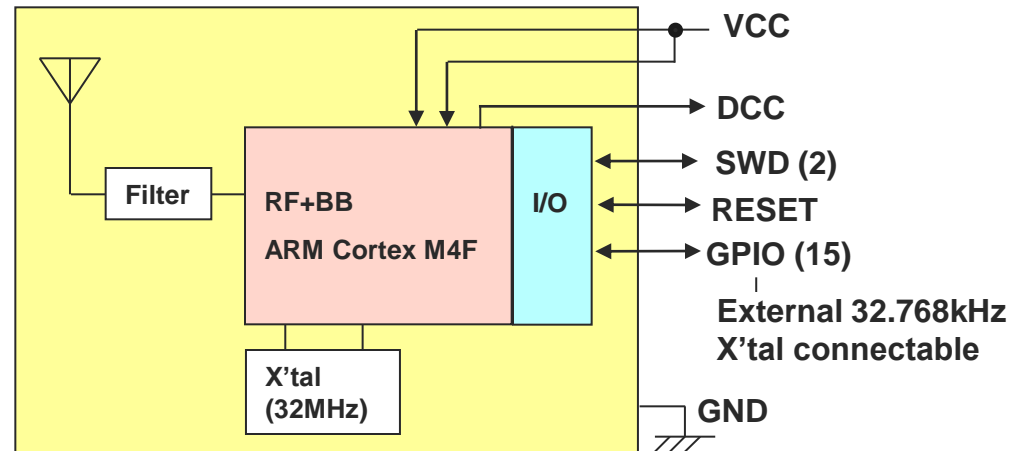
All specifications are subject to change without notice.

The *Bluetooth*® word mark and logos are owned by the *Bluetooth* SIG, Inc. and any use of such marks by TAIYO YUDEN CO., LTD. is under license.

Outline



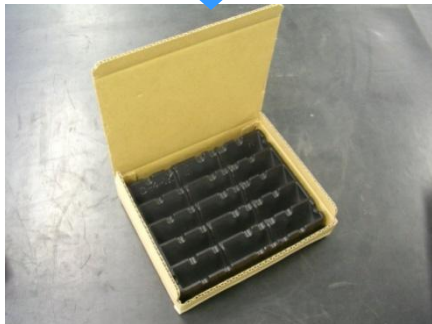
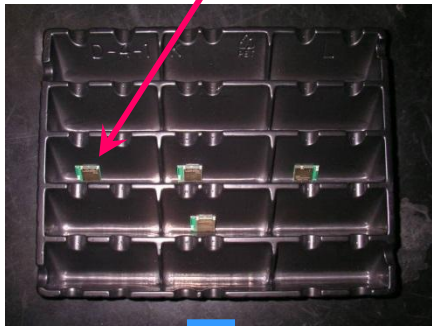
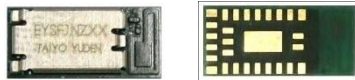
Block Diagram



Bluetooth® low energy Module Sample, Evaluation Board / Kit

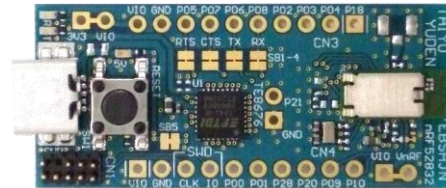
EYSHJNZXZ (Module)

Module samples



EBSHJNZXZ (EV-B)

Evaluation board



EKSHJNZXZ (EV-K)

Evaluation kit



Bluetooth® low energy Module: **EYSGCNZXX**

Features

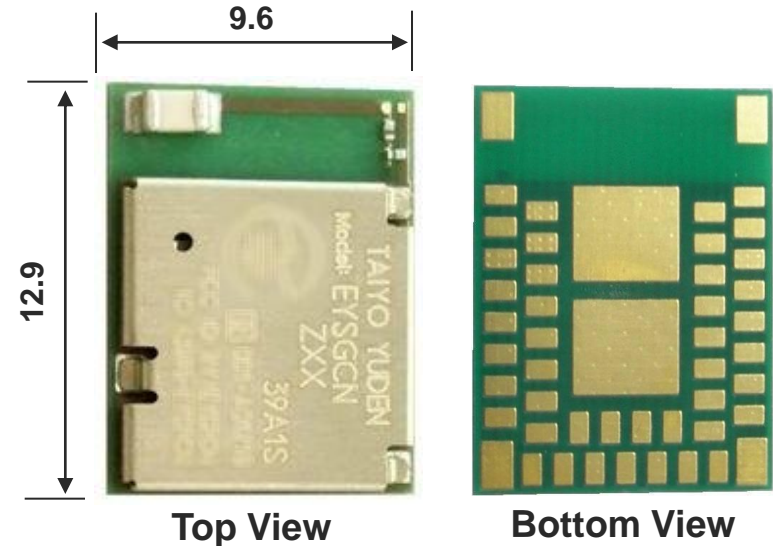
- Frequency: 2402 to 2480 MHz
- Output power: +4dBm typ.
- Single power supply: 1.8 – 3.6V
- Single Mode Bluetooth low energy Slave
- Chip: nRF51822 **Rev.3** (Nordic)
- Integrated System/Sleep Clock
- Integrated high performance ceramic chip antenna
- **ARM Cortex M0** 32bit processor
- **256kB Flash** and **16kB RAM**
- Interface: SPI, UART, I2C and 8/9/10bit ADC
- Outline: **9.6 x 12.9 x 2.0** mm with **1mm** pad pitch
- Operating Temperature range: -25 to 75 deg-C
- Bluetooth and Japan, FCC, IC qualified
- CE Conducted Test Report Available
- RoHS compliant / Complete Lead Free

Applications

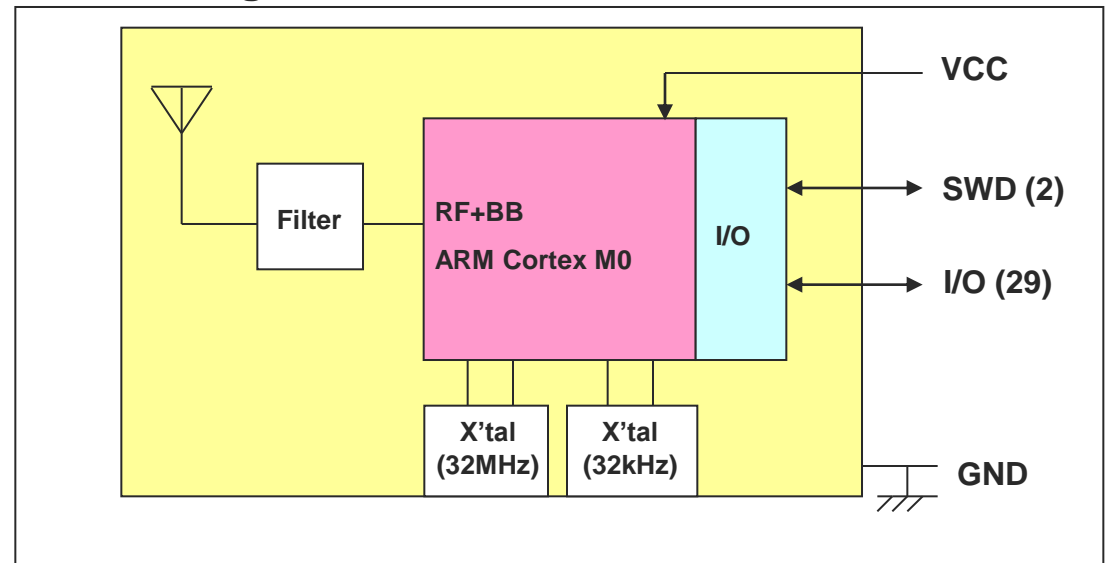
- Cycle computer
- Heart rate monitor
- Blood pressure monitor
- Blood glucose meter
- Weighing machine
- Thermometer
- Mobile accessories
- Sports and fitness sensors
- Remote controllers / Toys

Outline

Unit: mm



Block Diagram



All specifications are subject to change without notice.

The *Bluetooth*® word mark and logos are owned by the *Bluetooth* SIG, Inc. and any use of such marks by TAIYO YUDEN CO., LTD. is under license.

TAIYO YUDEN

Bluetooth® low energy Module: **EYSGCNZWY**

Features

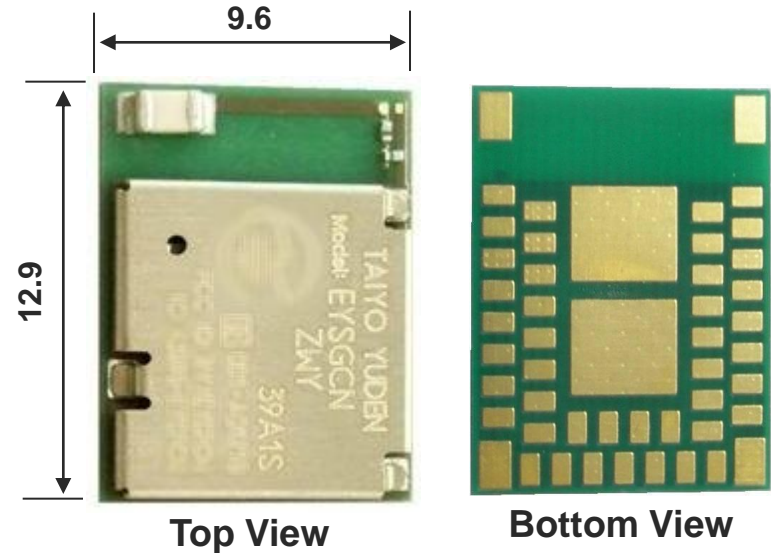
- Frequency: 2402 to 2480 MHz
- Output power: +4dBm typ.
- Single power supply: 1.8 – 3.6V
- Single Mode Bluetooth low energy **Slave / Master**
- Chip: nRF51822 **Rev.3** (Nordic)
- Integrated System/**Sleep Clock**
- Integrated high performance ceramic chip antenna
- ARM Cortex M0** 32bit processor
- 256kB Flash** and **32kB RAM**
- Interface: SPI, UART, I2C and 8/9/10bit ADC
- Outline: **9.6 x 12.9 x 2.0** mm with **1mm** pad pitch
- Operating Temperature range: -25 to 75 deg-C
- Bluetooth and Japan, FCC, IC qualified
- CE Conducted Test Report Available
- RoHS compliant / Complete Lead Free

Applications

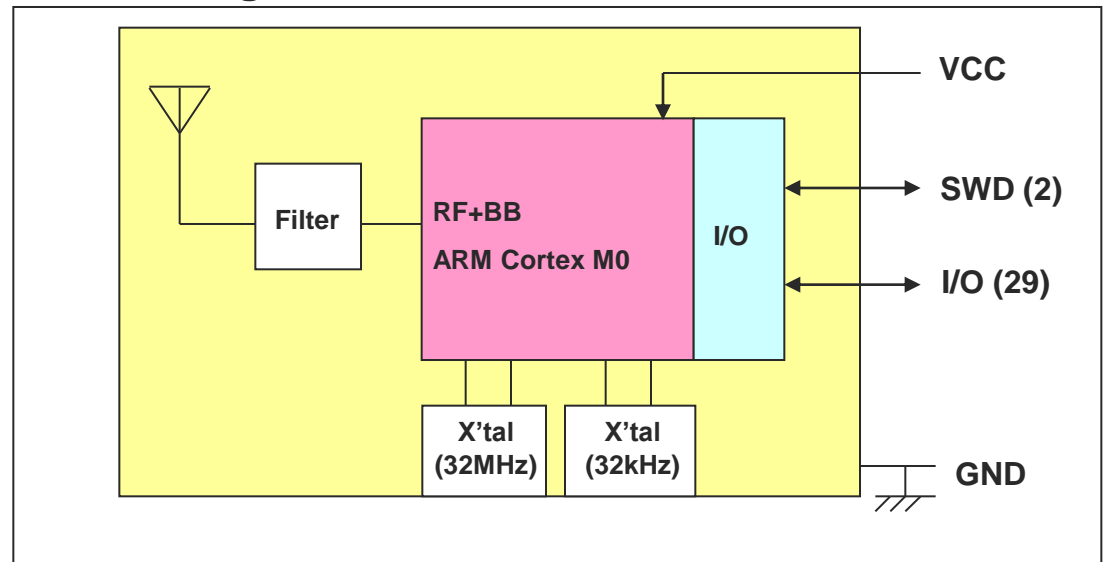
- Cycle computer
- Heart rate monitor
- Blood pressure monitor
- Blood glucose meter
- Weighing machine
- Thermometer
- Mobile accessories
- Sports and fitness sensors
- Remote controllers / Toys

Outline

Unit: mm



Block Diagram



All specifications are subject to change without notice.

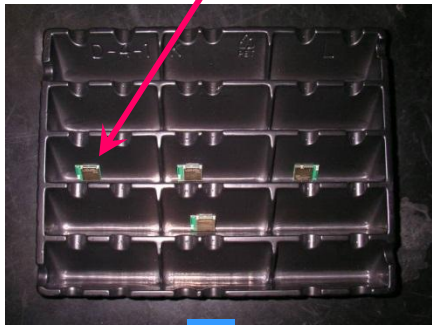
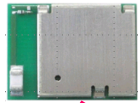
The *Bluetooth*® word mark and logos are owned by the *Bluetooth* SIG, Inc. and any use of such marks by TAIYO YUDEN CO., LTD. is under license.

TAIYO YUDEN

Bluetooth® low energy Module Sample, Evaluation Board / Kit

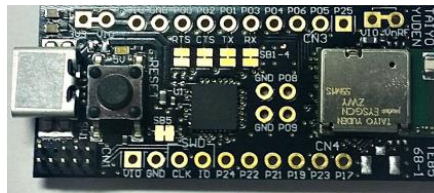
EYSGCNZXX, EYSGCNZWY (Module)

Module samples



EBSGCMZWY (EV-B)

Evaluation board



EKSGCMZWY (EV-K)

Evaluation kit



**SEGGER
J-Link LITE
Attached**



Bluetooth® low energy Module **EYSGJNZXX**

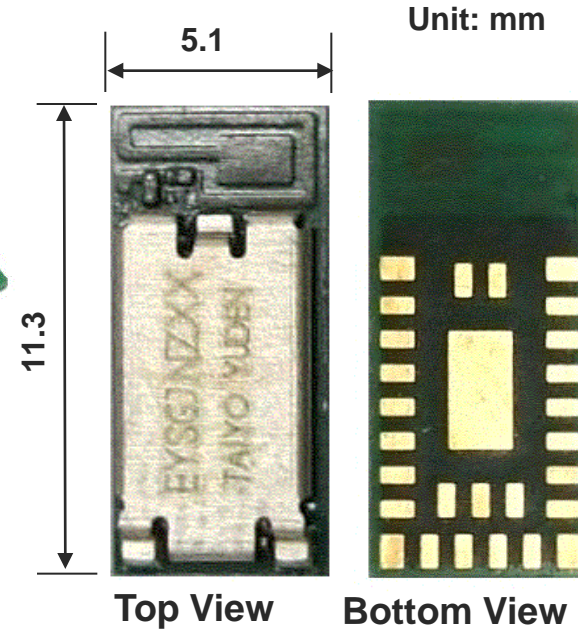
Features

- Frequency: 2402 to 2480 MHz
- Output power: +4dBm typ.
- Single power supply: 1.8 – 3.6V
- Single Mode Bluetooth low energy Slave
- Chip: nRF51822 **Rev.3** (Nordic)
- Integrated System Clock
- ARM Cortex M0** 32bit processor
- 256kB Flash** and **16kB RAM**
- Interface: SPI, UART, I2C and 8/9/10bit ADC
- Integrated high performance pattern antenna
- Outline: **5.1 x 11.3 x 1.3**mm MAX
- Operating Temperature range: -25 to 75 deg-C
- Bluetooth and Japan, FCC, IC qualified
- CE Conducted Test Report Available
- RoHS compliant / Complete Lead Free

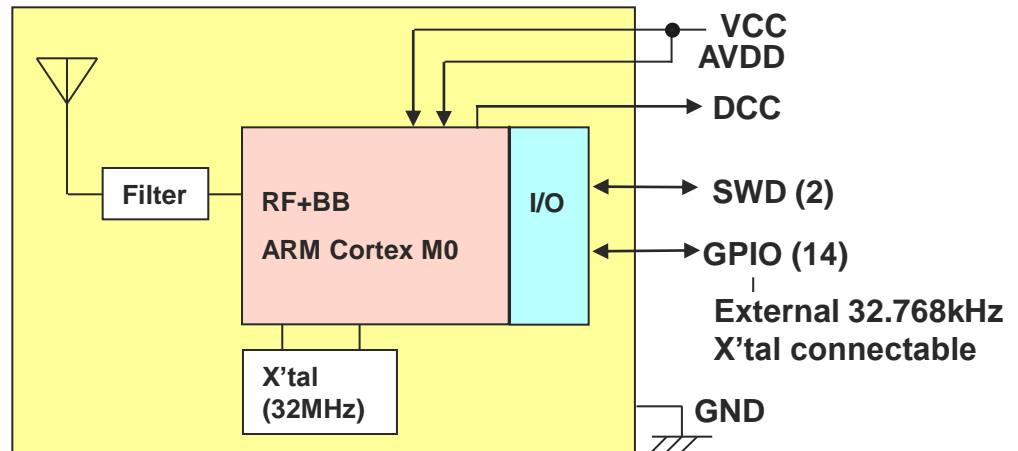
Applications

- Cycle computer
- Heart rate monitor
- Blood pressure monitor
- Blood glucose meter
- Weighing machine
- Thermometer
- Mobile accessories
- Sports and fitness sensors
- Remote controllers / Toys

Outline



Block Diagram



All specifications are subject to change without notice.

The *Bluetooth*® word mark and logos are owned by the *Bluetooth* SIG, Inc. and any use of such marks by TAIYO YUDEN CO., LTD. is under license.

Bluetooth® low energy Module **EYSGJNZWY**

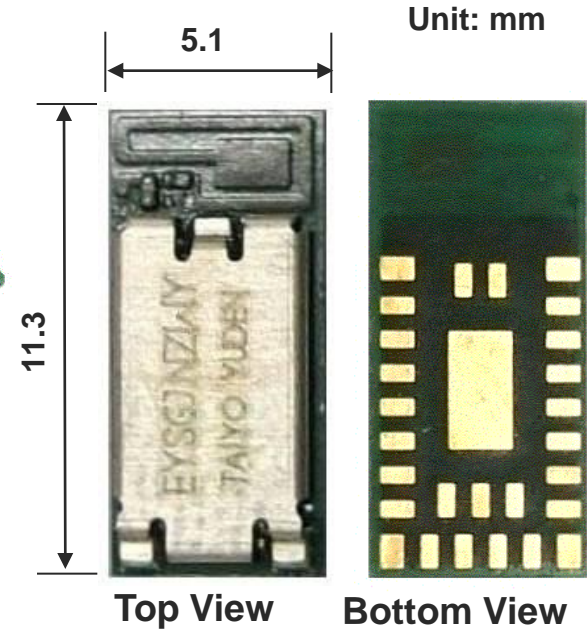
Features

- Frequency: 2402 to 2480 MHz
- Output power: +4dBm typ.
- Single power supply: 1.8 – 3.6V
- Single Mode Bluetooth low energy **Slave / Master**
- Chip: nRF51822 **Rev.3** (Nordic)
- Integrated System Clock
- ARM Cortex M0** 32bit processor
- 256kB Flash** and **32kB RAM**
- Interface: SPI, UART, I2C and 8/9/10bit ADC
- Integrated high performance pattern antenna
- Outline: **5.1 x 11.3 x 1.3**mm MAX
- Operating Temperature range: -25 to 75 deg-C
- Bluetooth and Japan, FCC, IC qualified
- CE Conducted Test Report Available
- RoHS compliant / Complete Lead Free

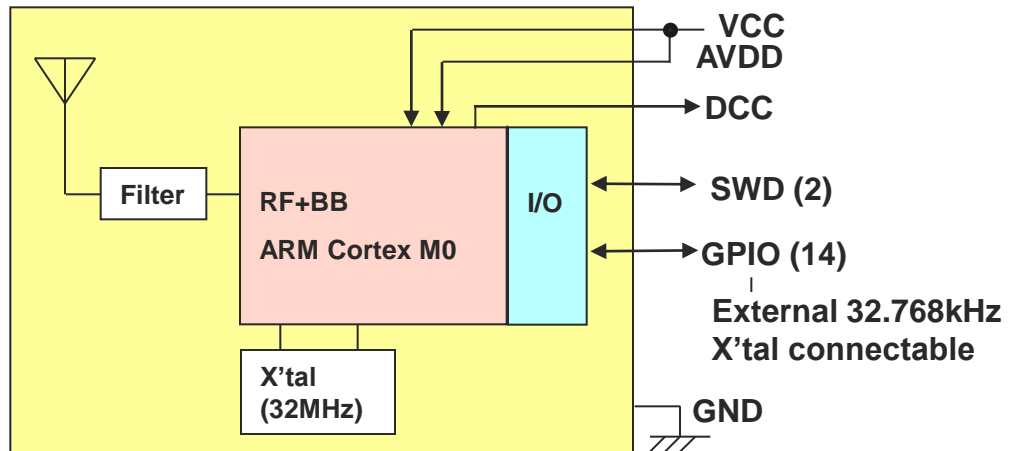
Applications

- Cycle computer
- Heart rate monitor
- Blood pressure monitor
- Blood glucose meter
- Weighing machine
- Thermometer
- Mobile accessories
- Sports and fitness sensors
- Remote controllers / Toys

Outline



Block Diagram



All specifications are subject to change without notice.

The *Bluetooth*® word mark and logos are owned by the *Bluetooth* SIG, Inc. and any use of such marks by TAIYO YUDEN CO., LTD. is under license.

TAIYO YUDEN

ANT + Bluetooth® low energy Module **EYAGJNZXX**

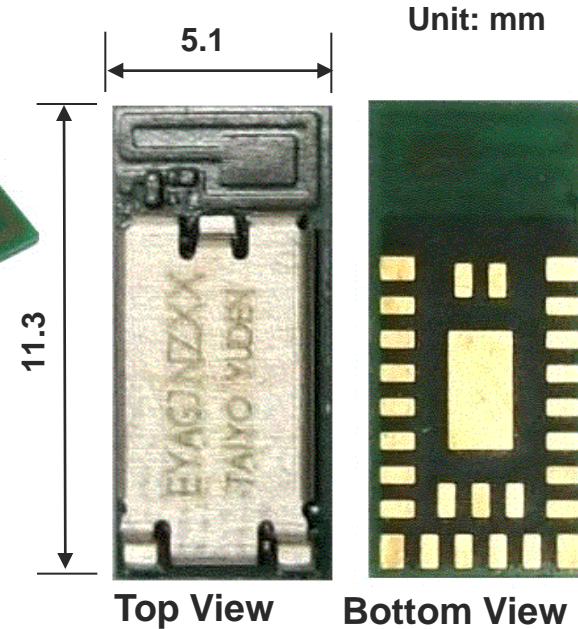
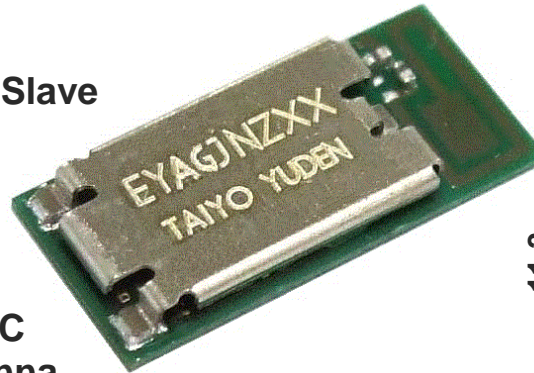
Features

- Frequency: 2402 to 2480 MHz
- Output power: +4dBm typ.
- Single power supply: 1.8 – 3.6V
- ANT** + Single Mode Bluetooth low energy Slave
- Chip: **nRF51422 Rev 3** (Nordic)
- Integrated System Clock
- ARM Cortex M0** 32bit processor
- 256kB Flash and 32kB RAM**
- Interface: SPI, UART, I2C and 8/9/10bit ADC
- Integrated high performance pattern antenna
- Outline: **5.1 x 11.3 x 1.3**mm MAX
- Operating Temperature range: -25 to 75 deg-C
- Bluetooth and Japan, FCC, IC qualified
- CE Conducted Test Report Available
- RoHS compliant / Complete Lead Free

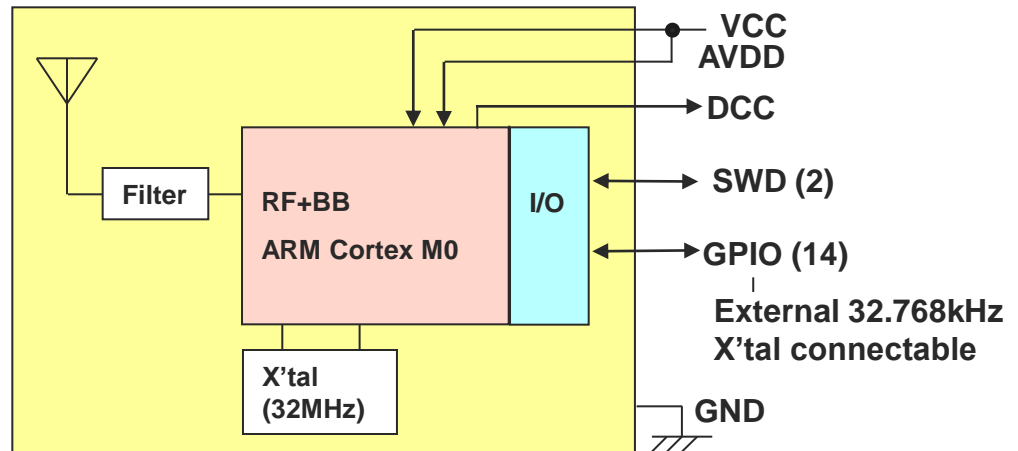
Applications

- Cycle computer
- Heart rate monitor
- Blood pressure monitor
- Blood glucose meter
- Weighing machine
- Thermometer
- Mobile accessories
- Sports and fitness sensors
- Remote controllers / Toys

Outline



Block Diagram



All specifications are subject to change without notice.

The *Bluetooth*® word mark and logos are owned by the *Bluetooth* SIG, Inc. and any use of such marks by TAIYO YUDEN CO., LTD. is under license.

Bluetooth® low energy Module Sample, Evaluation Board / Kit

**EYSGJNZXX, EYSGJNZWY,
EYAGJNZXX** (Module)

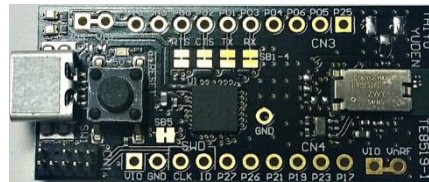
EBSGJNZWY, EBAGJNZXX
(EV-B)

EKSGJNZWY, EKAGJNZXX
(EV-K)

Module samples



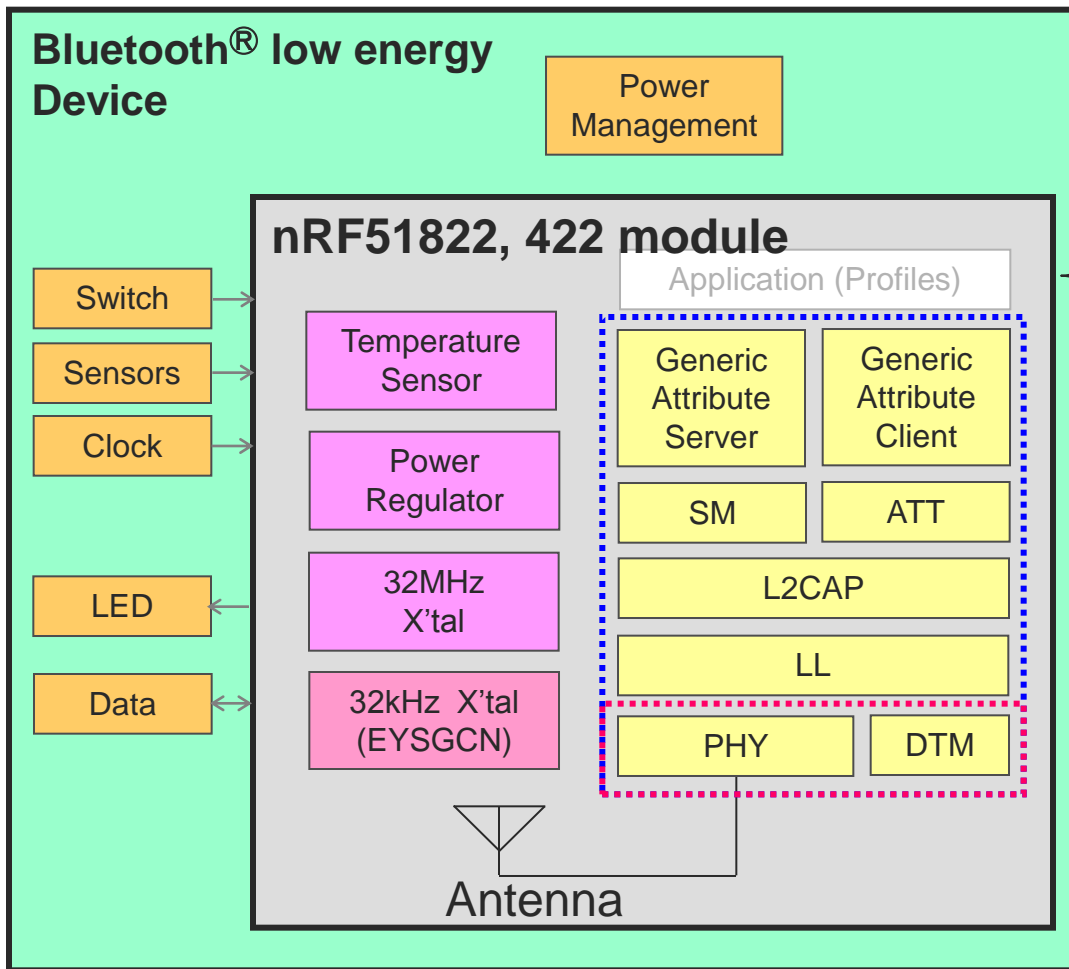
Evaluation board



Evaluation kit



Application Layer image for Basic Module



- Alert Notification **Nordic SDK**
- Blood Pressure
- Cycling Speed and Cadence
- Glucose
- HID Mouse
- Heart Rate
- Phone Alert Status
- Proximity
- Running Speed and Cadence
- Time

Basic module will be written under GATT.

Softdevice



- GAP:** Generic Access Profile
- SM:** Security Manager
- ATT:** Attribute Protocol
- L2CAP:** Logical Link Control and Adaptation Protocol
- LL:** Link Layer
- PHY:** Physical Layer
- DTM:** Direct Test Mode

EYSGCN, EYSGJN, EYAGJN
Basic Module

Bluetooth® low energy Module: **EYSGCNAWY-1X**

Features

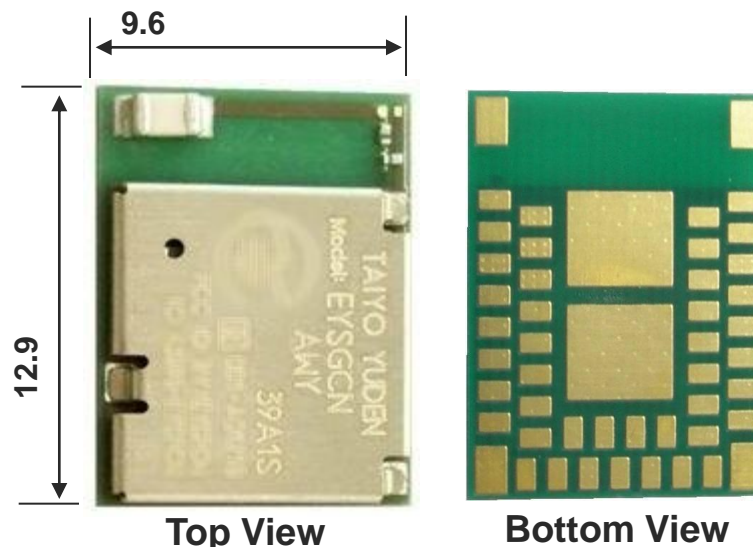
- Frequency: 2402 to 2480 MHz
- Output power: +4dBm typ.
- Single power supply: 1.8 – 3.6V
- Single Mode Bluetooth low energy **Slave / Master**
- Chip: nRF51822 (Nordic)
- Integrated System/Sleep Clock
- Integrated high performance ceramic chip antenna
- **ARM Cortex M0** 32bit processor
- **Application Embedded by Taiyo Yuden**
- **(TY's App Lite Generic Data transfer, Battery Service)**
- Interface: UART
- Outline: **9.6 x 12.9 x 2.0** mm with **1mm** pad pitch
- Operating Temperature range: -25 to 75 deg-C
- Bluetooth and Japan, FCC, IC qualified
- CE Conducted Test Report Available
- RoHS compliant / Complete Lead Free

Applications

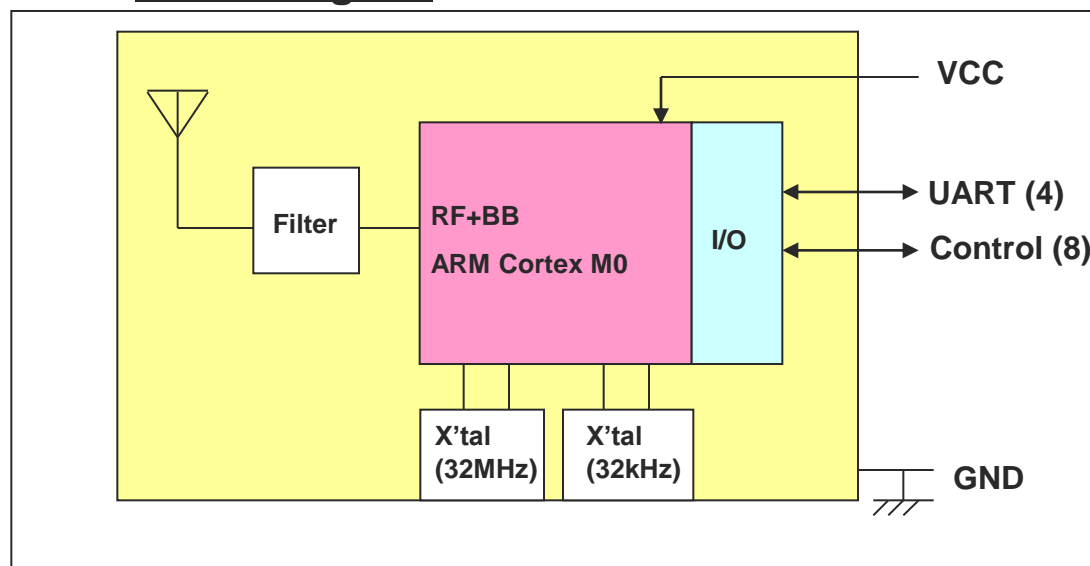
- Cycle computer
- Heart rate monitor
- Blood pressure monitor
- Blood glucose meter
- Weighing machine
- Thermometer
- Mobile accessories
- Sports and fitness sensors
- Remote controllers / Toys

Outline

Unit: mm



Block Diagram



All specifications are subject to change without notice.

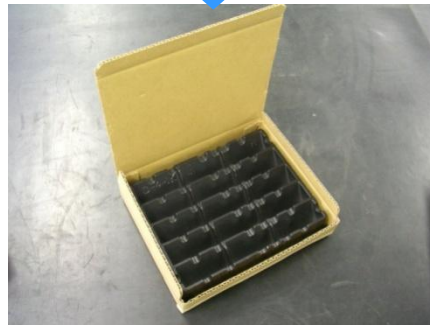
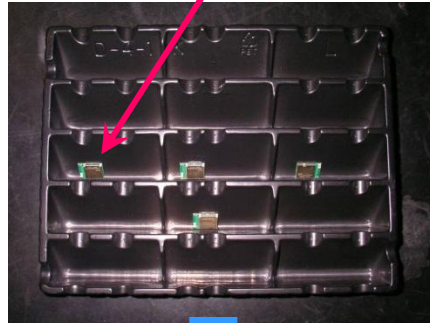
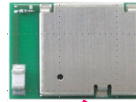
The *Bluetooth*® word mark and logos are owned by the *Bluetooth* SIG, Inc. and any use of such marks by TAIYO YUDEN CO., LTD. is under license.

TAIYO YUDEN

Bluetooth® low energy Module Sample, Evaluation Board

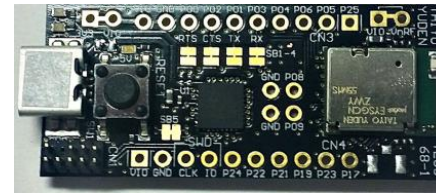
EYSGCNAWY-1X (Module)

■ Module samples



EBSGCNAWY-1X (EV-B)

■ Evaluation board



Bluetooth® low energy Module **EYSGJNAWY-1X**

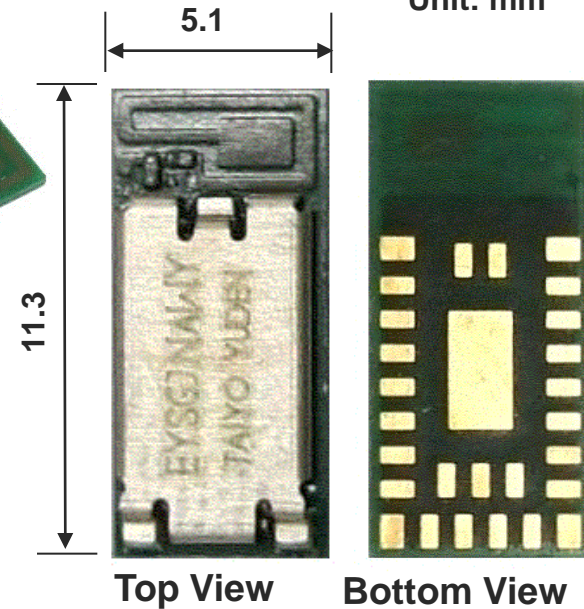
Features

- Frequency: 2402 to 2480 MHz
- Output power: +4dBm typ.
- Single power supply: 1.8 – 3.6V
- Single Mode Bluetooth low energy **Slave / Master**
- Chip: nRF51822 Rev3 (Nordic)
- Integrated System Clock
- ARM Cortex M0** 32bit processor
- Application Embedded by Taiyo Yuden**
- (TY's App : Generic Data transfer, Battery Service)**
- Interface: UART
- Integrated high performance pattern antenna
- Outline: **5.1 x 11.3 x 1.3**mm MAX
- Operating Temperature range: -25 to 75 deg-C
- Bluetooth and Japan, FCC, IC qualified
- CE Conducted Test Report Available
- RoHS compliant / Complete Lead Free

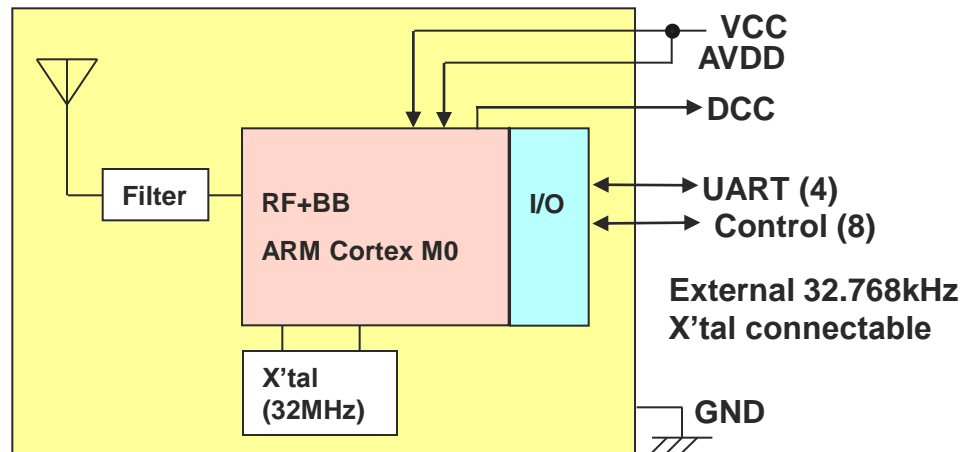
Applications

- Cycle computer
- Heart rate monitor
- Blood pressure monitor
- Blood glucose meter
- Weighing machine
- Thermometer
- Mobile accessories
- Sports and fitness sensors
- Remote controllers / Toys

Outline



Block Diagram



All specifications are subject to change without notice.

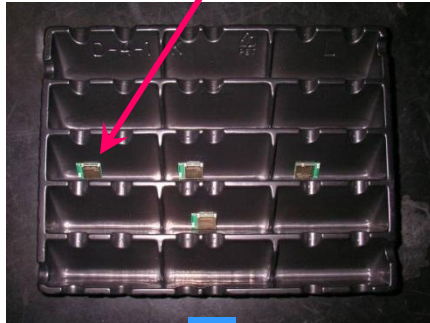
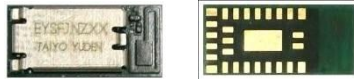
The *Bluetooth*® word mark and logos are owned by the *Bluetooth* SIG, Inc. and any use of such marks by TAIYO YUDEN CO., LTD. is under license.

TAIYO YUDEN

Bluetooth® low energy Module Sample, Evaluation Board

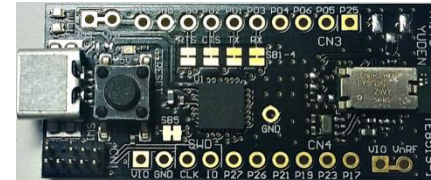
EYSGJNAWY-1X (Module)

■ Module samples



EBSGJNAWY-1X (EV-B)

■ Evaluation board



Bluetooth® low energy Module: **EYSGCNAWY-WX**

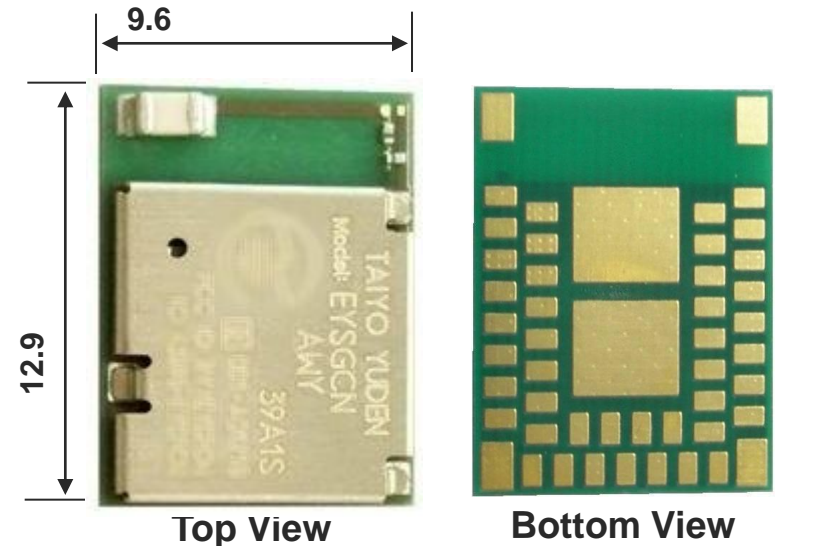
Features

- Frequency: 2402 to 2480 MHz
- Output power: +4dBm typ.
- Single power supply: 1.8 – 3.6V
- Single Mode Bluetooth low energy **Slave / Master**
- Chip: nRF51822 (Nordic)
- Integrated System/Sleep Clock
- Integrated high performance ceramic chip antenna
- ARM Cortex M0** 32bit processor
- Application Embedded by Taiyo Yuden**
- (TY's App : Generic Data transfer, Battery Service)**
- Interface: UART
- Outline: **9.6 x 12.9 x 2.0** mm with **1mm** pad pitch
- Operating Temperature range: -25 to 75 deg-C
- Bluetooth and Japan, FCC, IC qualified
- CE Conducted Test Report Available
- RoHS compliant / Complete Lead Free

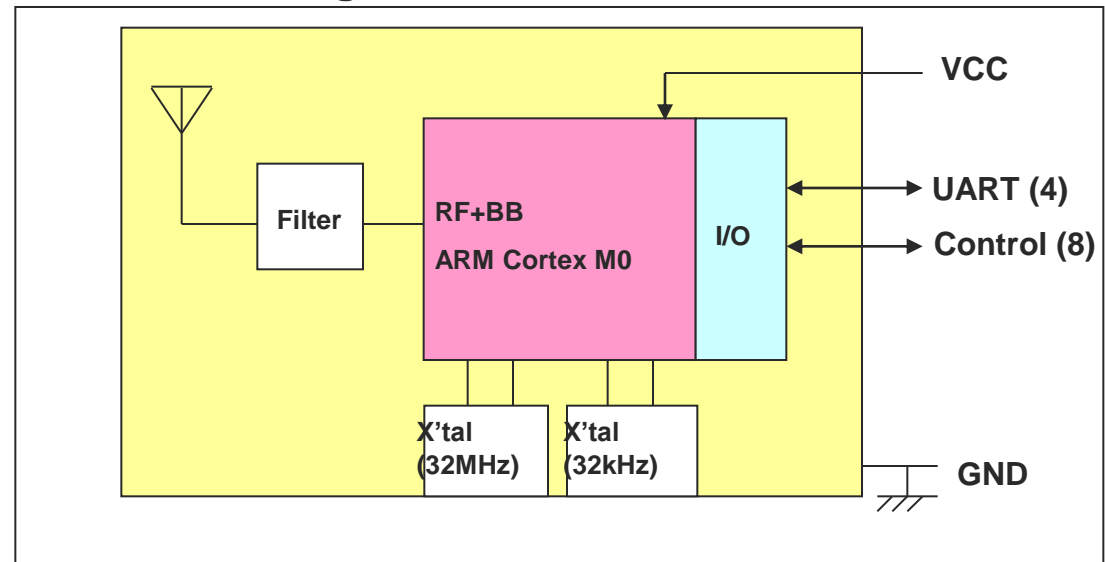
Applications

- Cycle computer
- Heart rate monitor
- Blood pressure monitor
- Blood glucose meter
- Weighing machine
- Thermometer
- Mobile accessories
- Sports and fitness sensors
- Remote controllers / Toys

Outline



Block Diagram



All specifications are subject to change without notice.

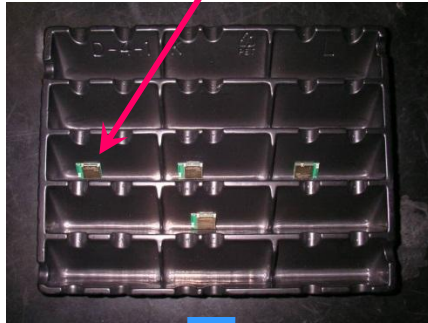
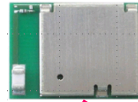
The *Bluetooth*® word mark and logos are owned by the *Bluetooth* SIG, Inc. and any use of such marks by TAIYO YUDEN CO., LTD. is under license.

TAIYO YUDEN

Bluetooth® low energy Module Sample, Evaluation Board

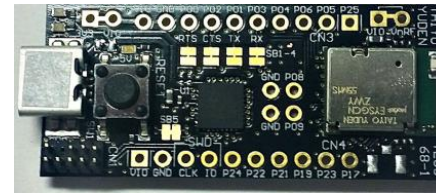
EYSGCNAWY-WX (Module)

■ Module samples



EBSGCNAWY-WX (EV-B)

■ Evaluation board



Bluetooth® low energy Module **EYSGJNAWY-WX**

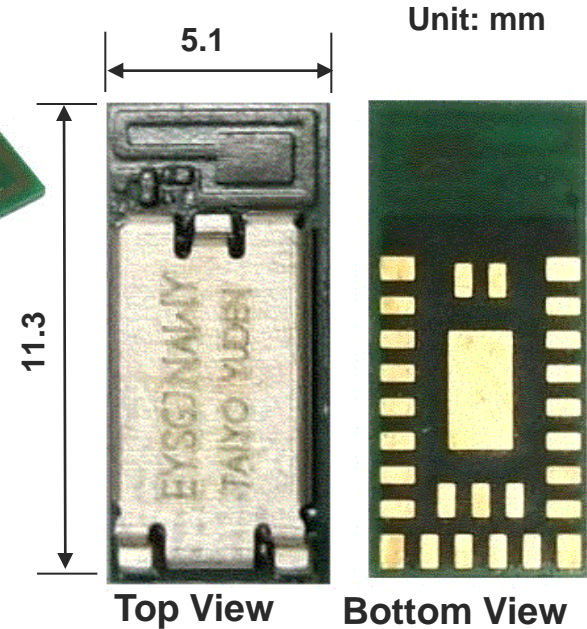
Features

- Frequency: 2402 to 2480 MHz
- Output power: +4dBm typ.
- Single power supply: 1.8 – 3.6V
- Single Mode Bluetooth low energy **Slave / Master**
- Chip: nRF51822 Rev3 (Nordic)
- Integrated System Clock
- ARM Cortex M0** 32bit processor
- Application Embedded by Taiyo Yuden**
- (TY's App : Generic Data transfer, Battery Service)**
- Interface: UART
- Integrated high performance pattern antenna
- Outline: **5.1 x 11.3 x 1.3**mm MAX
- Operating Temperature range: -25 to 75 deg-C
- Bluetooth and Japan, FCC, IC qualified
- CE Conducted Test Report Available
- RoHS compliant / Complete Lead Free

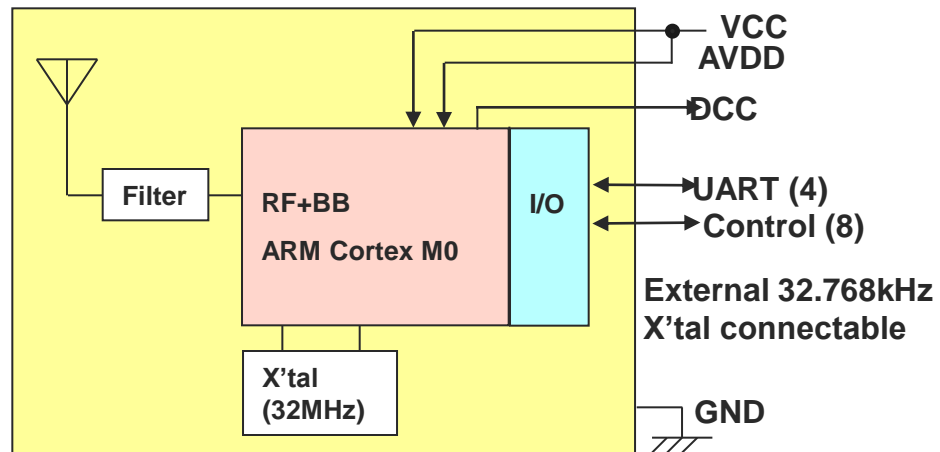
Applications

- Cycle computer
- Heart rate monitor
- Blood pressure monitor
- Blood glucose meter
- Weighing machine
- Thermometer
- Mobile accessories
- Sports and fitness sensors
- Remote controllers / Toys

Outline



Block Diagram



All specifications are subject to change without notice.

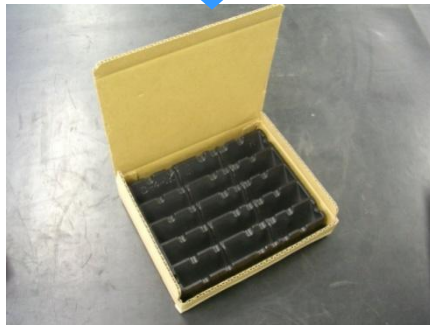
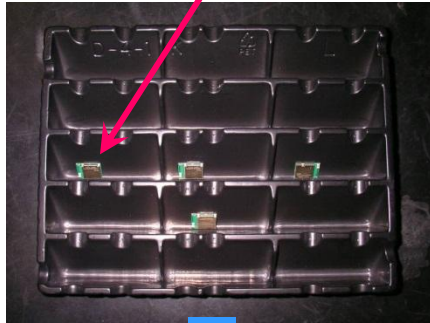
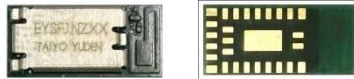
The *Bluetooth*® word mark and logos are owned by the *Bluetooth* SIG, Inc. and any use of such marks by TAIYO YUDEN CO., LTD. is under license.

TAIYO YUDEN

Bluetooth® low energy Module Sample, Evaluation Board

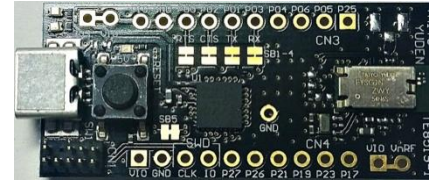
EYSGJNAWY-WX (Module)

■ Module samples

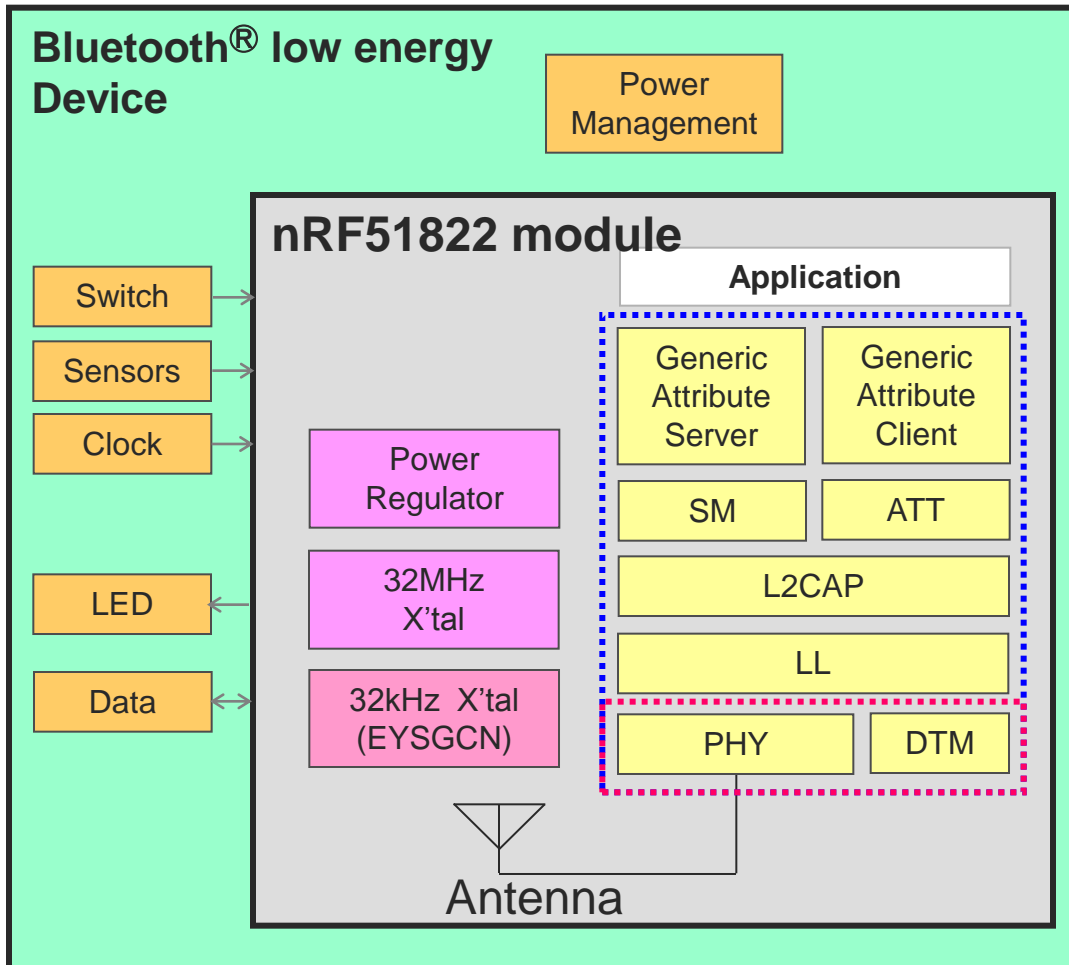


EBSGJNAWY-WX (EV-B)

■ Evaluation board



Application Layer image for Application Embedded Module



EYSGCN, EYSGJN Application Embedded Module

Connection option

-1X module for
Module - Module only

-WX module for
Module - Module
Module - Smart phone

Softdevice



GAP: Generic Access Profile
SM: Security Manager
ATT: Attribute Protocol
L2CAP: Logical Link Control and Adaptation Protocol
LL: Link Layer
PHY: Physical Layer
DTM: Direct Test Mode

Bluetooth® low energy standard module

Type	Part No.	Size (LxWxH)	Specification	ANT™ Support	I/F	RAM	Certification	Temperature	
High Performance Basic	EYSHCNZXZ	9.6x12.9 X2.0mm	Bluetooth V4.2 BLE Single Slave/ Master	✓	UART SPI I2C	64kB	Japan FCC IC (CE)*	-40~+85 deg-C	
	EYSHJNZXZ	5.1x11.3 X1.3mm		✓		64kB			
Basic (Software Support : Nordic)	EYSGCNZXX	9.6x12.9 x2.0mm		✓		UART SPI I2C		16kB	
	EYSGCNZWY							32kB	
	EYSGJNZXX	5.1x11.3 x1.3mm						16kB	
	EYSGJNZWY				32kB				
	EYAGJNZXX				32kB				
Application Embedded Module – Module (Software Support : Taiyo Yuden)	EYSGCNAWY-1X	9.6x12.9 x2.0mm		UART	N/A				-25~+75 deg-C
	EYSGJNAWY-1X	5.1x11.3 x1.3mm							
Application Embedded Module – Smart phone (Software Support : Taiyo Yuden)	EYSGCNAWY-WX	9.6x12.9 x2.0mm							
	EYSGJNAWY-WX	5.1x11.3 x1.3mm							

TAIYO YUDEN

OUR CERTIFICATE

DiGi provide top-quality products and perfect service for customer worldwide through standardization, technological innovation and continuous improvement. DiGi through third-party certification, we stricly control the quality of products and services. Welcome your RFQ to

Email: Info@DiGi-Electronics.com



Tel: +00 852-30501935

RFQ Email: Info@DiGi-Electronics.com

DiGi is a global authorized distributor of electronic components.