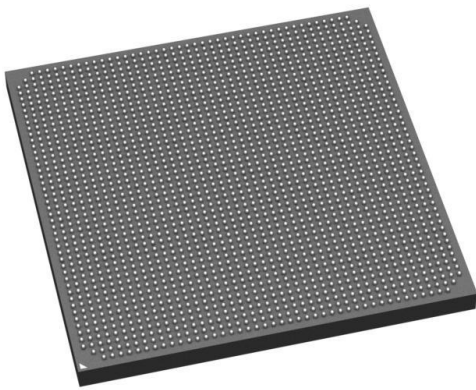


# XCKU19P-L1FFVB2104I Datasheet

[www.digi-electronics.com](http://www.digi-electronics.com)



XCKU19P-L1FFVB2104I

<https://www.DiGi-Electronics.com>

|                              |  |
|------------------------------|--|
| DiGi Electronics Part Number | XCKU19P-L1FFVB2104I-DG   |
| Manufacturer                 | <a href="#">AMD</a>  |
| Manufacturer Product Number  | XCKU19P-L1FFVB2104I  |
| Description                  | IC FPGA KINTEX UP LP 2104FCBGA   |
| Detailed Description         | Virtex® UltraScale+™ Field Programmable Gate Array (FPGA) IC 540 63753421 1842750 2104-BBGA, FCBGA |



Tel: +00 852-30501935

RFQ Email: [Info@DiGi-Electronics.com](mailto:Info@DiGi-Electronics.com)

DiGi is a global authorized distributor of electronic components.

## Purchase and inquiry

Manufacturer Product Number:

XCKU19P-L1FFVB2104I

Series:

Virtex® UltraScale+™

DiGi-Electronics Programmable:

Not Verified

Number of Logic Elements/Cells:

1842750

Number of I/O:

540

Mounting Type:

Surface Mount

Package / Case:

2104-BBGA, FCBGA

Manufacturer:

AMD

Product Status:

Active

Number of LABs/CLBs:

105300

Total RAM Bits:

63753421

Voltage - Supply:

0.698V ~ 0.742V

Operating Temperature:

-40°C ~ 100°C (Tj)

Supplier Device Package:

2104-FCBGA (47.5x47.5)

## Environmental & Export classification

RoHS Status:

ROHS3 Compliant

ECCN:

3A991D

Moisture Sensitivity Level (MSL):

4 (72 Hours)

HTSUS:

8542.39.0001



# UltraScale Architecture and Product Data Sheet: Overview

DS890 (v4.9) February 3, 2026

Product Specification

## General Description

The AMD UltraScale™ architecture comprises high-performance FPGA, MPSoC, and RFSoc families that address a vast spectrum of system requirements with a focus on lowering total power consumption through innovative technological advancements.

**Spartan™ UltraScale+™ FPGAs:** Cost-optimized devices with high I/O to logic ratio and integrated memory controllers for broad based, cost sensitive applications.

**Artix™ UltraScale+ FPGAs:** Highest serial bandwidth and signal compute density in a cost-optimized device for critical networking applications, vision and video processing, and secured connectivity.

**Kintex™ UltraScale FPGAs:** High-performance with a focus on price/performance, using both monolithic and stacked silicon interconnect (SSI) technology. High DSP and block RAM-to-logic ratios and transceivers, combined with low-cost packaging, enable an optimum blend of capability and cost.

**Kintex UltraScale+ FPGAs:** Increased performance and on-chip UltraRAM memory to reduce BOM cost. The ideal mix of high-performance peripherals and cost-effective system implementation with numerous power options for the optimal balance between the required system performance and the smallest power envelope.

**Kintex UltraScale+ Gen 2 FPGAs:** Kintex UltraScale+ Gen 2 FPGAs deliver enhanced real-time processing and higher memory bandwidth for high-performance embedded, test, and broadcast systems. They provide a modernized balance of compute density, connectivity, and power efficiency to support demanding multi-channel and latency-sensitive applications.

**Virtex™ UltraScale FPGAs:** High-capacity, high-performance FPGAs enabled using both monolithic and SSI technology. Virtex UltraScale devices achieve the highest system capacity, bandwidth, and performance to address key market and application requirements through integration of various system-level functions.

**Virtex UltraScale+ FPGAs:** The highest transceiver bandwidth, highest DSP count, and highest on-chip and in-package memory available in the UltraScale architecture with numerous power options for the optimal balance of the system performance and the smallest power envelope.

**Zynq™ UltraScale+ MPSoCs:** Combine the Arm® v8-based Cortex®-A53 high-performance energy-efficient 64-bit application processor with the Arm Cortex-R5F real-time processor and the UltraScale architecture to create programmable MPSoCs. Provide unprecedented power savings, heterogeneous processing, and programmable acceleration.

**Zynq UltraScale+ RFSoc:** Combine RF data converter subsystem and forward error correction with programmable logic and heterogeneous processing capability. Integrated RF-ADCs, RF-DACs, and soft decision FECs (SD-FEC) provide the key subsystems for multiband, multi-mode cellular radios and cable infrastructure.

## Family Comparisons

Table 1: Device Resources

|                               | Spartan UltraScale+ FPGA | Artix UltraScale+ FPGA | Kintex UltraScale FPGA | Kintex UltraScale+ FPGA | Kintex UltraScale+ Gen 2 FPGA | Virtex UltraScale FPGA | Virtex UltraScale+ FPGA | Zynq UltraScale+ MPSoC | Zynq UltraScale+ RFSoc |
|-------------------------------|--------------------------|------------------------|------------------------|-------------------------|-------------------------------|------------------------|-------------------------|------------------------|------------------------|
| Processing System             |                          |                        |                        |                         |                               |                        |                         | ✓                      | ✓                      |
| RF-ADC/DAC                    |                          |                        |                        |                         |                               |                        |                         |                        | ✓                      |
| SD-FEC                        |                          |                        |                        |                         |                               |                        |                         |                        | ✓                      |
| System Logic Cells (K)        | 11–218                   | 82–308                 | 318–1,451              | 356–1,843               | 328–491                       | 783–5,541              | 862–8,938               | 81–1,143               | 328–930                |
| Block RAM (Mb)                | 1.7–6.8                  | 3.5–10.5               | 12.7–75.9              | 12.7–60.8               | 11.8–17.7                     | 44.3–132.9             | 23.6–94.5               | 3.8–34.6               | 15.8–38.0              |
| UltraRAM (Mb)                 | 0–18.0                   |                        |                        | 0–81                    | 18.0–27.0                     |                        | 90–360                  | 0–36                   | 13.5–45.0              |
| HBM DRAM (GB)                 |                          |                        |                        |                         |                               |                        | 0–16                    |                        |                        |
| DSP (Slices)                  | 24–384                   | 216–1,200              | 768–5,520              | 1,368–3,528             | 1,248–1,872                   | 600–2,880              | 1,320–12,288            | 216–3,528              | 1,200–4,272            |
| DSP Performance (GMAC/s)      | 595                      | 1,860                  | 8,180                  | 6,287                   | 3,336                         | 4,268                  | 21,897                  | 6,287                  | 7,613                  |
| Transceivers                  | 0–8                      | 4–12                   | 12–64                  | 16–76                   | 16–24                         | 36–120                 | 32–128                  | 0–72                   | 4–16                   |
| Max. GT Speed (Gb/s)          | 16.3                     | 16.3                   | 16.3                   | 32.75                   | 32.75                         | 30.5                   | 58.0                    | 32.75                  | 32.75                  |
| Max. Serial BW (bidir) (Gb/s) | 261                      | 393                    | 2,086                  | 3,268                   | 1,572                         | 5,616                  | 8,384                   | 3,268                  | 1,048                  |
| Memory Interface Perf (Mb/s)  | 4,266                    | 2,400                  | 2,400                  | 2,666                   | 4,266                         | 2,400                  | 2,666                   | 2,666                  | 2,666                  |
| PL I/O Pins                   | 220–572                  | 128–304                | 312–832                | 280–668                 | 276–516                       | 338–1,456              | 208–2,072               | 82–668                 | 152–408                |

DS890 (v4.9) February 3, 2026

Product Specification

## Summary of Features

### RF Data Converter Subsystem Overview

Most Zynq UltraScale+ RFSocS include an RF data converter subsystem, which contains multiple radio frequency analog to digital converters (RF-ADCs) and multiple radio frequency digital to analog converters (RF-DACs). The high-precision, high-speed, power efficient RF-ADCs and RF-DACs can be individually configured for real data or in most cases can be configured in pairs for real and imaginary I/Q data. See [RF-ADCs](#) and [RF-DACs](#) sections.

### Digital Front-End (DFE) Overview

Zynq UltraScale+ RFSoc DFE devices contain integrated IP cores to perform many of the DFE functions required in a 5G radio. With new radio standards rapidly evolving for 5G, combining integrated DFE IP with the adaptability of programmable logic provides a low-risk, flexible approach to 5G implementation.

### Soft Decision Forward Error Correction (SD-FEC) Overview

Some Zynq UltraScale+ RFSocS include highly flexible soft decision FEC blocks for decoding and encoding data as a means to control errors in data transmission over unreliable or noisy communication channels. The SD-FEC blocks support low-density parity check (LDPC) decode/encode and Turbo decode for use in 5G wireless, backhaul, DOCSIS, and LTE applications.

### Processing System Overview

Zynq UltraScale+ MPSocS and RFSocS feature dual and quad core variants of the Arm Cortex-A53 (APU) with dual-core Arm Cortex-R5F (RPU) processing system (PS). Some devices also include a dedicated Arm Mali™-400 MP2 graphics processing unit (GPU). See [Table 2](#).

**Table 2: Zynq UltraScale+ MPSoc and RFSoc Device Features**

|     | MPSoc                    |                          |                          | RFSoc                    |
|-----|--------------------------|--------------------------|--------------------------|--------------------------|
|     | CG Devices               | EG Devices               | EV Devices               | DR Devices               |
| APU | Dual-core Arm Cortex-A53 | Quad-core Arm Cortex-A53 | Quad-core Arm Cortex-A53 | Quad-core Arm Cortex-A53 |
| RPU | Dual-core Arm Cortex-R5F | Dual-core Arm Cortex-R5F | Dual-core Arm Cortex-R5F | Dual-core Arm Cortex-R5F |
| GPU | –                        | Mali-400MP2              | Mali-400MP2              | –                        |
| VCU | –                        | –                        | H.264/H.265              | –                        |

To support the processors' functionality, a number of peripherals with dedicated functions are included in the PS. For interfacing to external memories for data or configuration storage, the PS includes a multi-protocol dynamic memory controller, a DMA controller, a NAND controller, an SD/eMMC controller and a Quad SPI controller. In addition to interfacing to external memories, the APU also includes a Level-1 (L1) and Level-2 (L2) cache hierarchy; the RPU includes an L1 cache and Tightly Coupled memory subsystem. Each has access to a 256 KB on-chip memory.



For high-speed interfacing, the PS includes 4 channels of transmit (TX) and receive (RX) pairs of transceivers, called PS-GTR transceivers, supporting data rates of up to 6.0 Gb/s. These transceivers can interface to the high-speed peripheral blocks that support PCIe at 5.0 GT/s (Gen 2) as a root complex or Endpoint in x1, x2, or x4 configurations; Serial-ATA (SATA) at 1.5 Gb/s, 3.0 Gb/s, or 6.0 Gb/s data rates; and up to two lanes of DisplayPort™ at 1.62 Gb/s, 2.7 Gb/s, or 5.4 Gb/s data rates. The PS-GTR transceivers can also interface to components over USB 3.0 and Serial Gigabit Media Independent Interface (SGMII).

For general connectivity, the PS includes: a pair of USB 2.0 controllers, which can be configured as host, device, or On-The-Go (OTG); an I2C controller; a UART; and a CAN2.0B controller that conforms to ISO11898-1. There are also four triple speed Ethernet MACs and 128 bits of GPIO, of which 78 bits are available through the MIO and 96 through the EMIO.

High-bandwidth connectivity based on the Arm AMBA® AXI4 protocol connects the processing units with the peripherals and provides interface between the PS and the programmable logic (PL).

For additional information, go to: [DS891](#), *Zynq UltraScale+ MPSoC Overview*.

## I/O, Transceiver, PCIe, 100G Ethernet, and 150G Interlaken

Data is transported on and off chip through a combination of the high-performance parallel SelectIO™ interface and high-speed serial transceiver connectivity. I/O blocks provide support for cutting-edge memory interface and network protocols through flexible I/O standard and voltage support. The serial transceivers in the UltraScale architecture-based devices transfer data up to 58.0 Gb/s, enabling 25G+ backplane designs with dramatically lower power per bit than previous generation transceivers. All transceivers, except the PS-GTR, support the required data rates for 8.0 GT/s (Gen3), and 16.0 GT/s (Gen4) for PCIe. The integrated blocks for PCIe can be configured for Endpoint or Root Port, supporting a variety of link widths and speeds depending on the targeted device speed grade and package. Integrated blocks for 150 Gb/s Interlaken and 100 Gb/s Ethernet (100G MAC/PCS) extend the capabilities of UltraScale devices, enabling simple, reliable support for Nx100G switch and bridge applications.

## Clocks and Memory Interfaces

UltraScale devices contain powerful clock management circuitry, including clock synthesis, buffering, and routing components that together provide a highly capable framework to meet design requirements. The clock network allows for extremely flexible distribution of clocks to minimize the skew, power consumption, and delay associated with clock signals. The clock management technology is tightly integrated with dedicated memory interface circuitry to enable support for high-performance external memories, including DDR4. In addition to parallel memory interfaces, UltraScale devices support serial memories, such as hybrid memory cube (HMC).



## Routing, SSI, Logic, Storage, and Signal Processing

Configurable Logic Blocks (CLBs) containing 6-input look-up tables (LUTs) and flip-flops, DSP slices with 27x18 multipliers, 36 Kb block RAMs with built-in FIFO and ECC support, and 4Kx72 UltraRAM blocks (in UltraScale+ devices) are all connected with an abundance of high-performance, low-latency interconnect. In addition to logical functions, the CLB provides shift register, multiplexer, and carry logic functionality as well as the ability to configure the LUTs as distributed memory to complement the highly capable and configurable block RAMs. The DSP slice, with its 96-bit-wide XOR functionality, 27-bit pre-adder, and 30-bit A input, performs numerous independent functions including multiply accumulate, multiply add, and pattern detect. In addition to the device interconnect, in devices using SSI technology, signals can cross between super-logic regions (SLRs) using dedicated, low-latency interface tiles. These combined routing resources enable easy support for next-generation bus data widths. Virtex UltraScale+ HBM devices include up to 16 GB of high bandwidth memory.

## Configuration, Encryption, and System Monitoring

Successful, secure, and reliable operation of the FPGA, MPSoC, or RFSoc is ensured through numerous device-level functions. Given the rich selection of UltraScale architecture-based device types and families, the available functions and performance of these functions vary. Refer to [UG570](#), *UltraScale Architecture Configuration User Guide* and [UG1085](#), *Zynq UltraScale+ Device Technical Reference Manual* for extensive information on the available functions.

## Migrating Devices

UltraScale and UltraScale+ families provide footprint compatibility to enable users to migrate designs from one device or family to another. Any two packages with the same footprint identifier code are footprint compatible. For example, Kintex UltraScale devices in the A1156 packages are footprint compatible with Kintex UltraScale+ devices in the A1156 packages. Likewise, Virtex UltraScale devices in the B2104 packages are compatible with Virtex UltraScale+ devices and Kintex UltraScale devices in the B2104 packages. All valid device/package combinations are provided in the Device-Package Combinations and Maximum I/Os tables in this document. Refer to [UG583](#), *UltraScale Architecture PCB Design User Guide* for more detail on migrating between UltraScale and UltraScale+ devices and packages

# Spartan UltraScale+ FPGA Feature Summary

Table 3: Spartan UltraScale+ FPGA Feature Summary

|                                | SU10P  | SU25P  | SU35P  | SU45P  | SU60P  | SU65P  | SU100P  | SU150P  | SU200P  |
|--------------------------------|--------|--------|--------|--------|--------|--------|---------|---------|---------|
| System Logic Cells             | 10,938 | 21,875 | 35,700 | 52,500 | 65,625 | 65,625 | 100,800 | 137,813 | 218,400 |
| CLB Flip-Flops                 | 10,000 | 20,000 | 32,640 | 48,000 | 60,000 | 60,000 | 92,160  | 126,000 | 199,680 |
| CLB LUTs                       | 5,000  | 10,000 | 16,320 | 24,000 | 30,000 | 30,000 | 46,080  | 63,000  | 99,840  |
| Max. Distributed RAM (Mb)      | 0.1    | 0.1    | 0.2    | 0.5    | 0.7    | 0.6    | 0.9     | 1.3     | 2.0     |
| Block RAM Blocks               | 48     | 48     | 48     | 72     | 96     | 108    | 144     | 168     | 192     |
| Block RAM (Mb)                 | 1.7    | 1.7    | 1.7    | 2.5    | 3.4    | 3.8    | 5.1     | 5.9     | 6.8     |
| UltraRAM Blocks                | 0      | 0      | 0      | 0      | 0      | 0      | 0       | 16      | 64      |
| UltraRAM (Mb)                  | 0      | 0      | 0      | 0      | 0      | 0      | 0       | 4.5     | 18      |
| Memory Controller              | 0      | 0      | 0      | 0      | 0      | 2      | 2       | 2       | 2       |
| CMTs (1 MMCM and 2 PLLs)       | 2      | 2      | 2      | 3      | 3      | 5      | 5       | 6       | 6       |
| Max. XP5IO <sup>(1)</sup>      | 0      | 0      | 0      | 0      | 0      | 132    | 132     | 132     | 132     |
| Max. HPIO <sup>(2)</sup>       | 52     | 52     | 52     | 52     | 52     | 52     | 52      | 104     | 104     |
| Max. HDIO <sup>(3)</sup>       | 252    | 252    | 252    | 210    | 210    | 294    | 294     | 336     | 336     |
| DSP Slices                     | 24     | 36     | 48     | 96     | 144    | 144    | 144     | 384     | 384     |
| Platform Management Controller | 1      | 1      | 1      | 1      | 1      | 1      | 1       | 1       | 1       |
| GTH Transceiver <sup>(4)</sup> | 0      | 0      | 0      | 4      | 4      | 4      | 4       | 8       | 8       |
| Transceiver Fractional PLLs    | 0      | 0      | 0      | 2      | 2      | 2      | 2       | 4       | 4       |
| PCIe4CE <sup>(5)</sup>         | 0      | 0      | 0      | 1      | 1      | 1      | 1       | 2       | 2       |

**Notes:**

1. XP5IO = High-performance I/O with support for I/O voltage from 1.2V to 1.5V.
2. HP = High-performance I/O with support for I/O voltage from 1.0V to 1.8V.
3. HD = High-density I/O with support for I/O voltage from 1.2V to 3.3V.
4. GTH data rates are package dependent: Maximum 12.5 Gb/s in CMVB529; Maximum 16.3 Gb/s in SBVF784, SBVG784, SBVA1024, and NVBA1089.
5. Supported PCIe configurations are determined by transceiver count.

## Spartan UltraScale+ Device-Package Combinations and Maximum I/Os

Table 4: Spartan UltraScale+ Device-Package Combinations and Maximum I/Os

| Package  | Dimension (mm) | SU10P                    | SU25P           | SU35P           | SU45P           | SU60P           | SU65P             | SU100P            | SU150P             | SU200P             |
|----------|----------------|--------------------------|-----------------|-----------------|-----------------|-----------------|-------------------|-------------------|--------------------|--------------------|
|          |                | HDIO, HPIO<br>XP5IO, GTH |                 |                 |                 |                 |                   |                   |                    |                    |
| CMVA361  | 10x10          | 168, 52<br>0, 0          | 168, 52<br>0, 0 | 168, 52<br>0, 0 |                 |                 |                   |                   |                    |                    |
| CMVA529  | 12x12          | 252, 52<br>0, 0          | 252, 52<br>0, 0 | 252, 52<br>0, 0 |                 |                 |                   |                   |                    |                    |
| CMVB529  | 12x12          |                          |                 |                 |                 |                 | 100, 52<br>132, 4 | 100, 52<br>132, 4 |                    |                    |
| CMVE529  | 12x12          |                          |                 |                 | 188, 52<br>0, 4 | 188, 52<br>0, 4 |                   |                   |                    |                    |
| SBVC529  | 19x19          |                          |                 |                 |                 |                 | 120, 52<br>132, 0 | 120, 52<br>132, 0 |                    |                    |
| SBVD529  | 19x19          |                          |                 |                 | 210, 52<br>0, 4 | 210, 52<br>0, 4 |                   |                   |                    |                    |
| SBVB625  | 21x21          | 252, 52<br>0, 0          | 252, 52<br>0, 0 | 252, 52<br>0, 0 | 188, 52<br>0, 0 | 188, 52<br>0, 0 |                   |                   |                    |                    |
| SBVF784  | 23x23          |                          |                 |                 |                 |                 | 224, 52<br>132, 4 | 224, 52<br>132, 4 | 224, 52<br>132, 4  | 224, 52<br>132, 4  |
| SBVG784  | 23x23          |                          |                 |                 |                 |                 | 126, 52<br>132, 4 | 126, 52<br>132, 4 | 126, 104<br>132, 8 | 126, 104<br>132, 8 |
| SBVF900  | 25x25          |                          |                 |                 |                 |                 |                   |                   | 78, 104<br>132, 8  | 78, 104<br>132, 8  |
| SBVA1024 | 27x27          |                          |                 |                 |                 |                 | 294, 52<br>132, 4 | 294, 52<br>132, 4 | 294, 104<br>132, 8 | 294, 104<br>132, 8 |
| NBVA1089 | 31x31          |                          |                 |                 |                 |                 |                   |                   | 336, 104<br>132, 8 | 336, 104<br>132, 8 |

**Notes:**

1. Go to [Ordering Information](#) for package designation details.



## Artix UltraScale+ FPGA Feature Summary

Table 5: Artix UltraScale+ FPGA Feature Summary

|  | AU7P   | AU10P            | AU15P            | AU20P   | AU25P   |
|--|--------|------------------|------------------|---------|---------|
| System Logic Cells                                 | 81,900 | 96,250           | 170,100          | 238,437 | 308,437 |
| CLB Flip-Flops                                     | 74,880 | 88,000           | 155,520          | 218,000 | 282,000 |
| CLB LUTs   | 37,440 | 44,000           | 77,760           | 109,000 | 141,000 |
| Max. Distributed RAM (Mb)                          | 1.1    | 1.0              | 2.5              | 3.2     | 4.7     |
| Block RAM Blocks                                   | 108    | 100              | 144              | 200     | 300     |
| Block RAM (Mb)                                     | 3.8    | 3.5              | 5.1              | 7.0     | 10.5    |
| UltraRAM Blocks                                    | –      | –                | –                | –       | –       |
| UltraRAM (Mb)                                      | –      | –                | –                | –       | –       |
| CMTs (1 MMCM and 2 PLLs)                           | 2      | 3                | 3                | 4       | 4       |
| Max. HP I/O <sup>(1)</sup>                         | 104    | 156              | 156              | 156     | 208     |
| Max. HD I/O <sup>(2)</sup>                         | 144    | 72               | 72               | 72      | 96      |
| DSP Slices   | 216    | 400              | 576              | 900     | 1,200   |
| System Monitor                                     | 1      | 1                | 1                | 1       | 1       |
| GTH Transceiver <sup>(3)</sup>                     | 4      | 12               | 12               | –       | –       |
| GTY Transceiver <sup>(3)</sup>                     | –      | –                | –                | 12      | 12      |
| Transceiver Fractional PLLs                        | 2      | 6                | 6                | 6       | 6       |
| PCIe4 (PCIe Gen3 x16) <sup>(4)</sup>               | –      | –                | –                | 1       | 1       |
| PCIe4C (PCIe Gen3 x16 / Gen4 x8) <sup>(4)(5)</sup> | 1      | 1 <sup>(6)</sup> | 1 <sup>(6)</sup> | –       | –       |

### Notes:

1. HP = High-performance I/O with support for I/O voltage from 1.0V to 1.8V.
2. HD = High-density I/O with support for I/O voltage from 1.2V to 3.3V.
3. GTH and GTY transceiver line rates are package limited: SFVB784, SBVB484, and UBVA368 to 12.5 Gb/s.
4. Supported PCIe configurations are determined by transceiver count.
5. This block operates in compatibility mode for 16.0 GT/s (Gen4) operation. Go to [PG213](#), *UltraScale+ Devices Integrated Block for PCI Express Product Guide*, for details on compatibility mode.
6. PCIe Gen4 is available in AU10P and AU15P in the FFVB676 package only.

## Artix UltraScale+ Device-Package Combinations and Maximum I/Os

Table 6: Artix UltraScale+ Device-Package Combinations and Maximum I/Os

| Package<br><sup>(1)(2)(3)</sup> | Package Dimensions<br>(mm) | AU7P                     | AU10P          | AU15P          | AU20P          | AU25P          |
|---------------------------------|----------------------------|--------------------------|----------------|----------------|----------------|----------------|
|                                 |                            | HD I/O, HP I/O, GTH, GTY |                |                |                |                |
| FCVA289                         | 9x9                        | 72, 58, 4, 0             |                |                |                |                |
| UBVA368                         | 11.5x9.5                   |                          | 24, 104, 8, 0  | 24, 104, 8, 0  |                |                |
| SBVB484                         | 19x19                      |                          | 48, 156, 12, 0 | 48, 156, 12, 0 |                |                |
| SBVC484                         | 19x19                      | 144, 104, 4, 0           |                |                |                |                |
| SFVB784                         | 23x23                      |                          |                |                | 72, 156, 0, 12 | 96, 208, 0, 12 |
| FFVB676                         | 27x27                      |                          | 72, 156, 12, 0 | 72, 156, 12, 0 | 72, 156, 0, 12 | 72, 208, 0, 12 |

### Notes:

1. Go to [Ordering Information](#) for package designation details.
2. FF packages have 1.0mm ball pitch. SB/SF packages have 0.8 mm ball pitch. UB packages have 0.5 mm ball pitch.
3. Packages with the same last letter and number sequence, e.g., B676, are footprint compatible with all other UltraScale architecture-based devices with the same sequence. The footprint compatible devices within this family are outlined. See the [UltraScale+ FPGAs Product Selection Guide](#) for details on inter-family migration.



## Kintex UltraScale FPGA Feature Summary

Table 7: Kintex UltraScale FPGA Feature Summary

|   | KU025 <sup>(1)</sup> | KU035   | KU040   | KU060   | KU085     | KU095     | KU115     |
|---|----------------------|---------|---------|---------|-----------|-----------|-----------|
| System Logic Cells                        | 318,150              | 444,343 | 530,250 | 725,550 | 1,088,325 | 1,176,000 | 1,451,100 |
| CLB Flip-Flops                            | 290,880              | 406,256 | 484,800 | 663,360 | 995,040   | 1,075,200 | 1,326,720 |
| CLB LUTs                                  | 145,440              | 203,128 | 242,400 | 331,680 | 497,520   | 537,600   | 663,360   |
| Maximum Distributed RAM (Mb)              | 4.1                  | 5.9     | 7.0     | 9.1     | 13.4      | 4.7       | 18.3      |
| Block RAM Blocks                          | 360                  | 540     | 600     | 1,080   | 1,620     | 1,680     | 2,160     |
| Block RAM (Mb)                            | 12.7                 | 19.0    | 21.1    | 38.0    | 56.9      | 59.1      | 75.9      |
| CMTs (1 MMCM, 2 PLLs)                     | 6                    | 10      | 10      | 12      | 22        | 16        | 24        |
| I/O DLLs                                  | 24                   | 40      | 40      | 48      | 56        | 64        | 64        |
| Maximum HP I/Os <sup>(2)</sup>            | 208                  | 416     | 416     | 520     | 572       | 650       | 676       |
| Maximum HR I/Os <sup>(3)</sup>            | 104                  | 104     | 104     | 104     | 104       | 52        | 156       |
| DSP Slices                                | 1,152                | 1,700   | 1,920   | 2,760   | 4,100     | 768       | 5,520     |
| System Monitor                            | 1                    | 1       | 1       | 1       | 2         | 1         | 2         |
| PCIe Gen3 x8 <sup>(4)</sup>               | 1                    | 2       | 3       | 3       | 4         | 4         | 6         |
| 150G Interlaken                           | 0                    | 0       | 0       | 0       | 0         | 2         | 0         |
| 100G Ethernet                             | 0                    | 0       | 0       | 0       | 0         | 2         | 0         |
| GTH 16.3 Gb/s Transceivers <sup>(5)</sup> | 12                   | 16      | 20      | 32      | 56        | 32        | 64        |
| GTY 16.3 Gb/s Transceivers <sup>(6)</sup> | 0                    | 0       | 0       | 0       | 0         | 32        | 0         |
| Transceiver Fractional PLLs               | 0                    | 0       | 0       | 0       | 0         | 16        | 0         |

### Notes:

1. Certain advanced configuration features are not supported in the KU025. Refer to the [Configuring FPGAs](#) section for details.
2. HP = High-performance I/O with support for I/O voltage from 1.0V to 1.8V.
3. HR = High-range I/O with support for I/O voltage from 1.2V to 3.3V.
4. Supported PCIe configurations are determined by transceiver count.
5. GTH transceivers in SF/FB packages support data rates up to 12.5 Gb/s. See [Table 8](#).
6. GTY transceivers in Kintex UltraScale devices support data rates up to 16.3 Gb/s. See [Table 8](#).



## Kintex UltraScale Device-Package Combinations and Maximum I/Os

Table 8: Kintex UltraScale Device-Package Combinations and Maximum I/Os

| Package<br>(1)(2)(3) | Package<br>Dimensions<br>(mm) | KU025          | KU035          | KU040          | KU060          | KU085          | KU095                 | KU115          |
|----------------------|-------------------------------|----------------|----------------|----------------|----------------|----------------|-----------------------|----------------|
|                      |                               | HR, HP<br>GTH  | HR, HP<br>GTH  | HR, HP<br>GTH  | HR, HP<br>GTH  | HR, HP<br>GTH  | HR, HP<br>GTH, GTY(4) | HR, HP<br>GTH  |
| SFVA784(5)           | 23x23                         |                | 104, 364<br>8  | 104, 364<br>8  |                |                |                       |                |
| FBVA676(5)           | 27x27                         |                | 104, 208<br>16 | 104, 208<br>16 |                |                |                       |                |
| FBVA900(5)           | 31x31                         |                | 104, 364<br>16 | 104, 364<br>16 |                |                |                       |                |
| FFVA1156             | 35x35                         | 104, 208<br>12 | 104, 416<br>16 | 104, 416<br>20 | 104, 416<br>28 |                | 52, 468<br>20, 8      |                |
| FFVA1517             | 40x40                         |                |                |                | 104, 520<br>32 |                |                       |                |
| FLVA1517             | 40x40                         |                |                |                |                | 104, 520<br>48 |                       | 104, 520<br>48 |
| FFVC1517             | 40x40                         |                |                |                |                |                | 52, 468<br>20, 20     |                |
| FLVD1517             | 40x40                         |                |                |                |                |                |                       | 104, 234<br>64 |
| FFVB1760             | 42.5x42.5                     |                |                |                |                |                | 52, 650<br>32, 16     |                |
| FLVB1760             | 42.5x42.5                     |                |                |                |                | 104, 572<br>44 |                       | 104, 598<br>52 |
| FLVD1924             | 45x45                         |                |                |                |                |                |                       | 156, 676<br>52 |
| FLVF1924             | 45x45                         |                |                |                |                | 104, 520<br>56 |                       | 104, 624<br>64 |
| FLVA2104             | 47.5x47.5                     |                |                |                |                |                |                       | 156, 676<br>52 |
| FFVB2104             | 47.5x47.5                     |                |                |                |                |                | 52, 650<br>32, 32     |                |
| FLVB2104             | 47.5x47.5                     |                |                |                |                |                |                       | 104, 598<br>64 |

### Notes:

1. Go to [Ordering Information](#) for package designation details.
2. FB/FF/FL packages have 1.0mm ball pitch. SF packages have 0.8 mm ball pitch.
3. Packages with the same last letter and number sequence, e.g., A2104, are footprint compatible with all other UltraScale architecture-based devices with the same sequence. The footprint compatible devices within this family are outlined. See the [UltraScale+ FPGA Product Selection Guide](#) for details on inter-family migration.
4. GTY transceivers in Kintex UltraScale devices support data rates up to 16.3 Gb/s.
5. GTH transceivers in SF/FB packages support data rates up to 12.5 Gb/s.



## Kintex UltraScale+ FPGA Feature Summary

Table 9: Kintex UltraScale+ FPGA Feature Summary

|  | KU3P    | KU5P    | KU9P    | KU11P            | KU13P   | KU15P            | KU19P            |
|--|---------|---------|---------|------------------|---------|------------------|------------------|
| System Logic Cells                                 | 355,950 | 474,600 | 599,550 | 653,100          | 746,550 | 1,143,450        | 1,842,750        |
| CLB Flip-Flops                                     | 325,440 | 433,920 | 548,160 | 597,120          | 682,560 | 1,045,440        | 1,684,800        |
| CLB LUTs   | 162,720 | 216,960 | 274,080 | 298,560          | 341,280 | 522,720          | 842,400          |
| Max. Distributed RAM (Mb)                          | 4.7     | 6.1     | 8.8     | 9.1              | 11.3    | 9.8              | 11.6             |
| Block RAM Blocks                                   | 360     | 480     | 912     | 600              | 744     | 984              | 1,728            |
| Block RAM (Mb)                                     | 12.7    | 16.9    | 32.1    | 21.1             | 26.2    | 34.6             | 60.8             |
| UltraRAM Blocks                                    | 48      | 64      | 0       | 80               | 112     | 128              | 288              |
| UltraRAM (Mb)                                      | 13.5    | 18.0    | 0       | 22.5             | 31.5    | 36.0             | 81.0             |
| CMTs (1 MMCM and 2 PLLs)                           | 4       | 4       | 4       | 8                | 4       | 11               | 9                |
| Max. HP I/O <sup>(1)</sup>                         | 208     | 208     | 208     | 416              | 208     | 572              | 468              |
| Max. HD I/O <sup>(2)</sup>                         | 96      | 96      | 96      | 96               | 96      | 96               | 72               |
| DSP Slices   | 1,368   | 1,824   | 2,520   | 2,928            | 3,528   | 1,968            | 1,080            |
| System Monitor                                     | 1       | 1       | 1       | 1                | 1       | 1                | 1                |
| GTH Transceiver 16.3 Gb/s                          | 0       | 0       | 28      | 32               | 28      | 44               | 0                |
| GTY Transceiver 32.75 Gb/s <sup>(3)</sup>          | 16      | 16      | 0       | 20               | 0       | 32               | 32               |
| Transceiver Fractional PLLs                        | 8       | 8       | 14      | 26               | 14      | 38               | 16               |
| PCIe4 (PCIe Gen3 x16) <sup>(4)</sup>               | 1       | 1       | 0       | 4 <sup>(4)</sup> | 0       | 5 <sup>(4)</sup> | 0                |
| PCIe4C (PCIe Gen3 x16 / Gen4 x8) <sup>(4)(5)</sup> | 0       | 0       | 0       | 0                | 0       | 0                | 3 <sup>(6)</sup> |
| 150G Interlaken                                    | 0       | 0       | 0       | 1                | 0       | 4                | 0                |
| 100G Ethernet w/RS-FEC                             | 0       | 1       | 0       | 2                | 0       | 4                | 1                |

### Notes:

1. HP = High-performance I/O with support for I/O voltage from 1.0V to 1.8V.
2. HD = High-density I/O with support for I/O voltage from 1.2V to 3.3V.
3. GTY transceiver line rates are package limited: SFVB784 to 12.5 Gb/s; FFVA676, FFVD900, and FFVA1156 to 16.3 Gb/s. See [Table 10](#).
4. Supported PCIe configurations are determined by transceiver count.
5. This block operates in compatibility mode for 16.0 GT/s (Gen4) operation. Go to [PG213](#), *UltraScale+ Devices Integrated Block for PCI Express Product Guide*, for details on compatibility mode.
6. KU19P does not have an integrated block for PCIe with necessary features to support Tandem Configuration.



## Kintex UltraScale+ Device-Package Combinations and Maximum I/Os

Table 10: Kintex UltraScale+ Device-Package Combinations and Maximum I/Os

| Package<br>(1)(2)(4)    | Package<br>Dimensions<br>(mm) | KU3P               | KU5P               | KU9P               | KU11P              | KU13P              | KU15P              | KU19P              |
|-------------------------|-------------------------------|--------------------|--------------------|--------------------|--------------------|--------------------|--------------------|--------------------|
|                         |                               | HD, HP<br>GTH, GTY | HD, HP<br>GTH, GTY | HD, HP<br>GTH, GTY | HD, HP<br>GTH, GTY | HD, HP<br>GTH, GTY | HD, HP<br>GTH, GTY | HD, HP<br>GTH, GTY |
| SFVB784 <sup>(3)</sup>  | 23x23                         | 96, 208<br>0, 16   | 96, 208<br>0, 16   |                    |                    |                    |                    |                    |
| FFVA676 <sup>(3)</sup>  | 27x27                         | 48, 208<br>0, 16   | 48, 208<br>0, 16   |                    |                    |                    |                    |                    |
| FFVB676                 | 27x27                         | 72, 208<br>0, 16   | 72, 208<br>0, 16   |                    |                    |                    |                    |                    |
| FFVD900 <sup>(3)</sup>  | 31x31                         | 96, 208<br>0, 16   | 96, 208<br>0, 16   |                    | 96, 312<br>16, 0   |                    |                    |                    |
| FFVE900                 | 31x31                         |                    |                    | 96, 208<br>28, 0   |                    | 96, 208<br>28, 0   |                    |                    |
| FFVA1156 <sup>(3)</sup> | 35x35                         |                    |                    |                    | 48, 416<br>20, 8   |                    | 48, 468<br>20, 8   |                    |
| FFVE1517                | 40x40                         |                    |                    |                    | 96, 416<br>32, 20  |                    | 96, 416<br>32, 24  |                    |
| FFVA1760                | 42.5x42.5                     |                    |                    |                    |                    |                    | 96, 416<br>44, 32  |                    |
| FFVE1760                | 42.5x42.5                     |                    |                    |                    |                    |                    | 96, 572<br>32, 24  |                    |
| FFVJ1760                | 42.5x42.5                     |                    |                    |                    |                    |                    |                    | 72, 468<br>0, 32   |
| FFVB2104                | 47.5x47.5                     |                    |                    |                    |                    |                    |                    | 72, 468<br>0, 32   |

### Notes:

1. Go to [Ordering Information](#) for package designation details.
2. FF packages have 1.0 mm ball pitch. SF packages have 0.8 mm ball pitch.
3. GTY transceiver line rates are package limited: SFVB784 to 12.5 Gb/s; FFVA676, FFVD900, and FFVA1156 to 16.3 Gb/s.
4. Packages with the same last letter and number sequence, e.g., A676, are footprint compatible with all other UltraScale architecture-based devices with the same sequence. The footprint compatible devices within this family are outlined. See the [UltraScale+ FPGA Product Selection Guide](#) for details on inter-family migration.



## Kintex UltraScale+ Gen 2 FPGA Feature Summary

Table 11: Kintex UltraScale+ Gen 2 FPGA Feature Summary

|                                | 2KU030P | 2KU040P | 2KU050P |
|--------------------------------|---------|---------|---------|
| System Logic Cells             | 327,600 | 409,500 | 491,400 |
| CLB Flip-Flops                 | 299,520 | 374,400 | 449,280 |
| CLB LUTs                       | 149,760 | 187,200 | 224,640 |
| Max. Distributed RAM (Mb)      | 4.1     | 5.1     | 6.2     |
| Block RAM Blocks               | 336     | 420     | 504     |
| Block RAM (Mb)                 | 11.8    | 14.8    | 17.7    |
| UltraRAM Blocks                | 64      | 80      | 96      |
| UltraRAM (Mb)                  | 18.0    | 22.5    | 27.0    |
| Memory Controller              | 4       | 6       | 6       |
| CMTs (1 MMCM and 2 PLLs)       | 4       | 6       | 6       |
| Max. XP5IO <sup>(1)</sup>      | 264     | 396     | 396     |
| Max. HPIO <sup>(2)</sup>       | 0       | 0       | 0       |
| Max. HDIO <sup>(3)</sup>       | 78      | 78      | 120     |
| DSP Slices                     | 1,248   | 1,560   | 1,872   |
| Platform Management Controller | 1       | 1       | 1       |
| GTY Transceiver                | 16      | 16      | 24      |
| Transceiver Fractional PLLs    | 8       | 8       | 12      |
| PCIE4CE <sup>(4)</sup>         | 2       | 2       | 3       |
| 100G Ethernet w/RS-FEC         | 2       | 2       | 2       |

### Notes:

1. XP5IO = High-density I/O with support for I/O voltage from 1.2V to 1.5V.
2. HP = High-performance I/O with support for I/O voltage from 1.0V to 1.8V.
3. HD = High-density I/O with support for I/O voltage from 1.2V to 3.3V.
4. Supported PCIe configurations are determined by transceiver count.

Table 12: Kintex UltraScale+ Gen 2 Device-Package Combinations and Maximum I/Os

| Package<br><sup>(1)(2)(3)</sup> | Package<br>Dimensions<br>(mm) | 2KU030P                  | 2KU040P                  | 2KU050P                  |
|---------------------------------|-------------------------------|--------------------------|--------------------------|--------------------------|
|                                 |                               | HDIO, HPIO<br>XP5IO, GTY | HDIO, HPIO<br>XP5IO, GTY | HDIO, HPIO<br>XP5IO, GTY |
| SBVF900                         | 25x25                         | 78, 0                    | 78, 0                    | 78, 0                    |
|                                 |                               | 198, 12                  | 198, 12                  | 198, 12                  |
| SBVB1024                        | 27x27                         | 78, 0                    | 78, 0                    | 78, 0                    |
|                                 |                               | 198, 16                  | 198, 16                  | 198, 16                  |
| NSVN1369                        | 35x35                         | 78, 0                    | 78, 0                    | 120, 0                   |
|                                 |                               | 264, 16                  | 396, 16                  | 396, 24                  |

### Notes:

1. Go to [Ordering Information](#) for package designation details.
2. SB packages have 0.8 mm ball pitch. NS packages have 0.92 mm ball pitch.
3. Packages with the same last letter and number sequence, e.g., A676, are footprint compatible with all other UltraScale architecture-based devices with the same sequence. The footprint compatible devices within this family are outlined. See the [UltraScale+ FPGA Product Selection Guide](#) for details on inter-family migration.



## Virtex UltraScale FPGA Feature Summary

Table 13: Virtex UltraScale FPGA Feature Summary

|                                | <b>VU065</b> | <b>VU080</b> | <b>VU095</b> | <b>VU125</b> | <b>VU160</b> | <b>VU190</b> | <b>VU440</b> |
|--------------------------------|--------------|--------------|--------------|--------------|--------------|--------------|--------------|
| System Logic Cells             | 783,300      | 975,000      | 1,176,000    | 1,566,600    | 2,026,500    | 2,349,900    | 5,540,850    |
| CLB Flip-Flops                 | 716,160      | 891,424      | 1,075,200    | 1,432,320    | 1,852,800    | 2,148,480    | 5,065,920    |
| CLB LUTs                       | 358,080      | 445,712      | 537,600      | 716,160      | 926,400      | 1,074,240    | 2,532,960    |
| Maximum Distributed RAM (Mb)   | 4.8          | 3.9          | 4.8          | 9.7          | 12.7         | 14.5         | 28.7         |
| Block RAM Blocks               | 1,260        | 1,421        | 1,728        | 2,520        | 3,276        | 3,780        | 2,520        |
| Block RAM (Mb)                 | 44.3         | 50.0         | 60.8         | 88.6         | 115.2        | 132.9        | 88.6         |
| CMT (1 MMCM, 2 PLLs)           | 10           | 16           | 16           | 20           | 28           | 30           | 30           |
| I/O DLLs                       | 40           | 64           | 64           | 80           | 120          | 120          | 120          |
| Maximum HP I/Os <sup>(1)</sup> | 468          | 780          | 780          | 780          | 650          | 650          | 1,404        |
| Maximum HR I/Os <sup>(2)</sup> | 52           | 52           | 52           | 104          | 52           | 52           | 52           |
| DSP Slices                     | 600          | 672          | 768          | 1,200        | 1,560        | 1,800        | 2,880        |
| System Monitor                 | 1            | 1            | 1            | 2            | 3            | 3            | 3            |
| PCIe Gen3 x8                   | 2            | 4            | 4            | 4            | 4            | 6            | 6            |
| 150G Interlaken                | 3            | 6            | 6            | 6            | 8            | 9            | 0            |
| 100G Ethernet                  | 3            | 4            | 4            | 6            | 9            | 9            | 3            |
| GTH 16.3 Gb/s Transceivers     | 20           | 32           | 32           | 40           | 52           | 60           | 48           |
| GTY 30.5 Gb/s Transceivers     | 20           | 32           | 32           | 40           | 52           | 60           | 0            |
| Transceiver Fractional PLLs    | 10           | 16           | 16           | 20           | 26           | 30           | 0            |

### Notes:

1. HP = High-performance I/O with support for I/O voltage from 1.0V to 1.8V.
2. HR = High-range I/O with support for I/O voltage from 1.2V to 3.3V.



## Virtex UltraScale Device-Package Combinations and Maximum I/Os

Table 14: Virtex UltraScale Device-Package Combinations and Maximum I/Os

| Package <sup>(1)(2)(3)</sup> | Package Dimensions (mm) | VU065              | VU080              | VU095              | VU125              | VU160              | VU190              | VU440              |
|------------------------------|-------------------------|--------------------|--------------------|--------------------|--------------------|--------------------|--------------------|--------------------|
|                              |                         | HR, HP<br>GTH, GTY | HR, HP<br>GTH, GTY | HR, HP<br>GTH, GTY | HR, HP<br>GTH, GTY | HR, HP<br>GTH, GTY | HR, HP<br>GTH, GTY | HR, HP<br>GTH, GTY |
| FFVC1517                     | 40x40                   | 52, 468<br>20, 20  | 52, 468<br>20, 20  | 52, 468<br>20, 20  |                    |                    |                    |                    |
| FFVD1517                     | 40x40                   |                    | 52, 286<br>32, 32  | 52, 286<br>32, 32  |                    |                    |                    |                    |
| FLVD1517                     | 40x40                   |                    |                    |                    | 52, 286<br>40, 32  |                    |                    |                    |
| FFVB1760                     | 42.5x42.5               |                    | 52, 650<br>32, 16  | 52, 650<br>32, 16  |                    |                    |                    |                    |
| FLVB1760                     | 42.5x42.5               |                    |                    |                    | 52, 650<br>36, 16  |                    |                    |                    |
| FFVA2104                     | 47.5x47.5               |                    | 52, 780<br>28, 24  | 52, 780<br>28, 24  |                    |                    |                    |                    |
| FLVA2104                     | 47.5x47.5               |                    |                    |                    | 52, 780<br>28, 24  |                    |                    |                    |
| FFVB2104                     | 47.5x47.5               |                    | 52, 650<br>32, 32  | 52, 650<br>32, 32  |                    |                    |                    |                    |
| FLVB2104                     | 47.5x47.5               |                    |                    |                    | 52, 650<br>40, 36  |                    |                    |                    |
| FLGB2104                     | 47.5x47.5               |                    |                    |                    |                    | 52, 650<br>40, 36  | 52, 650<br>40, 36  |                    |
| FFVC2104                     | 47.5x47.5               |                    |                    | 52, 364<br>32, 32  |                    |                    |                    |                    |
| FLVC2104                     | 47.5x47.5               |                    |                    |                    | 52, 364<br>40, 40  |                    |                    |                    |
| FLGC2104                     | 47.5x47.5               |                    |                    |                    |                    | 52, 364<br>52, 52  | 52, 364<br>52, 52  |                    |
| FLGB2377                     | 50x50                   |                    |                    |                    |                    |                    |                    | 52, 1248<br>36, 0  |
| FLGA2577                     | 52.5x52.5               |                    |                    |                    |                    |                    | 0, 448<br>60, 60   |                    |
| FLGA2892                     | 55x55                   |                    |                    |                    |                    |                    |                    | 52, 1404<br>48, 0  |

### Notes:

1. Go to [Ordering Information](#) for package designation details.
2. All packages have 1.0 mm ball pitch.
3. Packages with the same last letter and number sequence, e.g., A2104, are footprint compatible with all other UltraScale architecture-based devices with the same sequence. The footprint compatible devices within this family are outlined. See the [UltraScale Architecture Product Selection Guide](#) for details on inter-family migration.

# Virtex UltraScale+ FPGA Feature Summary

Table 15: Virtex UltraScale+ FPGA Feature Summary

|  | VU3P    | VU5P      | VU7P      | VU9P      | VU11P     | VU13P     | VU19P     | VU23P     | VU27P     | VU29P     |
|--|---------|-----------|-----------|-----------|-----------|-----------|-----------|-----------|-----------|-----------|
| System Logic Cells                                 | 862,050 | 1,313,763 | 1,724,100 | 2,586,150 | 2,835,000 | 3,780,000 | 8,937,600 | 2,252,250 | 2,835,000 | 3,780,000 |
| CLB Flip-Flops                                     | 788,160 | 1,201,154 | 1,576,320 | 2,364,480 | 2,592,000 | 3,456,000 | 8,171,520 | 2,059,200 | 2,592,000 | 3,456,000 |
| CLB LUTs   | 394,080 | 600,577   | 788,160   | 1,182,240 | 1,296,000 | 1,728,000 | 4,085,760 | 1,029,600 | 1,296,000 | 1,728,000 |
| Max. Distributed RAM (Mb)                          | 12.0    | 18.3      | 24.1      | 36.1      | 36.2      | 48.3      | 58.4      | 14.2      | 36.2      | 48.3      |
| Block RAM Blocks                                   | 720     | 1,024     | 1,440     | 2,160     | 2,016     | 2,688     | 2,160     | 2,112     | 2,016     | 2,688     |
| Block RAM (Mb)                                     | 25.3    | 36.0      | 50.6      | 75.9      | 70.9      | 94.5      | 75.9      | 74.3      | 70.9      | 94.5      |
| UltraRAM Blocks                                    | 320     | 470       | 640       | 960       | 960       | 1,280     | 320       | 352       | 960       | 1,280     |
| UltraRAM (Mb)                                      | 90.0    | 132.2     | 180.0     | 270.0     | 270.0     | 360.0     | 90.0      | 99.0      | 270.0     | 360.0     |
| HBM DRAM (GB)                                      | -       | -         | -         | -         | -         | -         | -         | -         | -         | -         |
| CMTs (1 MMCM and 2 PLLs)                           | 10      | 20        | 20        | 30        | 12        | 16        | 40        | 11        | 16        | 16        |
| Max. HP I/O <sup>(1)</sup>                         | 520     | 832       | 832       | 832       | 624       | 832       | 1,976     | 572       | 676       | 676       |
| Max. HD I/O <sup>(2)</sup>                         | 0       | 0         | 0         | 0         | 0         | 0         | 96        | 72        | 0         | 0         |
| DSP Slices   | 2,280   | 3,474     | 4,560     | 6,840     | 9,216     | 12,288    | 3,840     | 1,320     | 9,216     | 12,288    |
| System Monitor                                     | 1       | 2         | 2         | 3         | 3         | 4         | 4         | 1         | 4         | 4         |
| GTY Transceivers 32.75 Gb/s <sup>(3)</sup>         | 40      | 80        | 80        | 120       | 96        | 128       | 80        | 34        | 32        | 32        |
| GTM Transceivers 58.0 Gb/s                         | 0       | 0         | 0         | 0         | 0         | 0         | 0         | 4         | 48        | 48        |
| 100G / 50G KP4 FEC                                 | 0       | 0         | 0         | 0         | 0         | 0         | 0         | 2/4       | 24/48     | 24/48     |
| Transceiver Fractional PLLs                        | 20      | 40        | 40        | 60        | 48        | 64        | 40        | 20        | 40        | 40        |
| PCIe4 (PCIe Gen3 x16) <sup>(4)</sup>               | 2       | 4         | 4         | 6         | 3         | 4         | 0         | 0         | 1         | 1         |
| PCIe4C (PCIe Gen3 x16 / Gen4 x8) <sup>(4)(5)</sup> | 0       | 0         | 0         | 0         | 0         | 0         | 8         | 4         | 0         | 0         |
| 150G Interlaken                                    | 3       | 4         | 6         | 9         | 6         | 8         | 0         | 0         | 8         | 8         |
| 100G Ethernet w/RS-FEC                             | 3       | 4         | 6         | 9         | 9         | 12        | 0         | 2         | 15        | 15        |

**Notes:**

1. HP = High-performance I/O with support for I/O voltage from 1.0V to 1.8V.
2. HD = High-density I/O with support for I/O voltage from 1.2V to 3.3V.
3. GTY transceivers in the FLGF1924 package support data rates up to 16.3 Gb/s. See [Table 16](#).
4. Supported PCIe configurations are determined by transceiver count.
5. This block operates in compatibility mode for 16.0 GT/s (Gen4) operation. Go to [PG213](#), *UltraScale+ Devices Integrated Block for PCI Express Product Guide*, for details on compatibility mode.

## Virtex UltraScale+ Device-Package Combinations and Maximum I/Os

Table 16: Virtex UltraScale+ Device-Package Combinations and Maximum I/Os

| Package<br>(1)(2)(3)(4)(5) | Package Dimensions<br>(mm) | VU3P    | VU5P    | VU7P    | VU9P     | VU11P   | VU13P    | VU19P        | VU23P                        | VU27P        | VU29P        |
|----------------------------|----------------------------|---------|---------|---------|----------|---------|----------|--------------|------------------------------|--------------|--------------|
|                            |                            | HP, GTY | HP, GTY | HP, GTY | HP, GTY  | HP, GTY | HP, GTY  | HP, HD, GTY  | HP, HD, GTY, GTM             | HP, GTY, GTM | HP, GTY, GTM |
| VSVA1365                   | 35x35                      |         |         |         |          |         |          |              | 364, 0, 34, <sup>(7)</sup> 4 |              |              |
| FFVC1517                   | 40x40                      | 520, 40 |         |         |          |         |          |              |                              |              |              |
| FSVJ1760                   | 42.5x42.5                  |         |         |         |          |         |          |              | 572, 72, 34, 4               |              |              |
| FLGF1924 <sup>(5)</sup>    | 45x45                      |         |         |         |          | 624, 64 |          |              |                              |              |              |
| FLVA2104                   | 47.5x47.5                  |         | 832, 52 | 832, 52 |          |         |          |              |                              |              |              |
| FLGA2104                   | 47.5x47.5                  |         |         |         | 832, 52  |         |          |              |                              |              |              |
| FHGA2104                   | 52.5x52.5 <sup>(6)</sup>   |         |         |         |          |         | 832, 52  |              |                              |              |              |
| FLVB2104                   | 47.5x47.5                  |         | 702, 76 | 702, 76 |          |         |          |              |                              |              |              |
| FLGB2104                   | 47.5x47.5                  |         |         |         | 702, 76  | 572, 76 |          |              |                              |              |              |
| FHGB2104                   | 52.5x52.5 <sup>(6)</sup>   |         |         |         |          |         | 702, 76  |              |                              |              |              |
| FLVC2104                   | 47.5x47.5                  |         | 416, 80 | 416, 80 |          |         |          |              |                              |              |              |
| FLGC2104                   | 47.5x47.5                  |         |         |         | 416, 104 | 416, 96 |          |              |                              |              |              |
| FHGC2104                   | 52.5x52.5 <sup>(6)</sup>   |         |         |         |          |         | 416, 104 |              |                              |              |              |
| FSGD2104                   | 47.5x47.5                  |         |         |         | 676, 76  | 572, 76 |          |              |                              |              |              |
| FIGD2104                   | 52.5x52.5 <sup>(6)</sup>   |         |         |         |          |         | 676, 76  |              |                              | 676, 16, 30  | 676, 16, 30  |
| FLGA2577                   | 52.5x52.5                  |         |         |         | 448, 120 | 448, 96 | 448, 128 |              |                              |              |              |
| FSGA2577                   | 52.5x52.5                  |         |         |         |          |         | 448, 128 |              |                              | 448, 32, 48  | 448, 32, 48  |
| FSVA3824                   | 65x65                      |         |         |         |          |         |          | 1976, 96, 48 |                              |              |              |
| FSVB3824                   | 65x65                      |         |         |         |          |         |          | 1664, 96, 80 |                              |              |              |

### Notes:

- Go to [Ordering Information](#) for package designation details.
- All packages have 1.0 mm ball pitch.
- Packages with the same last letter and number sequence, e.g., A2104, are footprint compatible with all other UltraScale architecture-based devices with the same sequence. The footprint compatible devices within this family are outlined. See the [UltraScale Architecture Product Selection Guide](#) for details on inter-family migration.
- Consult [UG583](#), *UltraScale Architecture PCB Design User Guide* for specific migration details.
- GTY transceivers in the FLGF1924 package support data rates up to 16.3 Gb/s.
- These 52.5x52.5 mm overhang packages have the same PCB ball footprint as the corresponding 47.5x47.5 mm packages (i.e., the same last letter and number sequence) and are footprint compatible.
- GTYs in quads 224-230 and 232 are limited to 16 Gb/s.



Table 17: Virtex UltraScale+ HBM FPGA Feature Summary

|  | VU31P   | VU33P   | VU35P     | VU37P     | VU45P     | VU47P     | VU57P     |
|--|---------|---------|-----------|-----------|-----------|-----------|-----------|
| System Logic Cells                                 | 961,800 | 961,800 | 1,906,800 | 2,851,800 | 1,906,800 | 2,851,800 | 2,851,800 |
| CLB Flip-Flops                                     | 879,360 | 879,360 | 1,743,360 | 2,607,360 | 1,743,360 | 2,607,360 | 2,607,360 |
| CLB LUTs   | 439,680 | 439,680 | 871,680   | 1,303,680 | 871,680   | 1,303,680 | 1,303,680 |
| Max. Distributed RAM (Mb)                          | 12.5    | 12.5    | 24.6      | 36.7      | 24.6      | 36.7      | 36.7      |
| Block RAM Blocks                                   | 672     | 672     | 1,344     | 2,016     | 1,344     | 2,016     | 2,016     |
| Block RAM (Mb)                                     | 23.6    | 23.6    | 47.3      | 70.9      | 47.3      | 70.9      | 70.9      |
| UltraRAM Blocks                                    | 320     | 320     | 640       | 960       | 640       | 960       | 960       |
| UltraRAM (Mb)                                      | 90.0    | 90.0    | 180.0     | 270.0     | 180.0     | 270.0     | 270.0     |
| HBM DRAM (GB)                                      | 4       | 8       | 8         | 8         | 16        | 16        | 16        |
| CMTs (1 MMCM and 2 PLLs)                           | 4       | 4       | 8         | 12        | 8         | 12        | 12        |
| Max. HP I/O <sup>(1)</sup>                         | 208     | 208     | 416       | 624       | 416       | 624       | 624       |
| DSP Slices   | 2,880   | 2,880   | 5,952     | 9,024     | 5,952     | 9,024     | 9,024     |
| System Monitor                                     | 1       | 1       | 2         | 3         | 2         | 3         | 3         |
| GTy Transceivers 32.75 Gb/s <sup>(2)</sup>         | 32      | 32      | 64        | 96        | 64        | 96        | 32        |
| GTM Transceivers 58.0 Gb/s                         | 0       | 0       | 0         | 0         | 0         | 0         | 32        |
| 100G / 50G KP4 FEC                                 | 0       | 0       | 0         | 0         | 0         | 0         | 16/32     |
| Transceiver Fractional PLLs                        | 16      | 16      | 32        | 48        | 32        | 48        | 32        |
| PCIe4 (PCIe Gen3 x16) <sup>(3)</sup>               | 0       | 0       | 1         | 2         | 1         | 2         | 0         |
| PCIe4C (PCIe Gen3 x16 / Gen4 x8) <sup>(3)(4)</sup> | 4       | 4       | 4         | 4         | 4         | 4         | 4         |
| 150G Interlaken                                    | –       | –       | 2         | 4         | 2         | 4         | 4         |
| 100G Ethernet w/RS-FEC                             | 2       | 2       | 5         | 8         | 5         | 8         | 10        |

**Notes:**

1. HP = High-performance I/O with support for I/O voltage from 1.0V to 1.8V.
2. GTy transceivers in the FLGF1924 package support data rates up to 16.3 Gb/s. See [Table 18](#).
3. Supported PCIe configurations are determined by transceiver count.
4. This block operates in compatibility mode for 16.0 GT/s (Gen4) operation. Go to [PG213](#), *UltraScale+ Devices Integrated Block for PCI Express Product Guide*, for details on compatibility mode.

## Virtex UltraScale+ HBM Device-Package Combinations and Maximum I/Os

Table 18: Virtex UltraScale+ HBM Device-Package Combinations and Maximum I/Os

| Package<br>(1)(2)(3)(4) | Package Dimensions<br>(mm) | VU31P   | VU33P   | VU35P   | VU37P   | VU45P   | VU47P   | VU57P        |
|-------------------------|----------------------------|---------|---------|---------|---------|---------|---------|--------------|
|                         |                            | HP, GTY | HP, GTY | HP, GTY | HP, GTY | HP, GTY | HP, GTY | HP, GTY, GTM |
| FSVH1924                | 45x45                      | 208, 32 |         |         |         |         |         |              |
| FSVH2104                | 47.5x47.5                  |         | 208, 32 | 416, 64 |         | 416, 64 |         |              |
| FSVH2892                | 55x55                      |         |         | 416, 64 | 624, 96 | 416, 64 | 624, 96 |              |
| FSVK2892                | 55x55                      |         |         |         |         |         |         | 624, 32, 32  |

**Notes:**

1. Go to [Ordering Information](#) for package designation details.
2. All packages have 1.0 mm ball pitch.
3. Packages with the same last letter and number sequence, e.g., A2104, are footprint compatible with all other UltraScale architecture-based devices with the same sequence. The footprint compatible devices within this family are outlined. See the [UltraScale Architecture Product Selection Guide](#) for details on inter-family migration.
4. Consult [UG583](#), *UltraScale Architecture PCB Design User Guide* for specific migration details.

# Zynq UltraScale+ MPSoC: CG Device Feature Summary

Table 19: Zynq UltraScale+ MPSoC: CG Device Feature Summary

|  | ZU1CG  | ZU2CG   | ZU3CG   | ZU3TCG  | ZU4CG   | ZU5CG   | ZU6CG   | ZU7CG   | ZU9CG   |
|--|--|---------|---------|---------|---------|---------|---------|---------|---------|
| Application Processing Unit                        | Dual-core Arm Cortex-A53 MPCore with CoreSight; NEON & Single/Double Precision Floating Point; 32 KB/32 KB L1 Cache, 1 MB L2 Cache |         |         |         |         |         |         |         |         |
| Real-Time Processing Unit                          | Dual-core Arm Cortex-R5F with CoreSight; Single/Double Precision Floating Point; 32 KB/32 KB L1 Cache, and TCM                     |         |         |         |         |         |         |         |         |
| Embedded and External Memory                       | 256 KB On-Chip Memory w/ECC; External DDR4; DDR3; DDR3L; LPDDR4; LPDDR3; External Quad-SPI; NAND; eMMC                             |         |         |         |         |         |         |         |         |
| General Connectivity                               | 214 PS I/O; UART; CAN; USB 2.0; I2C; SPI; 32b GPIO; Real Time Clock; WatchDog Timers; Triple Timer Counters                        |         |         |         |         |         |         |         |         |
| High-Speed Connectivity                            | 4 PS-GTR; PCIe Gen1/2; Serial ATA 3.1; DisplayPort 1.2a; USB 3.0; SGMII  |         |         |         |         |         |         |         |         |
| System Logic Cells                                 | 81,900   | 103,320 | 154,350 | 157,500 | 192,150 | 256,200 | 469,446 | 504,000 | 599,550 |
| CLB Flip-Flops                                     | 74,880   | 94,464  | 141,120 | 144,000 | 175,680 | 234,240 | 429,208 | 460,800 | 548,160 |
| CLB LUTs   | 37,440   | 47,232  | 70,560  | 72,000  | 87,840  | 117,120 | 214,604 | 230,400 | 274,080 |
| Distributed RAM (Mb)                               | 1.0  | 1.2     | 1.8     | 2.1     | 2.6     | 3.5     | 6.9     | 6.2     | 8.8     |
| Block RAM Blocks                                   | 108  | 150     | 216     | 144     | 128     | 144     | 714     | 312     | 912     |
| Block RAM (Mb)                                     | 3.8  | 5.3     | 7.6     | 5.1     | 4.5     | 5.1     | 25.1    | 11.0    | 32.1    |
| UltraRAM Blocks                                    | 0  | 0       | 0       | 48      | 48      | 64      | 0       | 96      | 0       |
| UltraRAM (Mb)                                      | 0  | 0       | 0       | 14.0    | 13.5    | 18.0    | 0       | 27.0    | 0       |
| DSP Slices   | 216  | 240     | 360     | 576     | 728     | 1,248   | 1,973   | 1,728   | 2,520   |
| CMTs   | 3  | 3       | 3       | 1       | 4       | 4       | 4       | 8       | 4       |
| Max. HP I/O <sup>(1)</sup>                         | 156  | 156     | 156     | 52      | 156     | 156     | 208     | 416     | 208     |
| Max. HD I/O <sup>(2)</sup>                         | 24   | 96      | 96      | 72      | 96      | 96      | 120     | 48      | 120     |
| System Monitor                                     | 2  | 2       | 2       | 2       | 2       | 2       | 2       | 2       | 2       |
| GTH Transceiver <sup>(3)</sup>                     | -  | -       | -       | 8       | 16      | 16      | 24      | 24      | 24      |
| GTY Transceivers                                   | -  | -       | -       | -       | -       | -       | -       | -       | -       |
| Transceiver Fractional PLLs                        | 0  | 0       | 0       | 4       | 8       | 8       | 12      | 12      | 12      |
| PCIE4 (PCIe Gen3 x16) <sup>(4)</sup>               | -  | -       | -       | -       | 2       | 2       | -       | 2       | -       |
| PCIE4C (PCIe Gen3 x16 / Gen4 x8) <sup>(4)(5)</sup> | -  | -       | -       | 1       | -       | -       | -       | -       | -       |
| 150G Interlaken                                    | -  | -       | -       | -       | -       | -       | -       | -       | -       |
| 100G Ethernet w/ RS-FEC                            | -  | -       | -       | -       | -       | -       | -       | -       | -       |

**Notes:**

1. HP = High-performance I/O with support for I/O voltage from 1.0V to 1.8V.
2. HD = High-density I/O with support for I/O voltage from 1.2V to 3.3V.
3. GTH transceivers in the SFVC784, SFVD784, and SFVE784 package support data rates up to 12.5 Gb/s. See [Table 20](#).
4. Supported PCIe configurations are determined by transceiver count.
5. This block operates in compatibility mode for 16.0 GT/s (Gen4) operation. Go to [PG213](#), *UltraScale+ Devices Integrated Block for PCI Express Product Guide*, for details on compatibility mode.

## Zynq UltraScale+: CG Device-Package Combinations and Maximum I/Os

Table 20: Zynq UltraScale+ MPSoC: CG Device-Package Combinations and Maximum I/Os

| Package<br>(1)(2)(3)(4)(5) | Package<br>Dimensions<br>(mm) | ZU1CG              | ZU2CG              | ZU3CG              | ZU3TCG             | ZU4CG              | ZU5CG              | ZU6CG              | ZU7CG              | ZU9CG              |
|----------------------------|-------------------------------|--------------------|--------------------|--------------------|--------------------|--------------------|--------------------|--------------------|--------------------|--------------------|
|                            |                               | HD, HP<br>GTH, GTY | HD, HP<br>GTH, GTY | HD, HP<br>GTH, GTY | HD, HP<br>GTH, GTY | HD, HP<br>GTH, GTY | HD, HP<br>GTH, GTY | HD, HP<br>GTH, GTY | HD, HP<br>GTH, GTY | HD, HP<br>GTH, GTY |
| UBVA494 <sup>(6)</sup>     | 9.5x15                        | 24, 58<br>0, 0     |                    |                    |                    |                    |                    |                    |                    |                    |
| UBVA530 <sup>(6)</sup>     | 9.5x16                        |                    | 24, 58<br>0, 0     | 24, 58<br>0, 0     |                    |                    |                    |                    |                    |                    |
| SBVA484 <sup>(6)</sup>     | 19x19                         | 24, 58<br>0, 0     | 24, 58<br>0, 0     | 24, 58<br>0, 0     |                    |                    |                    |                    |                    |                    |
| SFVA625                    | 21x21                         | 24, 156<br>0, 0    | 24, 156<br>0, 0    | 24, 156<br>0, 0    |                    |                    |                    |                    |                    |                    |
| SFVC784 <sup>(7)</sup>     | 23x23                         | 24, 156<br>0, 0    | 96, 156<br>0, 0    | 96, 156<br>0, 0    | 72, 52<br>4, 0     | 96, 156<br>4, 0    | 96, 156<br>4, 0    |                    |                    |                    |
| SFVD784 <sup>(7)(8)</sup>  | 23x23                         |                    |                    |                    | 72, 52<br>8, 0     |                    |                    |                    |                    |                    |
| SFVE784 <sup>(7)(8)</sup>  | 23x23                         |                    |                    |                    |                    | 72, 58<br>8, 0     | 72, 58<br>8, 0     |                    |                    |                    |
| FBVB900                    | 31x31                         |                    |                    |                    |                    | 48, 156<br>16, 0   | 48, 156<br>16, 0   |                    | 48, 156<br>16, 0   |                    |
| FFVC900                    | 31x31                         |                    |                    |                    |                    |                    |                    | 48, 156<br>16, 0   |                    | 48, 156<br>16, 0   |
| FFVB1156                   | 35x35                         |                    |                    |                    |                    |                    |                    | 120, 208<br>24, 0  |                    | 120, 208<br>24, 0  |
| FFVC1156                   | 35x35                         |                    |                    |                    |                    |                    |                    |                    | 48, 312<br>20, 0   |                    |
| FFVF1517                   | 40x40                         |                    |                    |                    |                    |                    |                    |                    | 48, 416<br>24, 0   |                    |

### Notes:

- Go to [Ordering Information](#) for package designation details.
- FB/FF packages have 1.0 mm ball pitch. SB/SF packages have 0.8 mm ball pitch. UB packages have 0.5 mm ball pitch.
- All device package combinations bond out 4 PS-GTR transceivers.
- All device package combinations bond out 214 PS I/O except ZU1CG, ZU2CG, and ZU3CG in the UBVA494, UBVA530, SBVA484, and SFVA625 packages, which bond out 170 PS I/Os. Packages that bond out 170 PS I/O support DDR 32-bit only.
- Packages with the same last letter and number sequence, e.g., A484, are footprint compatible with all other UltraScale architecture-based devices with the same sequence. The footprint compatible devices within this family are outlined.
- All 58 HP I/O pins are powered by the same  $V_{CCO}$  supply.
- GTH transceivers in SFVC784, SFVD784, SFVE784 packages support data rates up to 12.5 Gb/s.
- Migration between D784 and E784 is supported. See [UG1075](#), *Zynq UltraScale+ Device Packaging and Pinouts Product Specification*.

# Zynq UltraScale+ MPSoC: EG Device Feature Summary

Table 21: Zynq UltraScale+ MPSoC: EG Device Feature Summary

|  | ZU1EG  | ZU2EG   | ZU3EG   | ZU3TEG  | ZU4EG   | ZU5EG   | ZU6EG   | ZU7EG   | ZU9EG   | ZU11EG  | ZU15EG  | ZU17EG  | ZU19EG    |
|--|--|---------|---------|---------|---------|---------|---------|---------|---------|---------|---------|---------|-----------|
| Application Processing Unit                        | Quad-core Arm Cortex-A53 MPCore with CoreSight; NEON & Single/Double Precision Floating Point; 32 KB/32 KB L1 Cache, 1 MB L2 Cache |         |         |         |         |         |         |         |         |         |         |         |           |
| Real-Time Processing Unit                          | Dual-core Arm Cortex-R5F with CoreSight; Single/Double Precision Floating Point; 32 KB/32 KB L1 Cache, and TCM                     |         |         |         |         |         |         |         |         |         |         |         |           |
| Embedded and External Memory                       | 256 KB On-Chip Memory w/ECC; External DDR4; DDR3; DDR3L; LPDDR4; LPDDR3; External Quad-SPI; NAND; eMMC                             |         |         |         |         |         |         |         |         |         |         |         |           |
| General Connectivity                               | 214 PS I/O; UART; CAN; USB 2.0; I2C; SPI; 32b GPIO; Real Time Clock; WatchDog Timers; Triple Timer Counters                        |         |         |         |         |         |         |         |         |         |         |         |           |
| High-Speed Connectivity                            | 4 PS-GTR; PCIe Gen1/2; Serial ATA 3.1; DisplayPort 1.2a; USB 3.0; SGMII  |         |         |         |         |         |         |         |         |         |         |         |           |
| Graphic Processing Unit                            | Arm Mali-400 MP2; 64 KB L2 Cache   |         |         |         |         |         |         |         |         |         |         |         |           |
| System Logic Cells                                 | 81,900   | 103,320 | 154,350 | 157,500 | 192,150 | 256,200 | 469,446 | 504,000 | 599,550 | 653,100 | 746,550 | 926,194 | 1,143,450 |
| CLB Flip-Flops                                     | 74,880   | 94,464  | 141,120 | 144,000 | 175,680 | 234,240 | 429,208 | 460,800 | 548,160 | 597,120 | 682,560 | 846,806 | 1,045,440 |
| CLB LUTs   | 37,440   | 47,232  | 70,560  | 72,000  | 87,840  | 117,120 | 214,604 | 230,400 | 274,080 | 298,560 | 341,280 | 423,403 | 522,720   |
| Distributed RAM (Mb)                               | 1.0  | 1.2     | 1.8     | 2.1     | 2.6     | 3.5     | 6.9     | 6.2     | 8.8     | 9.1     | 11.3    | 8.0     | 9.8       |
| Block RAM Blocks                                   | 108  | 150     | 216     | 144     | 128     | 144     | 714     | 312     | 912     | 600     | 744     | 796     | 984       |
| Block RAM (Mb)                                     | 3.8  | 5.3     | 7.6     | 5.1     | 4.5     | 5.1     | 25.1    | 11.0    | 32.1    | 21.1    | 26.2    | 28.0    | 34.6      |
| UltraRAM Blocks                                    | 0  | 0       | 0       | 48      | 48      | 64      | 0       | 96      | 0       | 80      | 112     | 102     | 128       |
| UltraRAM (Mb)                                      | 0  | 0       | 0       | 14.0    | 13.5    | 18.0    | 0       | 27.0    | 0       | 22.5    | 31.5    | 28.7    | 36.0      |
| DSP Slices   | 216  | 240     | 360     | 576     | 728     | 1,248   | 1,973   | 1,728   | 2,520   | 2,928   | 3,528   | 1,590   | 1,968     |
| CMTs   | 3  | 3       | 3       | 1       | 4       | 4       | 4       | 8       | 4       | 8       | 4       | 11      | 11        |
| Max. HP I/O <sup>(1)</sup>                         | 156  | 156     | 156     | 52      | 156     | 156     | 208     | 416     | 208     | 416     | 208     | 572     | 572       |
| Max. HD I/O <sup>(2)</sup>                         | 24   | 96      | 96      | 72      | 96      | 96      | 120     | 48      | 120     | 96      | 120     | 96      | 96        |
| System Monitor                                     | 2  | 2       | 2       | 2       | 2       | 2       | 2       | 2       | 2       | 2       | 2       | 2       | 2         |
| GTH Transceiver <sup>(3)</sup>                     | 0  | 0       | 0       | 8       | 16      | 16      | 24      | 24      | 24      | 32      | 24      | 44      | 44        |
| GTY Transceivers                                   | -  | -       | -       | -       | -       | -       | -       | -       | -       | 16      | -       | 28      | 28        |
| Transceiver Fractional PLLs                        | -  | -       | -       | 4       | 8       | 8       | 12      | 12      | 12      | 24      | 12      | 36      | 36        |
| PCIe4 (PCIe Gen3 x16) <sup>(4)</sup>               | -  | -       | -       | -       | 2       | 2       | -       | 2       | -       | 4       | -       | 4       | 5         |
| PCIe4C (PCIe Gen3 x16 / Gen4 x8) <sup>(4)(5)</sup> | -  | -       | -       | 1       | -       | -       | -       | -       | -       | -       | -       | -       | -         |
| 150G Interlaken                                    | -  | -       | -       | 1       | -       | -       | -       | -       | -       | 1       | -       | 2       | 4         |
| 100G Ethernet w/ RS-FEC                            | -  | -       | -       | -       | -       | -       | -       | -       | -       | 2       | -       | 2       | 4         |

**Notes:**

1. HP = High-performance I/O with support for I/O voltage from 1.0V to 1.8V.
2. HD = High-density I/O with support for I/O voltage from 1.2V to 3.3V.
3. GTH transceivers in the SFVC784, SFVD784, and SFVE784 packages support data rates up to 12.5 Gb/s. See [Table 22](#).
4. Supported PCIe configurations are determined by transceiver count.
5. This block operates in compatibility mode for 16.0 GT/s (Gen4) operation. Go to [PG213](#), *UltraScale+ Devices Integrated Block for PCI Express Product Guide*, for details on compatibility mode.

## Zynq UltraScale+ MPSoC: EG Device-Package Combinations and Maximum I/Os

Table 22: Zynq UltraScale+ MPSoC: EG Device-Package Combinations and Maximum I/Os

| Package<br>(1)(2)(3)(4)(5) | Package Dim.<br>(mm) | ZU1EG              | ZU2EG              | ZU3EG              | ZU3TEG             | ZU4EG              | ZU5EG              | ZU6EG              | ZU7EG              | ZU9EG              | ZU11EG             | ZU15EG             | ZU17EG             | ZU19EG             |
|----------------------------|----------------------|--------------------|--------------------|--------------------|--------------------|--------------------|--------------------|--------------------|--------------------|--------------------|--------------------|--------------------|--------------------|--------------------|
|                            |                      | HD, HP<br>GTH, GTY | HD, HP<br>GTH, GTY | HD, HP<br>GTH, GTY | HD, HP<br>GTH, GTY | HD, HP<br>GTH, GTY | HD, HP<br>GTH, GTY | HD, HP<br>GTH, GTY | HD, HP<br>GTH, GTY | HD, HP<br>GTH, GTY | HD, HP<br>GTH, GTY | HD, HP<br>GTH, GTY | HD, HP<br>GTH, GTY | HD, HP<br>GTH, GTY |
| UBVA494(6)                 | 9.5x15               | 24, 58<br>0, 0     |                    |                    |                    |                    |                    |                    |                    |                    |                    |                    |                    |                    |
| UBVA530(6)                 | 9.5x16               |                    | 24, 58<br>0, 0     | 24, 58<br>0, 0     |                    |                    |                    |                    |                    |                    |                    |                    |                    |                    |
| SBVA484(6)                 | 19x19                | 24, 58<br>0, 0     | 24, 58<br>0, 0     | 24, 58<br>0, 0     |                    |                    |                    |                    |                    |                    |                    |                    |                    |                    |
| SFVA625                    | 21x21                | 24, 156<br>0, 0    | 24, 156<br>0, 0    | 24, 156<br>0, 0    |                    |                    |                    |                    |                    |                    |                    |                    |                    |                    |
| SFVC784(7)                 | 23x23                | 24, 156<br>0, 0    | 96, 156<br>0, 0    | 96, 156<br>0, 0    | 72, 52<br>4, 0     | 96, 156<br>4, 0    | 96, 156<br>4, 0    |                    |                    |                    |                    |                    |                    |                    |
| SFVD784(7)(8)              | 23x23                |                    |                    |                    | 72, 52<br>8, 0     |                    |                    |                    |                    |                    |                    |                    |                    |                    |
| SFVE784(7)(8)              | 23x23                |                    |                    |                    |                    | 72, 58<br>8, 0     | 72, 58<br>8, 0     |                    |                    |                    |                    |                    |                    |                    |
| FBVB900                    | 31x31                |                    |                    |                    |                    | 48, 156<br>16, 0   | 48, 156<br>16, 0   |                    | 48, 156<br>16, 0   |                    |                    |                    |                    |                    |
| FFVC900                    | 31x31                |                    |                    |                    |                    |                    |                    | 48, 156<br>16, 0   |                    | 48, 156<br>16, 0   |                    | 48, 156<br>16, 0   |                    |                    |
| FFVB1156                   | 35x35                |                    |                    |                    |                    |                    |                    | 120, 208<br>24, 0  |                    | 120, 208<br>24, 0  |                    | 120, 208<br>24, 0  |                    |                    |
| FFVC1156                   | 35x35                |                    |                    |                    |                    |                    |                    |                    | 48, 312<br>20, 0   |                    | 48, 312<br>20, 0   |                    |                    |                    |
| FFVB1517                   | 40x40                |                    |                    |                    |                    |                    |                    |                    |                    |                    | 72, 416<br>16, 0   |                    | 72, 572<br>16, 0   | 72, 572<br>16, 0   |
| FFVF1517                   | 40x40                |                    |                    |                    |                    |                    |                    | 48, 416<br>24, 0   |                    |                    | 48, 416<br>32, 0   |                    |                    |                    |
| FFVC1760                   | 42.5x42.5            |                    |                    |                    |                    |                    |                    |                    |                    |                    | 96, 416<br>32, 16  |                    | 96, 416<br>32, 16  | 96, 416<br>32, 16  |
| FFVD1760                   | 42.5x42.5            |                    |                    |                    |                    |                    |                    |                    |                    |                    |                    |                    | 48, 260<br>44, 28  | 48, 260<br>44, 28  |
| FFVE1924                   | 45x45                |                    |                    |                    |                    |                    |                    |                    |                    |                    |                    |                    | 96, 572<br>44, 0   | 96, 572<br>44, 0   |

### Notes:

- Go to [Ordering Information](#) for package designation details.
- FB/FF packages have 1.0 mm ball pitch. SB/SF packages have 0.8mm ball pitch. UB packages have 0.5 mm ball pitch.
- All device package combinations bond out 4 PS-GTR transceivers.
- All device package combinations bond out 214 PS I/O except ZU1EG, ZU2EG, and ZU3EG in the UBVA494, UBVA530, SBVA484 and SFVA625 packages, which bond out 170 PS I/Os. Packages that bond out 170 PS I/O support DDR 32-bit only.
- Packages with the same last letter and number sequence, e.g., A484, are footprint compatible with all other UltraScale architecture-based devices with the same sequence. The footprint compatible devices within this family are outlined.
- All 58 HP I/O pins are powered by the same  $V_{CC0}$  supply.
- GTH transceivers in the SFVC784, SFVD784, SFVE784 packages support data rates up to 12.5 Gb/s.
- Migration between D784 and E784 is supported. See [UG1075](#), *Zynq UltraScale+ Device Packaging and Pinouts Product Specification*.



## Zynq UltraScale+ MPSoC: EV Device Feature Summary

Table 23: Zynq UltraScale+ MPSoC: EV Device Feature Summary

|  | ZU4EV  | ZU5EV   | ZU7EV   |
|--|--|---------|---------|
| Application Processing Unit              | Quad-core Arm Cortex-A53 MPCore with CoreSight; NEON & Single/Double Precision Floating Point; 32 KB/32 KB L1 Cache, 1 MB L2 Cache |         |         |
| Real-Time Processing Unit                | Dual-core Arm Cortex-R5F with CoreSight; Single/Double Precision Floating Point; 32 KB/32 KB L1 Cache, and TCM                     |         |         |
| Embedded and External Memory             | 256 KB On-Chip Memory w/ECC; External DDR4; DDR3; DDR3L; LPDDR4; LPDDR3; External Quad-SPI; NAND; eMMC                             |         |         |
| General Connectivity                     | 214 PS I/O; UART; CAN; USB 2.0; I2C; SPI; 32b GPIO; Real Time Clock; WatchDog Timers; Triple Timer Counters                        |         |         |
| High-Speed Connectivity                  | 4 PS-GTR; PCIe Gen1/2; Serial ATA 3.1; DisplayPort 1.2a; USB 3.0; SGMII  |         |         |
| Graphic Processing Unit                  | Arm Mali-400 MP2; 64 KB L2 Cache   |         |         |
| Video Codec                              | 1  | 1       | 1       |
| System Logic Cells                       | 192,150  | 256,200 | 504,000 |
| CLB Flip-Flops                           | 175,680  | 234,240 | 460,800 |
| CLB LUTs                                 | 87,840   | 117,120 | 230,400 |
| Distributed RAM (Mb)                     | 2.6  | 3.5     | 6.2     |
| Block RAM Blocks                         | 128  | 144     | 312     |
| Block RAM (Mb)                           | 4.5  | 5.1     | 11.0    |
| UltraRAM Blocks                          | 48   | 64      | 96      |
| UltraRAM (Mb)                            | 13.5   | 18.0    | 27.0    |
| DSP Slices                               | 728  | 1,248   | 1,728   |
| CMTs                                     | 4  | 4       | 8       |
| Max. HP I/O <sup>(1)</sup>               | 156  | 156     | 416     |
| Max. HD I/O <sup>(2)</sup>               | 96   | 96      | 48      |
| System Monitor                           | 2  | 2       | 2       |
| GTH Transceiver 16.3 Gb/s <sup>(3)</sup> | 16   | 16      | 24      |
| GTY Transceivers 32.75 Gb/s              | 0  | 0       | 0       |
| Transceiver Fractional PLLs              | 8  | 8       | 12      |
| PCIE4 (PCIe Gen3 x16) <sup>(4)</sup>     | 2  | 2       | 2       |
| 150G Interlaken                          | 0  | 0       | 0       |
| 100G Ethernet w/ RS-FEC                  | 0  | 0       | 0       |

### Notes:

1. HP = High-performance I/O with support for I/O voltage from 1.0V to 1.8V.
2. HD = High-density I/O with support for I/O voltage from 1.2V to 3.3V.
3. GTH transceivers in the SFVC784 and SFVE784 packages support data rates up to 12.5 Gb/s. See [Table 24](#).
4. Supported PCIe configurations are determined by transceiver count.



## Zynq UltraScale+: EV Device-Package Combinations and Maximum I/Os

Table 24: Zynq UltraScale+ MPSoC: EV Device-Package Combinations and Maximum I/Os

| Package<br>(1)(2)(3)(4) | Package<br>Dimensions<br>(mm) | ZU4EV              | ZU5EV              | ZU7EV              |
|-------------------------|-------------------------------|--------------------|--------------------|--------------------|
|                         |                               | HD, HP<br>GTH, GTY | HD, HP<br>GTH, GTY | HD, HP<br>GTH, GTY |
| SFVC784 <sup>(5)</sup>  | 23x23                         | 96, 156<br>4, 0    | 96, 156<br>4, 0    |                    |
| SFVE784 <sup>(5)</sup>  | 23x23                         | 72, 58<br>8, 0     | 72, 58<br>8, 0     |                    |
| FBVB900                 | 31x31                         | 48, 156<br>16, 0   | 48, 156<br>16, 0   | 48, 156<br>16, 0   |
| FFVC1156                | 35x35                         |                    |                    | 48, 312<br>20, 0   |
| FFVF1517                | 40x40                         |                    |                    | 48, 416<br>24, 0   |

### Notes:

1. Go to [Ordering Information](#) for package designation details.
2. FB/FF packages have 1.0 mm ball pitch. SF packages have 0.8 mm ball pitch.
3. All device package combinations bond out 4 PS-GTR transceivers.
4. Packages with the same last letter and number sequence, e.g., B900, are footprint compatible with all other UltraScale architecture-based devices with the same sequence. The footprint compatible devices within this family are outlined.
5. GTH transceivers in the SFVC784 and SFVE784 packages support data rates up to 12.5 Gb/s.

# Zynq UltraScale+ RFSoc: Device Feature Summary

Table 25: Zynq UltraScale+ RFSoc Feature Summary

|  |   | XCZU21DR | XCZU25DR | XCZU27DR | XCZU28DR | XCZU29DR | XCZU39DR | XCZU42DR | XCZU43DR | XCZU46DR | XCZU47DR | XCZU48DR | XCZU49DR |         |         |
|--|---|----------|----------|----------|----------|----------|----------|----------|----------|----------|----------|----------|----------|---------|---------|
| 12-bit RF-ADC w/ DDC                   | # of ADCs   | 0        | 8        | 8        | 8        | 16       | 16       | -        |          | -        | -        | -        | -        |         |         |
|  | Max Rate (GSPS)   | 0        | 4.096    | 4.096    | 4.096    | 2.058    | 2.220    | -        |          | -        | -        | -        | -        |         |         |
| 14-bit RF-ADC w/ DDC                   | # of ADCs   | -        | -        | -        | -        | -        | -        | 8        | 2        | 4        | 8        | 4        | 8        | 8       | 16      |
|  | Max Rate (GSPS)   | -        | -        | -        | -        | -        | -        | 2.5      | 5.0      | 5.0      | 2.5      | 5.0      | 5.0      | 5.0     | 2.5     |
| 14-bit RF-DAC w/ DUC                   | # of DACs   | 0        | 8        | 8        | 8        | 16       | 16       | 8        |          | 4        | 12       |          | 8        | 8       | 16      |
|  | Max Rate (GSPS)   | 0        | 6.554    | 6.554    | 6.554    | 6.554    | 6.554    | 9.85     |          | 9.85     | 9.85     |          | 9.85     | 9.85    | 9.85    |
| SD-FEC                                 |   | 8        | 0        | 0        | 8        | 0        | 0        | 0        |          | 0        | 8        |          | 0        | 8       | 0       |
| Application Processing Unit            | Quad-core Arm Cortex-A53 MPCore with CoreSight™; NEON and Single/Double Precision Floating Point; 32 KB/32 KB L1 Cache, 1 MB L2 Cache |          |          |          |          |          |          |          |          |          |          |          |          |         |         |
| Real-Time Processing Unit              | Dual-core Arm Cortex-R5F with CoreSight; Single/Double Precision Floating Point; 32 KB/32 KB L1 Cache, and TCM                        |          |          |          |          |          |          |          |          |          |          |          |          |         |         |
| Embedded and External Memory           | 256 KB On-Chip Memory w/ECC; External DDR4; DDR3; DDR3L; LPDDR4; LPDDR3; External Quad-SPI; NAND; eMMC                                |          |          |          |          |          |          |          |          |          |          |          |          |         |         |
| General Connectivity                   | 214 PS I/O; UART; CAN; USB 2.0; I2C; SPI; 32b GPIO; Real Time Clock; Watchdog Timers; Triple Timer Counters                           |          |          |          |          |          |          |          |          |          |          |          |          |         |         |
| High-Speed Connectivity                | 4 PS-GTR; PCIe® Gen1/2; Serial ATA 3.1; DisplayPort 1.2a; USB 3.0; SGMII  |          |          |          |          |          |          |          |          |          |          |          |          |         |         |
| System Logic Cells                     | 930,300   | 678,318  | 930,300  | 930,300  | 930,300  | 930,300  | 930,300  | 489,300  | 930,300  | 930,300  | 930,300  | 930,300  | 930,300  | 930,300 | 930,300 |
| CLB Flip-Flops                         | 850,560   | 620,176  | 850,560  | 850,560  | 850,560  | 850,560  | 850,560  | 447,360  | 850,560  | 850,560  | 850,560  | 850,560  | 850,560  | 850,560 | 850,560 |
| CLB LUTs                               | 425,280   | 310,088  | 425,280  | 425,280  | 425,280  | 425,280  | 425,280  | 223,680  | 425,280  | 425,280  | 425,280  | 425,280  | 425,280  | 425,280 | 425,280 |
| Distributed RAM (Mb)                   | 13.0  | 9.6      | 13.0     | 13.0     | 13.0     | 13.0     | 13.0     | 6.8      | 13.0     | 13.0     | 13.0     | 13.0     | 13.0     | 13.0    | 13.0    |
| Block RAM Blocks                       | 1,080   | 792      | 1,080    | 1,080    | 1,080    | 1,080    | 1,080    | 648      | 1,080    | 1,080    | 1,080    | 1,080    | 1,080    | 1,080   | 1,080   |
| Block RAM (Mb)                         | 38.0  | 27.8     | 38.0     | 38.0     | 38.0     | 38.0     | 38.0     | 22.8     | 38.0     | 38.0     | 38.0     | 38.0     | 38.0     | 38.0    | 38.0    |
| UltraRAM Blocks                        | 80  | 48       | 80       | 80       | 80       | 80       | 80       | 160      | 80       | 80       | 80       | 80       | 80       | 80      | 80      |
| UltraRAM (Mb)                          | 22.5  | 13.5     | 22.5     | 22.5     | 22.5     | 22.5     | 22.5     | 45.0     | 22.5     | 22.5     | 22.5     | 22.5     | 22.5     | 22.5    | 22.5    |
| DSP Slices                             | 4,272   | 3,145    | 4,272    | 4,272    | 4,272    | 4,272    | 4,272    | 1,872    | 4,272    | 4,272    | 4,272    | 4,272    | 4,272    | 4,272   | 4,272   |
| CMTs                                   | 8   | 6        | 8        | 8        | 8        | 8        | 8        | 5        | 8        | 8        | 8        | 8        | 8        | 8       | 8       |
| Maximum HP I/O                         | 208   | 299      | 299      | 299      | 299      | 312      | 312      | 130      | 299      | 312      | 299      | 299      | 299      | 299     | 312     |
| Maximum HD I/O                         | 72  | 48       | 48       | 48       | 48       | 96       | 96       | 24       | 48       | 48       | 48       | 48       | 48       | 48      | 96      |
| System Monitor                         | 2   | 2        | 2        | 2        | 2        | 2        | 2        | 2        | 2        | 2        | 2        | 2        | 2        | 2       | 2       |
| GTY Transceivers                       | 16  | 8        | 16       | 16       | 16       | 16       | 16       | 8        | 16       | 16       | 16       | 16       | 16       | 16      | 16      |
| Fractional PLLs                        | 8   | 4        | 8        | 8        | 8        | 8        | 8        | 4        | 8        | 8        | 8        | 8        | 8        | 8       | 8       |
| PCIe Gen3 x16                          | 2   | 1        | 2        | 2        | 2        | 2        | 2        | -        | -        | -        | -        | -        | -        | -       | -       |
| PCIe Gen3 x16 / Gen4 x8 <sup>(1)</sup> | -   | -        | -        | -        | -        | -        | -        | 0        | 2        | 2        | 2        | 2        | 2        | 2       | 2       |
| 150G Interlaken                        | 1   | 1        | 1        | 1        | 1        | 1        | 1        | 0        | 1        | 1        | 1        | 1        | 1        | 1       | 1       |
| 100G Ethernet w/ RS-FEC                | 2   | 1        | 2        | 2        | 2        | 2        | 2        | 1        | 2        | 2        | 2        | 2        | 2        | 2       | 2       |

**Notes:**

1. This block operates in compatibility mode for 16.0GT/s (Gen4) operation. Go to [PG213](#), *UltraScale+ Devices Integrated Block for PCI Express Product Guide*, for details on compatibility mode.

Table 26: Zynq UltraScale+ RFSoc Device-Package Combinations and Maximum I/Os

| Package <sup>(1)</sup> | Dim. (mm) | ZU21DR   | ZU25DR                         | ZU27DR                          | ZU28DR                          | ZU29DR | ZU39DR                            | ZU42DR                            | ZU43DR                          | ZU46DR | ZU47DR  | ZU48DR                          | ZU49DR                            |
|------------------------|-----------|--|--------------------------------|---------------------------------|---------------------------------|--------|-----------------------------------|-----------------------------------|---------------------------------|--------|---|---------------------------------|-----------------------------------|
|                        |           | PSIO<br>HDIO, HPPIO<br>PS-GTR, GTY<br>RF-ADC, RF-DAC |                                |                                 |                                 |        |                                   |                                   |                                 |        |   |                                 |                                   |
| FFVD1156               | 35x35     | 214<br>72, 208<br>4, 16<br>0, 0                      |                                |                                 |                                 |        |                                   |                                   |                                 |        |   |                                 |                                   |
| FFVE1156               | 35x35     |  | 214<br>48, 104<br>4, 8<br>8, 8 | 214<br>48, 104<br>4, 8<br>8, 8  | 214<br>48, 104<br>4, 8<br>8, 8  |        |                                   | 214<br>24, 130<br>4, 8<br>10, 8   | 214<br>48, 104<br>4, 8<br>4, 4  |        | 214<br>48, 104<br>4, 8<br>8, 8                    | 214<br>48, 104<br>4, 8<br>8, 8  |                                   |
| FSVE1156               | 35x35     |  | 214<br>48, 104<br>4, 8<br>8, 8 | 214<br>48, 104<br>4, 8<br>8, 8  | 214<br>48, 104<br>4, 8<br>8, 8  |        |                                   | 214<br>24, 130<br>4, 8<br>10, 8   | 214<br>48, 104<br>4, 8<br>4, 4  |        | 214<br>48, 104<br>4, 8<br>8, 8                    | 214<br>48, 104<br>4, 8<br>8, 8  |                                   |
| FFVG1517               | 40x40     |  | 214<br>48, 299<br>4, 8<br>8, 8 | 214<br>48, 299<br>4, 16<br>8, 8 | 214<br>48, 299<br>4, 16<br>8, 8 |        |                                   |                                   | 214<br>48, 299<br>4, 16<br>4, 4 |        | 214<br>48, 299<br>4, 16<br>8, 8                   | 214<br>48, 299<br>4, 16<br>8, 8 |                                   |
| FSVG1517               | 40x40     |  | 214<br>48, 299<br>4, 8<br>8, 8 | 214<br>48, 299<br>4, 16<br>8, 8 | 214<br>48, 299<br>4, 16<br>8, 8 |        |                                   |                                   | 214<br>48, 299<br>4, 16<br>4, 4 |        | 214<br>48, 299<br>4, 16<br>8, 8                   | 214<br>48, 299<br>4, 16<br>8, 8 |                                   |
| FFVF1760               | 42.5x42.5 |  |                                |                                 |                                 |        | 214<br>96, 312<br>4, 16<br>16, 16 | 214<br>96, 312<br>4, 16<br>16, 16 |                                 |        |   |                                 | 214<br>96, 312<br>4, 16<br>16, 16 |
| FSVF1760               | 42.5x42.5 |  |                                |                                 |                                 |        | 214<br>96, 312<br>4, 16<br>16, 16 | 214<br>96, 312<br>4, 16<br>16, 16 |                                 |        |   |                                 | 214<br>96, 312<br>4, 16<br>16, 16 |
| FFVH1760               | 42.5x42.5 |  |                                |                                 |                                 |        |                                   |                                   |                                 |        | 214<br>48, 312<br>4, 16<br>12 <sup>(2)</sup> , 12 |                                 |                                   |
| FSVH1760               | 42.5x42.5 |  |                                |                                 |                                 |        |                                   |                                   |                                 |        | 214<br>48, 312<br>4, 16<br>12 <sup>(2)</sup> , 12 |                                 |                                   |

**Notes:**

1. Packages with the same last letter and number sequence, e.g., B900, are footprint compatible with all other UltraScale architecture-based devices with the same sequence. The footprint compatible devices within this family are outlined.
2. Of these 12 RF-ADCs, 8 can operate up to 2.5 GSPS and 4 can operate up to 5.0 GSPS.



Table 27: Zynq UltraScale+ RFSoc Feature Summary

|                              |                 | XCZU63DR  |     | XCZU64DR |     | XCZU65DR        |      | XCZU67DR        |  |
|------------------------------|-----------------|---|-----|----------|-----|-----------------|------|-----------------|--|
| 14-bit RF-ADC w/ DDC         | # of ADCs       | 4   | 2   | 8        | 2   | 6               | 8    | 2               |  |
|                              | Max Rate (GSPS) | 2.95  | 5.9 | 2.95     | 5.9 | 5.9             | 2.95 | 5.9             |  |
| 14-bit RF-DAC w/ DUC         | # of DACs       | 4   |     | 8        |     | 6               | 8    |                 |  |
|                              | Max Rate (GSPS) | 10.0  |     | 10.0     |     | 10.0            | 10.0 |                 |  |
| SD-FEC                       |                 | 0   |     | 0        |     | 0               | 0    |                 |  |
| Digital Front End            |                 | Channel Filter, DUC/DDC, Mixer, CFR, Complex Equalizer, PQ, Resampler, DPD  |     |          |     |                 |      |                 |  |
| Low PHY IP                   |                 | FFT/iFFT, PRACH   |     | -        |     | FFT/iFFT, PRACH |      | FFT/iFFT, PRACH |  |
| Application Processing Unit  |                 | Quad-core Arm Cortex-A53 MPCore with CoreSight™; NEON and Single/Double Precision Floating Point; 32 KB/32 KB L1 Cache, 1 MB L2 Cache |     |          |     |                 |      |                 |  |
| Real-Time Processing Unit    |                 | Dual-core Arm Cortex-R5F with CoreSight; Single/Double Precision Floating Point; 32 KB/32 KB L1 Cache, and TCM                        |     |          |     |                 |      |                 |  |
| Embedded and External Memory |                 | 256 KB On-Chip Memory w/ECC; External DDR4; DDR3; DDR3L; LPDDR4; LPDDR3; External Quad-SPI; NAND; eMMC                                |     |          |     |                 |      |                 |  |
| General Connectivity         |                 | 214 PS I/O; UART; CAN; USB 2.0; I2C; SPI; 32b GPIO; Real Time Clock; Watchdog Timers; Triple Timer Counters                           |     |          |     |                 |      |                 |  |
| High-Speed Connectivity      |                 | 4 PS-GTR; PCIe® Gen1/2; Serial ATA 3.1; DisplayPort 1.2a; USB 3.0; SGMII  |     |          |     |                 |      |                 |  |
| System Logic Cells           |                 | 393,750   |     | 328,125  |     | 489,300         |      | 489,300         |  |
| CLB Flip-Flops               |                 | 360,000   |     | 300,000  |     | 447,360         |      | 447,360         |  |
| CLB LUTs                     |                 | 180,000   |     | 150,000  |     | 223,680         |      | 223,680         |  |
| Distributed RAM (Mb)         |                 | 5.4   |     | 4.5      |     | 6.9             |      | 6.9             |  |
| Block RAM Blocks             |                 | 500   |     | 450      |     | 648             |      | 648             |  |
| Block RAM (Mb)               |                 | 17.6  |     | 15.8     |     | 22.8            |      | 22.8            |  |
| UltraRAM Blocks              |                 | 130   |     | 80       |     | 160             |      | 160             |  |
| UltraRAM (Mb)                |                 | 37.0  |     | 23.0     |     | 45.0            |      | 45.0            |  |
| DSP Slices                   |                 | 1,200   |     | 1,872    |     | 1,872           |      | 1,872           |  |
| CMTs                         |                 | 5   |     | 5        |     | 5               |      | 5               |  |
| Maximum HP I/O               |                 | 130   |     | 130      |     | 130             |      | 130             |  |
| Maximum HD I/O               |                 | 24  |     | 24       |     | 24              |      | 24              |  |
| System Monitor               |                 | 2   |     | 2        |     | 2               |      | 2               |  |
| GTY Transceivers             |                 | 4   |     | 8        |     | 8               |      | 8               |  |
| Fractional PLLs              |                 | 4   |     | 4        |     | 4               |      | 4               |  |
| 100G Ethernet w/ RS-FEC      |                 | 1   |     | 1        |     | 1               |      | 1               |  |

Table 28: Zynq UltraScale+ RFSoc Device-Package Combinations and Maximum I/Os

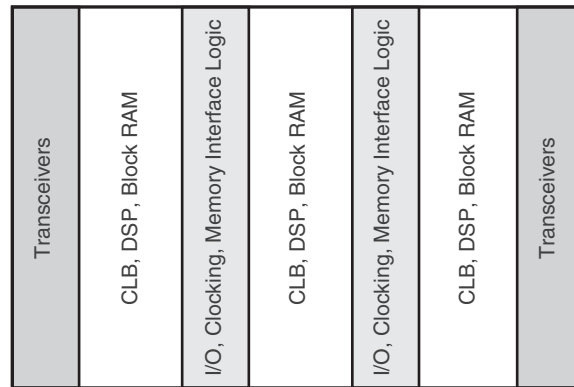
| Package<br>(1) | Dim.<br>(mm) | ZU63DR  | ZU64DR                          | ZU65DR                         | ZU67DR                          |
|----------------|--------------|---|---------------------------------|--------------------------------|---------------------------------|
|                |              | PSIO<br>HDIO, HPIO<br>PS-GTR, GTY<br>RF-ADC, RF-DAC |                                 |                                |                                 |
| FFVE1156       | 35x35        | 214<br>24, 130<br>4, 4<br>6, 4                      | 214<br>24, 130<br>4, 8<br>10, 8 | 214<br>24, 130<br>4, 8<br>6, 6 | 214<br>24, 130<br>4, 8<br>10, 8 |
| FSVE1156       | 35x35        | 214<br>24, 130<br>4, 4<br>6, 4                      | 214<br>24, 130<br>4, 8<br>10, 8 | 214<br>24, 130<br>4, 8<br>6, 6 | 214<br>24, 130<br>4, 8<br>10, 8 |

**Notes:**

1. Packages with the same last letter and number sequence, e.g., B900, are footprint compatible with all other UltraScale architecture-based devices with the same sequence. The footprint compatible devices within this family are outlined.

## Device Layout

UltraScale devices are arranged in a column-and-grid layout. Columns of resources are combined in different ratios to provide the optimum capability for the device density, target market or application, and device cost. At the core of Zynq UltraScale+ MPSoCs and RFSocS is the processing system that displaces some of the full or partial columns of programmable logic resources. [Figure 1](#) shows a device-level view with resources grouped together. For simplicity, certain resources such as the processing system, integrated blocks for PCIe, configuration logic, and System Monitor are not shown.



DS890\_01\_101712

**Figure 1: FPGA with Columnar Resources**

Resources within the device are divided into segmented clock regions. The height of a clock region is 60 CLBs. A bank of 52 I/Os, 24 DSP slices, 12 block RAMs, 8 UltraRAMs, or 4 transceiver channels also matches the height of a clock region. The width of a clock region is essentially the same in all cases, regardless of device size or the mix of resources in the region, enabling repeatable timing results. Each segmented clock region contains vertical and horizontal clock routing that span its full height and width. These horizontal and vertical clock routes can be segmented at the clock region boundary to provide a flexible, high-performance, low-power clock distribution architecture. [Figure 2](#) is a representation of an FPGA divided into regions.



DS890\_02\_121014

**Figure 2: Column-Based FPGA Divided into Clock Regions**

---

## RF Data Converter Subsystem

Zynq UltraScale+ RFSocS contain an RF data converter subsystem consisting of multiple RF-ADCs and RF-DACs.

### RF-ADCs

The RF-ADCs can be configured individually for real input signals. RF-ADCs in all devices other than the XCZU43DR can also be configured as a pair for I/Q input signals. The RF-ADC tile has one PLL and a clocking instance. Decimation filters in the RF-ADCs can operate in varying decimation modes at 80% of Nyquist bandwidth with 89dB stop-band attenuation. Each RF-ADC contains a 48-bit numerically controlled oscillator (NCO) and a dedicated high-speed, high-performance, differential input buffer with on-chip calibrated 100Ω termination.

### RF-DACs

The RF-DACs can be configured individually for real outputs. RF-DACs in all devices other than the XCZU43DR can also be configured as a pair for I/Q output signal generation. The RF-DAC tile has one PLL and a clocking instance. Interpolation filters in the RF-DACs can operate in varying interpolation modes at 80% of Nyquist bandwidth with 89dB stop-band attenuation. Each RF-DAC contains a 48-bit NCO.

---

## Soft Decision Forward Error Correction (SD-FEC)

Some members of the Zynq UltraScale+ RFSoc family contain integrated SD-FEC blocks capable of encoding and decoding using LDPC codes and decoding using Turbo codes.

### LDPC Decoding/Encoding

A range of quasi-cyclic codes can be configured over an AXI4-Lite interface. Code parameter memory can be shared across up to 128 codes. Codes can be selected on a block-by-block basis with the encoder able to reuse suitable decoder codes. The SD-FEC uses a normalized min-sum decoding algorithm with a normalization factor programmable from 0.0625 to 1 in increments of 0.0625. There can be between 1 and 63 iterations for each codeword. Early termination is specified for each codeword to be none, one, or both of the following:

- Parity check passes
- No change in hard information or parity bits since last operation

Soft or hard outputs are specified for each codeword to include information and optional parity with 6-bit soft log-likelihood ratio (LLR) on inputs and 8-bit LLR on outputs.



## Turbo Decoding

In Turbo mode, the SD-FEC can use the Max, Max Scale, or Max Star algorithms. When using the Max Scale algorithm, the scale factor is programmable from 0.0625 to 1 in increments of 0.0625. There can be between 1 and 63 iterations for each codeword, specified using the AXI4-Stream control interface. Early termination is specified for each codeword to be none, one, or both of the following:

- CRC passes
- No change in hard decision since last iteration

Soft or hard outputs are specified for each codeword to include systematic and optionally parity 0 and parity 1 with 8-bit soft LLR on inputs and outputs.

## Processing System (PS)

Zynq UltraScale+ MPSoCs and RFSocS consist of a PS coupled with programmable logic. The contents of the PS varies between the different Zynq UltraScale+ devices. All devices contain an APU, an RPU, and many peripherals for connecting the multiple processing engines to external components. The EG and EV devices contain a GPU and the EV devices contain a video codec unit (VCU). The components of the PS are connected together and to the PL through a multi-layered Arm AMBA AXI non-blocking interconnect that supports multiple simultaneous master-slave transactions. Traffic through the interconnect can be regulated by the quality of service (QoS) block in the interconnect. Twelve dedicated AXI 32-bit, 64-bit, or 128-bit ports connect the PL to high-speed interconnect and DDR in the PS via a FIFO interface.

There are four independently controllable power domains: the PL plus three within the PS (full power, lower power, and battery power domains). Additionally, many peripherals support clock gating and power gating to further reduce dynamic and static power consumption.

### Application Processing Unit (APU)

The APU has a feature-rich dual-core or quad-core Arm Cortex-A53 processor. Cortex-A53 cores are 32-bit/64-bit application processors based on Arm-v8A architecture, offering the best performance-to-power ratio. The Armv8 architecture supports hardware virtualization. Each of the Cortex-A53 cores has: 32 KB of instruction and data L1 caches, with parity and ECC protection respectively; a NEON SIMD engine; and a single and double precision floating point unit. In addition to these blocks, the APU consists of a snoop control unit and a 1 MB L2 cache with ECC protection to enhance system-level performance. The snoop control unit keeps the L1 caches coherent thus eliminating the need of spending software bandwidth for coherency. The APU also has a built-in interrupt controller supporting virtual interrupts. The APU communicates to the rest of the PS through 128-bit AXI coherent extension (ACE) port via Cache Coherent Interconnect (CCI) block, using the System Memory Management Unit (SMMU). The APU is also connected to the programmable logic (PL), through the 128-bit accelerator coherency port (ACP), providing a low latency coherent port for accelerators in the PL. To support real-time debug and trace, each core also has an Embedded Trace Macrocell (ETM) that communicates with the Arm CoreSight™ Debug System.

### Real-Time Processing Unit (RPU)

The RPU in the PS contains a dual-core Arm Cortex-R5F PS. Cortex-R5F cores are 32-bit real-time processor cores based on Arm-v7R architecture. Each of the Cortex-R5F cores has 32 KB of level-1 (L1) instruction and data cache with ECC protection. In addition to the L1 caches, each of the Cortex-R5F cores also has a 128 KB tightly coupled memory (TCM) interface for real-time single cycle access. The RPU also has a dedicated interrupt controller. The RPU can operate in either split or lock-step mode. In split mode, both processors run independently of each other. In lock-step mode, they run in parallel with each other, with integrated comparator logic, and the TCMs are used as 256 KB unified memory. The RPU communicates with the rest of the PS via the 128-bit AXI-4 ports connected to the low power domain switch. It also communicates directly with the PL through 128-bit low latency AXI-4 ports. To support real-time debug and trace each core also has an embedded trace macrocell (ETM) that communicates with the Arm CoreSight Debug System.



## External Memory

The PS can interface to many types of external memories through dedicated memory controllers. The dynamic memory controller supports DDR3, DDR3L, DDR4, LPDDR3, and LPDDR4 memories. The multi-protocol DDR memory controller can be configured to access a 2 GB address space in 32-bit addressing mode and up to 32 GB in 64-bit addressing mode using a single or dual rank configuration of 8-bit, 16-bit, or 32-bit DRAM memories. Both 32-bit and 64-bit bus access modes are protected by ECC using extra bits.

The SD/eMMC controller supports 1 and 4 bit data interfaces at low, default, high-speed, and ultra-high-speed (UHS) clock rates. This controller also supports 1-, 4-, or 8-bit-wide eMMC interfaces that are compliant to the eMMC 4.51 specification. eMMC is one of the primary boot and configuration modes for Zynq UltraScale+ MPSoCs and RFSocCs and supports boot from managed NAND devices. The controller has a built-in DMA for enhanced performance.

The Quad-SPI controller is one of the primary boot and configuration devices. It supports 4-byte and 3-byte addressing modes. In both addressing modes, single, dual-stacked, and dual-parallel configurations are supported. Single mode supports a quad serial NOR flash memory, while in double stacked and double parallel modes, it supports two quad serial NOR flash memories.

The NAND controller is based on ONFI3.1 specification. It has an 8-pin interface and provides 200 Mb/s of bandwidth in synchronous mode. It supports 24 bits of ECC thus enabling support for SLC NAND memories. It has two chip-selects to support deeper memory and a built-in DMA for enhanced performance.

## General Connectivity

There are many peripherals in the PS for connecting to external devices over industry standard protocols, including CAN2.0B, USB, Ethernet, I2C, and UART. Many of the peripherals support clock gating and power gating modes to reduce dynamic and static power consumption.

### **USB 3.0/2.0**

The pair of USB controllers can be configured as host, device, or On-The-Go (OTG). The core is compliant to USB 3.0 specification and supports super, high, full, and low speed modes in all configurations. In host mode, the USB controller is compliant with the Intel XHCI specification. In device mode, it supports up to 12 end points. While operating in USB 3.0 mode, the controller uses the serial transceiver and operates up to 5.0 Gb/s. In USB 2.0 mode, the Universal Low Peripheral Interface (ULPI) is used to connect the controller to an external PHY operating up to 480 Mb/s. The ULPI is also connected in USB 3.0 mode to support high-speed operations.

### **Ethernet MAC**

The four tri-speed Ethernet MACs support 10 Mb/s, 100 Mb/s, and 1 Gb/s operations. The MACs support jumbo frames and time stamping through the interfaces based on IEEE Std 1588v2. The Ethernet MACs can be connected through the serial transceivers (SGMII), the MIO (RGMII), or through EMIO (GMII). The GMII interface can be converted to a different interface within the PL.



## High-Speed Connectivity

The PS includes four PS-GTR transceivers (transmit and receive), supporting data rates up to 6.0 Gb/s and can interface to the peripherals for communication over PCIe, SATA, USB 3.0, SGMII, and DisplayPort™.

### *PCIe*

The integrated block for PCIe is compliant with PCI Express base specification 2.1 and supports x1, x2, and x4 configurations as root complex or end point, compliant to transaction ordering rules in both configurations. It has built-in DMA, supports one virtual channel and provides fully configurable base address registers.

### *SATA*

Users can connect up to two external devices using the two SATA host port interfaces compliant to the SATA 3.1 specification. The SATA interfaces can operate at 1.5 Gb/s, 3.0 Gb/s, or 6.0 Gb/s data rates and are compliant with advanced host controller interface (AHCI) version 1.3 supporting partial and slumber power modes.

### *DisplayPort*

The DisplayPort controller supports up to two lanes of source-only DisplayPort compliant with VESA DisplayPort v1.2a specification (source only) at 1.62 Gb/s, 2.7 Gb/s, and 5.4 Gb/s data rates. The controller supports single stream transport (SST); video resolution up to 4Kx2K at a 30 Hz frame rate; video formats Y-only, YCbCr444, YCbCr422, YCbCr420, RGB, YUV444, YUV422, xvYCC, and pixel color depth of 6, 8, 10, and 12 bits per color component.

## Graphics Processing Unit (GPU)

The dedicated Arm Mali-400 MP2 GPU in the PS supports 2D and 3D graphics acceleration up to 1080p resolution. The Mali-400 supports OpenGL ES 1.1 and 2.0 for 3D graphics and Open VG 1.1 standards for 2D vector graphics. It has a geometry processor (GP) and 2 pixel processors to perform tile rendering operations in parallel. It has dedicated Memory management units for GP and pixel processors, which supports 4 KB page size. The GPU also has 64 KB level-2 (L2) read-only cache. It supports 4X and 16X Full scene Anti-Aliasing (FSAA). It is fully autonomous, enabling maximum parallelization between APU and GPU. It has built-in hardware texture decompression, allowing the texture to remain compressed (in ETC format) in graphics hardware and decompress the required samples on the fly. It also supports efficient alpha blending of multiple layers in hardware without additional bandwidth consumption. It has a pixel fill rate of 2 Mpixel/sec/MHz and a triangle rate of 0.1 Mvertex/sec/MHz. The GPU supports extensive texture format for RGBA 8888, 565, and 1556 in Mono 8, 16, and YUV formats. For power sensitive applications, the GPU supports clock and power gating for each GP, pixel processors, and L2 cache. During power gating, GPU does not consume any static or dynamic power; during clock gating, it only consumes static power.

## Video Codec Unit (VCU)

The video codec unit (VCU) provides multi-standard video encoding and decoding capabilities, including: High Efficiency Video Coding (HEVC), i.e., H.265; and Advanced Video Coding (AVC), i.e., H.264 standards. The VCU is capable of simultaneous encode and decode at rates up to 4Kx2K at 60 frames per second (fps) (approx. 600 Mpixel/sec) or 8Kx4K at a reduced frame rate (~15 fps).

## Input/Output

All UltraScale devices, whether FPGA, MPSoC, or RFSocS, have I/O pins for communicating to external components. In addition, in the PS, there are another 78 I/Os that the I/O peripherals use to communicate to external components, referred to as multiplexed I/O (MIO). If more than 78 pins are required by the I/O peripherals, the I/O pins in the PL can be used to extend the MPSoC or RFSocS interfacing capability, referred to as extended MIO (EMIO).

The number of I/O pins in UltraScale FPGAs and in the programmable logic of Zynq UltraScale+ MPSoCs and RFSocS varies depending on device and package. Each I/O is configurable and can comply with a large number of I/O standards. The I/Os are classed as high-range (HR), high-performance (HP), or high-density (HD). The HR I/Os offer the widest range of voltage support, from 1.2V to 3.3V. The HP I/Os are optimized for highest performance operation, from 1.0V to 1.8V. The HD I/Os are reduced-feature I/Os organized in banks, providing voltage support from 1.2V to 3.3V. Kintex UltraScale+ Gen 2 FPGAs and some Spartan UltraScale+ FPGAs include an additional I/O type called XP5IO for very high-speed interfaces such as LPDDR4X, LPDDR5, LPDDR5X, and MIPI D-PHY.

All I/O pins are organized in banks, with 52 HP or HR pins per bank, or 24 or 42 HD pins per bank, or 66 XP5IO pins per bank. Each bank has one common  $V_{CCO}$  output buffer power supply, which also powers certain input buffers. In addition, HR banks can be split into two half-banks, each with their own  $V_{CCO}$  supply. Some single-ended input buffers require an internally generated or an externally applied reference voltage ( $V_{REF}$ ).  $V_{REF}$  pins can be driven directly from the PCB or internally generated using the internal  $V_{REF}$  generator circuitry present in each bank.

## I/O Electrical Characteristics

Single-ended outputs use a conventional CMOS push/pull output structure driving High towards  $V_{CCO}$  or Low towards ground, and can be put into a high-Z state. The system designer can specify the slew rate and the output strength. The input is always active but is usually ignored while the output is active. Each pin can optionally have a weak pull-up or a weak pull-down resistor.

Most signal pin pairs can be configured as differential input pairs or output pairs. Differential input pin pairs can optionally be terminated with a 100 $\Omega$  internal resistor. All UltraScale devices support differential standards beyond LVDS, including RSDS, BLVDS, differential SSTL, and differential HSTL. Each of the I/Os supports memory I/O standards, such as single-ended and differential HSTL as well as single-ended and differential SSTL. UltraScale+ families add support for MIPI with a dedicated D-PHY in the I/O bank.

### ***3-State Digitally Controlled Impedance and Low Power I/O Features***

The 3-state Digitally Controlled Impedance (T\_DCI) can control the output drive impedance (series termination) or can provide parallel termination of an input signal to  $V_{CCO}$  or split (Thevenin) termination to  $V_{CCO}/2$ . This allows users to eliminate off-chip termination for signals using T\_DCI. In addition to board space savings, the termination automatically turns off when in output mode or when 3-stated, saving considerable power compared to off-chip termination. The I/Os also have low power modes for IBUF and IDELAY to provide further power savings, especially when used to implement memory interfaces.



## I/O Logic

### *Input and Output Delay*

All inputs and outputs can be configured as either combinatorial or registered. Double data rate (DDR) is supported by all inputs and outputs. Any input or output can be individually delayed by up to 1,250 ps of delay with a resolution of 5–15 ps. Such delays are implemented as IDELAY and ODELAY. The number of delay steps can be set by configuration and can also be incremented or decremented while in use. The IDELAY and ODELAY can be cascaded together to double the amount of delay in a single direction.

### *ISERDES and OSERDES*

Many applications combine high-speed, bit-serial I/O with slower parallel operation inside the device. This requires a serializer and deserializer (SerDes) inside the I/O logic. Each I/O pin possesses an IOSERDES (ISERDES and OSERDES) capable of performing serial-to-parallel or parallel-to-serial conversions with programmable widths of 2, 4, or 8 bits. These I/O logic features enable high-performance interfaces, such as Gigabit Ethernet/1000BaseX/SGMII, to be moved from the transceivers to the SelectIO interface.



## High-Speed Serial Transceivers

Serial data transmission between devices on the same PCB, over backplanes, and across even longer distances is becoming increasingly important for scaling to 100 Gb/s and 400 Gb/s line cards. Specialized dedicated on-chip circuitry and differential I/O capable of coping with the signal integrity issues are required at these high data rates.

Four types of transceivers are used in the UltraScale architecture: GTH, GTY, and GTM in FPGAs, GTH and GTY in the PL in MPSoCs and RFSocS, and PS-GTR in the PS of MPSoCs and RFSocS. All transceivers are arranged in groups of four, known as a transceiver Quad. Each serial transceiver is a combined transmitter and receiver. [Table 29](#) compares the available transceivers.

**Table 29: Transceiver Information**

|                       | Spartan UltraScale+ |  | Artix UltraScale+ |      | Kintex UltraScale |      | Kintex UltraScale+ |       | Kintex UltraScale+ Gen 2 | Virtex UltraScale |      | Virtex UltraScale+ |      | Zynq UltraScale+ MPSoCs and RFSocS |      |       |
|-----------------------|---------------------|--|-------------------|------|-------------------|------|--------------------|-------|--------------------------|-------------------|------|--------------------|------|------------------------------------|------|-------|
| Type                  | GTH                 |  | GTH               | GTY  | GTH               | GTY  | GTH                | GTY   | GTY                      | GTH               | GTY  | GTY                | GTM  | PS-GTR                             | GTH  | GTY   |
| Max. Data Rate (Gb/s) | 16.3                |  | 16.3              | 16.3 | 16.3              | 16.3 | 16.3               | 32.75 | 32.75                    | 16.3              | 30.5 | 32.75              | 58.0 | 6.0                                | 16.3 | 32.75 |
| Min. Data Rate (Gb/s) | 0.5                 |  | 0.5               | 0.5  | 0.5               | 0.5  | 0.5                | 0.5   | 0.5                      | 0.5               | 0.5  | 0.5                | 9.8  | 1.25                               | 0.5  | 0.5   |



## GTH/GTY Transceivers

The serial transmitter and receiver are independent circuits that use an advanced phase-locked loop (PLL) architecture to multiply the reference frequency input by certain programmable numbers between 4 and 25 to become the bit-serial data clock. Each transceiver has a large number of user-definable features and parameters. All of these can be defined during device configuration, and many can also be modified during operation.

### ***Transmitter (GTH/GTY)***

The transmitter is fundamentally a parallel-to-serial converter with a conversion ratio of 16, 20, 32, 40, 64, or 80 for the GTH and 16, 20, 32, 40, 64, 80, 128, or 160 for the GTY. This allows the designer to trade off datapath width against timing margin in high-performance designs. These transmitter outputs drive the PC board with a single-channel differential output signal. TXOUTCLK is the appropriately divided serial data clock and can be used directly to register the parallel data coming from the internal logic. The incoming parallel data is fed through an optional FIFO and has additional hardware support for the 8B/10B, 64B/66B, or 64B/67B encoding schemes to provide a sufficient number of transitions. The bit-serial output signal drives two package pins with differential signals. This output signal pair has programmable signal swing as well as programmable pre- and post-emphasis to compensate for PC board losses and other interconnect characteristics. For shorter channels, the swing can be reduced to reduce power consumption.

### ***Receiver (GTH/GTY)***

The receiver is fundamentally a serial-to-parallel converter, changing the incoming bit-serial differential signal into a parallel stream of words, each 16, 20, 32, 40, 64, or 80 bits in the GTH or 16, 20, 32, 40, 64, 80, 128, or 160 for the GTY. This allows the designer to trade off internal datapath width against logic timing margin. The receiver takes the incoming differential data stream, feeds it through programmable DC automatic gain control, linear and decision feedback equalizers (to compensate for PC board, cable, optical and other interconnect characteristics), and uses the reference clock input to initiate clock recognition. There is no need for a separate clock line. The data pattern uses non-return-to-zero (NRZ) encoding and optionally ensures sufficient data transitions by using the selected encoding scheme. Parallel data is then transferred into the device logic using the RXUSRCLK clock. For short channels, the transceivers offer a special low-power mode (LPM) to reduce power consumption by approximately 30%. The receiver DC automatic gain control and linear and decision feedback equalizers can optionally "auto-adapt" to automatically learn and compensate for different interconnect characteristics. This enables even more margin for 10G+ and 25G+ backplanes.

### ***Out-of-Band Signaling***

The transceivers provide out-of-band (OOB) signaling, often used to send low-speed signals from the transmitter to the receiver while high-speed serial data transmission is not active. This is typically done when the link is in a powered-down state or has not yet been initialized. This benefits PCIe and SATA/SAS and QPI applications.



## GTM Transceivers

The serial transmitter and receiver are independent circuits that use an advanced phase-locked loop (PLL) architecture to multiply the reference frequency input by certain programmable numbers between 16 and 160 to become the bit-serial data clock. Each transceiver has a large number of user-definable features and parameters. All of these can be defined during device configuration, and many can also be modified during operation.

### ***Transmitter (GTM)***

The transmitter is fundamentally a parallel-to-serial converter. These transmitter outputs drive pulse amplitude modulated signals with either 4 levels (PAM4) or 2 levels (NRZ) to the PC board with a single-channel differential output signal. TXOUTCLK is the appropriately divided serial data clock and can be used directly to register the parallel data coming from the internal logic. The incoming parallel data can optionally leverage a Reed-Solomon, RS(544,514) Forward Error Correction encoder, and/or 64b66b data encoder. The bit-serial output signal drives two package pins with PAM4 differential signals. This output signal pair has programmable signal swing as well as programmable pre- and post-emphasis to compensate for PC board losses and other interconnect characteristics. For shorter channels, the swing can be reduced to reduce power consumption.

### ***Receiver (GTM)***

The receiver is fundamentally a serial-to-parallel converter, changing the incoming PAM4 differential signal into a parallel stream of words. The receiver takes the incoming differential data stream, feeds it through automatic gain compensation (AGC) and a continuous time linear equalizer (CTLE), after which it is sampled with a high-speed analog to digital converter. Further equalization is completed digitally via a decision feedback equalizer (DFE) and feed forward equalizer (FFE) implemented in DSP logic before the recovered bits are parallelized and provided to the PCS. This equalization provides the flexibility to receive data over channels ranging from very short chip-to-chip to high loss backplane applications across all supported rates. Clock recovery circuitry generates a clock derived from the high-speed PLL to clock in serial data and provides an appropriately divided and phase-aligned clock, RXOUTCLK, to internal logic. Parallel data can optionally be transferred into an RS-FEC and/or 64b/66b decoder before being presented to the FPGA interface.

## Integrated Interface Blocks for PCI Express Designs

The UltraScale architecture uses three different integrated blocks for PCIe. The integrated block on UltraScale devices is compliant with the PCI Express Base Specification v3.1 and can operate with a lane width of up to x8 and a speed up to 8.0 GT/s (Gen3).

UltraScale+ devices use three types of integrated blocks: PCIe4, PCIe4C, and PCIe4CE. PCIe4 blocks are compliant to PCI Express Base Specification v3.1 and support up to Gen3 x16, and can also be configured for lower link width and speeds. The PCIe4 block does not support Gen4 operation.

Some devices, such as Virtex UltraScale+ HBM FPGAs, have only PCIe4C blocks or a combination of both PCIe4 and PCIe4C blocks.

PCIe4C blocks are compliant to the PCI Express Base Specification v3.1 supporting up to 8.0 GT/s (Gen3) and compatible with PCI Express Base Specification v4.0 supporting up to 16.0 GT/s (Gen4). PCIe4C blocks support up to 16 lanes at Gen3 or up to 8 lanes at Gen4 and can be configured for lower link widths and speeds to conserve resources and power.

PCIe4CE blocks are compliant to the PCI Express Base Specification v4.0 supporting up to 16.0 GT/s (Gen4). PCIe4CE blocks support up to 8 lanes at Gen3 or up to 8 lanes at Gen4 and can be configured for lower link widths and speeds to conserve resources and power.

All integrated blocks for PCIe in the UltraScale architecture can be configured as Endpoint or Root Port. The Root Port can be used to build the basis for a compatible Root Complex, to allow custom chip-to-chip communication via the PCI Express protocol, and to attach ASSP Endpoint devices, such as Ethernet Controllers or Fibre Channel HBAs, to the FPGA, MPSoC, or RFSoc.

The maximum lane widths and data rates per family are listed in [Table 30](#).

**Table 30: PCIe Maximum Configurations**

|                               | Spartan UltraScale+ | Artix UltraScale+ | Kintex UltraScale | Kintex UltraScale+ | Kintex UltraScale+ Gen 2 | Virtex UltraScale | Virtex UltraScale+ | Zynq UltraScale+ MPSoC | Zynq UltraScale+ RFSoc |
|-------------------------------|---------------------|-------------------|-------------------|--------------------|--------------------------|-------------------|--------------------|------------------------|------------------------|
| Gen1 (2.5 GT/s)               | x8                  | x8                | x8                | x16                | x16                      | x8                | x16                | x16                    | x16                    |
| Gen2 (5 GT/s)                 | x8                  | x8                | x8                | x16                | x16                      | x8                | x16                | x16                    | x16                    |
| Gen3 (8 GT/s)                 | x8                  | x8                | x8                | x16                | x16                      | x8                | x16                | x16                    | x16                    |
| Gen4 (16 GT/s) <sup>(1)</sup> | x8 <sup>(2)</sup>   | x8 <sup>(3)</sup> |                   | x8                 | x8                       |                   | x8                 |                        | x8                     |

**Notes:**

1. Transceivers in UltraScale+ devices support 16.0 GT/s. Soft PCIe IP is available from AMD partners.
2. Gen4 x8 is supported SU150P and SU200P.
3. PCIe Gen4 is available in AU10P and AU15P in the FFVB676 package.



For high-performance applications, advanced buffering techniques of the block offer a flexible maximum payload size of up to 1,024 bytes. The integrated block interfaces to the integrated high-speed transceivers for serial connectivity and to block RAMs for data buffering. Combined, these elements implement the Physical Layer, Data Link Layer, and Transaction Layer of the PCI Express protocol.

AMD provides LogiCORE™ IP options to configure the integrated blocks for PCIe in all UltraScale and UltraScale+ devices. This includes AXI Streaming interfaces at the PCIe packet level and more advanced IP such as AXI to PCIe Bridges and DMA engines. This IP gives the designer control over many configurable parameters such as link width and speed, maximum payload size, and reference clock frequency. For a complete list of features that can be configured for each of the IP, go to the specific Product Guide.

---

## Integrated Block for Interlaken

Some UltraScale architecture-based devices include integrated blocks for Interlaken. Interlaken is a scalable chip-to-chip interconnect protocol designed to enable transmission speeds from 10 Gb/s to 150 Gb/s. The Interlaken integrated block in the UltraScale architecture is compliant to revision 1.2 of the Interlaken specification with data striping and de-striping across 1 to 12 lanes. Permitted configurations are: 1 to 12 lanes at up to 12.5 Gb/s and 1 to 6 lanes at up to 25.78125 Gb/s, enabling flexible support for up to 150 Gb/s per integrated block. With multiple Interlaken blocks, certain UltraScale devices enable easy, reliable Interlaken switches and bridges.

---

## Integrated Block for 100G Ethernet

Compliant to the IEEE Std 802.3ba, the 100G Ethernet integrated blocks in the UltraScale architecture provide low latency 100 Gb/s Ethernet ports with a wide range of user customization and statistics gathering. With support for 10 x 10.3125 Gb/s (CAUI) and 4 x 25.78125 Gb/s (CAUI-4) configurations, the integrated block includes both the 100G MAC and PCS logic with support for IEEE Std 1588v2 1-step and 2-step hardware timestamping.

In UltraScale+ devices, the 100G Ethernet blocks contain a Reed Solomon Forward Error Correction (RS-FEC) block, compliant to IEEE Std 802.3bj, that can be used with the Ethernet block or stand alone in user applications. These families also support OTN mapping mode in which the PCS can be operated without using the MAC.

## Stacked Silicon Interconnect (SSI) Technology

Many challenges associated with creating high-capacity devices are addressed by AMD with the second generation of the pioneering 3D SSI technology. SSI technology enables multiple super-logic regions (SLRs) to be combined on a passive interposer layer, using proven manufacturing and assembly techniques from industry leaders, to create a single device with more than 20,000 low-power inter-SLR connections. Dedicated interface tiles within the SLRs provide ultra-high bandwidth, low latency connectivity to other SLRs. [Table 31](#) shows the number of SLRs in devices that use SSI technology and their dimensions.

**Table 31: UltraScale and UltraScale+ 3D IC SLR Count and Dimensions**

| Device                  | Kintex UltraScale |       | Virtex UltraScale |       |       |       | Virtex UltraScale+ |      |      |       |       |       |       |       |       |       |       |       |       |       |       |
|-------------------------|-------------------|-------|-------------------|-------|-------|-------|--------------------|------|------|-------|-------|-------|-------|-------|-------|-------|-------|-------|-------|-------|-------|
|                         | KU085             | KU115 | VU125             | VU160 | VU190 | VU440 | VU5P               | VU7P | VU9P | VU11P | VU13P | VU19P | VU27P | VU29P | VU31P | VU33P | VU35P | VU37P | VU45P | VU47P | VU57P |
| # SLRs                  | 2                 | 2     | 2                 | 3     | 3     | 3     | 2                  | 2    | 3    | 3     | 4     | 4     | 4     | 4     | 1     | 1     | 2     | 3     | 2     | 3     | 3     |
| SLR Width (in regions)  | 6                 | 6     | 6                 | 6     | 6     | 9     | 6                  | 6    | 6    | 8     | 8     | 9     | 8     | 8     | 8     | 8     | 8     | 8     | 8     | 8     | 8     |
| SLR Height (in regions) | 5                 | 5     | 5                 | 5     | 5     | 5     | 5                  | 5    | 5    | 4     | 4     | 5     | 4     | 4     | 4     | 4     | 4     | 4     | 4     | 4     | 4     |

## Clock Management

The clock generation and distribution components in UltraScale devices are located adjacent to the columns that contain the memory interface and input and output circuitry. This tight coupling of clocking and I/O provides low-latency clocking to the I/O for memory interfaces and other I/O protocols. Within every clock management tile (CMT) resides one mixed-mode clock manager (MMCM), two PLLs, clock distribution buffers and routing, and dedicated circuitry for implementing external memory interfaces.

### Mixed-Mode Clock Manager

The mixed-mode clock manager (MMCM) can serve as a frequency synthesizer for a wide range of frequencies and as a jitter filter for incoming clocks. At the center of the MMCM is a voltage-controlled oscillator (VCO), which speeds up and slows down depending on the input voltage it receives from the phase frequency detector (PFD).

There are three sets of programmable frequency dividers (D, M, and O) that are programmable by configuration and during normal operation via the Dynamic Reconfiguration Port (DRP). The pre-divider D reduces the input frequency and feeds one input of the phase/frequency comparator. The feedback divider M acts as a multiplier because it divides the VCO output frequency before feeding the other input of the phase comparator. D and M must be chosen appropriately to keep the VCO within its specified frequency range. The VCO has eight equally-spaced output phases (0°, 45°, 90°, 135°, 180°, 225°, 270°, and 315°). Each phase can be selected to drive one of the output dividers, and each divider is programmable by configuration to divide by any integer from 1 to 128.

The MMCM has three input-jitter filter options: low bandwidth, high bandwidth, or optimized mode. Low-Bandwidth mode has the best jitter attenuation. High-Bandwidth mode has the best phase offset. Optimized mode allows the tools to find the best setting.

The MMCM can have a fractional counter in either the feedback path (acting as a multiplier) or in one output path. Fractional counters allow non-integer increments of 1/8 and can thus increase frequency synthesis capabilities by a factor of 8. The MMCM can also provide fixed or dynamic phase shift in small increments that depend on the VCO frequency. At 1,600 MHz, the phase-shift timing increment is 11.2 ps.

### PLL

With fewer features than the MMCM, the two PLLs in a clock management tile are primarily present to provide the necessary clocks to the dedicated memory interface circuitry. The circuit at the center of the PLLs is similar to the MMCM, with PFD feeding a VCO and programmable M, D, and O counters. There are two divided outputs to the device fabric per PLL as well as one clock plus one enable signal to the memory interface circuitry.

Zynq UltraScale+ MPSoCs and RFSocS are equipped with five additional PLLs in the PS for independently configuring the four primary clock domains with the PS: the APU, the RPU, the DDR controller, and the I/O peripherals.

---

## Clock Distribution

Clocks are distributed throughout UltraScale devices via buffers that drive a number of vertical and horizontal tracks. There are 24 horizontal clock routes per clock region and 24 vertical clock routes per clock region with 24 additional vertical clock routes adjacent to the MMCM and PLL. Within a clock region, clock signals are routed to the device logic (CLBs, etc.) via 16 gateable leaf clocks.

Several types of clock buffers are available. The BUFGCE and BUFCE\_LEAF buffers provide clock gating at the global and leaf levels, respectively. BUFGCTRL provides glitchless clock muxing and gating capability. BUFGCE\_DIV has clock gating capability and can divide a clock by 1 to 8. BUFG\_GT performs clock division from 1 to 8 for the transceiver clocks. In MPSoCs and RFSocS, clocks can be transferred from the PS to the PL using dedicated buffers.

---

## Memory Interfaces

Memory interface data rates continue to increase, driving the need for dedicated circuitry that enables high performance, reliable interfacing to current and next-generation memory technologies. Every UltraScale device includes dedicated physical interfaces (PHY) blocks located between the CMT and I/O columns that support implementation of high-performance PHY blocks to external memories such as DDR4, DDR3, QDRII+, and RLDRAM3. The PHY blocks in each I/O bank generate the address/control and data bus signaling protocols as well as the precision clock/data alignment required to reliably communicate with a variety of high-performance memory standards. Multiple I/O banks can be used to create wider memory interfaces. Kintex UltraScale+ Gen 2 FPGAs and some Spartan UltraScale+ FPGAs include integrated memory controllers for interfacing to external LPDDR4X, LPDDR5, and LPDDR5X memories.

As well as external parallel memory interfaces, UltraScale architecture-based devices can communicate to external serial memories, such as Hybrid Memory Cube (HMC), via the high-speed serial transceivers. All transceivers in the UltraScale architecture support the HMC protocol, up to 15 Gb/s line rates. UltraScale devices support the highest bandwidth HMC configuration of 64 lanes with a single FPGA.

---

## Block RAM

Every UltraScale architecture-based device contains a number of 36 Kb block RAMs, each with two completely independent ports that share only the stored data. Each block RAM can be configured as one 36 Kb RAM or two independent 18 Kb RAMs. Each memory access, read or write, is controlled by the clock. Connections in every block RAM column enable signals to be cascaded between vertically adjacent block RAMs, providing an easy method to create large, fast memory arrays, and FIFOs with greatly reduced power consumption.

All inputs, data, address, clock enables, and write enables are registered. The input address is always clocked (unless address latching is turned off), retaining data until the next operation. An optional output data pipeline register allows higher clock rates at the cost of an extra cycle of latency. During a write operation, the data output can reflect either the previously stored data or the newly written data, or it can remain unchanged. Block RAM sites that remain unused in the user design are automatically powered



down to reduce total power consumption. There is an additional pin on every block RAM to control the dynamic power gating feature.

## Programmable Data Width

Each port can be configured as  $32K \times 1$ ;  $16K \times 2$ ;  $8K \times 4$ ;  $4K \times 9$  (or 8);  $2K \times 18$  (or 16);  $1K \times 36$  (or 32); or  $512 \times 72$  (or 64). Whether configured as block RAM or FIFO, the two ports can have different aspect ratios without any constraints. Each block RAM can be divided into two completely independent 18 Kb block RAMs that can each be configured to any aspect ratio from  $16K \times 1$  to  $512 \times 36$ . Everything described previously for the full 36 Kb block RAM also applies to each of the smaller 18 Kb block RAMs. Only in simple dual-port (SDP) mode can data widths of greater than 18 bits (18 Kb RAM) or 36 bits (36 Kb RAM) be accessed. In this mode, one port is dedicated to read operation, the other to write operation. In SDP mode, one side (read or write) can be variable, while the other is fixed to 32/36 or 64/72. Both sides of the dual-port 36 Kb RAM can be of variable width.

## Error Detection and Correction

Each 64-bit-wide block RAM can generate, store, and utilize eight additional Hamming code bits and perform single-bit error correction and double-bit error detection (ECC) during the read process. The ECC logic can also be used when writing to or reading from external 64- to 72-bit-wide memories.

## FIFO Controller

Each block RAM can be configured as a 36 Kb FIFO or an 18 Kb FIFO. The built-in FIFO controller for single-clock (synchronous) or dual-clock (asynchronous or multirate) operation increments the internal addresses and provides four handshaking flags: full, empty, programmable full, and programmable empty. The programmable flags allow the user to specify the FIFO counter values that make these flags go active. The FIFO width and depth are programmable with support for different read port and write port widths on a single FIFO. A dedicated cascade path allows for easy creation of deeper FIFOs.

---

## UltraRAM

UltraRAM is a high-density, dual-port, synchronous memory block available in UltraScale+ devices. Both of the ports share the same clock and can address all of the  $4K \times 72$  bits. Each port can independently read from or write to the memory array. UltraRAM supports two types of write enable schemes. The first mode is consistent with the block RAM byte write enable mode. The second mode allows gating the data and parity byte writes separately. UltraRAM blocks can be connected together to create larger memory arrays. Dedicated routing in the UltraRAM column enables the entire column height to be connected together. If additional density is required, all the UltraRAM columns in an SLR can be connected together with a few fabric resources to create single instances of RAM approximately 100 Mb in size. This makes UltraRAM an ideal solution for replacing external memories such as SRAM. Cascadable anywhere from 288 Kb to 100 Mb, UltraRAM provides the flexibility to fulfill many different memory requirements.



## Error Detection and Correction

Each 64-bit-wide UltraRAM can generate, store, and utilize eight additional Hamming code bits and perform single-bit error correction and double-bit error detection (ECC) during the read process.

---

## High Bandwidth Memory (HBM)

Virtex UltraScale+ HBM devices incorporate 4 GB or 8 GB HBM stacks adjacent to the FPGA die. Using stacked silicon interconnect technology, the FPGA communicates to the HBM stacks through memory controllers that connect to dedicated low-inductance interconnect in the silicon interposer. Each Virtex UltraScale+ HBM FPGA contains one or two HBM stacks, resulting in up to 16 GB of HBM per FPGA.

The FPGA has 32 HBM AXI interfaces used to communicate with the HBM. Through a built-in switch mechanism, any of the 32 HBM AXI interfaces can access any memory address on either one or both of the HBM stacks due to the flexible addressing feature. This flexible connection between the FPGA and the HBM stacks results in easy floorplanning and timing closure. The memory controllers perform read and write reordering to improve bus efficiency. Data integrity is ensured through error checking and correction (ECC) circuitry.

---

## Configurable Logic Block

Every Configurable Logic Block (CLB) in the UltraScale architecture contains 8 LUTs and 16 flip-flops. The LUTs can be configured as either one 6-input LUT with one output, or as two 5-input LUTs with separate outputs but common inputs. Each LUT can optionally be registered in a flip-flop. In addition to the LUTs and flip-flops, the CLB contains arithmetic carry logic and multiplexers to create wider logic functions.

Each CLB contains one slice. There are two types of slices: SLICEL and SLICEM. LUTs in the SLICEM can be configured as 64-bit RAM, as 32-bit shift registers (SRL32), or as two SRL16s. CLBs in the UltraScale architecture have increased routing and connectivity compared to CLBs in previous-generation AMD devices. They also have additional control signals to enable superior register packing, resulting in overall higher device utilization.

---

## Interconnect

Various length vertical and horizontal routing resources in the UltraScale architecture that span 1, 2, 4, 5, 12, or 16 CLBs ensure that all signals can be transported from source to destination with ease, providing support for the next generation of wide data buses to be routed across even the highest capacity devices while simultaneously improving quality of results and software runtime.

## Digital Signal Processing

DSP applications use many binary multipliers and accumulators, best implemented in dedicated DSP slices. All UltraScale devices have many dedicated, low-power DSP slices, combining high speed with small size while retaining system design flexibility.

Each DSP slice fundamentally consists of a dedicated  $27 \times 18$  bit twos complement multiplier and a 48-bit accumulator. The multiplier can be dynamically bypassed, and two 48-bit inputs can feed a single-instruction-multiple-data (SIMD) arithmetic unit (dual 24-bit add/subtract/accumulate or quad 12-bit add/subtract/accumulate), or a logic unit that can generate any one of ten different logic functions of the two operands.

The DSP includes an additional pre-adder, typically used in symmetrical filters. This pre-adder improves performance in densely packed designs and reduces the DSP slice count by up to 50%. The 96-bit-wide XOR function, programmable to 12, 24, 48, or 96-bit widths, enables performance improvements when implementing forward error correction and cyclic redundancy checking algorithms.

The DSP also includes a 48-bit-wide pattern detector that can be used for convergent or symmetric rounding. The pattern detector is also capable of implementing 96-bit-wide logic functions when used in conjunction with the logic unit.

The DSP slice provides extensive pipelining and extension capabilities that enhance the speed and efficiency of many applications beyond digital signal processing, such as wide dynamic bus shifters, memory address generators, wide bus multiplexers, and memory-mapped I/O register files. The accumulator can also be used as a synchronous up/down counter.

## System Monitor

The System Monitor blocks in the UltraScale architecture are used to enhance the overall safety, security, and reliability of the system by monitoring the physical environment via on-chip power supply and temperature sensors and external channels to the ADC.

All UltraScale architecture-based devices contain at least one System Monitor. The System Monitor in UltraScale+ FPGAs and the PL of Zynq UltraScale+ MPSoCs and RFSocS is similar to the Kintex UltraScale and Virtex UltraScale devices but with additional features including a PMBus interface.

Zynq UltraScale+ MPSoCs contain an additional System Monitor block in the PS. See [Table 32](#).

**Table 32: Key System Monitor Features**

|            | <b>Kintex UltraScale<br/>Virtex UltraScale</b> | <b>Spartan UltraScale+<br/>Artix UltraScale+<br/>Kintex UltraScale+<br/>Kintex UltraScale+ Gen 2<br/>Virtex UltraScale+<br/>Zynq UltraScale+ PL</b> | <b>Zynq UltraScale+ PS</b> |
|------------|--|---|----------------------------|
| ADC        | 10-bit 200kSPS                                 | 10-bit 200kSPS  | 10-bit 1 MSPS              |
| Interfaces | JTAG, I2C, DRP                                 | JTAG, I2C, DRP, PMBus   | APB                        |



In FPGAs and the PL of the MPSoCs and RFSocS, sensor outputs and up to 17 user-allocated external analog inputs are digitized using a 10-bit 200 kilo-sample-per-second (kSPS) ADC, and the measurements are stored in registers that can be accessed via internal FPGA (DRP), JTAG, PMBus, or I2C interfaces. The I2C interface and PMBus allow the on-chip monitoring to be easily accessed by the System Manager/Host before and after device configuration.

The System Monitor in the PS MPSoC and RFSocS uses a 10-bit, 1 mega-sample-per-second (MSPS) ADC to digitize the sensor outputs. The measurements are stored in registers and are accessed via the Advanced Peripheral Bus (APB) interface by the processors and the platform management unit (PMU) in the PS.

---

## Boot, Configuration, and Security

The UltraScale architecture-based devices store their customized programmable logic configuration in SRAM-type internal latches. The configuration storage is volatile and must be reloaded whenever the device is powered up. This storage can also be reloaded at any time. Several methods and data formats for loading configuration are available, determined by the mode pins, with more dedicated configuration datapath pins to simplify the configuration process.

UltraScale architecture-based devices support secure and non-secure boot with optional decryption and authentication logic. If only authentication is required, most devices provide an alternative form of authentication in the form of RSA algorithms. For RSA authentication support, go to [UG570](#), *UltraScale Architecture Configuration User Guide*.

UltraScale architecture-based devices also have the ability to select between multiple configurations, and support robust field-update methodologies. This is especially useful for updates to a design after the end product has been shipped. Designers can release their product with an early version of the design, thus getting their product to market faster. This feature allows designers to keep their customers current with the most up-to-date design while the product is already deployed in the field.

The configuration block also provides 256-bit AES-GCM decryption capability at the same performance as unencrypted configuration. Most FPGA families support asymmetric bitstream authentication using RSA-2048 in conjunction with SHA-3/384. Additional features include SEU detection and correction, and partial reconfiguration support. All families support eFUSE technology for AES key storage. All families except Spartan UltraScale+ FPGAs and Kintex UltraScale+ Gen 2 FPGAs support battery-backed RAM for AES key storage.

Spartan UltraScale+ and Kintex UltraScale+ Gen 2 FPGAs support HWRoT secure boot using Post-Quantum Cryptography (PQC) approved schemes. The AES-GCM block includes dynamic power analysis (DPA) countermeasures.

Spartan UltraScale+ and Kintex UltraScale+ Gen 2 devices include advanced security features. The physically uncloneable function (PUF) is supported for black key storage, external secure storage, unique ID, and key derivation function use cases. Devices also include true random number generators (TRNG) for secure, randomized key generation.

Zynq UltraScale+ MPSoC and RFSocS devices support Hardware Root of Trust (HWRoT) secure boot based on RSA-4096 asymmetric authentication in conjunction with SHA-3/384.

The System Monitor enables the monitoring of the physical environment via on-chip temperature and supply sensors and can also monitor up to 17 external analog inputs. With Zynq UltraScale+ MPSoCs and



RFSocS, the device is booted via the Configuration and Security Unit (CSU), which supports secure boot via the 256-bit AES-GCM and SHA/384 blocks. The cryptographic engines in the CSU can be used after boot for user encryption.

## Booting MPSoCs and RFSocS

Zynq UltraScale+ MPSoCs and RFSocS use a multi-stage boot process that supports both a non-secure and a secure boot. The PS is the master of the boot and configuration process. For a secure boot, the AES-GCM, SHA-3/384 decryption/authentication, and 4096-bit RSA blocks decrypt and authenticate the image.

Upon reset, the device mode pins are read to determine the primary boot device to be used: NAND, Quad-SPI, SD, eMMC, or JTAG. JTAG can only be used as a non-secure boot source and is intended for debugging purposes. One of the CPUs, Cortex-A53 or Cortex-R5F, executes code out of on-chip ROM and copies the first stage boot loader (FSBL) from the boot device to the on-chip memory (OCM).

After copying the FSBL to OCM, the processor executes the FSBL. AMD supplies example FSBLs or users can create their own. The FSBL initiates the boot of the PS and can load and configure the PL, or configuration of the PL can be deferred to a later stage. The FSBL typically loads either a user application or an optional second stage boot loader (SSBL) such as U-Boot. Users obtain example SSBL from AMD or a third party, or they can create their own SSBL. The SSBL continues the boot process by loading code from any of the primary boot devices or from other sources such as USB, Ethernet, etc. If the FSBL did not configure the PL, the SSBL can do so, or again, the configuration can be deferred to a later stage.

The static memory interface controller (NAND, eMMC, or Quad-SPI) is configured using default settings. To improve device configuration speed, these settings can be modified by information provided in the boot image header. The ROM boot image is not user readable or executable after boot.

## Configuring FPGAs

The SPI (serial NOR flash) interface, OSPI (octal SPI NOR flash) interface, and BPI (parallel NOR flash) interface are common methods used for configuring the FPGA and are referred to as master configuration modes. Users can directly connect an SPI, Octal SPI, or parallel NOR flash to the FPGA, and the FPGA's internal configuration logic reads the data image (bitstream or programmable device image) out of the flash and configures itself, eliminating the need for an external controller.

The FPGA automatically detects the bus width, eliminating the need for external controls or switches. Configuration interfaces and bus widths supported in Spartan UltraScale+ and Kintex UltraScale+ Gen 2 devices are x1/x2/x4 for SPI configuration interfaces and x1/x8 for OSPI configuration interfaces. Artix UltraScale+, Kintex UltraScale+, and Virtex UltraScale+ devices support the x1/x2/x4/dual x4 SPI interfaces and x8/x16 BPI configuration interfaces. The larger bus widths increase the configuration speed and reduce the FPGA startup time after power-on.

In master mode, the FPGA can drive the configuration clock from an internally generated clock, or for higher speed configuration, the FPGA can use an external configuration clock source. This allows high-speed configuration with the ease of use characteristic of master mode. Slave modes up to 32 bits wide that are especially useful for processor-driven configuration are also supported by the FPGA. In addition, the new media configuration access port (MCAP) provides a direct connection between the integrated block for PCIe and the configuration logic to simplify configuration over PCIe.



SEU detection and mitigation (SEM) IP, RSA authentication, post-configuration CRC, and Security Monitor (SecMon) IP are not supported in the KU025 FPGA.

---

## Packaging

The UltraScale devices are available in a variety of organic flip-chip, lidless flip-chip, and integrated fan-out (InFO) packages supporting different quantities of I/Os and transceivers. Maximum supported performance can depend on the style of package and its material. Always refer to the specific device data sheet for performance specifications by package type.

In flip-chip packages, the silicon device is attached to the package substrate using a high-performance flip-chip process. Decoupling capacitors are mounted on the package substrate to optimize signal integrity under simultaneous switching of outputs (SSO) conditions.

InFO packages are small form factor packages that require much less PCB area and are much thinner than other packaging types. These packages enable the use of high compute density devices in small applications. The elimination of the package substrate provides excellent thermal and power distribution and shorter flight times with improved signal integrity.



## Ordering Information

Table 33 shows the speed and temperature grades available in the different device families.  $V_{CCINT}$  supply voltage is listed in parentheses.

Table 33: Speed Grade and Temperature Grade

| Device Family            | XC Devices   | Speed Grade and Temperature Grade |                              |                                      |                                      |
|--------------------------|--|-----------------------------------|------------------------------|--------------------------------------|--------------------------------------|
|                          |  | Commercial (C)                    | Extended (E)                 |                                      | Industrial (I)                       |
|                          |  | 0°C to +85°C                      | 0°C to +100°C <sup>(1)</sup> | 0°C to +110°C                        | -40°C to +100°C                      |
| Spartan UltraScale+      | All  |                                   | -2E (0.85V)                  |                                      | -2I (0.85V)                          |
|                          |  |                                   | -1E (0.85V)                  |                                      | -1I (0.85V)                          |
|                          |  |                                   |                              |                                      | -1LI (0.85 or 0.72V)                 |
| Artix UltraScale+        | All  |                                   | -2E (0.85V)                  |                                      | -2I (0.85V)                          |
|                          |  |                                   | -1E (0.85V)                  |                                      | -1I (0.85V)                          |
|                          |  |                                   |                              |                                      | -1LI (0.85 or 0.72V)                 |
| Kintex UltraScale        | All  |                                   | -3E <sup>(2)</sup> (1.0V)    |                                      |                                      |
|                          |  |                                   | -2E (0.95V)                  |                                      | -2I (0.95V)                          |
|                          |  | -1C (0.95V)                       |                              |                                      | -1I (0.95V)                          |
|                          |  |                                   |                              |                                      | -1LI <sup>(2)</sup> (0.95V or 0.90V) |
| Kintex UltraScale+       | All  |                                   | -3E (0.90V)                  |                                      |                                      |
|                          |  |                                   | -2E (0.85V)                  |                                      | -2I (0.85V)                          |
|                          |  |                                   |                              | -2LE <sup>(3)</sup> (0.85V or 0.72V) |                                      |
|                          |  |                                   | -1E (0.85V)                  |                                      | -1I (0.85V)                          |
|                          |  |                                   | -1LI (0.85V or 0.72V)        |                                      |                                      |
| Kintex UltraScale+ Gen 2 | All  |                                   | -3E (0.90V)                  |                                      |                                      |
|                          |  |                                   | -2E (0.85V)                  |                                      | -2I (0.85V)                          |
|                          |  |                                   |                              | -2LE <sup>(3)</sup> (0.85V or 0.72V) |                                      |
|                          |  |                                   | -1E (0.85V)                  |                                      | -1I (0.85V)                          |
|                          |  |                                   | -1LI (0.85V or 0.72V)        |                                      |                                      |
| Virtex UltraScale        | VU065<br>VU080<br>VU095<br>VU125<br>VU160<br>VU190 |                                   | -3E (1.0V)                   |                                      |                                      |
|                          |  |                                   | -2E (0.95V)                  |                                      | -2I (0.95V)                          |
|                          |  |                                   | -1HE (0.95V or 1.0V)         |                                      | -1I (0.95V)                          |
|                          | VU440  |                                   | -3E (1.0V)                   |                                      |                                      |
|                          |  |                                   | -2E (0.95V)                  |                                      | -2I (0.95V)                          |
|                          |  | -1C (0.95V)                       |                              |                                      | -1I (0.95V)                          |



Table 33: Speed Grade and Temperature Grade (Cont'd)

| Device Family      | XC Devices  | Speed Grade and Temperature Grade |   |               |                 |                                      |
|--------------------|---|-----------------------------------|---|---------------|-----------------|--------------------------------------|
|                    |   | Commercial (C)                    | Extended (E)                            |               | Industrial (I)  |                                      |
|                    |   | 0°C to +85°C                      | 0°C to +100°C <sup>(1)</sup>            | 0°C to +110°C | -40°C to +100°C |                                      |
| Virtex UltraScale+ | VU3P  |                                   | -3E (0.90V)                             |               |                 |                                      |
|                    | VU5P  |                                   | -2E (0.85V)                             |               |                 | -2I (0.85V)                          |
|                    | VU7P  |                                   |   |               |                 |                                      |
|                    | VU9P  |                                   |   |               |                 | -2LE <sup>(3)</sup> (0.85V or 0.72V) |
|                    | VU11P   |                                   |   |               |                 |                                      |
|                    | VU13P   |                                   |   |               |                 |                                      |
|                    | VU23P   | -1E (0.85V)                       |   | -1I (0.85V)   |                 |                                      |
|                    | VU27P   |                                   |   |               |                 |                                      |
|                    | VU29P   |                                   |   |               |                 |                                      |
|                    | VU19P   |                                   | -2E (0.85V)                             |               |                 |                                      |
|                    |   |                                   | -1E (0.85V)                             |               |                 |                                      |
|                    | VU31P<br>VU33P<br>VU35P<br>VU37P<br>VU45P<br>VU47P<br>VU57P |                                   | -3E (0.90V)                             |               |                 |                                      |
|                    |   |                                   | -2E (0.85V)                             |               |                 |                                      |
|                    |   |                                   | -2LE <sup>(3)(4)</sup> (0.85V or 0.72V) |               |                 |                                      |
|                    |   |                                   |   |               |                 |                                      |
|                    |   | -1E (0.85V)                       |   |               |                 |                                      |
|                    |   |                                   |   |               |                 |                                      |



Table 33: Speed Grade and Temperature Grade (Cont'd)

| Device Family  | XC Devices  | Speed Grade and Temperature Grade |                              |   |                                      |
|--|---|-----------------------------------|------------------------------|---|--------------------------------------|
|  |   | Commercial (C)                    | Extended (E)                 |   | Industrial (I)                       |
|  |   | 0°C to +85°C                      | 0°C to +100°C <sup>(1)</sup> | 0°C to +110°C                           | -40°C to +100°C                      |
| Zynq UltraScale+   | CG Devices  |                                   | -2E (0.85V)                  |   | -2I (0.85V)                          |
|  |   |                                   |                              | -2LE <sup>(3)(5)</sup> (0.85V or 0.72V) |                                      |
|  |   |                                   | -1E (0.85V)                  |   | -1I (0.85V)                          |
|  |   |                                   |                              |   | -1LI <sup>(5)</sup> (0.85V or 0.72V) |
|  | ZU1EG<br>ZU2EG<br>ZU3EG<br>ZU3TEG   |                                   | -2E (0.85V)                  |   | -2I (0.85V)                          |
|  |   |                                   |                              | -2LE <sup>(3)(5)</sup> (0.85V or 0.72V) |                                      |
|  |   |                                   | -1E (0.85V)                  |   | -1I (0.85V)                          |
|  |   |                                   |                              |   | -1LI <sup>(5)</sup> (0.85V or 0.72V) |
|  | ZU4EG<br>ZU5EG<br>ZU6EG<br>ZU7EG<br>ZU9EG<br>ZU11EG<br>ZU15EG<br>ZU17EG<br>ZU19EG |                                   | -3E (0.90V)                  |   |                                      |
|  |   |                                   | -2E (0.85V)                  |   | -2I (0.85V)                          |
|  |   |                                   |                              | -2LE <sup>(3)(5)</sup> (0.85V or 0.72V) |                                      |
|  |   |                                   | -1E (0.85V)                  |   | -1I (0.85V)                          |
|  |   |                                   |                              |   | -1LI <sup>(5)</sup> (0.85V or 0.72V) |
|  |   |                                   |                              |   |                                      |
|  |   |                                   |                              |   |                                      |
|  | EV Devices  |                                   | -3E (0.90V)                  |   |                                      |
|  |   |                                   | -2E (0.85V)                  |   | -2I (0.85V)                          |
|  |   |                                   |                              | -2LE <sup>(3)(5)</sup> (0.85V or 0.72V) |                                      |
|  |   |                                   | -1E (0.85V)                  |   | -1I (0.85V)                          |
|  |   |                                   |                              |   | -1LI <sup>(5)</sup> (0.85V or 0.72V) |
|  | ZU21DR<br>ZU25DR<br>ZU27DR<br>ZU28DR<br>ZU29DR                                    |                                   | -2E (0.85V)                  |   | -2I (0.85V)                          |
|  |   |                                   |                              | -2LE <sup>(3)(5)</sup> (0.85V or 0.72V) | -2LI (0.72V) <sup>(6)</sup>          |
|  |   |                                   | -1E (0.85V)                  |   | -1I (0.85V)                          |
|  |   |                                   |                              |   | -1LI <sup>(5)</sup> (0.85V or 0.72V) |
|  |   |                                   |                              |   |                                      |
| ZU39DR   |   |                                   |                              | -2I (0.85V)                             |                                      |
|  |   |                                   |                              | -2LI (0.72V) <sup>(6)</sup>             |                                      |
| ZU42DR<br>ZU43DR<br>ZU46DR<br>ZU47DR<br>ZU48DR<br>ZU49DR |   | -2E (0.85V)                       |                              | -2I (0.85V)                             |                                      |
|  |   |                                   |                              | -2LI (0.72V) <sup>(6)</sup>             |                                      |
|  |   | -1E (0.85V)                       |                              | -1I (0.85V)                             |                                      |
|  |   |                                   |                              | -1LI <sup>(5)</sup> (0.72V)             |                                      |
|  |   |                                   |                              |   |                                      |



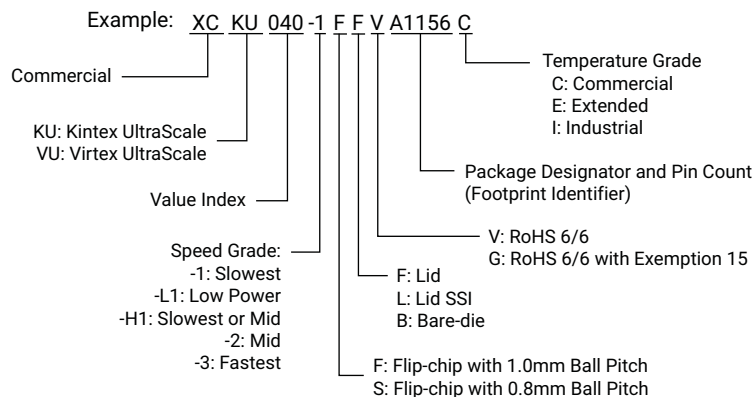
Table 33: Speed Grade and Temperature Grade (Cont'd)

| Device Family              | XC Devices | Speed Grade and Temperature Grade |                              |               |                             |
|----------------------------|------------|-----------------------------------|------------------------------|---------------|-----------------------------|
|                            |            | Commercial (C)                    | Extended (E)                 |               | Industrial (I)              |
|                            |            | 0°C to +85°C                      | 0°C to +100°C <sup>(1)</sup> | 0°C to +110°C | -40°C to +100°C             |
| Zynq UltraScale+ RFSoc DFE | ZU63DR     |                                   |                              |               | -2I (0.85V)                 |
|                            | ZU64DR     |                                   |                              |               | -2LI (0.72V) <sup>(6)</sup> |
|                            | ZU65DR     |                                   |                              |               | -1I (0.85V)                 |
|                            | ZU67DR     |                                   |                              |               | -1LI (0.72V)                |

**Notes:**

- The recommended maximum operating temperature for high-bandwidth memory is 95°C.
- KU025 and KU095 are not available in -3E or -1LI speed/temperature grades.
- In -2LE speed/temperature grade, devices can operate for a limited time with junction temperature of 110°C. Timing parameters adhere to the same speed file at 110°C as they do below 110°C, regardless of operating voltage (nominal at 0.85V or low voltage at 0.72V). Operation at 110°C Tj is limited to 1% of the device lifetime and can occur sequentially or at regular intervals as long as the total time does not exceed 1% of device lifetime.
- Devices with HBM and labeled with the speed/temperature grade of -2LE can operate for a limited time at a junction temperature between 95°C and 105°C. HBM operation up to Tj = 105°C is limited to 4.1% of the device lifetime and can occur sequentially or at regular intervals as long as the total time does not exceed 4.1% of the device lifetime, and for no longer than 96 hours at a time. While operating the HBM above 95°C, the refresh rate must be at least 4x the refresh rate at 95°C.
- In Zynq UltraScale+ MPSocS and RFSocS, when operating the PL at low voltage (0.72V), the PS operates at nominal voltage (0.85V).
- In -2LI speed/temperature grade, devices can operate for a limited time with junction temperature of 110°C. Timing parameters adhere to the same speed file at 110°C as they do below 110°C. Operation at 110°C Tj is limited to 5% of the device lifetime and can occur sequentially or at regular intervals as long as the total time does not exceed 5% of device lifetime.

The ordering information shown in [Figure 3](#) applies to all packages in the Kintex UltraScale and Virtex UltraScale FPGAs. Refer to the Package Marking section of [UG575, UltraScale and UltraScale+ FPGAs Packaging and Pinouts User Guide](#) for a more detailed explanation of the device markings.



1) -L1 and -H1 are the ordering codes for the -1L and -1H speed grades, respectively.

2) See UG575: UltraScale and UltraScale+ FPGAs Packaging and Pinouts User Guide for more information.

DS890\_03\_113023

Figure 3: Kintex UltraScale and Virtex UltraScale FPGA Ordering Information



The ordering information shown in [Figure 4](#) applies to all packages in the Spartan UltraScale+, Artix UltraScale+, Kintex UltraScale+, Kintex UltraScale+ Gen 2, and Virtex UltraScale+ FPGAs, and [Figure 5](#) applies to Zynq UltraScale+MPSoCs and RFSocCs.

The -1L and -2L speed grades in the UltraScale+ families can run at one of two different  $V_{CCINT}$  operating voltages. At 0.72V, they operate at similar performance to the Kintex UltraScale and Virtex UltraScale devices with up to 30% reduction in power consumption. At 0.85V, they consume similar power to the Kintex UltraScale and Virtex UltraScale devices, but operate over 30% faster.

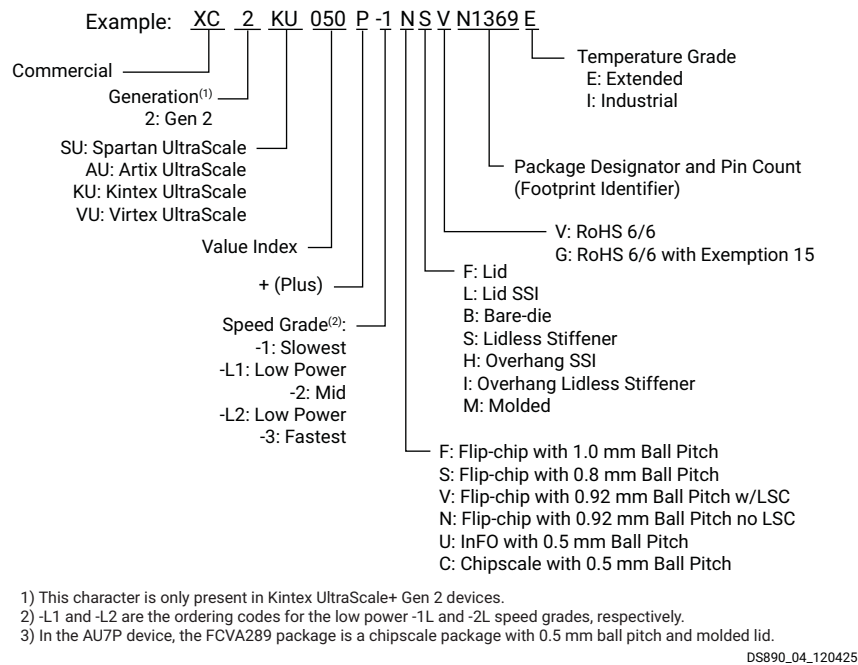


Figure 4: UltraScale+ FPGA Ordering Information

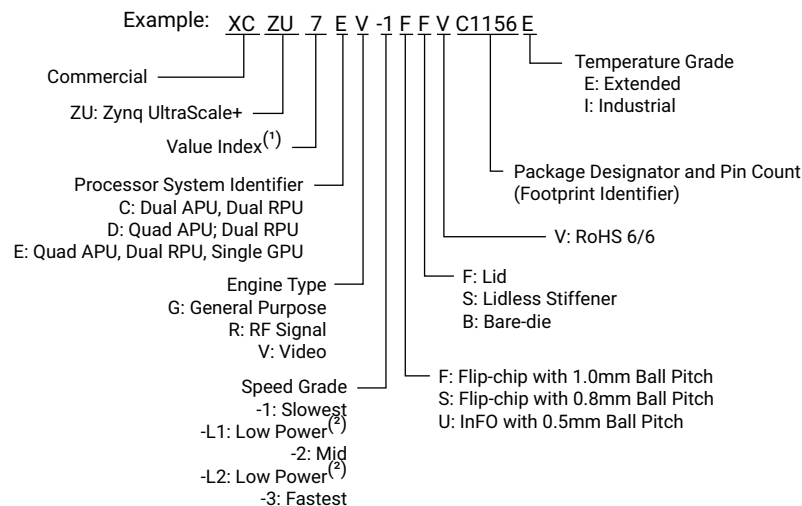


Figure 5: Zynq UltraScale+ MPSoC and RFSoc Ordering Information



## Revision History

The following table shows the revision history for this document:

| Date       | Version | Description of Revisions   |
|------------|---------|--|
| 02/03/2026 | 4.9     | Added Kintex UltraScale+ Gen 2 FPGAs throughout the document. Updated <a href="#">Input/Output</a> .   |
| 11/19/2025 | 4.8     | Updated <a href="#">Table 3</a> and <a href="#">Table 4</a> : Added SU45 and SU60P devices and CMVE529 and SBVD529 packages. Removed CCIX information.   |
| 05/13/2025 | 4.7     | Updated <a href="#">Table 3</a> and added the SBVF900 package and made other updates to <a href="#">Table 4</a> .  |
| 03/18/2025 | 4.6.1   | Typographical edit in <a href="#">Table 21</a> .   |
| 11/30/2024 | 4.6     | Updated <a href="#">Table 5</a> , <a href="#">Table 30</a> , and <a href="#">Device Layout</a> . Added the SFVE784 package to <a href="#">Table 19</a> , <a href="#">Table 20</a> , <a href="#">Table 21</a> , <a href="#">Table 22</a> , <a href="#">Table 23</a> , and <a href="#">Table 24</a> .  |
| 03/04/2024 | 4.5     | Added Spartan UltraScale+ family throughout document: Added <a href="#">Table 3</a> , and <a href="#">Table 4</a> . Updated <a href="#">Table 1</a> , <a href="#">Table 29</a> , <a href="#">Table 30</a> , <a href="#">Table 32</a> , <a href="#">Table 33</a> , <a href="#">Input/Output</a> , <a href="#">Integrated Interface Blocks for PCI Express Designs</a> , <a href="#">Memory Interfaces</a> , <a href="#">Boot</a> , <a href="#">Configuration</a> , and <a href="#">Security</a> , <a href="#">Configuring FPGAs</a> , and <a href="#">Figure 4</a> .<br>Updated table notes: <a href="#">Table 19</a> , <a href="#">Table 21</a> , and <a href="#">Table 25</a> .<br>Renamed Configuration, Encryption, and System Monitoring to <a href="#">Configuration, Encryption, and System Monitoring</a> . |
| 07/20/2023 | 4.4.1   | Typographical edit.  |
| 06/22/2023 | 4.4     | Removed UBVA292; added FCVA289 in <a href="#">Table 6</a> . Added ZU63DR and ZU64DR throughout document. Added <a href="#">Digital Front-End (DFE) Overview</a> . Added <a href="#">Table 27</a> and <a href="#">Table 28</a> . Updated <a href="#">Table 1</a> , <a href="#">Table 7</a> , <a href="#">Table 9</a> , <a href="#">Table 30</a> , and <a href="#">Table 33</a> .  |
| 11/07/2022 | 4.3     | Added AU7P and ZU3T devices throughout document.   |
| 05/20/2022 | 4.2     | Updated <a href="#">Table 5</a> : Added Note 5. Updated <a href="#">Table 29</a> . Updated Artix UltraScale+ FPGA values in <a href="#">Table 30</a> .   |
| 02/07/2022 | 4.1.1   | Typographical edit: Updated fractional PLL counts in <a href="#">Table 5</a> .   |
| 01/07/2022 | 4.1     | Added Zynq UltraScale+ RFSoc DFE devices throughout document. Updated Artix UltraScale+ FPGA information in <a href="#">Table 30</a> .   |
| 03/16/2021 | 4.0     | Added Artix UltraScale+ and Zynq UltraScale+ ZU1CG/EG devices throughout document.   |
| 09/14/2020 | 3.14    | Added ZU42DR throughout document.  |
| 07/21/2020 | 3.13    | Added KU19P throughout the document. Updated <a href="#">Table 29</a> and <a href="#">Table 30</a> .   |
| 06/25/2020 | 3.12    | Added VU57P throughout the document. Updated <a href="#">RF Data Converter Subsystem Overview</a> , <a href="#">RF-ADCs</a> , <a href="#">RF-DACs</a> , <a href="#">Table 31</a> and <a href="#">Table 33</a> .  |
| 05/20/2020 | 3.11    | Added VU23P throughout document. Added Zynq UltraScale+ RFSocs to <a href="#">Table 30</a> . Updated <a href="#">Table 1</a> , <a href="#">Table 16</a> , <a href="#">Table 29</a> , <a href="#">Table 31</a> , and <a href="#">Integrated Block for Interlaken</a> .  |
| 08/21/2019 | 3.10    | Added VU19P and ZU43DR throughout document.  |
| 06/27/2019 | 3.9     | Added VU45P and VU47P throughout document. Updated <a href="#">Routing</a> , <a href="#">SSI</a> , <a href="#">Logic</a> , <a href="#">Storage</a> , and <a href="#">Signal Processing</a> , and <a href="#">High Bandwidth Memory (HBM)</a> . Added VU27P to <a href="#">Table 33</a> .   |
| 05/13/2019 | 3.8     | Updated VU27P in <a href="#">Table 15</a> and ZU39DR in <a href="#">Table 25</a> .   |
| 02/20/2019 | 3.7     | Added XCZU39DR, XCZU46DR, XCZU47DR, XCZU48DR, and XCZU49DR. Updated <a href="#">Table 25</a> , <a href="#">Table 26</a> , <a href="#">RF-ADCs</a> , <a href="#">RF-DACs</a> , and <a href="#">Table 33</a> .   |
| 11/12/2018 | 3.6     | Updated PCIe information throughout document: <a href="#">Processing System Overview</a> , <a href="#">I/O</a> , <a href="#">Transceiver</a> , <a href="#">PCIe</a> , <a href="#">100G Ethernet</a> , and <a href="#">150G Interlaken</a> , <a href="#">Table 9</a> , <a href="#">Table 19</a> , <a href="#">Table 21</a> , <a href="#">Table 23</a> , <a href="#">Table 25</a> , <a href="#">Table 29</a> , <a href="#">Integrated Interface Blocks for PCI Express Designs</a> , and <a href="#">Table 30</a> . Updated VU27P resource and package information in <a href="#">Table 15</a> and <a href="#">Table 18</a> .  |
| 08/21/2018 | 3.5     | Changed document classification to Product Specification from Preliminary Product Specification. Updated <a href="#">RF Data Converter Subsystem Overview</a> . Updated <a href="#">RF-ADCs</a> and <a href="#">RF-DACs</a> .  |



| Date       | Version | Description of Revisions  |
|------------|---------|---|
| 05/17/2018 | 3.4     | Updated <a href="#">RF Data Converter Subsystem Overview</a> , <a href="#">Table 25</a> , <a href="#">RF-ADCs</a> , and <a href="#">Table 33</a> (removed -3E, added -2LI and note 4 for the DR devices). Added FSGA2577 to <a href="#">Table 18</a> .  |
| 03/12/2018 | 3.3     | Added VU27P and VU29P: Updated <a href="#">Table 1</a> , <a href="#">I/O</a> , <a href="#">Transceiver</a> , <a href="#">PCIe</a> , <a href="#">100G Ethernet</a> , and <a href="#">150G Interlaken</a> , <a href="#">Table 15</a> , <a href="#">Table 18</a> , <a href="#">High-Speed Serial Transceivers</a> , and <a href="#">Table 29</a> , and added <a href="#">GTM Transceivers</a> . Updated Note 4 in <a href="#">Table 20</a> and <a href="#">Table 22</a> .  |
| 01/23/2018 | 3.2     | Updated RFADC/DAC rates in <a href="#">RF Data Converter Subsystem Overview</a> , <a href="#">Table 25</a> , <a href="#">RF-ADCs</a> , and <a href="#">RF-DACs</a> .  |
| 11/15/2017 | 3.1     | Updated <a href="#">Table 26</a> with FSVE1156, FSVG1517, and FSVF176 0 packages. Updated <a href="#">Figure 5</a> .  |
| 10/03/2017 | 3.0     | Added Zynq UltraScale+ RFSoc information throughout document. Updated <a href="#">General Description</a> , <a href="#">Table 1</a> , <a href="#">RF Data Converter Subsystem Overview</a> , <a href="#">Soft Decision Forward Error Correction (SD-FEC) Overview</a> , <a href="#">Processing System Overview</a> (including <a href="#">Table 2</a> ), <a href="#">Configuration</a> , <a href="#">Encryption</a> , and <a href="#">System Monitoring</a> , <a href="#">Table 31</a> , <a href="#">Table 33</a> , and <a href="#">Figure 5</a> . Updated UltraRAM ZU4CG/ZU4EG/ZU4EV values in <a href="#">Table 19</a> , <a href="#">Table 21</a> , <a href="#">Table 23</a> . Added <a href="#">Table 25</a> , <a href="#">Table 26</a> , <a href="#">RF Data Converter Subsystem Overview</a> , and <a href="#">Soft Decision Forward Error Correction (SD-FEC) Overview</a> . Updated <a href="#">Figure 3</a> , <a href="#">Figure 4</a> , and <a href="#">Figure 5</a> . |
| 02/15/2017 | 2.11    | Updated <a href="#">Table 1</a> , <a href="#">Table 15</a> : Converted HBM from Gb to GB. Updated <a href="#">Table 19</a> , <a href="#">Table 21</a> , and <a href="#">Table 23</a> : Updated DSP count for Zynq UltraScale+ MPSoCs. Updated <a href="#">Integrated Block for Interlaken</a> . Updated <a href="#">High Bandwidth Memory (HBM)</a> . Updated <a href="#">Table 33</a> : Added -2E speed grade to all UltraScale+ devices. Removed -3E from XCZU2 and XCZU3.  |
| 11/09/2016 | 2.10    | Updated <a href="#">Table 1</a> . Added HBM devices to <a href="#">Table 15</a> , <a href="#">Table 18</a> , <a href="#">Table 31</a> and new <a href="#">High Bandwidth Memory (HBM)</a> section. Added <a href="#">Integrated Block for Interlaken</a> section.   |
| 09/27/2016 | 2.9     | Updated <a href="#">Table 9</a> , <a href="#">Table 20</a> , <a href="#">Table 21</a> , and <a href="#">Table 22</a> .  |
| 06/03/2016 | 2.8     | Added Zynq UltraScale+ MPSoC CG devices: Added <a href="#">Table 2</a> . Updated <a href="#">Table 19</a> , <a href="#">Table 20</a> , <a href="#">Table 33</a> , and <a href="#">Figure 5</a> . Created separate tables for EG and EV devices: <a href="#">Table 21</a> , <a href="#">Table 22</a> , <a href="#">Table 23</a> , and <a href="#">Table 24</a> . Updated <a href="#">Table 1</a> , <a href="#">Table 7</a> , <a href="#">Table 9</a> and notes, <a href="#">Table 10</a> and notes, <a href="#">Table 13</a> , <a href="#">Table 15</a> , <a href="#">Table 18</a> , <a href="#">Processing System Overview</a> , and <a href="#">Processing System (PS)</a> details.  |
| 02/17/2016 | 2.7     | Added <a href="#">Migrating Devices</a> . Updated <a href="#">Table 8</a> , <a href="#">Table 9</a> , <a href="#">Table 10</a> , <a href="#">Table 18</a> , <a href="#">Table 19</a> , <a href="#">Table 20</a> , and <a href="#">Figure 4</a> .  |
| 12/15/2015 | 2.6     | Updated <a href="#">Table 1</a> , <a href="#">Table 9</a> , <a href="#">Table 10</a> , <a href="#">Table 15</a> , <a href="#">Table 20</a> , and <a href="#">Boot, Configuration, and Security</a> .  |
| 11/24/2015 | 2.5     | Updated <a href="#">Configuration, Encryption, and System Monitoring</a> , <a href="#">Table 9</a> , <a href="#">Table 15</a> , <a href="#">Table 19</a> , and <a href="#">Table 33</a> .   |
| 10/15/2015 | 2.4     | Updated <a href="#">Table 1</a> , <a href="#">Table 7</a> , <a href="#">Table 9</a> , <a href="#">Table 13</a> , <a href="#">Table 15</a> , and <a href="#">Table 19</a> with System Logic Cells. Updated <a href="#">Figure 3</a> . Updated <a href="#">Table 31</a> .   |
| 09/29/2015 | 2.3     | Added A1156 to KU095 in <a href="#">Table 8</a> . Updated <a href="#">Table 9</a> . Updated Max. Distributed RAM in <a href="#">Table 15</a> . Updated Distributed RAM in <a href="#">Table 19</a> . Added <a href="#">Table 31</a> . Updated <a href="#">Table 33</a> . Updated <a href="#">Figure 3</a> .   |
| 08/14/2015 | 2.2     | Updated <a href="#">Table 1</a> . Added XCKU025 to <a href="#">Table 7</a> , <a href="#">Table 8</a> , and <a href="#">Table 33</a> . Updated <a href="#">Table 13</a> , <a href="#">Table 15</a> , <a href="#">Table 19</a> , <a href="#">Table 20</a> , <a href="#">Table 30</a> . Updated <a href="#">System Monitor</a> . Added voltage information to <a href="#">Table 33</a> .   |
| 04/27/2015 | 2.1     | Updated <a href="#">Table 1</a> , <a href="#">Table 7</a> , <a href="#">Table 8</a> , <a href="#">Table 9</a> , <a href="#">Table 10</a> , <a href="#">Table 13</a> , <a href="#">Table 18</a> , <a href="#">Table 19</a> , <a href="#">Table 20</a> , <a href="#">Table 29</a> , <a href="#">I/O</a> , <a href="#">Transceiver</a> , <a href="#">PCIe</a> , <a href="#">100G Ethernet</a> , and <a href="#">150G Interlaken</a> , <a href="#">Integrated Interface Blocks for PCI Express Designs</a> , <a href="#">USB 3.0/2.0</a> , <a href="#">Clock Management</a> , <a href="#">System Monitor</a> , and <a href="#">Figure 3</a> .   |
| 02/23/2015 | 2.0     | UltraScale+ device information (Kintex UltraScale+ FPGA, Virtex UltraScale+ FPGA, and Zynq UltraScale+ MPSoC) added throughout document.  |
| 12/16/2014 | 1.6     | Updated <a href="#">Table 1</a> ; <a href="#">I/O</a> , <a href="#">Transceiver</a> , <a href="#">PCIe</a> , <a href="#">100G Ethernet</a> , and <a href="#">150G Interlaken</a> ; <a href="#">Table 7</a> , <a href="#">Table 13</a> ; <a href="#">Table 14</a> ; and <a href="#">Table 29</a> .   |



| Date       | Version | Description of Revisions   |
|------------|---------|--|
| 11/17/2014 | 1.5     | Updated I/O, Transceiver, PCIe, 100G Ethernet, and 150G Interlaken; Table 1; Table 8; Table 13; Table 14; Table 29; Input/Output; and Figure 3.  |
| 09/16/2014 | 1.4     | Updated Logic Cell information in Table 1. Updated Table 7; I/O, Transceiver, PCIe, 100G Ethernet, and 150G Interlaken; Table 13; Table 14; Integrated Block for 100G Ethernet; and Figure 3.  |
| 05/20/2014 | 1.3     | Updated Table 14.  |
| 05/13/2014 | 1.2     | Added Ordering Information. Updated Table 1, Clocks and Memory Interfaces, Table 7, Table 13 (removed XCVU145; added XCVU190), Table 14 (removed XCVU145; removed FLVD1924 from XCVU160; added XCVU190; updated Table Notes), Table 29, Integrated Interface Blocks for PCI Express Designs, and Integrated Block for Interlaken, and Memory Interfaces. |
| 02/06/2014 | 1.1     | Updated PCIe information in Table 1 and Table 7. Added FFVJ1924 package to Table 14.   |
| 12/10/2013 | 1.0     | Initial release.   |

## Please Read: Important Legal Notices

The information presented in this document is for informational purposes only and may contain technical inaccuracies, omissions, and typographical errors. The information contained herein is subject to change and may be rendered inaccurate for many reasons, including but not limited to product and roadmap changes, component and motherboard version changes, new model and/or product releases, product differences between differing manufacturers, software changes, BIOS flashes, firmware upgrades, or the like. Any computer system has risks of security vulnerabilities that cannot be completely prevented or mitigated. AMD assumes no obligation to update or otherwise correct or revise this information. However, AMD reserves the right to revise this information and to make changes from time to time to the content hereof without obligation of AMD to notify any person of such revisions or changes. THIS INFORMATION IS PROVIDED "AS IS." AMD MAKES NO REPRESENTATIONS OR WARRANTIES WITH RESPECT TO THE CONTENTS HEREOF AND ASSUMES NO RESPONSIBILITY FOR ANY INACCURACIES, ERRORS, OR OMISSIONS THAT MAY APPEAR IN THIS INFORMATION. AMD SPECIFICALLY DISCLAIMS ANY IMPLIED WARRANTIES OF NON-INFRINGEMENT, MERCHANTABILITY, OR FITNESS FOR ANY PARTICULAR PURPOSE. IN NO EVENT WILL AMD BE LIABLE TO ANY PERSON FOR ANY RELIANCE, DIRECT, INDIRECT, SPECIAL, OR OTHER CONSEQUENTIAL DAMAGES ARISING FROM THE USE OF ANY INFORMATION CONTAINED HEREIN, EVEN IF AMD IS EXPRESSLY ADVISED OF THE POSSIBILITY OF SUCH DAMAGES.

### AUTOMOTIVE APPLICATIONS DISCLAIMER

AUTOMOTIVE PRODUCTS (IDENTIFIED AS "XA" IN THE PART NUMBER) ARE NOT WARRANTED FOR USE IN THE DEPLOYMENT OF AIRBAGS OR FOR USE IN APPLICATIONS THAT AFFECT CONTROL OF A VEHICLE ("SAFETY APPLICATION") UNLESS THERE IS A SAFETY CONCEPT OR REDUNDANCY FEATURE CONSISTENT WITH THE ISO 26262 AUTOMOTIVE SAFETY STANDARD ("SAFETY DESIGN"). CUSTOMER SHALL, PRIOR TO USING OR DISTRIBUTING ANY SYSTEMS THAT INCORPORATE PRODUCTS, THOROUGHLY TEST SUCH SYSTEMS FOR SAFETY PURPOSES. USE OF PRODUCTS IN A SAFETY APPLICATION WITHOUT A SAFETY DESIGN IS FULLY AT THE RISK OF CUSTOMER, SUBJECT ONLY TO APPLICABLE LAWS AND REGULATIONS GOVERNING LIMITATIONS ON PRODUCT LIABILITY.

© Copyright 2013–2025 Advanced Micro Devices, Inc. AMD, the AMD Arrow logo, Artix, Kintex, LogiCORE, SelectIO, Spartan, UltraScale, UltraScale+, Virtex, Zynq, and combinations thereof are trademarks of Advanced Micro Devices, Inc. Other product names used in this publication are for identification purposes only and may be trademarks of their respective companies. AMBA, AMBA Designer, Arm, Arm1176JZ-S, CoreSight, Cortex, and PrimeCell are trademarks of Arm in the EU and other countries. DisplayPort™ and the DisplayPort™ logo are trademarks owned by the Video Electronics Standards Association (VESA®) in the United States and other countries. PCI, PCIe, and PCI Express are trademarks of PCI-SIG and used under license. All other trademarks are the property of their respective owners.

## OUR CERTIFICATE

DiGi provide top-quality products and perfect service for customer worldwide through standardization, technological innovation and continuous improvement. DiGi through third-party certification, we strictly control the quality of products and services. Welcome your RFQ to

Email: [Info@DiGi-Electronics.com](mailto:Info@DiGi-Electronics.com)



Tel: +00 852-30501935

RFQ Email: [Info@DiGi-Electronics.com](mailto:Info@DiGi-Electronics.com)

DiGi is a global authorized distributor of electronic components.