

# XCR3128XL-10TQ144C Datasheet

[www.digi-electronics.com](http://www.digi-electronics.com)



XCR3128XL-10TQ144C

<https://www.DiGi-Electronics.com>

|                              |                                     |
|------------------------------|-------------------------------------|
| DiGi Electronics Part Number | XCR3128XL-10TQ144C-DG               |
| Manufacturer                 | <a href="#">AMD</a>                 |
| Manufacturer Product Number  | XCR3128XL-10TQ144C                  |
| Description                  | IC CPLD 128MC 9.1NS 100TQFP         |
| Detailed Description         | Embedded, Integrated Circuits (ICs) |



Tel: +00 852-30501935

RFQ Email: [Info@DiGi-Electronics.com](mailto:Info@DiGi-Electronics.com)

DiGi is a global authorized distributor of electronic components.

## Purchase and inquiry

Manufacturer Product Number:

XCR3128XL-10TQ144C

Series:

CoolRunner XPLA3

DiGi-Electronics Programmable:

Not Verified

Delay Time tpd(1) Max:

9.1 ns

Number of Logic Elements/Blocks:

8

Number of Gates:

3000

Operating Temperature:

0°C ~ 70°C (TA)

Package / Case:

100-LQFP

Base Product Number:

XCR3128

Manufacturer:

AMD

Product Status:

Last Time Buy

Programmable Type:

In System Programmable (min 1K program/erase cycles)

Voltage Supply - Internal:

3V ~ 3.6V

Number of Macrocells:

128

Number of I/O:

108

Mounting Type:

Surface Mount

Supplier Device Package:

100-TQFP (14x14)

## Environmental & Export classification

RoHS Status:

RoHS non-compliant

REACH Status:

REACH Unaffected

HTSUS:

8542.39.0001

Moisture Sensitivity Level (MSL):

3 (168 Hours)

ECCN:

EAR99



## XCR3128XL 128 Macrocell CPLD

DS016 (v2.6) March 31, 2006

Product Specification

### Features

- Low power 3.3V 128 macrocell CPLD
- 5.5 ns pin-to-pin logic delays
- System frequencies up to 175 MHz
- 128 macrocells with 3,000 usable gates
- Available in small footprint packages
  - 144-pin TQFP (108 user I/O pins)
  - 144-ball CS BGA (108 user I/O)
  - 100-pin VQFP (84 user I/O)
- Optimized for 3.3V systems
  - Ultra low power operation
  - Typical Standby Current of 17  $\mu$ A at 25° C
  - 5V tolerant I/O pins with 3.3V core supply
  - Advanced 0.35 micron five layer metal EEPROM process
  - Fast Zero Power™ (FZP) CMOS design technology
  - 3.3V PCI electrical specification compatible outputs (no internal clamp diode on any input or I/O)
- Advanced system features
  - In-system programming
  - Input registers
  - Predictable timing model
  - Up to 23 available clocks per function block
  - Excellent pin retention during design changes
  - Full IEEE Standard 1149.1 boundary-scan (JTAG)
  - Four global clocks
  - Eight product term control terms per function block
- Fast ISP programming times
- Port Enable pin for additional I/O
- 2.7V to 3.6V supply voltage at industrial temperature range
- Programmable slew rate control per output
- Security bit prevents unauthorized access
- Refer to XPLA3 family data sheet ([DS012](#)) for architecture description

### Description

The CoolRunner™ XPLA3 XCR3128XL device is a 3.3V 128 macrocell CPLD targeted at power sensitive designs that require leading edge programmable logic solutions. A total of eight function blocks provide 3,000 usable gates. Pin-to-pin propagation delays are as fast as 5.5 ns with a maximum system frequency of 175 MHz.

### TotalCMOS Design Technique for Fast Zero Power

CoolRunner XPLA3 CPLDs offer a TotalCMOS™ solution, both in process technology and design technique. Xilinx employs a cascade of CMOS gates to implement its sum of products instead of the traditional sense amp approach. This CMOS gate implementation allows Xilinx CPLDs to offer devices that are both high performance and low power, breaking the paradigm that to have low power, you must have low performance. Refer to [Figure 1](#) or [Figure 2](#) and [Table 1](#) or [Table 2](#) showing the  $I_{CC}$  vs. Frequency of the XCR3128XL TotalCMOS CPLD (data taken with eight resettable up/down, 16-bit counters at 3.3V, 25°C).

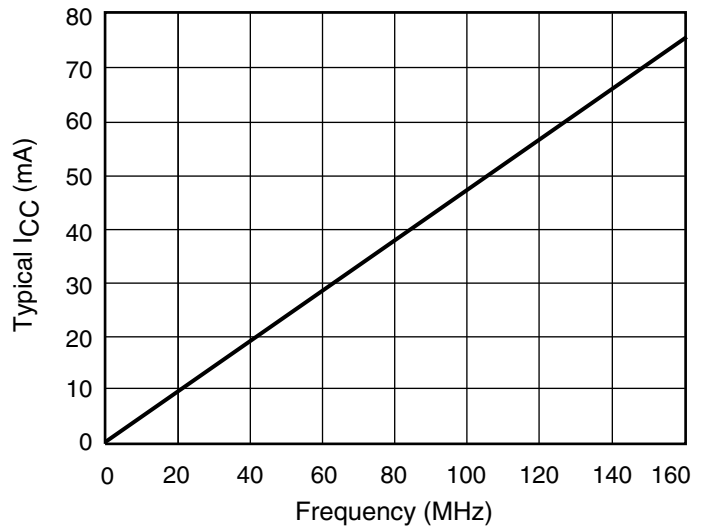


Figure 1: Typical  $I_{CC}$  vs. Frequency at  $V_{CC} = 3.3V, 25^{\circ}C$

Table 1: Typical  $I_{CC}$  vs. Frequency at  $V_{CC} = 3.3V, 25^{\circ}C$

| Frequency (MHz)       | 0     | 1   | 5    | 10   | 20   | 40   | 60   | 80   | 100  | 120  | 140  | 160  |
|-----------------------|-------|-----|------|------|------|------|------|------|------|------|------|------|
| Typical $I_{CC}$ (mA) | 0.017 | 0.5 | 2.48 | 4.97 | 9.89 | 19.7 | 29.5 | 39.1 | 48.7 | 58.0 | 67.3 | 76.8 |

## DC Electrical Characteristics Over Recommended Operating Conditions<sup>(1)</sup>

| Symbol           | Parameter                              | Test Conditions                              | Typical | Min.               | Max. | Unit    |
|------------------|--|--|---------|--------------------|------|---------|
| $V_{OH}^{(2)}$   | Output High voltage                    | $V_{CC} = 3.0V$ to $3.6V$ , $I_{OH} = -8$ mA |         | 2.4                | -    | V       |
|                  |  | $V_{CC} = 2.7V$ to $3.0V$ , $I_{OH} = -8$ mA |         | 2.0                | -    | V       |
|                  |  | $I_{OH} = -500$ $\mu A$                      |         | 90% $V_{CC}^{(3)}$ | -    | V       |
| $V_{OL}$         | Output Low voltage for 3.3V outputs    | $I_{OL} = 8$ mA                              |         | -                  | 0.4  | V       |
| $I_{IL}$         | Input leakage current                  | $V_{IN} = GND$ or $V_{CC}$ to 5.5V           |         | -10                | 10   | $\mu A$ |
| $I_{IH}$         | I/O High-Z leakage current             | $V_{IN} = GND$ or $V_{CC}$ to 5.5V           |         | -10                | 10   | $\mu A$ |
| $I_{CCSB}^{(7)}$ | Standby current                        | $V_{CC} = 3.6V$                              | 29      | -                  | 100  | $\mu A$ |
| $I_{CC}$         | Dynamic current <sup>(4,5)</sup>       | $f = 1$ MHz                                  |         | -                  | 1    | mA      |
|                  |  | $f = 50$ MHz                                 |         | -                  | 30   | mA      |
| $C_{IN}$         | Input pin capacitance <sup>(6)</sup>   | $f = 1$ MHz                                  |         | -                  | 8    | pF      |
| $C_{CLK}$        | Clock input capacitance <sup>(6)</sup> | $f = 1$ MHz                                  |         | -                  | 12   | pF      |
| $C_{I/O}$        | I/O pin capacitance <sup>(6)</sup>     | $f = 1$ MHz                                  |         | -                  | 10   | pF      |

### Notes:

1. See the CoolRunner XPLA3 family data sheet ([DS012](#)) for recommended operating conditions.
2. See [Figure 2](#) for output drive characteristics of the XPLA3 family.
3. This parameter guaranteed by design and characterization, not by testing.
4. See [Table 1](#), Figure 1 for typical values.
5. This parameter measured with a 16-bit, resettable up/down counter loaded into every function block, with all outputs disabled and unloaded. Inputs are tied to  $V_{CC}$  or ground. This parameter guaranteed by design and characterization, not testing.
6. Typical values, not tested.
7. Typical value at 70° C.

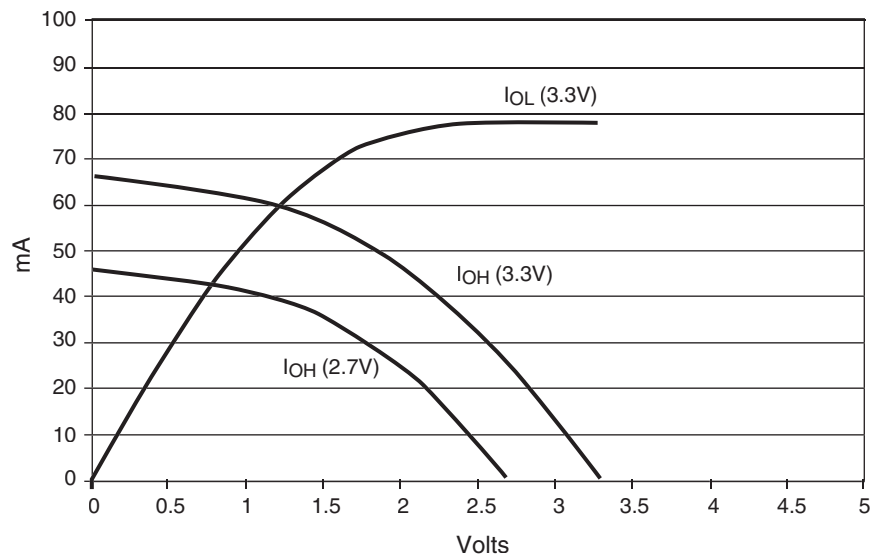


Figure 2: Typical I/V Curve for the CoolRunner XPLA3 Family, 25°C

## AC Electrical Characteristics Over Recommended Operating Conditions<sup>(1,2)</sup>

| Symbol             | Parameter   | -6   |      | -7   |      | -10  |      | Unit    |
|--------------------|---|------|------|------|------|------|------|---------|
|                    |   | Min. | Max. | Min. | Max. | Min. | Max. |         |
| $T_{PD1}$          | Propagation delay time (single p-term)              | -    | 5.5  | -    | 7.0  | -    | 9.1  | ns      |
| $T_{PD2}$          | Propagation delay time (OR array) <sup>(3)</sup>    | -    | 6.0  | -    | 7.5  | -    | 10.0 | ns      |
| $T_{CO}$           | Clock to output (global synchronous pin clock)      | -    | 4.0  | -    | 5.0  | -    | 6.5  | ns      |
| $T_{SUF}$          | Setup time (fast input register)                    | 2.5  | -    | 3.0  | -    | 3.0  | -    | ns      |
| $T_{SU1}^{(4)}$    | Setup time (single p-term)                          | 3.5  | -    | 4.3  | -    | 5.4  | -    | ns      |
| $T_{SU2}$          | Setup time (OR array)                               | 4.0  | -    | 4.8  | -    | 6.3  | -    | ns      |
| $T_H^{(4)}$        | Hold time   | 0    | -    | 0    | -    | 0    | -    | ns      |
| $T_{WLH}^{(4)}$    | Global Clock pulse width (High or Low)              | 2.5  | -    | 3.0  | -    | 4.0  | -    | ns      |
| $T_{PLH}^{(4)}$    | P-term clock pulse width                            | 4.0  | -    | 5.0  | -    | 6.0  | -    | ns      |
| $T_{APRPW}$        | Asynchronous preset/reset pulse width (High or Low) | 4.0  | -    | 5.0  | -    | 6.0  | -    | ns      |
| $T_R^{(4)}$        | Input rise time                                     | -    | 20   | -    | 20   | -    | 20   | ns      |
| $T_L^{(4)}$        | Input fall time                                     | -    | 20   | -    | 20   | -    | 20   | ns      |
| $f_{SYSTEM}^{(4)}$ | Maximum system frequency                            | -    | 175  | -    | 119  | -    | 95   | MHz     |
| $T_{CONFIG}^{(4)}$ | Configuration time <sup>(5)</sup>                   | -    | 100  | -    | 100  | -    | 100  | $\mu$ s |
| $T_{INIT}^{(4)}$   | ISP initialization time                             | -    | 100  | -    | 100  | -    | 100  | $\mu$ s |
| $T_{POE}^{(4)}$    | P-term OE to output enabled                         | -    | 7.5  | -    | 9.3  | -    | 11.2 | ns      |
| $T_{POD}^{(4)}$    | P-term OE to output disabled <sup>(6)</sup>         | -    | 7.5  | -    | 9.3  | -    | 11.2 | ns      |
| $T_{PCO}^{(4)}$    | P-term clock to output                              | -    | 7.0  | -    | 8.3  | -    | 10.7 | ns      |
| $T_{PAO}^{(4)}$    | P-term set/reset to output valid                    | -    | 8.0  | -    | 9.3  | -    | 11.2 | ns      |

### Notes:

1. Specifications measured with one output switching.
2. See the CoolRunner XPLA3 family data sheet ([DS012](#)) for recommended operating conditions.
3. See [Figure 6](#) for derating.
4. These parameters guaranteed by design and/or characterization, not testing.
5. Typical current draw during configuration is 9 mA at 3.6V.
6. Output  $C_L = 5$  pF.

## Internal Timing Parameters<sup>(1,2)</sup>

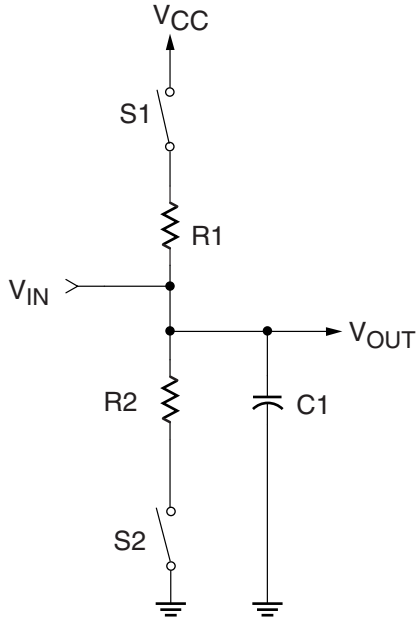
| Symbol  | Parameter                          | -6   |      | -7   |      | -10  |      | Unit |
|---|------------------------------------|------|------|------|------|------|------|------|
|   |                                    | Min. | Max. | Min. | Max. | Min. | Max. |      |
| <b>Buffer Delays</b>                              |                                    |      |      |      |      |      |      |      |
| $T_{IN}$  | Input buffer delay                 | -    | 1.3  | -    | 1.6  | -    | 2.2  | ns   |
| $T_{FIN}$   | Fast Input buffer delay            | -    | 2.3  | -    | 3.0  | -    | 3.1  | ns   |
| $T_{GCK}$   | Global Clock buffer delay          | -    | 0.8  | -    | 1.0  | -    | 1.3  | ns   |
| $T_{OUT}$   | Output buffer delay                | -    | 2.2  | -    | 2.7  | -    | 3.6  | ns   |
| $T_{EN}$  | Output buffer enable/disable delay | -    | 4.2  | -    | 5.0  | -    | 5.7  | ns   |
| <b>Internal Register and Combinatorial Delays</b> |                                    |      |      |      |      |      |      |      |
| $T_{LDI}$   | Latch transparent delay            | -    | 1.3  | -    | 1.6  | -    | 2.0  | ns   |
| $T_{SUI}$   | Register setup time                | 1.0  | -    | 1.0  | -    | 1.2  | -    | ns   |
| $T_{HI}$  | Register hold time                 | 0.3  | -    | 0.5  | -    | 0.7  | -    | ns   |

| Symbol                 | Parameter                            | -6   |      | -7   |      | -10  |      | Unit |
|------------------------|--------------------------------------|------|------|------|------|------|------|------|
|                        |                                      | Min. | Max. | Min. | Max. | Min. | Max. |      |
| T <sub>ECSU</sub>      | Register clock enable setup time     | 2.0  | -    | 2.5  | -    | 3.0  | -    | ns   |
| T <sub>ECHO</sub>      | Register clock enable hold time      | 3.0  | -    | 4.5  | -    | 5.5  | -    | ns   |
| T <sub>COI</sub>       | Register clock to output delay       | -    | 1.0  | -    | 1.3  | -    | 1.6  | ns   |
| T <sub>AOI</sub>       | Register async. S/R to output delay  | -    | 2.5  | -    | 2.3  | -    | 2.1  | ns   |
| T <sub>RAI</sub>       | Register async. recovery             | -    | 4.0  | -    | 5.0  | -    | 6.0  | ns   |
| T <sub>PTCK</sub>      | Product term clock delay             | -    | 2.5  | -    | 2.7  | -    | 3.3  | ns   |
| T <sub>LOGI1</sub>     | Internal logic delay (single p-term) | -    | 2.0  | -    | 2.7  | -    | 3.3  | ns   |
| T <sub>LOGI2</sub>     | Internal logic delay (PLA OR term)   | -    | 2.5  | -    | 3.2  | -    | 4.2  | ns   |
| <b>Feedback Delays</b> |                                      |      |      |      |      |      |      |      |
| T <sub>F</sub>         | ZIA delay                            | -    | 1.2  | -    | 2.9  | -    | 3.5  | ns   |
| <b>Time Adders</b>     |                                      |      |      |      |      |      |      |      |
| T <sub>LOGI3</sub>     | Fold-back NAND delay                 | -    | 2.0  | -    | 2.5  | -    | 3.0  | ns   |
| T <sub>UDA</sub>       | Universal delay                      | -    | 1.7  | -    | 2.2  | -    | 2.7  | ns   |
| T <sub>SLEW</sub>      | Slew rate limited delay              | -    | 4.0  | -    | 5.0  | -    | 6.0  | ns   |

**Notes:**

1. These parameters guaranteed by design and/or characterization, not testing.
2. See the CoolRunner XPLA family data sheet ([DS012](#)) for timing model.

## Switching Characteristics



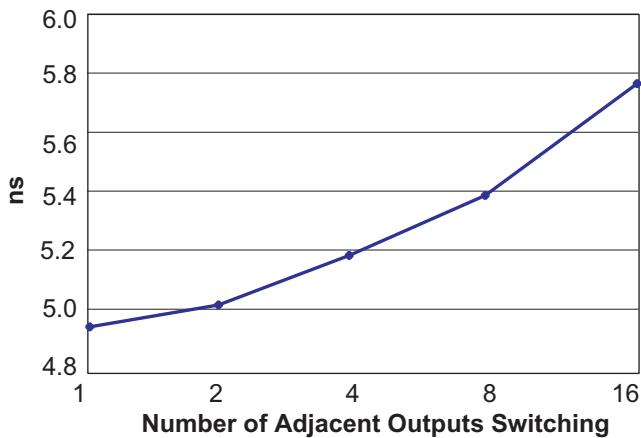
| Component | Values |
|-----------|--------|
| R1        | 390Ω   |
| R2        | 390Ω   |
| C1        | 35 pF  |

| Measurement             | S1     | S2     |
|-------------------------|--------|--------|
| T <sub>POE</sub> (High) | Open   | Closed |
| T <sub>POE</sub> (Low)  | Closed | Open   |
| T <sub>P</sub>          | Closed | Closed |

**Note:** For T<sub>POD</sub>, C1 = 5 pF. Delay measured at output level of V<sub>OL</sub> + 300 mV, V<sub>OH</sub> - 300 mV.

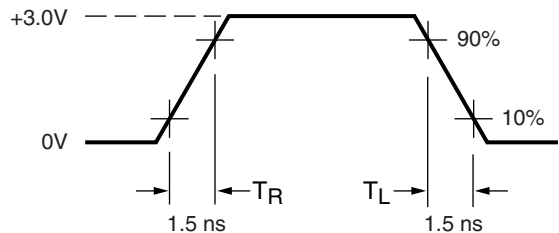
DS016\_03\_102401

Figure 3: AC Load Circuit



DS016\_04a\_120902

Figure 4: Derating Curve for T<sub>PD2</sub>



**Measurements:**  
All circuit delays are measured at the +1.5V level of inputs and outputs, unless otherwise specified.

DS016\_05\_042800

Figure 5: Voltage Waveform

## Pin Descriptions

Table 2: XCR3128XL User I/O Pins

|                     | VQ100 | CS144 | TQ144 |
|---------------------|-------|-------|-------|
| Total User I/O Pins | 84    | 108   | 108   |

Table 3: XCR3128XL I/O Pins

| Function Block | Macrocell | VQ100             | CS144              | TQ144              |
|----------------|-----------|-------------------|--------------------|--------------------|
| 1              | 1         | -                 | B12                | 106                |
| 1              | 2         | 73 <sup>(1)</sup> | D11 <sup>(1)</sup> | 104 <sup>(1)</sup> |
| 1              | 3         | 72                | D12                | 102                |
| 1              | 4         | 71                | D13                | 101                |
| 1              | 5         | 70                | E10                | 100                |
| 1              | 6         | 69                | E11                | 99                 |
| 1              | 7         | 68                | E12                | 98                 |
| 1              | 8         | -                 | -                  | -                  |
| 1              | 9         | -                 | -                  | -                  |
| 1              | 10        | -                 | -                  | -                  |
| 1              | 11        | 67                | E13                | 97                 |
| 1              | 12        | -                 | F10                | 96                 |
| 1              | 13        | 65                | F12                | 94                 |
| 1              | 14        | 64                | F13                | 93                 |
| 1              | 15        | 63                | G10                | 92                 |
| 1              | 16        | -                 | G11                | 91                 |
| 2              | 1         | 75                | A13                | 107                |
| 2              | 2         | 76                | A12                | 109                |
| 2              | 3         | 77                | B11                | 110                |
| 2              | 4         | 78                | A11                | 111                |
| 2              | 5         | 79                | D10                | 112                |
| 2              | 6         | 80                | C10                | 113                |
| 2              | 7         | 81                | B10                | 114                |
| 2              | 8         | -                 | -                  | -                  |
| 2              | 9         | -                 | -                  | -                  |
| 2              | 10        | -                 | -                  | -                  |
| 2              | 11        | 83                | D9                 | 116                |
| 2              | 12        | 84                | C9                 | 117                |
| 2              | 13        | 85                | B9                 | 118                |
| 2              | 14        | -                 | A9                 | 119                |
| 2              | 15        | -                 | D8                 | 120                |
| 2              | 16        | -                 | C8                 | 121                |

Table 3: XCR3128XL I/O Pins (Continued)

| Function Block | Macrocell | VQ100             | CS144              | TQ144             |
|----------------|-----------|-------------------|--------------------|-------------------|
| 3              | 1         | -                 | G13                | 90                |
| 3              | 2         | 62 <sup>(1)</sup> | G12 <sup>(1)</sup> | 89 <sup>(1)</sup> |
| 3              | 3         | 61                | H13                | 88                |
| 3              | 4         | 60                | H12                | 87                |
| 3              | 5         | -                 | H11                | 86                |
| 3              | 6         | 58                | J13                | 84                |
| 3              | 7         | 57                | J12                | 83                |
| 3              | 8         | -                 | -                  | -                 |
| 3              | 9         | -                 | -                  | -                 |
| 3              | 10        | -                 | -                  | -                 |
| 3              | 11        | 56                | J11                | 82                |
| 3              | 12        | 55                | J10                | 81                |
| 3              | 13        | 54                | K13                | 80                |
| 3              | 14        | 53                | K12                | 79                |
| 3              | 15        | 52                | K11                | 78                |
| 3              | 16        | -                 | K10                | 77                |
| 4              | 1         | -                 | M8                 | 60                |
| 4              | 2         | 40                | L8                 | 61                |
| 4              | 3         | 41                | K8                 | 62                |
| 4              | 4         | 42                | N9                 | 63                |
| 4              | 5         | 44                | L9                 | 65                |
| 4              | 6         | 45                | K9                 | 66                |
| 4              | 7         | 46                | N10                | 67                |
| 4              | 8         | -                 | -                  | -                 |
| 4              | 9         | -                 | -                  | -                 |
| 4              | 10        | -                 | -                  | -                 |
| 4              | 11        | 47                | M10                | 68                |
| 4              | 12        | 48                | L10                | 69                |
| 4              | 13        | 49                | N11                | 70                |
| 4              | 14        | 50                | M11                | 71                |
| 4              | 15        | -                 | L11                | 72                |
| 4              | 16        | -                 | M12                | 74                |
| 5              | 1         | 2                 | A1                 | 1                 |
| 5              | 2         | 1                 | A2                 | 143               |
| 5              | 3         | 100               | C3                 | 142               |
| 5              | 4         | 99                | B3                 | 141               |
| 5              | 5         | 98                | A3                 | 140               |

**Table 3: XCR3128XL I/O Pins (Continued)**

| Function Block | Macrocell | VQ100            | CS144             | TQ144            |
|----------------|-----------|------------------|-------------------|------------------|
| 5              | 6         | 97               | C4                | 139              |
| 5              | 7         | 96               | B4                | 138              |
| 5              | 8         | -                | -                 | -                |
| 5              | 9         | -                | -                 | -                |
| 5              | 10        | -                | -                 | -                |
| 5              | 11        | -                | A4                | 137              |
| 5              | 12        | -                | D5                | 136              |
| 5              | 13        | 94               | B5                | 134              |
| 5              | 14        | 93               | A5                | 133              |
| 5              | 15        | 92               | D6                | 132              |
| 5              | 16        | -                | C6                | 131              |
| 6              | 1         | -                | B1                | 2                |
| 6              | 2         | 4 <sup>(1)</sup> | D2 <sup>(1)</sup> | 4 <sup>(1)</sup> |
| 6              | 3         | 5                | D1                | 5                |
| 6              | 4         | 6                | E4                | 6                |
| 6              | 5         | 7                | E3                | 7                |
| 6              | 6         | 8                | E2                | 8                |
| 6              | 7         | 9                | E1                | 9                |
| 6              | 8         | -                | -                 | -                |
| 6              | 9         | -                | -                 | -                |
| 6              | 10        | -                | -                 | -                |
| 6              | 11        | 10               | F4                | 10               |
| 6              | 12        | -                | F3                | 11               |
| 6              | 13        | -                | F2                | 12               |
| 6              | 14        | 12               | G2                | 14               |
| 6              | 15        | 13               | G1                | 15               |
| 6              | 16        | 14               | G3                | 16               |
| 7              | 1         | -                | N7                | 56               |
| 7              | 2         | 37               | M7                | 55               |
| 7              | 3         | 36               | N6                | 54               |
| 7              | 4         | 35               | M6                | 53               |
| 7              | 5         | 33               | M5                | 46               |
| 7              | 6         | 32               | L5                | 45               |
| 7              | 7         | 31               | K5                | 44               |
| 7              | 8         | -                | -                 | -                |
| 7              | 9         | -                | -                 | -                |
| 7              | 10        | -                | -                 | -                |

**Table 3: XCR3128XL I/O Pins (Continued)**

| Function Block | Macrocell | VQ100             | CS144             | TQ144             |
|----------------|-----------|-------------------|-------------------|-------------------|
| 7              | 11        | 30                | N4                | 42                |
| 7              | 12        | 29                | M4                | 41                |
| 7              | 13        | 28                | L4                | 40                |
| 7              | 14        | 27                | K4                | 39                |
| 7              | 15        | -                 | N3                | 38                |
| 7              | 16        | -                 | M3                | 37                |
| 8              | 1         | -                 | H1                | 18                |
| 8              | 2         | 15 <sup>(1)</sup> | H2 <sup>(1)</sup> | 20 <sup>(1)</sup> |
| 8              | 3         | 16                | H3                | 21                |
| 8              | 4         | 17                | H4                | 22                |
| 8              | 5         | -                 | J1                | 23                |
| 8              | 6         | 19                | J3                | 25                |
| 8              | 7         | 20                | J4                | 26                |
| 8              | 8         | -                 | -                 | -                 |
| 8              | 9         | -                 | -                 | -                 |
| 8              | 10        | -                 | -                 | -                 |
| 8              | 11        | 21                | K1                | 27                |
| 8              | 12        | 22                | K2                | 28                |
| 8              | 13        | 23                | K3                | 29                |
| 8              | 14        | 24                | L1                | 30                |
| 8              | 15        | 25                | M2                | 31                |
| 8              | 16        | -                 | N1                | 32                |

**Notes:**

1. JTAG pins

Table 4: XCR3128XL Global, JTAG, Port Enable, Power, and No Connect Pins

| Pin Type   | VQ100                               | CS144  | TQ144  |
|------------|-------------------------------------|--|--|
| IN0 / CLK0 | 90                                  | D7   | 128  |
| IN1 / CLK1 | 89                                  | C7   | 127  |
| IN2 / CLK2 | 88                                  | A7   | 126  |
| IN3 / CLK3 | 87                                  | B7   | 125  |
| TCK        | 62                                  | G12  | 89   |
| TDI        | 4                                   | D2   | 4  |
| TDO        | 73                                  | D11  | 104  |
| TMS        | 15                                  | H2   | 20   |
| PORT_EN    | 11 <sup>(1)</sup>                   | F1 <sup>(1)</sup>  | 13 <sup>(1)</sup>  |
| Vcc        | 3, 18, 34,<br>39, 51, 66,<br>82, 91 | A10, B2, B6,<br>B8, D4, F11,<br>J2, K6, K7,<br>L13, N5,<br>N12 | 24, 50, 51,<br>58, 73, 76,<br>95, 115,<br>123, 130,<br>144 |

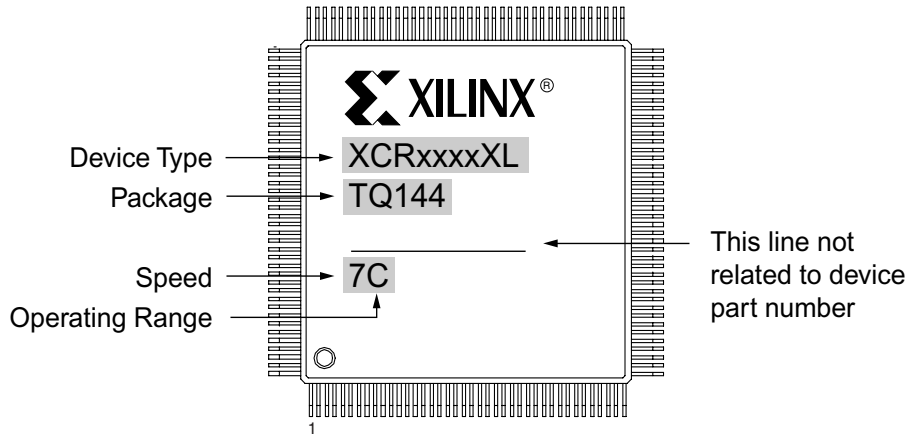
Table 4: XCR3128XL Global, JTAG, Port Enable, Power, and No Connect Pins

| Pin Type    | VQ100                            | CS144  | TQ144   |
|-------------|----------------------------------|--|---|
| GND         | 26, 38, 43,<br>59, 74, 86,<br>95 | A6, A8, C5,<br>C13, D3,<br>G4, H10,<br>L6, L7, M9,<br>N2, N8 | 3, 17, 33,<br>52, 57, 59,<br>64, 85, 105,<br>124, 129,<br>135 |
| No Connects | -                                | B13, C1,<br>C2, C11,<br>C12, L2, L3,<br>L12, M1,<br>M13, N13 | 19, 34, 35,<br>36, 43, 47,<br>48, 49, 75,<br>103, 108,<br>122 |

**Notes:**

1. Port Enable is brought High to enable JTAG pins when JTAG pins are used as I/O. See family data sheet ([DS012](#)) for full explanation.

## Device Part Marking and Ordering Combination Information



Sample package with part marking.

| Device Ordering and Part Marking Number | Speed (pin-to-pin delay) | Pkg. Symbol | No. of Pins | Package Type                                | Operating Range <sup>(1)</sup> |
|---|--------------------------|-------------|-------------|---|--------------------------------|
| XCR3128XL-6VQ100C                       | 6 ns                     | VQ100       | 100         | Very Thin Quad Flat Package (VQFP)          | C                              |
| XCR3128XL-6VQG100C                      | 6 ns                     | VQG100      | 100         | Very Thin Quad Flat Package (VQFP); Pb-Free | C                              |
| XCR3128XL-6CS144C                       | 6 ns                     | CS144       | 144         | Chip Scale Package (CSP)                    | C                              |
| XCR3128XL-6CSG144C                      | 6 ns                     | CSG144      | 144         | Chip Scale Package (CSP); Pb-Free           | C                              |
| XCR3128XL-6TQ144C                       | 6 ns                     | TQ144       | 144         | Thin Quad Flat Pack (TQFP)                  | C                              |
| XCR3128XL-6TQG144C                      | 6 ns                     | TQG144      | 144         | Thin Quad Flat Pack (TQFP); Pb-Free         | C                              |
| XCR3128XL-7VQ100C                       | 7.5 ns                   | VQ100       | 100         | Very Thin Quad Flat Package (VQFP)          | C                              |
| XCR3128XL-7VQG100C                      | 7.5 ns                   | VQG100      | 100         | Very Thin Quad Flat Package (VQFP); Pb-Free | C                              |
| XCR3128XL-7CS144C                       | 7.5 ns                   | CS144       | 144         | Chip Scale Package (CSP)                    | C                              |
| XCR3128XL-7CSG144C                      | 7.5 ns                   | CSG144      | 144         | Chip Scale Package (CSP); Pb-Free           | C                              |
| XCR3128XL-7TQ144C                       | 7.5 ns                   | TQ144       | 144         | Thin Quad Flat Pack (TQFP)                  | C                              |
| XCR3128XL-7TQG144C                      | 7.5 ns                   | TQG144      | 144         | Thin Quad Flat Pack (TQFP); Pb-Free         | C                              |
| XCR3128XL-7VQ100I                       | 7.5 ns                   | VQ100       | 100         | Very Thin Quad Flat Package (VQFP)          | I                              |
| XCR3128XL-7VQG100I                      | 7.5 ns                   | VQG100      | 100         | Very Thin Quad Flat Package (VQFP); Pb-Free | I                              |
| XCR3128XL-7CS144I                       | 7.5 ns                   | CS144       | 144         | Chip Scale Package (CSP)                    | I                              |
| XCR3128XL-7CSG144I                      | 7.5 ns                   | CSG144      | 144         | Chip Scale Package (CSP); Pb-Free           | I                              |
| XCR3128XL-7TQ144I                       | 7.5 ns                   | TQ144       | 144         | Thin Quad Flat Pack (TQFP)                  | I                              |
| XCR3128XL-7TQG144I                      | 7.5 ns                   | TQG144      | 144         | Thin Quad Flat Pack (TQFP); Pb-Free         | I                              |
| XCR3128XL-10VQ100C                      | 10 ns                    | VQ100       | 100         | Very Thin Quad Flat Package (VQFP)          | C                              |
| XCR3128XL-10VQG100C                     | 10 ns                    | VQG100      | 100         | Very Thin Quad Flat Package (VQFP); Pb-Free | C                              |
| XCR3128XL-10CS144C                      | 10 ns                    | CS144       | 144         | Chip Scale Package (CSP)                    | C                              |
| XCR3128XL-10CSG144C                     | 10 ns                    | CSG144      | 144         | Chip Scale Package (CSP); Pb-Free           | C                              |
| XCR3128XL-10TQ144C                      | 10 ns                    | TQ144       | 144         | Thin Quad Flat Pack (TQFP)                  | C                              |
| XCR3128XL-10TQG144C                     | 10 ns                    | TQG144      | 144         | Thin Quad Flat Pack (TQFP); Pb-Free         | C                              |

| Device Ordering and Part Marking Number | Speed (pin-to-pin delay) | Pkg. Symbol | No. of Pins | Package Type                                | Operating Range <sup>(1)</sup> |
|---|--------------------------|-------------|-------------|---|--------------------------------|
| XCR3128XL-10VQ100I                      | 10 ns                    | VQ100       | 100         | Very Thin Quad Flat Package (VQFP)          | I                              |
| XCR3128XL-10VQG100I                     | 10 ns                    | VQG100      | 100         | Very Thin Quad Flat Package (VQFP); Pb-Free | I                              |
| XCR3128XL-10CS144I                      | 10 ns                    | CS144       | 144         | Chip Scale Package (CSP)                    | I                              |
| XCR3128XL-10CSG144I                     | 10 ns                    | CSG144      | 144         | Chip Scale Package (CSP); Pb-Free           | I                              |
| XCR3128XL-10TQ144I                      | 10 ns                    | TQ144       | 144         | Thin Quad Flat Pack (TQFP)                  | I                              |
| XCR3128XL-10TQG144I                     | 10 ns                    | TQG144      | 144         | Thin Quad Flat Pack (TQFP); Pb-Free         | I                              |

**Notes:**

1. C = Commercial:  $T_A = 0^\circ$  to  $+70^\circ\text{C}$ ; I = Industrial:  $T_A = -40^\circ$  to  $+85^\circ\text{C}$

## Warranty Disclaimer

THESE PRODUCTS ARE SUBJECT TO THE TERMS OF THE XILINX LIMITED WARRANTY WHICH CAN BE VIEWED AT <http://www.xilinx.com/warranty.htm>. THIS LIMITED WARRANTY DOES NOT EXTEND TO ANY USE OF THE PRODUCTS IN AN APPLICATION OR ENVIRONMENT THAT IS NOT WITHIN THE SPECIFICATIONS STATED ON THE THEN-CURRENT XILINX DATA SHEET FOR THE PRODUCTS. PRODUCTS ARE NOT DESIGNED TO BE FAIL-SAFE AND ARE NOT WARRANTED FOR USE IN APPLICATIONS THAT POSE A RISK OF PHYSICAL HARM OR LOSS OF LIFE. USE OF PRODUCTS IN SUCH APPLICATIONS IS FULLY AT THE RISK OF CUSTOMER SUBJECT TO APPLICABLE LAWS AND REGULATIONS.

## Additional Information

[CoolRunner XPLA3 Data Sheets and Application Notes](#)

[Device Package User Guide](#)

[Device Packages](#)

## Revision History

The following table shows the revision history for this document.

| Date     | Version | Revision  |
|----------|---------|---|
| 04/07/00 | 1.0     | Initial Xilinx release.   |
| 05/03/00 | 1.1     | Minor updates and added Boundary Scan to pinout table.  |
| 11/20/00 | 1.2     | Updated pinout tables; corrected note in <a href="#">Table 4</a> to read: "port enable pin is brought High".  |
| 12/08/00 | 1.3     | Updated pinout tables.  |
| 01/17/01 | 1.4     | Removed Timing Model.   |
| 04/11/01 | 1.5     | Added Typical I/V curve, <a href="#">Figure 2</a> ; added <a href="#">Table 2</a> : Total User I/O; changed $V_{OH}$ spec.  |
| 04/19/01 | 1.6     | Updated Typical I/V curve, <a href="#">Figure 2</a> : added voltage levels.   |
| 08/10/01 | 1.7     | Moved <a href="#">Figure 1</a> and <a href="#">Table 1</a> to first page. Changed VQ144 to VQ100 in <a href="#">Table 2</a> .   |
| 01/08/02 | 1.8     | Updated $T_{SUF}$ and $T_{FIN}$ spec to match software timing. Added single p-term setup time ( $T_{SU1}$ ) to AC Table, renamed $T_{SU}$ to $T_{SU2}$ for setup time through the OR array. Added $T_{INIT}$ spec. Updated $T_{CONFIG}$ spec. Updated $T_{HI}$ spec to correct a typo. Updated AC Load Circuit diagram to more closely resemble true test conditions, added note for $T_{POD}$ delay measurement. |
| 01/27/03 | 1.9     | Updated product availability and AC/DC parameters for -6 Commercial and -7 Industrial devices. Updated $T_{PCO}$ (added $T_{PTCK}$ ), $T_{CONFIG}$ , $T_{INIT}$ , $T_F$ . Updated $I_{CC}$ vs. Frequency Curve for -6 device; updated system frequency to 175 MHz; removed Advance Information from -6 device; updated Derating Curve for -6 device. Updated Ordering Information format.                         |

| Date     | Version | Revision   |
|----------|---------|--|
| 07/15/03 | 2.0     | Updated test conditions for $I_{IL}$ and $I_{IH}$ .  |
| 08/21/03 | 2.1     | Updated Package Device Marking Pin 1 orientation.  |
| 02/13/04 | 2.2     | Added soldering temperature. Added links to application notes and data sheets.   |
| 07/09/04 | 2.3     | Updated the following specifications based on characterization of product after move to UMC fabrication for all family members: $V_{OH}$ , $T_{LOGI3}$ . Deleted derating curve for $T_{PD2}$ for MOSIV fabricated material. |
| 11/11/04 | 2.4     | Moved from Preliminary Product Specification to Product Specification.   |
| 04/08/05 | 2.5     | Added $I_{CCSB}$ Typical and $T_{APRPW}$ specifications. Removed $T_{SOL}$ specification.  |
| 03/31/06 | 2.6     | Added Warranty Disclaimer. Added Pb-Free information to ordering table.  |

## OUR CERTIFICATE

DiGi provide top-quality products and perfect service for customer worldwide through standardization, technological innovation and continuous improvement. DiGi through third-party certification, we stricly control the quality of products and services. Welcome your RFQ to

Email: [Info@DiGi-Electronics.com](mailto:Info@DiGi-Electronics.com)



Tel: +00 852-30501935

RFQ Email: [Info@DiGi-Electronics.com](mailto:Info@DiGi-Electronics.com)

DiGi is a global authorized distributor of electronic components.