

# XCR3384XL-10FTG256I Datasheet

[www.digi-electronics.com](http://www.digi-electronics.com)



XCR3384XL-10FTG256I

<https://www.DiGi-Electronics.com>

|                              |                                     |
|------------------------------|-------------------------------------|
| DiGi Electronics Part Number | XCR3384XL-10FTG256I-DG              |
| Manufacturer                 | <a href="#">AMD</a>                 |
| Manufacturer Product Number  | XCR3384XL-10FTG256I                 |
| Description                  | IC CPLD 384MC 9NS 256FTBGA          |
| Detailed Description         | Embedded, Integrated Circuits (ICs) |



Tel: +00 852-30501935

RFQ Email: [Info@DiGi-Electronics.com](mailto:Info@DiGi-Electronics.com)

DiGi is a global authorized distributor of electronic components.

## Purchase and inquiry

Manufacturer Product Number:

XCR3384XL-10FTG256I

Series:

CoolRunner XPLA3

DiGi-Electronics Programmable:

Not Verified

Delay Time tpd(1) Max:

9 ns

Number of Logic Elements/Blocks:

24

Number of Gates:

9000

Operating Temperature:

-40°C ~ 85°C (TA)

Package / Case:

256-LBGA

Base Product Number:

XCR3384

Manufacturer:

AMD

Product Status:

Last Time Buy

Programmable Type:

In System Programmable (min 1K program/erase cycles)

Voltage Supply - Internal:

2.7V ~ 3.6V

Number of Macrocells:

384

Number of I/O:

212

Mounting Type:

Surface Mount

Supplier Device Package:

256-FTBGA (17x17)

## Environmental & Export classification

RoHS Status:

ROHS3 Compliant

REACH Status:

REACH Unaffected

HTSUS:

8542.39.0001

Moisture Sensitivity Level (MSL):

3 (168 Hours)

ECCN:

3A991D



# XCR3384XL: 384 Macrocell CPLD

DS024 (v2.1) April 13, 2023

Product Specification

## Features

- Low power 3.3V 384 macrocell CPLD
- 7.0 ns pin-to-pin logic delays
- System frequencies up to 135 MHz
- 384 macrocells with 9,000 usable gates
- Available in small footprint packages
  - 144-pin TQFP (118 user I/O)
  - 208-pin PQFP (172 user I/O)
  - 256-ball FBGA (212 user I/O)
  - 324-ball FBGA (220 user I/O)
- Optimized for 3.3V systems
  - Ultra low power operation
  - Typical Standby Current of 18  $\mu$ A at 25° C
  - 5V tolerant I/O pins with 3.3V core supply
  - Advanced 0.35 micron five layer metal EEPROM process
  - Fast Zero Power™ (FZP) CMOS design technology
  - 3.3V PCI electrical specification compatible outputs (no internal clamp diode on any input or I/O)
- Advanced system features
  - In-system programming
  - Input registers
  - Predictable timing model
  - Up to 23 clocks available per function block
  - Excellent pin retention during design changes
  - Full IEEE Standard 1149.1 boundary-scan (JTAG)
  - Four global clocks
  - Eight product term control terms per function block
- Fast ISP programming times
- Port Enable pin for additional I/O
- 2.7V to 3.6V supply voltage at industrial grade voltage range
- Programmable slew rate control per output
- Security bit prevents unauthorized access
- Refer to CoolRunner™ XPLA3 family data sheet ([DS012](#)) for architecture description

AMD is creating an environment where employees, customers, and partners feel welcome and included. To that end, we're removing noninclusive language from our products and related collateral. We've launched an internal initiative to remove language that could exclude people or reinforce historical biases, including terms embedded in our software and IPs. You may still find examples of non-inclusive language in our older products as we work to make these changes and align with evolving industry standards. Follow this [link](#) for more information.

DS024 (v2.1) April 13, 2023

Product Specification

[Send Feedback](#)

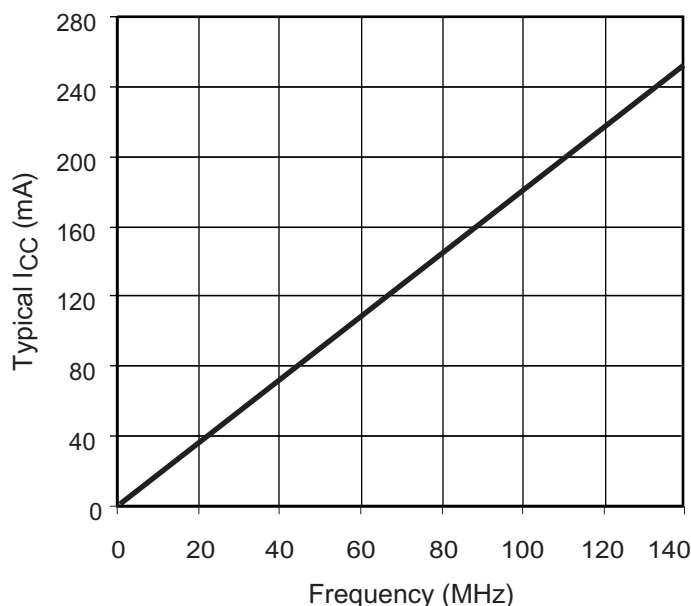


## Description

The CoolRunner™ XPLA3 XCR3384XL device is a 3.3V, 384 macrocell CPLD targeted at power sensitive designs that require leading edge programmable logic solutions. A total of 24 function blocks provide 9,000 usable gates. Pin-to-pin propagation delays are as fast as 7.0 ns with a maximum system frequency of 135 MHz.

## TotalCMOS Design Technique for Fast Zero Power

CoolRunner XPLA3 CPLDs offer a TotalCMOS™ solution, both in process technology and design technique. These CPLDs employ a cascade of CMOS gates to implement their sum of products, instead of the traditional sense amp approach. This CMOS gate implementation allows AMD to offer CPLDs that are both high performance and low power, breaking the paradigm that to have low power, you must have low performance. Refer to [Figure 1](#) and [Table 1](#) showing the  $I_{CC}$  vs. Frequency of our XCR3384XL TotalCMOS CPLD (data taken with 24 resettable up/down, 16-bit counters at 3.3V, 25°C).



DS024\_01\_061802

Figure 1: Typical  $I_{CC}$  vs. Frequency at  $V_{CC} = 3.3V$ , 25°C

Table 1: Typical  $I_{CC}$  vs. Frequency at  $V_{CC} = 3.3V$ , 25°C

| Frequency (MHz)       | 0     | 1   | 10   | 20   | 40   | 60    | 80    | 100   | 120   | 140   |
|-----------------------|-------|-----|------|------|------|-------|-------|-------|-------|-------|
| Typical $I_{CC}$ (mA) | 0.018 | 2.2 | 24.4 | 42.4 | 82.6 | 123.0 | 155.6 | 187.8 | 227.5 | 258.1 |

Table 2: DC Electrical Characteristics Over Recommended Operating Conditions<sup>(1)</sup>

| Symbol           | Parameter                              | Test Conditions                              | Typical | Min                | Max | Unit    |
|------------------|--|--|---------|--------------------|-----|---------|
| $V_{OH}^{(2)}$   | Output High voltage                    | $V_{CC} = 3.0V$ to $3.6V$ , $I_{OH} = -8$ mA | –       | 2.4                | –   | V       |
|                  |  | $V_{CC} = 2.7V$ to $3.0V$ , $I_{OH} = -8$ mA | –       | 2.0                | –   | V       |
|                  |  | $I_{OH} = -500$ $\mu A$                      | –       | 90% $V_{CC}^{(3)}$ | –   | V       |
| $V_{OL}$         | Output Low voltage                     | $I_{OL} = 8$ mA                              | –       | –                  | 0.4 | V       |
| $I_{IL}$         | Input leakage current                  | $V_{IN} = GND$ or $V_{CC}$ to 5.5V           | –       | –10                | 10  | $\mu A$ |
| $I_{IH}$         | I/O High-Z leakage current             | $V_{IN} = GND$ or $V_{CC}$ to 5.5V           | –       | –10                | 10  | $\mu A$ |
| $I_{CCSB}^{(7)}$ | Standby current                        | $V_{CC} = 3.6V$                              | 31.5    | –                  | 100 | $\mu A$ |
| $I_{CC}$         | Dynamic current <sup>(4)(5)</sup>      | $f = 1$ MHz                                  | –       | –                  | 5   | mA      |
|                  |  | $f = 50$ MHz                                 | –       | –                  | 140 | mA      |
| $C_{IN}$         | Input pin capacitance <sup>(6)</sup>   | $f = 1$ MHz                                  | –       | –                  | 8   | pF      |
| $C_{CLK}$        | Clock input capacitance <sup>(6)</sup> | $f = 1$ MHz                                  | –       | –                  | 12  | pF      |
| $C_{I/O}$        | I/O pin capacitance <sup>(6)</sup>     | $f = 1$ MHz                                  | –       | –                  | 10  | pF      |

**Notes:**

1. See the CoolRunner XPLA3 family data sheet (DS012) for recommended operating conditions
2. See Figure 2 for output drive characteristics of the CoolRunner XPLA3 family.
3. This parameter guaranteed by design and characterization, not by testing.
4. See Table 1, Figure 1 for typical values.
5. This parameter measured with a 16-bit, resettable up/down counter loaded into every function block, with all outputs disabled and unloaded. Inputs are tied to  $V_{CC}$  or ground. This parameter guaranteed by design and characterization, not testing.
6. Typical values, not tested.
7. Typical value at 70° C.

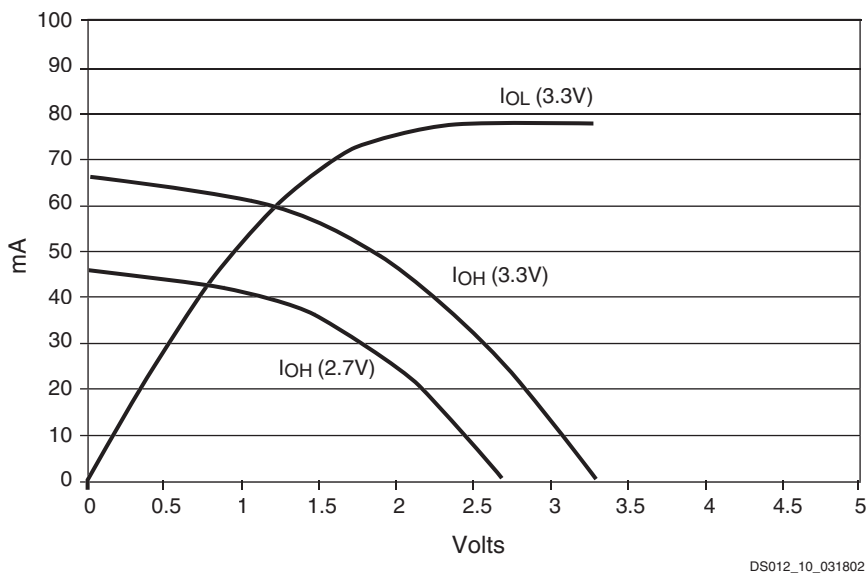


Figure 2: Typical I/V Curve for the CoolRunner XPLA3 Family, 25°C



# AC Electrical Characteristics Over Recommended Operating Conditions

Table 3: AC Electrical Characteristics Over Recommended Operating Conditions<sup>(1)(2)</sup>

| Symbol                             | Parameter   | -7  |     | -10 |      | -12 |      | Unit |
|------------------------------------|---|-----|-----|-----|------|-----|------|------|
|                                    |   | Min | Max | Min | Max  | Min | Max  |      |
| T <sub>PD1</sub>                   | Propagation delay time (single p-term)              | –   | 7.0 | –   | 9.0  | –   | 10.8 | ns   |
| T <sub>PD2</sub>                   | Propagation delay time (OR array) <sup>(3)</sup>    | –   | 7.5 | –   | 10.0 | –   | 12.0 | ns   |
| T <sub>CO</sub>                    | Clock to output (global synchronous pin clock)      | –   | 4.5 | –   | 5.8  | –   | 6.9  | ns   |
| T <sub>SUF</sub>                   | Setup time (fast input register)                    | 2.5 | –   | 3.0 | –    | 3.0 | –    | ns   |
| T <sub>SU1</sub>                   | Setup time (single p-term)                          | 4.3 | –   | 5.5 | –    | 6.7 | –    | ns   |
| T <sub>SU2</sub>                   | Setup time (OR array)                               | 4.8 | –   | 6.5 | –    | 7.9 | –    | ns   |
| T <sub>H</sub> <sup>(4)</sup>      | Hold time   | 0   | –   | 0   | –    | 0   | –    | ns   |
| T <sub>WLH</sub> <sup>(4)</sup>    | Global Clock pulse width (High or Low)              | 3.0 | –   | 4.0 | –    | 5.0 | –    | ns   |
| T <sub>PLH</sub> <sup>(4)</sup>    | P-term clock pulse width                            | 4.5 | –   | 6.0 | –    | 7.5 | –    | ns   |
| T <sub>APRPW</sub>                 | Asynchronous preset/reset pulse width (High or Low) | 4.5 | –   | 6.0 | –    | 7.5 | –    | ns   |
| T <sub>R</sub> <sup>(4)</sup>      | Input rise time                                     | –   | 20  | –   | 20   | –   | 20   | ns   |
| T <sub>L</sub> <sup>(4)</sup>      | Input fall time                                     | –   | 20  | –   | 20   | –   | 20   | ns   |
| f <sub>SYSTEM</sub> <sup>(4)</sup> | Maximum system frequency                            | –   | 135 | –   | 102  | –   | 83   | MHz  |
| T <sub>CONFIG</sub> <sup>(4)</sup> | Configuration time <sup>(5)</sup>                   | –   | 200 | –   | 200  | –   | 200  | μs   |
| T <sub>INIT</sub> <sup>(4)</sup>   | ISP initialization time                             | –   | 200 | –   | 200  | –   | 200  | μs   |
| T <sub>POE</sub> <sup>(4)</sup>    | P-term OE to output enabled                         | –   | 9.0 | –   | 11.0 | –   | 13.0 | ns   |
| T <sub>POD</sub> <sup>(4)</sup>    | P-term OE to output disabled <sup>(6)</sup>         | –   | 9.0 | –   | 11.0 | –   | 13.0 | ns   |
| T <sub>PCO</sub> <sup>(4)</sup>    | P-term clock to output                              | –   | 8.0 | –   | 10.3 | –   | 12.4 | ns   |
| T <sub>PAO</sub> <sup>(4)</sup>    | P-term set/reset to output valid                    | –   | 9.0 | –   | 11.0 | –   | 13.0 | ns   |

## Notes:

1. Specifications measured with one output switching.
2. See the CoolRunner XPLA3 family data sheet ([DS012](#)) for recommended operating conditions.
3. See [Figure 4](#) for derating.
4. These parameters guaranteed by design and/or characterization, not testing.
5. Typical current draw during configuration is 13 mA at 3.6V.
6. Output C<sub>L</sub> = 5 pF.



## Internal Timing Parameters

Table 4: Internal Timing Parameters<sup>(1)(2)</sup>

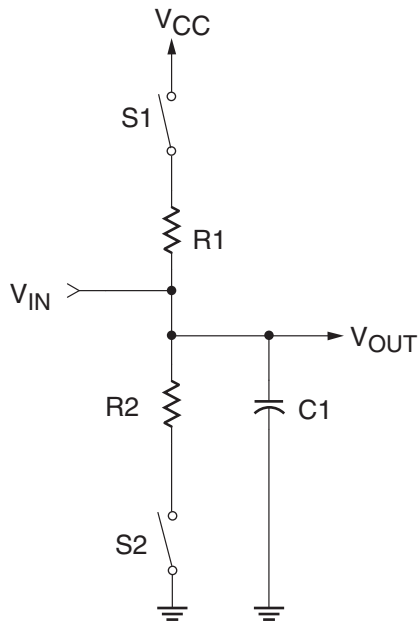
| Symbol  | Parameter                            | -7  |     | -10 |     | -12 |     | Unit |
|---|--------------------------------------|-----|-----|-----|-----|-----|-----|------|
|   |                                      | Min | Max | Min | Max | Min | Max |      |
| <b>Buffer Delays</b>                              |                                      |     |     |     |     |     |     |      |
| $T_{IN}$  | Input buffer delay                   | –   | 2.5 | –   | 3.3 | –   | 4.0 | ns   |
| $T_{FIN}$   | Fast input buffer delay              | –   | 2.7 | –   | 3.3 | –   | 3.3 | ns   |
| $T_{GCK}$   | Global clock buffer delay            | –   | 1.0 | –   | 1.3 | –   | 1.5 | ns   |
| $T_{OUT}$   | Output buffer delay                  | –   | 2.5 | –   | 3.2 | –   | 3.8 | ns   |
| $T_{EN}$  | Output buffer enable/disable delay   | –   | 4.5 | –   | 5.2 | –   | 6.0 | ns   |
| <b>Internal Register and Combinatorial Delays</b> |                                      |     |     |     |     |     |     |      |
| $T_{LDI}$   | Latch transparent delay              | –   | 1.3 | –   | 1.6 | –   | 2.0 | ns   |
| $T_{SUI}$   | Register setup time                  | 0.8 | –   | 1.0 | –   | 1.2 | –   | ns   |
| $T_{HI}$  | Register hold time                   | 0.3 | –   | 0.5 | –   | 0.7 | –   | ns   |
| $T_{ECSU}$  | Register clock enable setup time     | 2.0 | –   | 2.5 | –   | 3.0 | –   | ns   |
| $T_{ECHO}$  | Register clock enable hold time      | 3.0 | –   | 4.5 | –   | 5.5 | –   | ns   |
| $T_{COI}$   | Register clock to output delay       | –   | 1.0 | –   | 1.3 | –   | 1.6 | ns   |
| $T_{AOI}$   | Register async. S/R to output delay  | –   | 2.0 | –   | 2.0 | –   | 2.2 | ns   |
| $T_{RAI}$   | Register async. recovery             | –   | 5.0 | –   | 7.0 | –   | 8.0 | ns   |
| $T_{PTCK}$  | Product term clock delay             | –   | 2.0 | –   | 2.5 | –   | 3.0 | ns   |
| $T_{LOGI1}$                                       | Internal logic delay (single p-term) | –   | 2.0 | –   | 2.5 | –   | 3.0 | ns   |
| $T_{LOGI2}$                                       | Internal logic delay (PLA OR term)   | –   | 2.5 | –   | 3.5 | –   | 4.2 | ns   |
| <b>Feedback Delays</b>                            |                                      |     |     |     |     |     |     |      |
| $T_F$   | ZIA delay                            | –   | 3.1 | –   | 4.0 | –   | 5.0 | ns   |
| <b>Time Adders</b>                                |                                      |     |     |     |     |     |     |      |
| $T_{LOGI3}$                                       | Fold-back NAND delay                 | –   | 2.0 | –   | 2.5 | –   | 3.0 | ns   |
| $T_{UDA}$   | Universal delay                      | –   | 2.2 | –   | 2.8 | –   | 3.5 | ns   |
| $T_{SLEW}$  | Slew rate limited delay              | –   | 4.0 | –   | 5.0 | –   | 6.0 | ns   |

### Notes:

1. These parameters guaranteed by design and/or characterization, not testing.
2. See the CoolRunner XPLA3 family data sheet ([DS012](#)) for timing model.



## Switching Characteristics



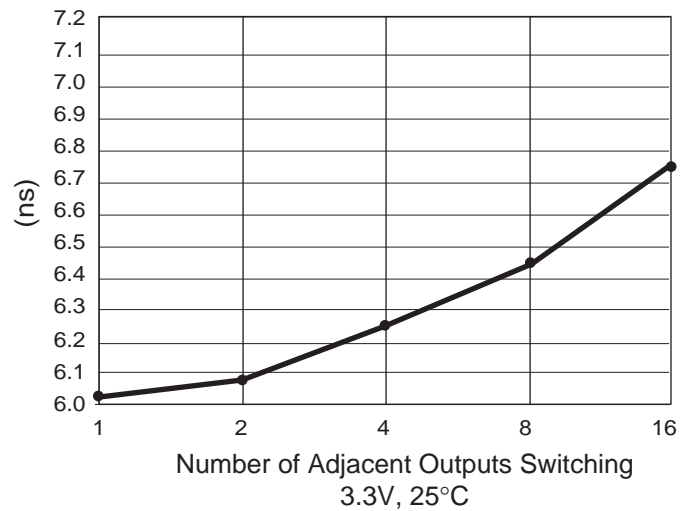
| Component | Values |
|-----------|--------|
| R1        | 390Ω   |
| R2        | 390Ω   |
| C1        | 35 pF  |

| Measurement             | S1     | S2     |
|-------------------------|--------|--------|
| T <sub>POE</sub> (High) | Open   | Closed |
| T <sub>POE</sub> (Low)  | Closed | Open   |
| T <sub>P</sub>          | Closed | Closed |

**Note:** For T<sub>POD</sub>, C1 = 5 pF. Delay measured at output level of V<sub>OL</sub> + 300 mV, V<sub>OH</sub> – 300 mV.

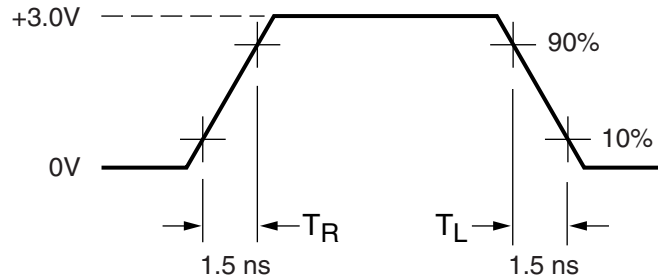
DS023\_03\_102401

Figure 3: AC Load Circuit



DS024\_04\_061802

Figure 4: Derating Curve for T<sub>PD2</sub>

**Measurements:**

All circuit delays are measured at the +1.5V level of inputs and outputs, unless otherwise specified.

DS017\_05\_042800

Figure 5: Voltage Waveform

## Pin Descriptions

Table 5: XCR3384XL User I/O Pins

|                     | TQ144 <sup>(1)</sup> | PQ208 | FT256 | FG324 |
|---------------------|----------------------|-------|-------|-------|
| Total User I/O Pins | 118                  | 172   | 212   | 220   |

**Notes:**

- XCR3384XL TQ144 JTAG pins are not compatible with other members of the CoolRunner XPLA3 family in the TQ144 package.

Table 6: XCR3384XL I/O Pins

| Function Block | Macro-cell | TQ144 <sup>(1)</sup> | PQ208 | FT256 | FG324 |
|----------------|------------|----------------------|-------|-------|-------|
| 1              | 1          | 94                   | –     | E15   | G22   |
| 1              | 2          | –                    | –     | F13   | H20   |
| 1              | 3          | –                    | 13    | E16   | H21   |
| 1              | 4          | –                    | 15    | F14   | J19   |
| 1              | 5          | 93                   | 16    | F15   | J21   |
| 1              | 6          | –                    | –     | –     | –     |
| 1              | 7          | –                    | –     | –     | –     |
| 1              | 8          | –                    | –     | –     | –     |
| 1              | 9          | –                    | –     | –     | –     |
| 1              | 10         | –                    | –     | –     | –     |
| 1              | 11         | –                    | –     | –     | –     |
| 1              | 12         | –                    | –     | –     | –     |
| 1              | 13         | 92                   | 17    | G12   | J22   |
| 1              | 14         | –                    | 18    | G15   | K19   |
| 1              | 15         | –                    | 19    | G13   | K21   |
| 1              | 16         | 91                   | 20    | F16   | K22   |
| 2              | 1          | –                    | 12    | E14   | G21   |
| 2              | 2          | 96                   | 11    | D16   | G19   |
| 2              | 3          | 97                   | 10    | F12   | F22   |
| 2              | 4          | 98                   | 9     | C16   | F21   |



Table 6: XCR3384XL I/O Pins (Continued)

| Function Block | Macro-cell | TQ144 <sup>(1)</sup> | PQ208             | FT256              | FG324              |
|----------------|------------|----------------------|-------------------|--------------------|--------------------|
| 2              | 5          | 99                   | 8                 | E13                | F20                |
| 2              | 6          | –                    | –                 | –                  | –                  |
| 2              | 7          | –                    | –                 | –                  | –                  |
| 2              | 8          | –                    | –                 | –                  | –                  |
| 2              | 9          | –                    | –                 | –                  | –                  |
| 2              | 10         | –                    | –                 | –                  | –                  |
| 2              | 11         | –                    | –                 | –                  | –                  |
| 2              | 12         | –                    | –                 | –                  | –                  |
| 2              | 13         | 100                  | –                 | D15                | E22                |
| 2              | 14         | 101                  | 7                 | D14                | E21                |
| 2              | 15         | 102                  | 6                 | B16                | F19                |
| 2              | 16         | 103                  | –                 | C15                | E20                |
| 3              | 1          | –                    | 21                | G14                | L19                |
| 3              | 2          | –                    | 22                | G16                | L20                |
| 3              | 3          | –                    | –                 | H13                | L21                |
| 3              | 4          | 90                   | –                 | –                  | M20                |
| 3              | 5          | 89                   | 24                | H12                | M19                |
| 3              | 6          | –                    | –                 | –                  | –                  |
| 3              | 7          | –                    | –                 | –                  | –                  |
| 3              | 8          | –                    | –                 | –                  | –                  |
| 3              | 9          | –                    | –                 | –                  | –                  |
| 3              | 10         | –                    | –                 | –                  | –                  |
| 3              | 11         | –                    | –                 | –                  | –                  |
| 3              | 12         | –                    | –                 | –                  | –                  |
| 3              | 13         | –                    | 25                | H15                | M22                |
| 3              | 14         | 88                   | 26                | H14                | N22                |
| 3              | 15         | –                    | 27                | H16                | N21                |
| 3              | 16         | 87                   | 28                | J14                | N19                |
| 4              | 1          | 104                  | 4                 | A16                | D22                |
| 4              | 2          | 106                  | 3                 | E12                | C22                |
| 4              | 3          | 107                  | –                 | –                  | B21                |
| 4              | 4          | 110                  | –                 | C14                | B20                |
| 4              | 5          | 111                  | 207               | D13                | C19                |
| 4              | 6          | –                    | –                 | –                  | –                  |
| 4              | 7          | –                    | –                 | –                  | –                  |
| 4              | 8          | –                    | –                 | –                  | –                  |
| 4              | 9          | –                    | –                 | –                  | –                  |
| 4              | 10         | –                    | –                 | –                  | –                  |
| 4              | 11         | –                    | –                 | –                  | –                  |
| 4              | 12         | –                    | –                 | –                  | –                  |
| 4              | 13         | 112                  | 206               | A15                | B19                |
| 4              | 14         | 113                  | 205               | B15                | A20                |
| 4              | 15         | 114                  | 204               | B14                | C18                |
| 4              | 16         | 116                  | 203               | C13                | B18                |
| 5              | 1          | –                    | 29                | J15                | P22                |
| 5              | 2          | 86 <sup>(1)(2)</sup> | 30 <sup>(2)</sup> | J13 <sup>(2)</sup> | P20 <sup>(2)</sup> |
| 5              | 3          | –                    | 31                | J16                | P19                |
| 5              | 4          | –                    | –                 | L14                | R22                |



Table 6: XCR3384XL I/O Pins (Continued)

| Function Block | Macro-cell | TQ144 <sup>(1)</sup> | PQ208 | FT256 | FG324 |
|----------------|------------|----------------------|-------|-------|-------|
| 5              | 5          | 84                   | –     | K15   | R21   |
| 5              | 6          | –                    | –     | –     | –     |
| 5              | 7          | –                    | –     | –     | –     |
| 5              | 8          | –                    | –     | –     | –     |
| 5              | 9          | –                    | –     | –     | –     |
| 5              | 10         | –                    | –     | –     | –     |
| 5              | 11         | –                    | –     | –     | –     |
| 5              | 12         | –                    | –     | –     | –     |
| 5              | 13         | –                    | 33    | K14   | R20   |
| 5              | 14         | 83                   | 34    | K16   | T22   |
| 5              | 15         | 82                   | 35    | K13   | T21   |
| 5              | 16         | 81                   | 36    | L15   | T20   |
| 6              | 1          | 67                   | 62    | R13   | AA16  |
| 6              | 2          | –                    | 61    | M11   | Y16   |
| 6              | 3          | –                    | 60    | T14   | W16   |
| 6              | 4          | –                    | 59    | N12   | AB17  |
| 6              | 5          | –                    | 58    | R14   | AA17  |
| 6              | 6          | –                    | –     | –     | –     |
| 6              | 7          | –                    | –     | –     | –     |
| 6              | 8          | –                    | –     | –     | –     |
| 6              | 9          | –                    | –     | –     | –     |
| 6              | 10         | –                    | –     | –     | –     |
| 6              | 11         | –                    | –     | –     | –     |
| 6              | 12         | –                    | –     | –     | –     |
| 6              | 13         | –                    | 57    | P13   | AB18  |
| 6              | 14         | –                    | 56    | T15   | AA18  |
| 6              | 15         | 68                   | –     | P14   | W17   |
| 6              | 16         | 69                   | –     | T16   | AA19  |
| 7              | 1          | 80                   | 37    | K12   | T19   |
| 7              | 2          | 79                   | 38    | L16   | U22   |
| 7              | 3          | 78                   | 39    | M15   | U21   |
| 7              | 4          | 77                   | 40    | N15   | U20   |
| 7              | 5          | –                    | –     | L13   | V22   |
| 7              | 6          | –                    | –     | –     | –     |
| 7              | 7          | –                    | –     | –     | –     |
| 7              | 8          | –                    | –     | –     | –     |
| 7              | 9          | –                    | –     | –     | –     |
| 7              | 10         | –                    | –     | –     | –     |
| 7              | 11         | –                    | –     | –     | –     |
| 7              | 12         | –                    | –     | –     | –     |
| 7              | 13         | –                    | –     | M16   | U19   |
| 7              | 14         | –                    | 42    | M14   | V21   |
| 7              | 15         | 75                   | 43    | N16   | V20   |
| 7              | 16         | –                    | 44    | L12   | W22   |
| 8              | 1          | 70                   | 55    | M12   | Y18   |
| 8              | 2          | 71                   | 51    | R15   | AA20  |
| 8              | 3          | 72                   | –     | N13   | Y19   |
| 8              | 4          | –                    | –     | –     | AA21  |



Table 6: XCR3384XL I/O Pins (Continued)

| Function Block | Macro-cell | TQ144 <sup>(1)</sup>  | PQ208              | FT256              | FG324              |
|----------------|------------|-----------------------|--------------------|--------------------|--------------------|
| 8              | 5          | –                     | 49                 | P16                | Y20                |
| 8              | 6          | –                     | –                  | –                  | –                  |
| 8              | 7          | –                     | –                  | –                  | –                  |
| 8              | 8          | –                     | –                  | –                  | –                  |
| 8              | 9          | –                     | –                  | –                  | –                  |
| 8              | 10         | –                     | –                  | –                  | –                  |
| 8              | 11         | –                     | –                  | –                  | –                  |
| 8              | 12         | –                     | –                  | –                  | –                  |
| 8              | 13         | –                     | 48                 | N14                | Y21                |
| 8              | 14         | –                     | 47                 | R16                | W20                |
| 8              | 15         | –                     | 46                 | M13                | W21                |
| 8              | 16         | 74                    | 45                 | P15                | Y22                |
| 9              | 1          | 122                   | 187                | D9                 | C13                |
| 9              | 2          | –                     | 188                | A9                 | D13                |
| 9              | 3          | 121 <sup>(1)(2)</sup> | 189 <sup>(2)</sup> | C10 <sup>(2)</sup> | B14 <sup>(2)</sup> |
| 9              | 4          | –                     | 190                | A10                | C14                |
| 9              | 5          | 120                   | –                  | D10                | D14                |
| 9              | 6          | –                     | –                  | –                  | –                  |
| 9              | 7          | –                     | –                  | –                  | –                  |
| 9              | 8          | –                     | –                  | –                  | –                  |
| 9              | 9          | –                     | –                  | –                  | –                  |
| 9              | 10         | –                     | –                  | –                  | –                  |
| 9              | 11         | –                     | –                  | –                  | –                  |
| 9              | 12         | –                     | –                  | –                  | –                  |
| 9              | 13         | –                     | –                  | B11                | A15                |
| 9              | 14         | –                     | 192                | C11                | B15                |
| 9              | 15         | –                     | 193                | B12                | C15                |
| 9              | 16         | –                     | 194                | E10                | A16                |
| 10             | 1          | –                     | 178                | B8                 | B11                |
| 10             | 2          | –                     | 177                | D8                 | C11                |
| 10             | 3          | 131 <sup>(1)(2)</sup> | 176 <sup>(2)</sup> | A7 <sup>(2)</sup>  | D11 <sup>(2)</sup> |
| 10             | 4          | 132                   | 175                | C8                 | A10                |
| 10             | 5          | –                     | –                  | –                  | B10                |
| 10             | 6          | –                     | –                  | –                  | –                  |
| 10             | 7          | –                     | –                  | –                  | –                  |
| 10             | 8          | –                     | –                  | –                  | –                  |
| 10             | 9          | –                     | –                  | –                  | –                  |
| 10             | 10         | –                     | –                  | –                  | –                  |
| 10             | 11         | –                     | –                  | –                  | –                  |
| 10             | 12         | –                     | –                  | –                  | –                  |
| 10             | 13         | –                     | –                  | C7                 | C10                |
| 10             | 14         | –                     | 173                | B7                 | D10                |
| 10             | 15         | 133                   | 172                | D7                 | A9                 |
| 10             | 16         | 134                   | 171                | A6                 | B9                 |
| 11             | 1          | –                     | –                  | A14                | A19                |
| 11             | 2          | –                     | 202                | E11                | D17                |
| 11             | 3          | –                     | 201                | A13                | A18                |
| 11             | 4          | –                     | –                  | D12                | C17                |



Table 6: XCR3384XL I/O Pins (Continued)

| Function Block | Macro-cell | TQ144 <sup>(1)</sup> | PQ208 | FT256 | FG324 |
|----------------|------------|----------------------|-------|-------|-------|
| 11             | 5          | 117                  | 199   | B13   | B17   |
| 11             | 6          | –                    | –     | –     | –     |
| 11             | 7          | –                    | –     | –     | –     |
| 11             | 8          | –                    | –     | –     | –     |
| 11             | 9          | –                    | –     | –     | –     |
| 11             | 10         | –                    | –     | –     | –     |
| 11             | 11         | –                    | –     | –     | –     |
| 11             | 12         | –                    | –     | –     | –     |
| 11             | 13         | –                    | 198   | C12   | A17   |
| 11             | 14         | –                    | 197   | A12   | D16   |
| 11             | 15         | 118                  | 196   | D11   | C16   |
| 11             | 16         | 119                  | 195   | A11   | B16   |
| 12             | 1          | 139                  | 163   | E6    | D7    |
| 12             | 2          | –                    | 164   | A4    | C7    |
| 12             | 3          | 138                  | –     | C5    | B7    |
| 12             | 4          | 137                  | –     | B5    | A7    |
| 12             | 5          | –                    | 166   | D6    | C8    |
| 12             | 6          | –                    | –     | –     | –     |
| 12             | 7          | –                    | –     | –     | –     |
| 12             | 8          | –                    | –     | –     | –     |
| 12             | 9          | –                    | –     | –     | –     |
| 12             | 10         | –                    | –     | –     | –     |
| 12             | 11         | –                    | –     | –     | –     |
| 12             | 12         | –                    | –     | –     | –     |
| 12             | 13         | 136                  | 167   | A5    | B8    |
| 12             | 14         | –                    | 168   | C6    | A8    |
| 12             | 15         | –                    | 169   | B6    | D9    |
| 12             | 16         | –                    | 170   | E7    | C9    |
| 13             | 1          | 61                   | 70    | N10   | W13   |
| 13             | 2          | –                    | 69    | P11   | AB14  |
| 13             | 3          | 62                   | 68    | M10   | AA14  |
| 13             | 4          | 63                   | 67    | R11   | Y14   |
| 13             | 5          | –                    | 66    | T12   | W14   |
| 13             | 6          | –                    | –     | –     | –     |
| 13             | 7          | –                    | –     | –     | –     |
| 13             | 8          | –                    | –     | –     | –     |
| 13             | 9          | –                    | –     | –     | –     |
| 13             | 10         | –                    | –     | –     | –     |
| 13             | 11         | –                    | –     | –     | –     |
| 13             | 12         | –                    | –     | –     | –     |
| 13             | 13         | –                    | 65    | R12   | AB15  |
| 13             | 14         | 65                   | 64    | N11   | AA15  |
| 13             | 15         | –                    | –     | T13   | Y15   |
| 13             | 16         | 66                   | –     | P12   | AB16  |
| 14             | 1          | –                    | 91    | R6    | AA8   |
| 14             | 2          | 47                   | 92    | M7    | Y8    |
| 14             | 3          | 46                   | 93    | T5    | AB7   |
| 14             | 4          | –                    | –     | T6    | AA7   |



Table 6: XCR3384XL I/O Pins (Continued)

| Function Block | Macro-cell | TQ144 <sup>(1)</sup> | PQ208 | FT256 | FG324 |
|----------------|------------|----------------------|-------|-------|-------|
| 14             | 5          | –                    | –     | R5    | Y7    |
| 14             | 6          | –                    | –     | –     | –     |
| 14             | 7          | –                    | –     | –     | –     |
| 14             | 8          | –                    | –     | –     | –     |
| 14             | 9          | –                    | –     | –     | –     |
| 14             | 10         | –                    | –     | –     | –     |
| 14             | 11         | –                    | –     | –     | –     |
| 14             | 12         | –                    | –     | –     | –     |
| 14             | 13         | 45                   | 95    | N6    | W7    |
| 14             | 14         | 44                   | 96    | T4    | AB6   |
| 14             | 15         | –                    | 97    | P5    | AA6   |
| 14             | 16         | 43                   | 98    | R4    | Y6    |
| 15             | 1          | –                    | –     | T11   | Y13   |
| 15             | 2          | –                    | –     | –     | AA13  |
| 15             | 3          | 60                   | 71    | R10   | AB13  |
| 15             | 4          | –                    | 73    | P10   | W12   |
| 15             | 5          | 56                   | 76    | T10   | AA12  |
| 15             | 6          | –                    | –     | –     | –     |
| 15             | 7          | –                    | –     | –     | –     |
| 15             | 8          | –                    | –     | –     | –     |
| 15             | 9          | –                    | –     | –     | –     |
| 15             | 10         | –                    | –     | –     | –     |
| 15             | 11         | –                    | –     | –     | –     |
| 15             | 12         | –                    | –     | –     | –     |
| 15             | 13         | 55                   | 77    | N9    | AB12  |
| 15             | 14         | –                    | 78    | R9    | Y11   |
| 15             | 15         | –                    | 79    | P9    | AA11  |
| 15             | 16         | 54                   | 80    | T9    | W11   |
| 16             | 1          | –                    | 90    | N7    | AB8   |
| 16             | 2          | 48                   | 89    | T7    | W9    |
| 16             | 3          | –                    | 88    | P6    | Y9    |
| 16             | 4          | 49                   | 87    | R7    | AA9   |
| 16             | 5          | –                    | 86    | P7    | AB9   |
| 16             | 6          | –                    | –     | –     | –     |
| 16             | 7          | –                    | –     | –     | –     |
| 16             | 8          | –                    | –     | –     | –     |
| 16             | 9          | –                    | –     | –     | –     |
| 16             | 10         | –                    | –     | –     | –     |
| 16             | 11         | –                    | –     | –     | –     |
| 16             | 12         | –                    | –     | –     | –     |
| 16             | 13         | –                    | –     | T8    | W10   |
| 16             | 14         | –                    | –     | N8    | Y10   |
| 16             | 15         | –                    | 84    | R8    | AA10  |
| 16             | 16         | 53                   | 81    | P8    | AB11  |
| 17             | 1          | –                    | 147   | E4    | E2    |
| 17             | 2          | –                    | 148   | D1    | F3    |
| 17             | 3          | 6                    | 149   | F5    | F4    |
| 17             | 4          | 5                    | 150   | C2    | D1    |



Table 6: XCR3384XL I/O Pins (Continued)

| Function Block | Macro-cell | TQ144 <sup>(1)</sup> | PQ208 | FT256 | FG324 |
|----------------|------------|----------------------|-------|-------|-------|
| 17             | 5          | 4                    | 151   | D3    | D2    |
| 17             | 6          | –                    | –     | –     | –     |
| 17             | 7          | –                    | –     | –     | –     |
| 17             | 8          | –                    | –     | –     | –     |
| 17             | 9          | –                    | –     | –     | –     |
| 17             | 10         | –                    | –     | –     | –     |
| 17             | 11         | –                    | –     | –     | –     |
| 17             | 12         | –                    | –     | –     | –     |
| 17             | 13         | –                    | –     | C1    | E3    |
| 17             | 14         | –                    | –     | –     | C2    |
| 17             | 15         | 2                    | 153   | B1    | B2    |
| 17             | 16         | 1                    | 154   | B2    | D3    |
| 18             | 1          | 7                    | 146   | D2    | E1    |
| 18             | 2          | 8                    | 145   | E3    | F2    |
| 18             | 3          | 9                    | 144   | E1    | G4    |
| 18             | 4          | 10                   | –     | F4    | G3    |
| 18             | 5          | –                    | –     | F1    | G2    |
| 18             | 6          | –                    | –     | –     | –     |
| 18             | 7          | –                    | –     | –     | –     |
| 18             | 8          | –                    | –     | –     | –     |
| 18             | 9          | –                    | –     | –     | –     |
| 18             | 10         | –                    | –     | –     | –     |
| 18             | 11         | –                    | –     | –     | –     |
| 18             | 12         | –                    | –     | –     | –     |
| 18             | 13         | –                    | 142   | G5    | H3    |
| 18             | 14         | –                    | 141   | E2    | H2    |
| 18             | 15         | 11                   | 140   | F3    | H1    |
| 18             | 16         | 12                   | 139   | F2    | J4    |
| 19             | 1          | –                    | 155   | C3    | C4    |
| 19             | 2          | 143                  | 156   | D4    | B4    |
| 19             | 3          | –                    | –     | A2    | C5    |
| 19             | 4          | 142                  | –     | A1    | B5    |
| 19             | 5          | 141                  | 158   | B3    | A4    |
| 19             | 6          | –                    | –     | –     | –     |
| 19             | 7          | –                    | –     | –     | –     |
| 19             | 8          | –                    | –     | –     | –     |
| 19             | 9          | –                    | –     | –     | –     |
| 19             | 10         | –                    | –     | –     | –     |
| 19             | 11         | –                    | –     | –     | –     |
| 19             | 12         | –                    | –     | –     | –     |
| 19             | 13         | –                    | 159   | C4    | D6    |
| 19             | 14         | –                    | 160   | A3    | A5    |
| 19             | 15         | 140                  | 161   | D5    | C6    |
| 19             | 16         | –                    | 162   | B4    | B6    |
| 20             | 1          | 14                   | 138   | G4    | J3    |
| 20             | 2          | –                    | 137   | G1    | J2    |
| 20             | 3          | –                    | 136   | G3    | K4    |
| 20             | 4          | 15                   | 135   | H1    | K3    |



Table 6: XCR3384XL I/O Pins (Continued)

| Function Block | Macro-cell | TQ144 <sup>(1)</sup> | PQ208              | FT256             | FG324             |
|----------------|------------|----------------------|--------------------|-------------------|-------------------|
| 20             | 5          | –                    | –                  | H4                | K2                |
| 20             | 6          | –                    | –                  | –                 | –                 |
| 20             | 7          | –                    | –                  | –                 | –                 |
| 20             | 8          | –                    | –                  | –                 | –                 |
| 20             | 9          | –                    | –                  | –                 | –                 |
| 20             | 10         | –                    | –                  | –                 | –                 |
| 20             | 11         | –                    | –                  | –                 | –                 |
| 20             | 12         | –                    | –                  | –                 | –                 |
| 20             | 13         | –                    | –                  | G2                | K1                |
| 20             | 14         | 16                   | 133                | H3                | L4                |
| 20             | 15         | –                    | 132                | J1                | L3                |
| 20             | 16         | 18                   | 131                | J3                | L2                |
| 21             | 1          | –                    | 99                 | M6                | AB5               |
| 21             | 2          | –                    | 100                | T3                | W6                |
| 21             | 3          | 42                   | 101                | N5                | AB4               |
| 21             | 4          | 41                   | 102                | R3                | AA5               |
| 21             | 5          | –                    | 103                | P4                | Y5                |
| 21             | 6          | –                    | –                  | –                 | –                 |
| 21             | 7          | –                    | –                  | –                 | –                 |
| 21             | 8          | –                    | –                  | –                 | –                 |
| 21             | 9          | –                    | –                  | –                 | –                 |
| 21             | 10         | –                    | –                  | –                 | –                 |
| 21             | 11         | –                    | –                  | –                 | –                 |
| 21             | 12         | –                    | –                  | –                 | –                 |
| 21             | 13         | 40                   | 104                | T2                | AA4               |
| 21             | 14         | 39                   | –                  | –                 | AB3               |
| 21             | 15         | 38                   | –                  | R2                | Y4                |
| 21             | 16         | 37                   | 106                | N4                | AA3               |
| 22             | 1          | 19                   | –                  | H2                | M2                |
| 22             | 2          | –                    | 130                | J5                | M3                |
| 22             | 3          | 20                   | 129                | J2                | M4                |
| 22             | 4          | 21                   | 128                | J4                | N1                |
| 22             | 5          | 22 <sup>(1)(2)</sup> | 127 <sup>(2)</sup> | K1 <sup>(2)</sup> | N2 <sup>(2)</sup> |
| 22             | 6          | –                    | –                  | –                 | –                 |
| 22             | 7          | –                    | –                  | –                 | –                 |
| 22             | 8          | –                    | –                  | –                 | –                 |
| 22             | 9          | –                    | –                  | –                 | –                 |
| 22             | 10         | –                    | –                  | –                 | –                 |
| 22             | 11         | –                    | –                  | –                 | –                 |
| 22             | 12         | –                    | –                  | –                 | –                 |
| 22             | 13         | 23                   | 126                | K3                | N3                |
| 22             | 14         | –                    | –                  | –                 | N4                |
| 22             | 15         | –                    | 124                | K2                | P1                |
| 22             | 16         | 25                   | 123                | L1                | P2                |
| 23             | 1          | 36                   | 108                | M5                | AA2               |
| 23             | 2          | –                    | 109                | P2                | Y3                |
| 23             | 3          | –                    | 110                | P3                | Y2                |
| 23             | 4          | –                    | 111                | T1                | W3                |



Table 6: XCR3384XL I/O Pins (Continued)

| Function Block | Macro-cell | TQ144 <sup>(1)</sup> | PQ208 | FT256 | FG324 |
|----------------|------------|----------------------|-------|-------|-------|
| 23             | 5          | –                    | –     | N3    | W2    |
| 23             | 6          | –                    | –     | –     | –     |
| 23             | 7          | –                    | –     | –     | –     |
| 23             | 8          | –                    | –     | –     | –     |
| 23             | 9          | –                    | –     | –     | –     |
| 23             | 10         | –                    | –     | –     | –     |
| 23             | 11         | –                    | –     | –     | –     |
| 23             | 12         | –                    | –     | –     | –     |
| 23             | 13         | –                    | –     | R1    | W1    |
| 23             | 14         | 35                   | 112   | M4    | V3    |
| 23             | 15         | –                    | 113   | P1    | U4    |
| 23             | 16         | –                    | 114   | L5    | V2    |
| 24             | 1          | 26                   | 122   | K4    | P3    |
| 24             | 2          | 27                   | 121   | L3    | P4    |
| 24             | 3          | 28                   | 120   | K5    | R1    |
| 24             | 4          | 29                   | 119   | M1    | R2    |
| 24             | 5          | 30                   | –     | L2    | R3    |
| 24             | 6          | –                    | –     | –     | –     |
| 24             | 7          | –                    | –     | –     | –     |
| 24             | 8          | –                    | –     | –     | –     |
| 24             | 9          | –                    | –     | –     | –     |
| 24             | 10         | –                    | –     | –     | –     |
| 24             | 11         | –                    | –     | –     | –     |
| 24             | 12         | –                    | –     | –     | –     |
| 24             | 13         | 31                   | 118   | M2    | T2    |
| 24             | 14         | 32                   | 117   | L4    | T3    |
| 24             | 15         | –                    | –     | M3    | U2    |
| 24             | 16         | 34                   | 115   | N2    | U3    |

**Notes:**

1. XCR3384XL TQ144 JTAG pins are not compatible with other members of the CoolRunner XPLA3 family in the TQ144 package.
2. JTAG pins.



Table 7: XCR3384XL Global, JTAG, Port Enable, Power, and No Connect Pins

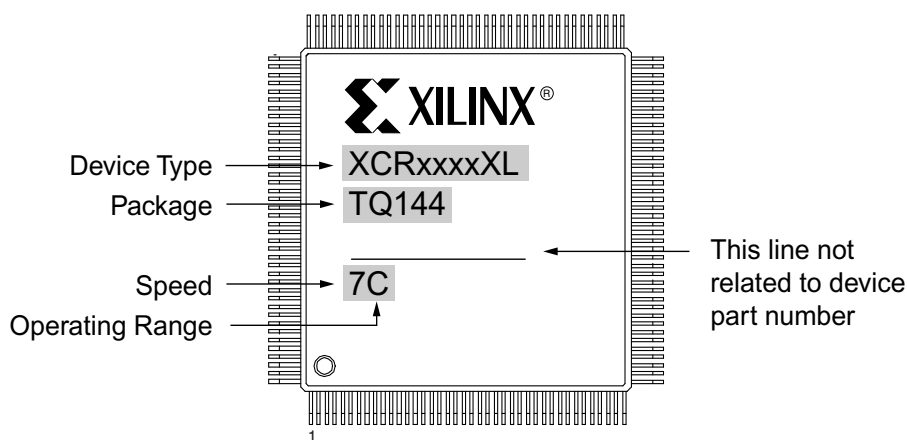
| Pin Type        | TQ144 <sup>(1)</sup>                               | PQ208  | FT256   | FG324  |
|-----------------|--|--|---|--|
| INO / CLK0      | 128  | 181  | B9  | C12  |
| IN1 / CLK1      | 127  | 182  | A8  | B12  |
| IN2 / CLK2      | 126  | 183  | C9  | D12  |
| IN3 / CLK3      | 125  | 184  | B10   | A12  |
| TCK             | 86 <sup>(1)</sup>                                  | 30   | J13   | P20  |
| TDI             | 131 <sup>(1)</sup>                                 | 176  | A7  | D11  |
| TDO             | 121 <sup>(1)</sup>                                 | 189  | C10   | B14  |
| TMS             | 22 <sup>(1)</sup>                                  | 127  | K1  | N2   |
| PORT_EN         | 33 <sup>(2)</sup>                                  | 116 <sup>(2)</sup>   | N1 <sup>(2)</sup>   | T4 <sup>(2)</sup>  |
| V <sub>CC</sub> | 24, 50, 51, 58, 73, 76, 95, 115, 123, 130, 144     | 5, 23, 41, 63, 74, 83, 85, 107, 125, 143, 165, 179, 186, 191 | E8, E9, F7, F8, F9, F10, G6, G11, H5, H6, H11, J6, J11, J12, K6, K11, L7, L8, L9, L10, M8, M9 | A11, A13, D8, D15, H4, H19, J10, J11, J12, J13, K9, K14, L9, L14, M1, M9, M14, N9, N14, N20, P10, P11, P12, P13, R4, R19, W8, W15, Y12, AB10   |
| GND             | 3, 13, 17, 52, 57, 59, 64, 85, 105, 124, 129, 135, | 14, 32, 50, 72, 75, 82, 94, 134, 152, 174, 180, 185, 200     | E5, F6, F11, G7, G8, G9, G10, H7, H8, H9, H10, J7, J8, J9, J10, K7, K8, K9, K10, L6, L11      | D4, D5, D18, D19, E4, E19, J9, J14, K10, K11, K12, K13, L10, L11, L12, L13, M10, M11, M12, M13, N10, N11, N12, N13, P9, P14, V4, V19, W4, W5, W18, W19   |
| No Connects     | 108, 109   | 1, 2, 52, 53, 54, 105, 157, 208                              | –   | A1, A2, A3, A6, A14, A21, A22, B1, B3, B13, B22, C1, C3, C20, C21, D20, D21, F1, G1, G20, H22, J1, J20, K20, L1, L22, M21, P21, T1, U1, V1, Y1, Y17, AA1, AA22, AB1, AB2, AB19, AB20, AB21, AB22 |

**Notes:**

1. XCR3384XL TQ144 JTAG pins are not compatible with other members of the CoolRunner XPLA3 family in the TQ144 package.
2. Port Enable is brought High to enable JTAG pins when JTAG pins are used as I/O. See family data sheet (DS012) for full explanation.



## Device Part Marking and Ordering Combination Information



Sample package with part marking.

| Device Ordering and Part Marking Number | Speed (pin-to-pin delay) | Package Symbol | No. of Pins | Package Type                           | Operating Range <sup>(1)</sup> |
|---|--------------------------|----------------|-------------|--|--------------------------------|
| XCR3384XL-7TQ144C                       | 7.5 ns                   | TQ144          | 144-pin     | Thin Quad Flat Pack (TQFP)             | C                              |
| XCR3384XL-7TQG144C                      | 7.5 ns                   | TQG144         | 144-pin     | Thin Quad Flat Pack (TQFP); Pb-Free    | C                              |
| XCR3384XL-7PQ208C <sup>(2)</sup>        | 7.5 ns                   | PQ208          | 208-pin     | Plastic Quad Flat Pack (PQFP)          | C                              |
| XCR3384XL-7PQG208C <sup>(2)</sup>       | 7.5 ns                   | PQG208         | 208-pin     | Plastic Quad Flat Pack (PQFP); Pb-Free | C                              |
| XCR3384XL-7FT256C                       | 7.5 ns                   | FT256          | 256-ball    | Fine-Pitch BGA (FT)                    | C                              |
| XCR3384XL-7FTG256C                      | 7.5 ns                   | FTG256         | 256-ball    | Fine-Pitch BGA (FTG); Pb-Free          | C                              |
| XCR3384XL-7FG324C <sup>(3)</sup>        | 7.5 ns                   | FG324          | 324-ball    | Fineline BGA Package (FG)              | C                              |
| XCR3384XL-10TQ144C                      | 10 ns                    | TQ144          | 144-pin     | Thin Quad Flat Pack (TQFP)             | C                              |
| XCR3384XL-10TQG144C                     | 10 ns                    | TQG144         | 144-pin     | Thin Quad Flat Pack (TQFP); Pb-Free    | C                              |
| XCR3384XL-10PQ208C <sup>(2)</sup>       | 10 ns                    | PQ208          | 208-pin     | Plastic Quad Flat Pack (PQFP)          | C                              |
| XCR3384XL-10POG208C <sup>(2)</sup>      | 10 ns                    | PQG208         | 208-pin     | Plastic Quad Flat Pack (PQFP); Pb-Free | C                              |
| XCR3384XL-10FT256C                      | 10 ns                    | FT256          | 256-ball    | Fine-Pitch BGA (FT)                    | C                              |
| XCR3384XL-10FTG256C                     | 10 ns                    | FTG256         | 256-ball    | Fine-Pitch BGA (FTG); Pb-Free          | C                              |
| XCR3384XL-10FG324C <sup>(3)</sup>       | 10 ns                    | FG324          | 324-ball    | Fineline BGA Package (FG)              | C                              |
| XCR3384XL-10TQ144I                      | 10 ns                    | TQ144          | 144-pin     | Thin Quad Flat Pack (TQFP)             | I                              |
| XCR3384XL-10TQG144I                     | 10 ns                    | TQG144         | 144-pin     | Thin Quad Flat Pack (TQFP); Pb-Free    | I                              |
| XCR3384XL-10PQ208I <sup>(2)</sup>       | 10 ns                    | PQ208          | 208-pin     | Plastic Quad Flat Pack (PQFP)          | I                              |
| XCR3384XL-10POG208I <sup>(2)</sup>      | 10 ns                    | PQG208         | 208-pin     | Plastic Quad Flat Pack (PQFP); Pb-Free | I                              |
| XCR3384XL-10FT256I                      | 10 ns                    | FT256          | 256-ball    | Fine-Pitch BGA (FT)                    | I                              |
| XCR3384XL-10FTG256I                     | 10 ns                    | FTG256         | 256-ball    | Fine-Pitch BGA (FTG); Pb-Free          | I                              |
| XCR3384XL-10FG324I <sup>(3)</sup>       | 10 ns                    | FG324          | 324-ball    | Fineline BGA Package (FG)              | I                              |
| XCR3384XL-12TQ144C                      | 12 ns                    | TQ144          | 144-pin     | Thin Quad Flat Pack (TQFP)             | C                              |
| XCR3384XL-12TQG144C                     | 12 ns                    | TQG144         | 144-pin     | Thin Quad Flat Pack (TQFP); Pb-Free    | C                              |
| XCR3384XL-12PQ208C <sup>(2)</sup>       | 12 ns                    | PQ208          | 208-pin     | Plastic Quad Flat Pack (PQFP)          | C                              |



| Device Ordering and Part Marking Number | Speed (pin-to-pin delay) | Package Symbol | No. of Pins | Package Type                           | Operating Range <sup>(1)</sup> |
|---|--------------------------|----------------|-------------|--|--------------------------------|
| XCR3384XL-12PQG208C <sup>(2)</sup>      | 12 ns                    | PQG208         | 208-pin     | Plastic Quad Flat Pack (PQFP); Pb-Free | C                              |
| XCR3384XL-12FT256C                      | 12 ns                    | FT256          | 256-ball    | Fine-Pitch BGA (FT)                    | C                              |
| XCR3384XL-12FTG256C                     | 12 ns                    | FTG256         | 256-ball    | Fine-Pitch BGA (FTG); Pb-Free          | C                              |
| XCR3384XL-12FG324C <sup>(3)</sup>       | 12 ns                    | FG324          | 324-ball    | Fineline BGA Package (FG)              | C                              |
| XCR3384XL-12TQ144I                      | 12 ns                    | TQ144          | 144-pin     | Thin Quad Flat Pack (TQFP)             | I                              |
| XCR3384XL-12TQG144I                     | 12 ns                    | TQG144         | 144-pin     | Thin Quad Flat Pack (TQFP); Pb-Free    | I                              |
| XCR3384XL-12PQ208I <sup>(2)</sup>       | 12 ns                    | PQ208          | 208-pin     | Plastic Quad Flat Pack (PQFP)          | I                              |
| XCR3384XL-12PQG208I <sup>(2)</sup>      | 12 ns                    | PQG208         | 208-pin     | Plastic Quad Flat Pack (PQFP); Pb-Free | I                              |
| XCR3384XL-12FT256I                      | 12 ns                    | FT256          | 256-ball    | Fine-Pitch BGA (FT)                    | I                              |
| XCR3384XL-12FTG256I                     | 12 ns                    | FTG256         | 256-ball    | Fine-Pitch BGA (FTG); Pb-Free          | I                              |
| XCR3384XL-12FG324I <sup>(3)</sup>       | 12 ns                    | FG324          | 324-ball    | Fineline BGA Package (FG)              | I                              |

**Notes:**

1. C = Commercial:  $T_A = 0^\circ$  to  $+70^\circ\text{C}$ ; I = Industrial:  $T_A = -40^\circ$  to  $+85^\circ\text{C}$
2. These packages are discontinued. See the [Product Discontinuation Notice for Spartan 2 PQ\(G\)208 Package Pin Products \(XCN20012\)](#)
3. These packages are discontinued. See the [Product Discontinuation Notice for XCR3384XL-FG324 CPLD Product \(XCN21007\)](#)

## Additional Information

For more information on these devices, see the [CoolRunner XPLA3](#) documentation.

## Revision History

The following table shows the revision history for this document.

| Date       | Version | Revision  |
|------------|---------|---|
| 04/13/2023 | 2.1     | Updated the <a href="#">Device Part Marking and Ordering Combination Information</a> to reference (by part number) product discontinuation notices <a href="#">XCN21007</a> and <a href="#">XCN20012</a> . Updated formats and other links. Added the <a href="#">Please Read: Important Legal Notices</a> section to include the copyright section and removed the Warranty Disclaimer section.<br><br>Added the following skews to the <a href="#">Device Part Marking and Ordering Combination Information</a> table: <ul style="list-style-type: none"> <li>• XCR3384XL-7FTG256C</li> <li>• XCR3384XL-10FTG256C</li> <li>• XCR3384XL-10FTG256I</li> <li>• XCR3384XL-12FTG256C</li> <li>• XCR3384XL-12FTG256I</li> </ul> |
| 03/31/2006 | 2.0     | Added Warranty Disclaimer; Added Pb-Free ordering information.  |
| 04/08/2005 | 1.9     | Added $I_{CCSB}$ Typical and $T_{APRPW}$ specifications. Removed $T_{SOL}$ specification.   |
| 02/13/2004 | 1.8     | Add solder temperature specification. Add links to application notes, data sheets, and packages.  |



| Date       | Version | Revision  |
|------------|---------|---|
| 08/21/2003 | 1.7     | Updated Package Device Marking Pin 1 orientation.   |
| 07/15/2003 | 1.6     | Updated test conditions for $I_{IL}$ and $I_{IH}$ .   |
| 01/06/2003 | 1.5     | Changed to Preliminary, updated AC and DC specs per characterization review. Updated Note 5 on AC Specifications from 10 mA to 13 mA at 3.6V. Updated $T_{PCO}$ (added $T_{PTCK}$ ). Updated Ordering Information format.   |
| 01/08/2002 | 1.4     | Updated $T_{SUF}$ spec to match software timing. Added single p-term setup time ( $T_{SU1}$ ) to AC Table, renamed $T_{SU}$ to $T_{SU2}$ for setup time through the OR array. Updated $T_{INIT}$ spec and $T_{CONFIG}$ spec. Updated $T_{HI}$ spec to correct a typo. Updated AC Load Circuit diagram to more closely resemble true test conditions, added note for $T_{POD}$ delay measurement. Changed TQ144 pinout for pins 34 and 35. |
| 08/10/2001 | 1.3     | Updated AC Electrical Characteristics; Internal Timing Parameters; added TQ144 package and pinouts.   |
| 04/19/2001 | 1.2     | Updated Typical I/V curve, <a href="#">Figure 2</a> : added voltage levels.   |
| 04/11/2001 | 1.1     | Update TSUF spec to meet UMC characterization data. Added Typical I/V curve, <a href="#">Figure 2</a> ; added <a href="#">Table 5</a> : Total User I/O; changed $V_{OH}$ spec. Added 324-ball Fineline BGA pinouts and package.   |
| 02/08/2001 | 1.0     | Initial release.  |

## Please Read: Important Legal Notices

The information presented in this document is for informational purposes only and may contain technical inaccuracies, omissions, and typographical errors. The information contained herein is subject to change and may be rendered inaccurate for many reasons, including but not limited to product and roadmap changes, component and motherboard version changes, new model and/or product releases, product differences between differing manufacturers, software changes, BIOS flashes, firmware upgrades, or the like. Any computer system has risks of security vulnerabilities that cannot be completely prevented or mitigated. AMD assumes no obligation to update or otherwise correct or revise this information. However, AMD reserves the right to revise this information and to make changes from time to time to the content hereof without obligation of AMD to notify any person of such revisions or changes. THIS INFORMATION IS PROVIDED "AS IS." AMD MAKES NO REPRESENTATIONS OR WARRANTIES WITH RESPECT TO THE CONTENTS HEREOF AND ASSUMES NO RESPONSIBILITY FOR ANY INACCURACIES, ERRORS, OR OMISSIONS THAT MAY APPEAR IN THIS INFORMATION. AMD SPECIFICALLY DISCLAIMS ANY IMPLIED WARRANTIES OF NON-INFRINGEMENT, MERCHANTABILITY, OR FITNESS FOR ANY PARTICULAR PURPOSE. IN NO EVENT WILL AMD BE LIABLE TO ANY PERSON FOR ANY RELIANCE, DIRECT, INDIRECT, SPECIAL, OR OTHER CONSEQUENTIAL DAMAGES ARISING FROM THE USE OF ANY INFORMATION CONTAINED HEREIN, EVEN IF AMD IS EXPRESSLY ADVISED OF THE POSSIBILITY OF SUCH DAMAGES.

### AUTOMOTIVE APPLICATIONS DISCLAIMER

AUTOMOTIVE PRODUCTS (IDENTIFIED AS "XA" IN THE PART NUMBER) ARE NOT WARRANTED FOR USE IN THE DEPLOYMENT OF AIRBAGS OR FOR USE IN APPLICATIONS THAT AFFECT CONTROL OF A VEHICLE ("SAFETY APPLICATION") UNLESS THERE IS A SAFETY CONCEPT OR REDUNDANCY FEATURE CONSISTENT WITH THE ISO 26262 AUTOMOTIVE SAFETY STANDARD ("SAFETY DESIGN"). CUSTOMER SHALL, PRIOR TO USING OR DISTRIBUTING ANY SYSTEMS THAT INCORPORATE PRODUCTS, THOROUGHLY TEST SUCH SYSTEMS FOR SAFETY PURPOSES. USE OF PRODUCTS IN A SAFETY APPLICATION WITHOUT A SAFETY DESIGN IS FULLY AT THE RISK OF CUSTOMER, SUBJECT ONLY TO APPLICABLE LAWS AND REGULATIONS GOVERNING LIMITATIONS ON PRODUCT LIABILITY.

© Copyright 2001–2023 Advanced Micro Devices, Inc. AMD, the AMD Arrow logo, Coolrunner, and combinations thereof are trademarks of Advanced Micro Devices, Inc. Other product names used in this publication are for identification purposes only and may be trademarks of their respective companies.

## OUR CERTIFICATE

DiGi provide top-quality products and perfect service for customer worldwide through standardization, technological innovation and continuous improvement. DiGi through third-party certification, we stricly control the quality of products and services. Welcome your RFQ to

Email: [Info@DiGi-Electronics.com](mailto:Info@DiGi-Electronics.com)



Tel: +00 852-30501935

RFQ Email: [Info@DiGi-Electronics.com](mailto:Info@DiGi-Electronics.com)

DiGi is a global authorized distributor of electronic components.