

# RT0805DRD07147RL Datasheet



<https://www.DiGi-Electronics.com>

DiGi Electronics Part Number	RT0805DRD07147RL-DG
Manufacturer	<a href="#">YAGEO</a>
Manufacturer Product Number	RT0805DRD07147RL
Description	RES SMD 147 OHM 0.5% 1/8W 0805
Detailed Description	147 Ohms $\pm$ 0.5% 0.125W, 1/8W Chip Resistor 0805 (2012 Metric) Thin Film

This model RT0805DRD07147RL is available at DiGi Electronics.

DiGi Electronics offers a global database of semiconductor and electronic component datasheets.

We welcome your inquiries regarding pricing, lead time, or other product-related questions.

 [Request a Quote](#)

 [Datasheet Search](#)



Tel: +00 852-30501935

RFQ Email: [Info@DiGi-Electronics.com](mailto:Info@DiGi-Electronics.com)

DiGi is a global authorized distributor of electronic components.

## Purchase and inquiry

Manufacturer Product Number:

RT0805DRD07147RL

Series:

RT

Resistance:

147 Ohms

Power (Watts):

0.125W, 1/8W

Features:

-

Operating Temperature:

-55°C ~ 155°C

Supplier Device Package:

0805

Height - Seated (Max):

0.024" (0.60mm)

Failure Rate:

-

Manufacturer:

YAGEO

Product Status:

Active

Tolerance:

±0.5%

Composition:

Thin Film

Temperature Coefficient:

±25ppm/°C

Package / Case:

0805 (2012 Metric)

Size / Dimension:

0.079" L x 0.049" W (2.00mm x 1.25mm)

Number of Terminations:

2

## Environmental & Export classification

RoHS Status:

ROHS3 Compliant

REACH Status:

REACH Unaffected

HTSUS:

8533.21.0030

Moisture Sensitivity Level (MSL):

1 (Unlimited)

ECCN:

EAR99

# DATA SHEET

## THIN FILM CHIP RESISTORS

High precision - high stability

RT series

0.01% TO 1%, TCR 5 TO 50

sizes 0100/ 0201/ 0402/ 0603/ 0805/ 1206/  
1210/ 2010/ 2512

RoHS compliant



## SCOPE

This specification describes RT series high precision - high stability chip resistors with lead-free terminations made by thin film process.

## APPLICATIONS

- Converters
- Printing equipment
- Server board
- Telecom
- Consumer

## FEATURES

- Halogen Free Epoxy
- RoHS compliant
- Reducing environmentally hazardous wastes
- High component and equipment reliability
- Saving of PCB space
- None forbidden-materials used in products/production

## ORDERING INFORMATION - GLOBAL PART NUMBER & I2NC

Both part numbers are identified by the series, size, tolerance, packing type, temperature coefficient, taping reel and resistance value.

### YAGEO BRAND ordering code

### GLOBAL PART NUMBER (PREFERRED)

RT XXXX E X X XX XXXX L  
 (1) (2) (3) (4) (5) (6) (7)

### (1) SIZE

RT0100 / 0201 / 0402 / 0603 / 0805 / 1206 / 1210 / 2010 / 2512

### (2) TOLERANCE

L = ±0.01%

P = ±0.02%

W = ±0.05%

B = ±0.1%

C = ±0.25%

D = ±0.5%

F = ±1%

### (3) PACKAGING TYPE

R = Paper/PE taping reel

K = Embossed taping reel

### (4) TEMPERATURE COEFFICIENT OF RESISTANCE

A = 5 ppm/°C

B = 10 ppm/°C

C = 15 ppm/°C

D = 25 ppm/°C

E = 50 ppm/°C

### (5) TAPING REEL

07 = 7 inch dia. Reel

10 = 10 inch dia. Reel

13 = 13 inch dia. Reel

7W = 7 inch dia. Reel with high power (1W for 2512)

### (6) RESISTANCE VALUE

There are 2~4 digits indicated the resistor value. Letter R/K/M is decimal point.

Detailed resistance rules show in table of "Resistance rule of global part number".

### (7) DEFAULT CODE

Letter L is system default code for order only <sup>(Note)</sup>

### Resistance rule of global part number

Resistance code rule	Example
XRXX (1 to 9.76 Ω)	1R = 1 Ω 1R5 = 1.5 Ω 9R76 = 9.76 Ω
XXRX (10 to 97.6 Ω)	10R = 10 Ω 97R6 = 97.6 Ω
XXXR (100 to 976 Ω)	100R = 100 Ω
XKXX (1 to 9.76 KΩ)	1K = 1,000 Ω 9K76 = 9760 Ω
XMXX (1 to 9.76 MΩ)	1M = 1,000,000 Ω 9M76 = 9,760,000 Ω

### ORDERING EXAMPLE

The ordering code of a RT0603 chip resistor, TC 50 value 56 Ω with ±0.5% tolerance, supplied in 7-inch tape reel is:  
RT0603DRE0756RL.

### NOTE

1. All our RSMD products meet RoHS compliant and Halogen Free. "LFP" of the internal 2D reel label mentions "Lead Free Process"
2. On customized label, "LFP" or specific symbol can be printed

**PHYCOMP BRAND ordering codes**

Both GLOBAL PART NUMBER (preferred) and I2NC (traditional) codes are acceptable to order Phycomp brand products. For matching traditional types with size codes, please refer to "Comparison table of traditional types and sizes".

**GLOBAL PART NUMBER (PREFERRED)**

For detailed information of GLOBAL PART NUMBER and ordering example, please refer to page 2.

**I2NC CODE**

2390 (1)	X (2)	XX (3)	X (4)	XXXX (5)	L (6)
START WITH <sup>(1)</sup>	TCR <sup>(2)</sup> (ppm/°C)	PACKING CODE BY SIZE (inch) <sup>(3)</sup>	TOL. <sup>(4)</sup> (%)	RESISTANCE RANGE	DEFAULT CODE (NOTE)
2390	8 = ±10 7 = ±15 6 = ±25 4 = ±50	0402: 07 = 7" reel 47 = 13" reel 0603: 04 = 7" reel 24 = 10" reel 44 = 13" reel 0805: 01 = 7" reel 41 = 13" reel 1206: 11 = 7" reel 51 = 13" reel 1210: 12 = 7" reel 52 = 13" reel 2010: 15 = 7" reel 2512: 18 = 7" reel	7 = ±1 6 = ±0.5 5 = ±0.25 4 = ±0.1 3 = ±0.05	The remaining 4 digits represent the resistance value with the last digit indicating the multiplier as shown in the table of "Last digit of I2NC".  0402: 4.7Ω ≤ R ≤ 240kΩ 0603: 1 Ω ≤ R ≤ 1MΩ 0805: 1Ω ≤ R ≤ 1.5 MΩ 1206: 1Ω ≤ R ≤ 1.5 MΩ 1210: 4.7Ω ≤ R ≤ 1 MΩ 2010: 4.7Ω ≤ R ≤ 1 MΩ 2512: 4.7Ω ≤ R ≤ 1 MΩ	Letter L is system default code for order only (Note)

Comparison table of traditional types and sizes

TF (1)	X (2)	X (3)	X (4)
START WITH	SIZE CODE	TCR (ppm/°C)	TOL. (%)
TF	3 = 0402 2 = 0603 1 = 0805 0 = 1206 5 = 1210 7 = 2010 6 = 2512	4 = ±10 3 = ±15 1 = ±25 2 = ±50	0 = ±1 1 = ±0.5 2 = ±0.25 3 = ±0.1 4 = ±0.05

**Example:**

TF321 = RT0402, TC50, ±0.5% tolerance

Resistance decade <sup>(3)</sup>	Last digit
1 to 9.76 Ω	8
10 to 97.6 Ω	9
100 to 976 Ω	1
1 to 9.76 kΩ	2
10 to 97.6 kΩ	3
100 to 976 kΩ	4
1 to 9.76 MΩ	5
10 to 97.6 MΩ	6

Example: 1 Ω = 1008 or 108  
33 kΩ = 3303 or 333  
10 MΩ = 1006 or 106

**Exceptions to above packing code definitions:**

0805 TC50 with 1%, supplied in 13" reel, the packing code is 02.

0603 TC50 with 1%, supplied in 13" reel, the packing code is 03.

2512 TC15, in 7" reel, the packing code is 35.

2010 TC15, in 7" reel, the packing code is 31.

**ORDERING EXAMPLE**

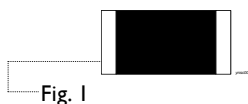
The ordering code of a TF221 resistor, TC50, value 56 Ω, with ±0.5% tolerance, supplied in tape of 5,000 units per reel is: 239040465609L or RT0603DRE0756RL.

**NOTE**

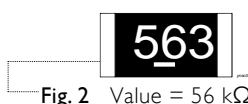
- All our RSMD products meet RoHS compliant and Halogen Free. "LFP" of the internal 2D reel label mentions "Lead Free Process"
- On customized label, "LFP" or specific symbol can be printed

**MARKING**

RT0100 / RT0201 / RT0402 / RESISTANCE VALUE IS NOT IN E-24 / E96 SERIES



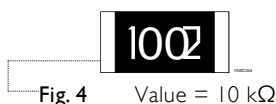
No marking

**RT0603**

E-24 series: exception values 10/11/13/15/20/75 of E-24 series, one short bar under marking letter



E-96 series: including values 10/11/13/15/20/75 of E-24 series, 3 digits

**RT0805 / RT1206 / RT1210 / RT2010 / RT2512**Either resistance in E-24 or E-96: 4 digits  
First three digits for significant figure and 4th digit for number of zeros

For further marking information, please see special data sheet “Chip resistors marking”.

**CONSTRUCTION**

The resistors are constructed out of a high-grade ceramic body. Internal metal electrodes are added at each end and connected by a resistive layer. The resistive layer is adjusted to give the approximate required resistance and laser cutting of this resistive layer that achieves tolerance trims the value. The resistive layer is covered with a protective coat and printed with the resistance value. Finally, the two external terminations (matte tin) are added. See fig. 5.

**DIMENSION**

Table I For outlines see fig. 5

TYPE	L (mm)	W (mm)	H (mm)	$l_1$ (mm)	$l_2$ (mm)
RT0100	0.40±0.02	0.20±0.02	0.13±0.02	0.10±0.03	0.10±0.03
RT0201	0.60 ±0.03	0.30 ±0.03	0.23 ±0.03	0.10 ±0.05	0.15 ±0.05
RT0402	1.00 ±0.10	0.50 ±0.05	0.30 ±0.05	0.20 ±0.10	0.25 ±0.10
RT0603	1.60 ±0.10	0.80 ±0.10	0.45 ±0.10	0.25 ±0.15	0.25 ±0.15
RT0805	2.00 ±0.10	1.25 ±0.10	0.50 ±0.10	0.35 ±0.20	0.35 ±0.20
RT1206	3.10 ±0.10	1.60 ±0.10	0.55 ±0.10	0.45 ±0.20	0.40 ±0.20
RT1210	3.10 ±0.10	2.60 ±0.15	0.55 ±0.10	0.50 ±0.20	0.50 ±0.20
RT2010	5.00 ±0.10	2.50 ±0.15	0.55 ±0.10	0.60 ±0.20	0.50 ±0.20
RT2512	6.35 ±0.10	3.20 ±0.15	0.55 ±0.10	0.60 ±0.20	0.50 ±0.20

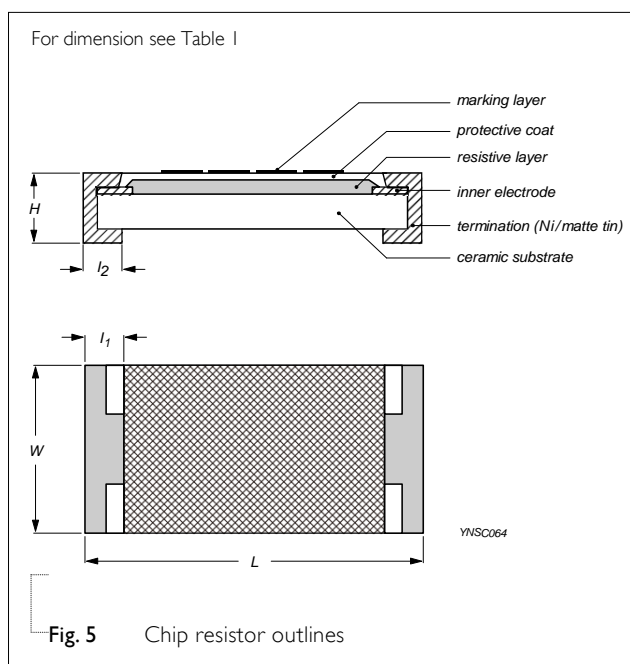
**OUTLINES**

Fig. 5 Chip resistor outlines

## ELECTRICAL CHARACTERISTICS

Table 2

TYPE	Operating Temperature Range	Power Rating	Max. Work Vol. (V)	Max. Overload Vol.	T.C.R. (ppm/°C)	Resistance Range (E-24/E-96 series)(2) & Tolerance							Unit weight (mg/pcs)
						±0.01%	±0.02%	±0.05%	±0.1%	±0.25%	±0.5%	±1.0%	
RT0100	-55°C to +125°C	1/32W	15V	30V	±50	---	---	---	50R~5K	50R~5K	50R~5K	50R~5K	0.037
					±25	---	---	---	50R~5K	50R~5K	50R~5K	50R~5K	
RT0201	-55°C to +125°C	1/20W	25V	50V	±50	---	---	---	22~75K	22~75K	22~75K	22~75K	0.169
					±25	---	---	---	22~75K	22~75K	22~75K	22~75K	
					±15	---	---	---	22~5K	22~5K	---	---	
					±10	---	---	---	22~5K	22~5K	---	---	
RT0402		1/16W	50V	100V	±50	50.1~12K	50.1~12K	20~12K	4.7~500K	4.7~500K	4.7~500K	4.7~500K	0.564
					±25	50.1~12K	50.1~12K	20~12K	4.7~240K	4.7~240K	4.7~240K	4.7~240K	
					±15	20~12K	20~12K	20~12K	10~200K	10~200K	---	---	
					±10	20~12K	20~12K	20~12K	10~200K	10~200K	---	---	
					±5	20~10K	20~10K	20~10K	20~10K	20~10K	---	---	
RT0603		1/10W	75V	150V	±50	50.1~30K	50.1~30K	4.7~100K	1~2M	1~2M	1~2M	1~2M	2.128
					±25	50.1~30K	50.1~30K	4.7~100K	1~1M	1~1M	1~1M	1~1M	
					±15	50.1~100K	50.1~100K	4.7~100K	4.7~680K	4.7~680K	---	---	
					±10	50.1~100K	50.1~100K	4.7~100K	4.7~680K	4.7~680K	---	---	
					±5	20~30K	20~30K	20~30K	20~30K	20~30K	---	---	
RT0805	-55°C to +155°C	1/8W	150V	300V	±50	50.1~30K	50.1~30K	4.7~200K	1~3M	1~3M	1~3M	1~3M	4.642
					±25	50.1~30K	50.1~30K	4.7~200K	1~1.5M	1~1.5M	1~1.5M	1~1.5M	
					±15	50.1~200K	50.1~200K	4.7~200K	4.7~1M	4.7~1M	---	---	
					±10	50.1~200K	50.1~200K	4.7~200K	4.7~1M	4.7~1M	---	---	
					±5	20~50K	20~50K	20~50K	20~50K	20~50K	---	---	
RT1206		1/4W	200V	400V	±50	50.1~30K	50.1~30K	5.6~500K	1~3M	1~3M	1~3M	1~3M	9.996
					±25	50.1~30K	50.1~30K	5.6~500K	1~1.5M	1~1.5M	1~1.5M	1~1.5M	
					±15	50.1~500K	50.1~500K	5.6~500K	5.6~1.5M	5.6~1.5M	---	---	
					±10	50.1~500K	50.1~500K	5.6~500K	5.6~1.5M	5.6~1.5M	---	---	
					±5	20~100K	20~100K	20~100K	20~100K	20~100K	---	---	
RT1210		1/4W	200V	400V	±50	---	---	4.7~1M	4.7~1M	4.7~1M	4.7~1M	4.7~1M	16.370
					±25	---	---	4.7~1M	4.7~1M	4.7~1M	4.7~1M	4.7~1M	
					±15	---	---	100~100K	4.7~100K	4.7~100K	---	---	
					±10	---	---	100~100K	4.7~100K	4.7~100K	---	---	
					±5	---	---	---	---	---	---	---	
RT2010	-55°C to +125°C	1/2W	200V	400V	±50	---	---	4.7~1M	4.7~1M	4.7~1M	4.7~1M	4.7~1M	25.011
					±25	---	---	4.7~1M	4.7~1M	4.7~1M	4.7~1M	4.7~1M	
					±15	---	---	100~100K	4.7~100K	4.7~100K	---	---	
					±10	---	---	100~100K	4.7~100K	4.7~100K	---	---	
					±5	---	---	---	---	---	---	---	
RT2512		3/4W	200V	400V	±50	---	---	4.7~1M	4.7~1M	4.7~1M	4.7~1M	4.7~1M	40.351
					±25	---	---	4.7~1M	4.7~1M	4.7~1M	4.7~1M	4.7~1M	
					±15	---	---	100~100K	4.7~100K	4.7~100K	---	---	
					±10	---	---	100~100K	4.7~100K	4.7~100K	---	---	
					±5	---	---	---	---	---	---	---	
		1W	200V	400V	±50	---	---	10Ω~1M	10Ω~1M	10Ω~1M	10Ω~1M	10Ω~1M	
					±25	---	---	10Ω~1M	10Ω~1M	10Ω~1M	10Ω~1M	10Ω~1M	

## NOTE

- The maximum working voltage that may be continuously applied to the resistor element, see "IEC publication 60115-8"
- Value of E-192 series is on request



## FOOTPRINT AND SOLDERING PROFILES

For recommended footprint and soldering profiles, please see the special data sheet “Chip resistors mounting”.

## PACKING STYLE AND PACKAGING QUANTITY

Table 3 Packing style and packaging quantity

PACKING STYLE	REEL DIMENSION	RT0100	RT0201	RT0402	RT0603	RT0805	RT1206	RT1210	RT2010	RT2512
		Paper/PE taping reel (R)	7" (178 mm)	10,000	10,000	10,000	5,000	5,000	5,000	5,000
	10" (254 mm)	20,000	20,000	20,000	10,000	10,000	10,000	10,000	---	---
	13" (330 mm)	50,000	50,000	50,000	20,000	20,000	20,000	20,000	---	---
Embossed taping reel (K)	7" (178 mm)	---	---	---	---	---	---	---	4,000	4,000

### NOTE

1. For Paper/Embossed tape and reel specification/dimensions, please see the special data sheet “Chip resistors packing”

## FUNCTIONAL DESCRIPTION

### POWER RATING

Each type rated power at 70°C:

RT0100=1/32W

RT0201=1/20W, RT0402=1/16W, RT0603=1/10W,

RT0805=1/8W, RT1206=1/4W, RT1210=1/4W,

RT2010=1/2W, RT2512=3/4W, 1W

### RATED VOLTAGE

The DC or AC (rms) continuous working voltage corresponding to the rated power is determined by the following formula:

$$V = \sqrt{P \times R}$$

or max. working voltage whichever is less

Where

V=Continuous rated DC or  
AC (rms) working voltage (V)

P=Rated power (W)

R=Resistance value ( $\Omega$ )

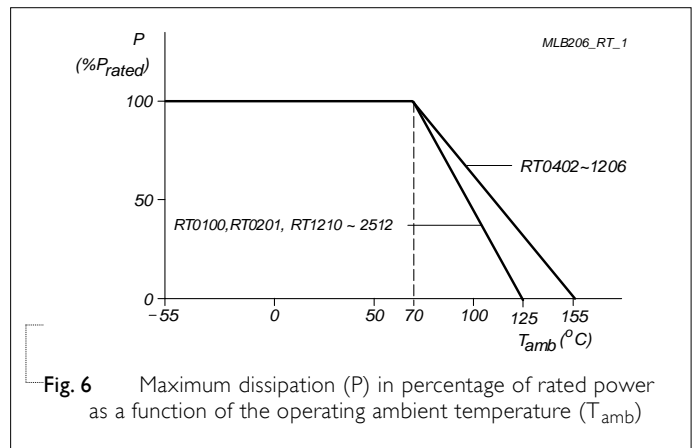


Fig. 6 Maximum dissipation (P) in percentage of rated power as a function of the operating ambient temperature (T<sub>amb</sub>)

**TESTS AND REQUIREMENTS**

Table 4 Test condition, procedure and requirements

TEST	TEST METHOD	PROCEDURE	REQUIREMENTS
Temperature Coefficient of Resistance (T.C.R.)	MIL-STD-202 Method 304	At +25/-55 °C and +25/+125 °C  <b>Formula:</b> $\text{T.C.R.} = \frac{R_2 - R_1}{R_1(t_2 - t_1)} \times 10^6 \text{ (ppm/°C)}$  Where t <sub>1</sub> =+25 °C or specified room temperature t <sub>2</sub> =-55 °C or +125 °C test temperature R <sub>1</sub> =resistance at reference temperature in ohms R <sub>2</sub> =resistance at test temperature in ohms	Refer to table 2
Life/Endurance	IEC 60115-1 4.25.1 MIL-STD-202 Method 108A	At 70±5 °C for 1,000 hours, rated voltage applied for 1.5 hours on, 0.5 hour off, still air required	±(0.5%+0.05 Ω)
High Temperature Exposure	IEC 60068-2-2	1000 hours at maximum operating temperature depending on specification, unpowered	±(0.5%+0.05 Ω)
Moisture Resistance	MIL-STD-202 Method 106G	Each temperature / humidity cycle is defined at 8 hours, 3 cycles / 24 hours for 10d. with 25 °C / 65 °C 95% R.H, without steps 7a & 7b, unpowered  Parts mounted on test-boards, without condensation on parts  Measurement at 24±2 hours after test conclusion	±(0.5%+0.05 Ω)
Thermal Shock	MIL-STD-202 Method 107G	-55/+125 °C Number of cycles required is 300. Devices mounted  Maximum transfer time is 20 seconds. Dwell time is 15 minutes. Air – Air	±(0.5%+0.05 Ω)
Humidity (steady state)	IEC 60115-1 4.24.2	Steady state for 1000 hours at 40 °C / 95% R.H. rated voltage applied for 1.5 hours on and 0.5 hour off	±(0.5%+0.05 Ω)

## Chip Resistor Surface Mount

RT

SERIES

0100 to 2512

TEST	TEST METHOD	PROCEDURE	REQUIREMENTS
Short Time Overload	IEC60115-1 4.13	2.5 times of rated voltage or maximum overload voltage whichever is less for 5 sec at room temperature	$\pm(0.5\%+0.05 \Omega)$ No visible damage
Board Flex/ Bending	IEC 60115-1 4.33	Chips mounted on a glass epoxy resin PCB (FR4) Bending: see table 5 for each size Bending time: 60 $\pm$ 5 seconds	$\pm(0.25\%+0.05 \Omega)$ No visible damage RT0100 $\pm(0.5\%+0.05 \Omega)$
Solderability - Wetting	J-STD-002 test B	Electrical Test not required Magnification 50X SMD conditions: 1 <sup>st</sup> step: method B, aging 4 hours at 155°C dry heat 2 <sup>nd</sup> step: leadfree solder bath at 245 $\pm$ 3°C Dipping time: 3 $\pm$ 0.5 seconds	Well tinned ( $\geq$ 95% covered) No visible damage
- Leaching	J-STD-002 test D	Leadfree solder, 260 °C, 30 seconds immersion time	No visible damage
- Resistance to Soldering Heat	IEC 60115-1 4.18	Condition B, no pre-heat of samples. Leadfree solder, 260 °C, 10 seconds immersion time Procedure 2 for SMD: devices fluxed and cleaned with isopropanol	$\pm(0.5\%+0.05 \Omega)$ No visible damage

Table 5 Bending for sizes 0100 to 2512

TYPE	RT0100	RT0201	RT0402	RT0603	RT0805	RT1206	RT1210	RT2010	RT2512
Specification (mm)	5	5	5	3	3	2	2	2	2

**REVISION HISTORY**

REVISION	DATE	CHANGE NOTIFICATION	DESCRIPTION
Version 15	Mar. 13, 2023	-	- RT0402 extend resistance range
Version 14	Nov. 23, 2022	-	- Add unit weight information
Version 13	July 07, 2022	-	- RT0402/RT0603/RT0805/RT1206 Extend resistor range - Add RT0100
Version 12	Apr. 21, 2020	-	- Modified resistance range
Version 11	July 2, 2019	-	- Add 1W for 2512
Version 10	Jun. 12, 2019	-	- Extend resistor value
Version 9	Sep. 12, 2017	-	- Add $\pm 0.02\%$ tol. for 0402 to 1206
Version 8	May 31, 2017	-	- Add 10" packing
Version 7	Jan. 17, 2017	-	- Add $\pm 0.01\%$ tol. for 0402 to 1206
Version 6	May. 11, 2015	-	- Extend resistor value
Version 5	Aug. 22, 2014	-	- Add RT0201 - RT0402/0603/0805/1206: resistance range and operating temperature range updated - Fig. 6 updated
Version 4	Oct 21, 2009	-	- Test Items and methods updated - Test requirements upgraded
Version 3	Jul 11, 2008	-	- Change to dual brand datasheet that describe RT0402 to RT2512 with RoHS compliant - Description of "Halogen Free Epoxy" added - Define global part number - Modify electrical characteristic
Version 2	Dec 26, 2005	-	- New datasheet for thin film high precision - high stability chip resistors sizes of 0201/0402/0603/0805/1206/1210/2010/2512, 1%, 0.5%, 0.25%, 0.1%, 0.05%, TC25/50 with lead-free terminations - Replace the 0402 to 1210 parts of pdf files: TFX10_1_1, TFX11_5_2, TFX12_25_2, TFX13_1_3, TFX14_05_1, TFX20_1_2, TFX21_5_2, TFX22_25_2, TFX23_1_2, TFX24_05_1, and combine into a document. - Test method and procedure updated - PE tape added (paper tape will be replaced by PE tape)

**“YAGEO reserves all the rights for revising the content of this datasheet without further notification, as long as the products itself are unchanged. Any product change will be announced by PCN.”**

---

**Chip Resistor Surface Mount**LEGAL DISCLAIMER

YAGEO, its distributors and agents (collectively, "YAGEO"), hereby disclaims any and all liabilities for any errors, inaccuracies or incompleteness contained in any product related information, including but not limited to product specifications, datasheets, pictures and/or graphics. YAGEO may make changes, modifications and/or improvements to product related information at any time and without notice.

YAGEO makes no representation, warranty, and/or guarantee about the fitness of its products for any particular purpose or the continuing production of any of its products. To the maximum extent permitted by law, YAGEO disclaims (i) any and all liability arising out of the application or use of any YAGEO product, (ii) any and all liability, including without limitation special, consequential or incidental damages, and (iii) any and all implied warranties, including warranties of fitness for a particular purpose, non-infringement and merchantability.

YAGEO products are designed for general purpose applications under normal operation and usage conditions. Please contact YAGEO for the applications listed below which require especially high reliability for the prevention of defects which might directly cause damage to the third party's life, body or property: Aerospace equipment (artificial satellite, rocket, etc.), Atomic energy-related equipment, Aviation equipment, Disaster prevention equipment, crime prevention equipment, Electric heating apparatus, burning equipment, Highly public information network equipment, data-processing equipment, Medical devices, Military equipment, Power generation control equipment, Safety equipment, Traffic signal equipment, Transportation equipment and Undersea equipment, or for any other application or use in which the failure of YAGEO products could result in personal injury or death, or serious property damage. Particularly **YAGEO Corporation and its affiliates do not recommend the use of commercial or automotive grade products for high reliability applications or manned space flight.**

Information provided here is intended to indicate product specifications only. YAGEO reserves all the rights for revising this content without further notification, as long as products are unchanged. Any product change will be announced by PCN.

## OUR CERTIFICATE

DiGi provide top-quality products and perfect service for customer worldwide through standardization, technological innovation and continuous improvement. DiGi through third-party certification, we stricly control the quality of products and services. Welcome your RFQ to

Email: [Info@DiGi-Electronics.com](mailto:Info@DiGi-Electronics.com)



Tel: +00 852-30501935

RFQ Email: [Info@DiGi-Electronics.com](mailto:Info@DiGi-Electronics.com)

DiGi is a global authorized distributor of electronic components.