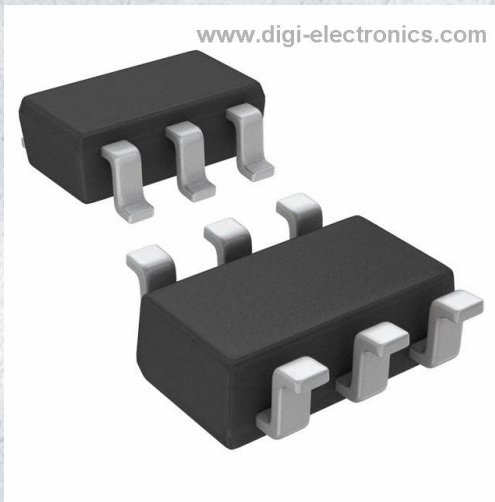


AH9485-WUF-7 Datasheet



<https://www.DiGi-Electronics.com>

DiGi Electronics Part Number	AH9485-WUF-7-DG
Manufacturer	Diodes Incorporated
Manufacturer Product Number	AH9485-WUF-7
Description	IC MOTOR DRIVER 2V-6V 6TSOT26F
Detailed Description	Motor Driver Power MOSFET PWM TSOT-26F



Tel: +00 852-30501935

RFQ Email: Info@DiGi-Electronics.com

DiGi is a global authorized distributor of electronic components.

Purchase and inquiry

Manufacturer Product Number:

AH9485-WUF-7

Series:

-

Motor Type - Stepper:

-

Function:

Driver - Fully Integrated, Control and Power Stage

Interface:

PWM

Step Resolution:

-

Current - Output:

300mA

Voltage - Load:

2V ~ 6V

Mounting Type:

Surface Mount

Supplier Device Package:

TSOT-26F

Manufacturer:

Diodes Incorporated

Product Status:

Active

Motor Type - AC, DC:

Brushless DC (BLDC)

Output Configuration:

Half Bridge (2)

Technology:

Power MOSFET

Applications:

Fan Motor Driver

Voltage - Supply:

2V ~ 6V

Operating Temperature:

-40°C ~ 105°C (TA)

Package / Case:

SOT-23-6 Thin, TSOT-23-6

Base Product Number:

AH9485

Environmental & Export classification

RoHS Status:

ROHS3 Compliant

REACH Status:

REACH Unaffected

HTSUS:

8542.39.0001

Moisture Sensitivity Level (MSL):

1 (Unlimited)

ECCN:

EAR99

Description

The AH9485 and AH9486 are single chip solutions for driving a single phase (coil) brushless DC motors. It integrates the motor driver and the high sensitivity Hall effect sensor to simplify the system circuit and PCB design for simpler solutions.

Rotor lock-detect, shutdown and auto-restart functions help to prevent the motor from over-heating when rotor is locked and restarts the motor after the lock is removed.

The AH9485 and AH9486 have built-in open drain tachometer frequency generator (FG) and rotation detection (RD) outputs to allow external interface to monitor motor rotation, speed or rotor locks conditions easily. The FG provides magnetic change frequency while the RD provides the rotor status.

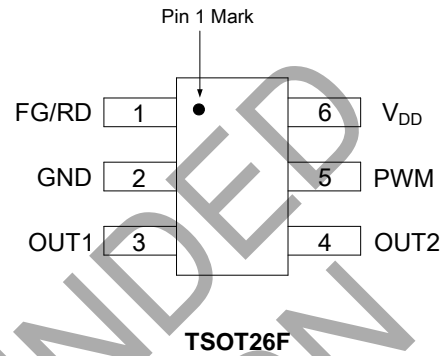
The full bridge output stage uses "soft-switching" technique to minimize the audible switching noise (vibration and acoustic noise) and electromagnetic interference (EMI) providing a low noise solution.

Over-temperature shutdown provides thermal protection for the device. An external DC voltage or a PWM (pulse-width modulation) signal on the PWM pin can be used to control the motor speed.

The AH9485 and AH9486 are packaged in TSOT26F.

Pin Assignments

(Top View)



Features

- Internal Full Bridge Driver
- High Sensitivity Integrated Hall Sensor
- Low and Wide Supply Voltage Range of 2V to 6V
- Soft Switching for Low Noise
- Rotor Lock Protection and Auto-Restart
- DC Voltage or PWM Signal Speed Control
- Thermal Protection
- Tachometer FG Output(AH9485) or Rotor Lock Alarm RD Output (AH9486)
- Operating Temperature Range of -40°C to +105°C
- Flat Pin TSOT26F Package
- **Totally Lead-Free & Fully RoHS Compliant (Notes 1 & 2)**
- **Halogen and Antimony Free. "Green" Device (Note 3)**

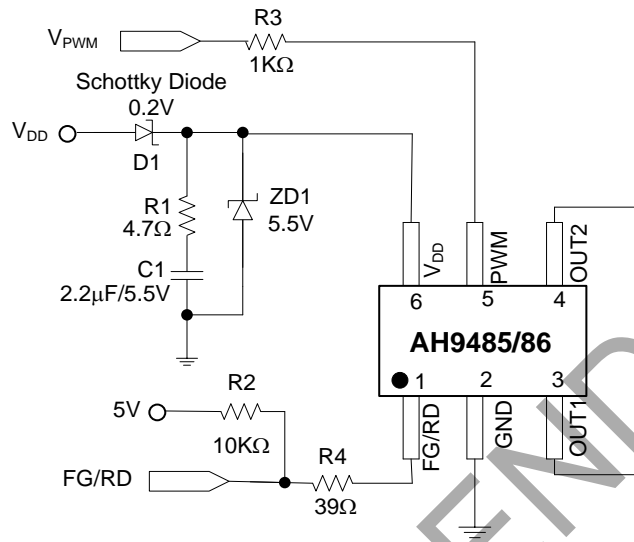
Applications

- 5V Low Noise BLDC Cooling Fans
- Low Voltage / Low Power BLDC Motors
- Notebook / VGA DC Fans / Blowers
- Micro-Motors

Notes:

1. No purposely added lead. Fully EU Directive 2002/95/EC (RoHS) & 2011/65/EU (RoHS 2) compliant.
2. See http://www.diodes.com/quality/lead_free.html for more information about Diodes Incorporated's definitions of Halogen- and Antimony-free, "Green" and Lead-free.
3. Halogen- and Antimony-free "Green" products are defined as those which contain <900ppm bromine, <900ppm chlorine (<1500ppm total Br + Cl) and <1000ppm antimony compounds.

Typical Applications Circuit (Note 4)

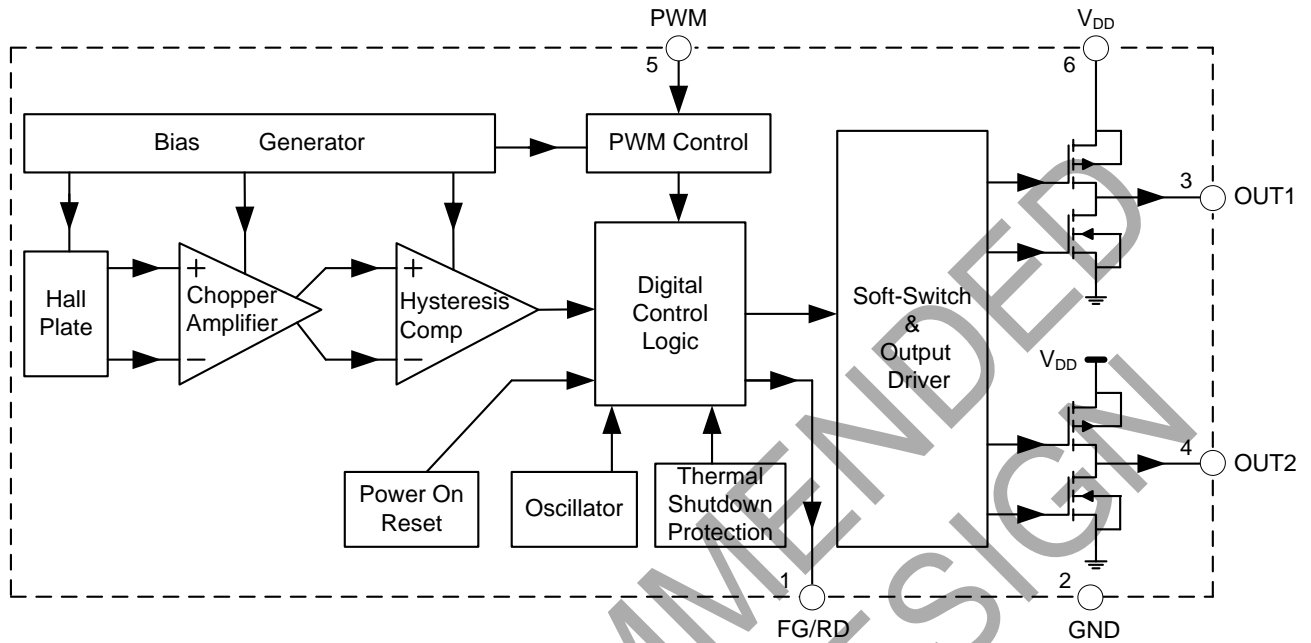


Note 4: Must use C1 capacitor for the decoupling between V_{DD} and GND and place the capacitor as close to the IC as possible.
 ZD1: V_{DD} over-voltage stress protection diode.
 R2: current limit resistor for Open Drain RD output.
 R3: de-coupling resistor for long-distance signal transmission.

Pin Descriptions

Pin Number	Pin Name	Function
1	FG/RD	FG(AH9485) or RD(AH9486)
2	GND	Ground pin
3	OUT1	Output pin 1
4	OUT2	Output pin 2
5	PWM	DC voltage or Pulse width modulation signal speed control pin
6	V_{DD}	Power supply pin

Functional Block Diagram



NOT RECOMMENDED FOR NEW DESIGN

Absolute Maximum Ratings (Notes 5 and 6) (@ $T_A=+25^{\circ}\text{C}$, unless otherwise specified.)

Symbol	Parameter	Rating	Unit
V_{DD}	Supply Voltage	7	V
I_{OUTP}	Peak Output Current	500	mA
I_{OUTC}	Continuous Output Current	300	mA
$V_{FG/RD}$	FG/RD Pull-up Voltage	7 or V_{DD}	V
$I_{FG/RD}$	FG/RD Current	20	mA
P_D	Power Dissipation	520	mW
θ_{JA}	Thermal Resistance (Junction to Ambient)	141	$^{\circ}\text{C}/\text{W}$
T_{STG}	Storage Temperature	-55 to +150	$^{\circ}\text{C}$
ESD	ESD (Human Body Model) (Note 7)	2000	V

- Note:
- Stresses greater than those listed under "Absolute Maximum Ratings" may cause permanent damage to the device. These are stress ratings only, and functional operation of the device at these or any other conditions beyond those indicated under "Recommended Operating Conditions" is not implied. Exposure to "Absolute Maximum Ratings" for extended periods may affect device reliability.
 - The absolute maximum V_{DD} of 7V is a transient stress rating and is not meant as a functional operating condition. It is not recommended to operate the device at the absolute maximum rated conditions for any period of time.
 - Electronic semiconductor products are sensitive to Electro Static Discharge (ESD). Always observe Electro Static Discharge control procedures whenever handling semiconductor products.

Recommended Operating Conditions

Symbol	Parameter	Min	Max	Unit
V_{DD}	Supply Voltage	2	6	V
T_A	Ambient Temperature	-40	+105	$^{\circ}\text{C}$

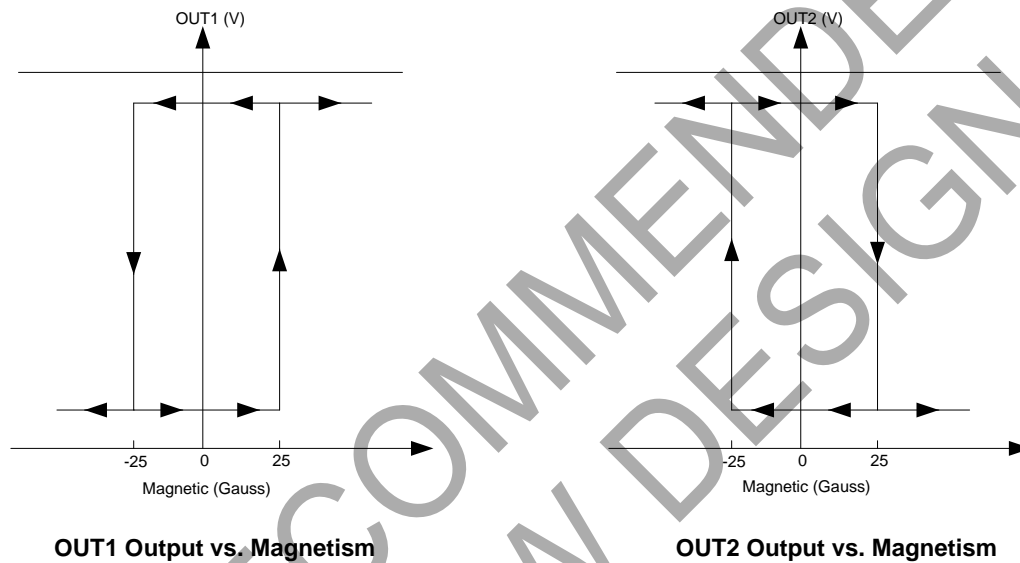
Electrical Characteristics (@ $V_{DD} = 5\text{V}$, $T_A=+25^{\circ}\text{C}$, unless otherwise specified.)

Symbol	Parameter	Conditions	Min	Typ	Max	Unit
I_{DD}	Supply Current	–	–	1.8	3	mA
$R_{DS(ON)1}$	ON Resistance ($R_{PMOS}+R_{NMOS}$)	$I_{OUT} = 300\text{mA}$	–	2	–	Ω
$R_{DS(ON)2}$	OUT1, OUT2 ON Resistance	$T_J = +125^{\circ}\text{C}$, $I_{OUT} = 300\text{mA}$	–	3	–	Ω
V_{OL}	FG/RD Output Low Voltage	$I_{OL} = 10\text{mA}$	–	0.33	0.5	V
I_{LEAK}	FG/RD Output Leakage Current	$V_{FG}(V_{RD}) = 5\text{V}$	–	0.15	10	μA
t_{ON}	Locked Rotor Period	–	–	0.25	–	s
t_{OFF}		–	–	1.5	–	s
PWM_{HIGH}	PWM Voltage Range	–	$>0.5 \times V_{DD}$	–	V_{DD}	V
PWM_{LOW}		–	0	–	$<0.14 \times V_{DD}$	V

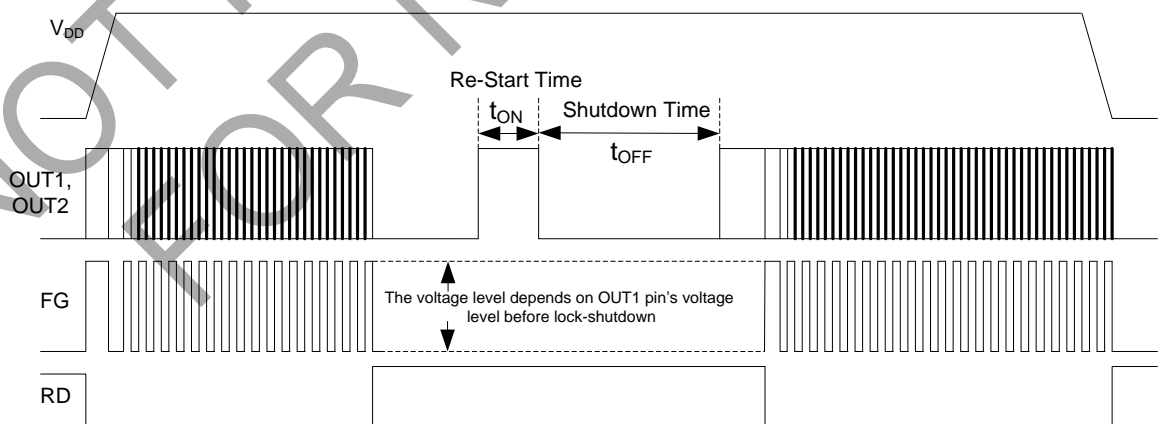
Magnetic Characteristics (@ $V_{DD}=5V$, $T_A=+25^{\circ}C$, unless otherwise specified.)

Symbol	Parameter	Min	Typ	Max	Unit
B_{OP}	Operating Point	0	25	50	Gauss
B_{RP}	Releasing Point	-50	-25	0	Gauss
B_{HYS}	Hysteresis	–	50	–	Gauss

Magnetic Hysteresis Characteristics

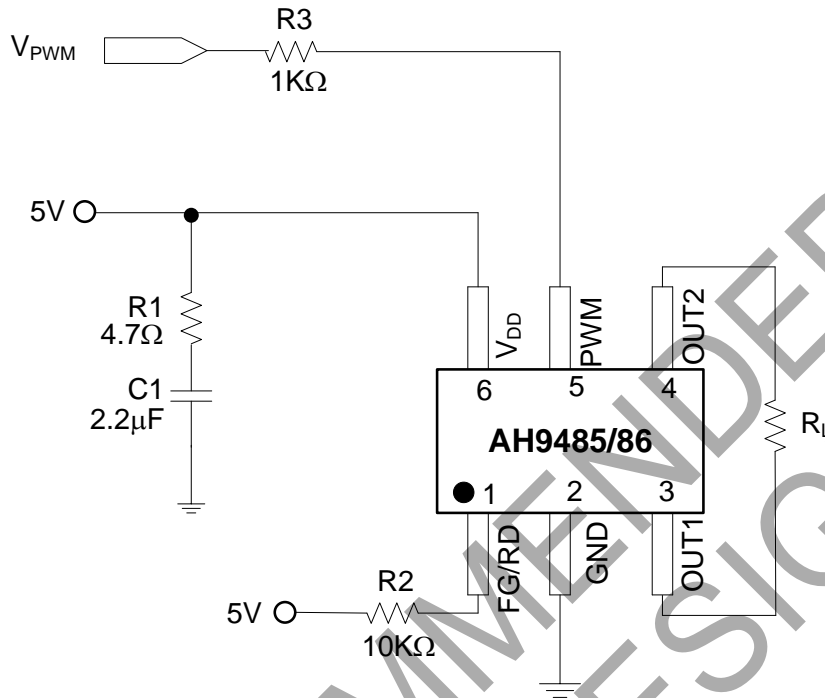


Output Waveforms Description (Notes 8 and 9)



- Notes:
- RD and FG are open drain outputs and the high level of the signal depends on the external supply voltage.
 - The on torque time of motor is same as the re-start time.

Test Circuit



Application Note (Notes 10, 11 and 12)

DC Supply Voltage Speed Control

Motor speed can be controlled by varying the V_{DD} supply voltage while PWM pin is tied to V_{DD} pin.

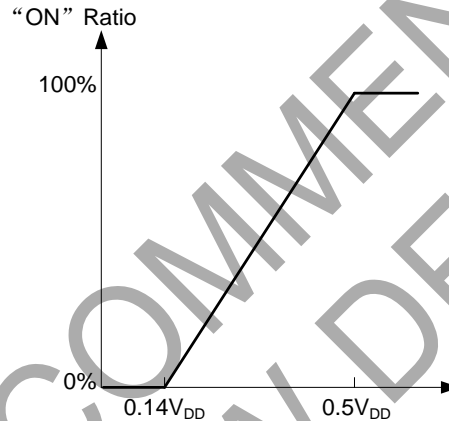
PWM Pin Speed Control

PWM (pulse width modulation) pin can be used to control the motor speed. There are two types of speed control using PWM pin:

- DC Voltage Mode
- Pulse Width Mode

a) DC Voltage Mode PWM:

DC voltage signal (V_{PWM}) on the PWM pin can be used to control the motor speed. Applying a DC voltage to the PWM pin will generate an internal PWM pulses with the "ON" duty cycle based on the applied DC voltage according to the diagram below. The internal duty ratio generated will change from 0% duty at $V_{PWM} = 0.14V_{DD}$ typically to 100% at $V_{PWM} = 0.5V_{DD}$.



- Notes:
- While using pulse mode PWM, the "High" value of the input pulse should be higher than $0.5 \times V_{DD}$ and the "Low" value should be lower than $0.14 \times V_{DD}$.
 - The lower-limit for the PWM pulse frequency is 200Hz, and the recommended frequency range is higher than 30kHz where the PWM input pulses will not generate acoustic noise.
 - The "PWM" pin contains an internal pull-up resistor, so the AH9485/86 will rotate at full-speed (100% ON) when this pin is left un-connected (floating).

b) Pulse Mode PWM:

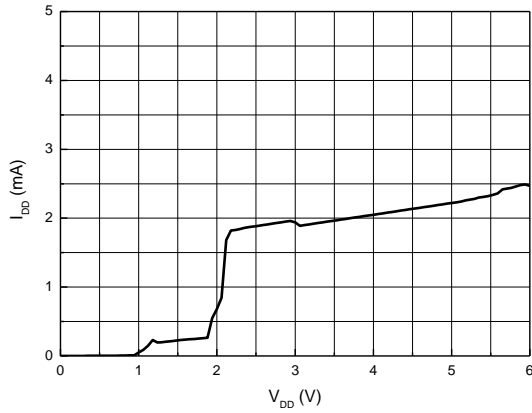
External PWM pulses can be applied directly to the PWM pin to control the speed. The AH9485/86 will pass this pulse to the coil driver with the original duty-cycle ratio. While using pulse mode PWM, the "High" value of the input pulse should be higher than $0.5 \times V_{DD}$ and the "Low" value should be lower than $0.14 \times V_{DD}$. The lower-limit for the PWM pulse frequency is 200Hz, and the recommended frequency range is higher than 30kHz to help prevent acoustic noise related to the switching.

Soft Switching

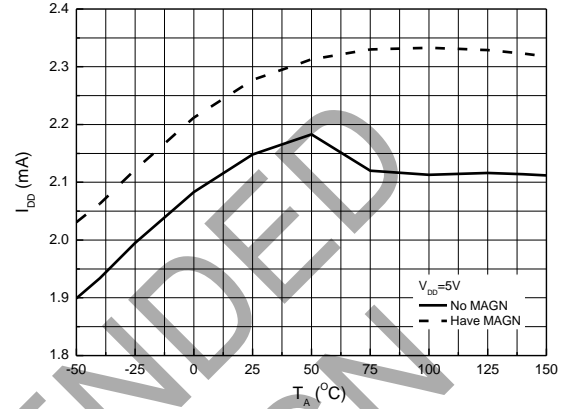
AH9485/86 use soft switching of the motor coil current during commutation to minimize audible switching noise and electromagnetic Interference (EMI) to provide a low noise solution.

Performance Characteristics

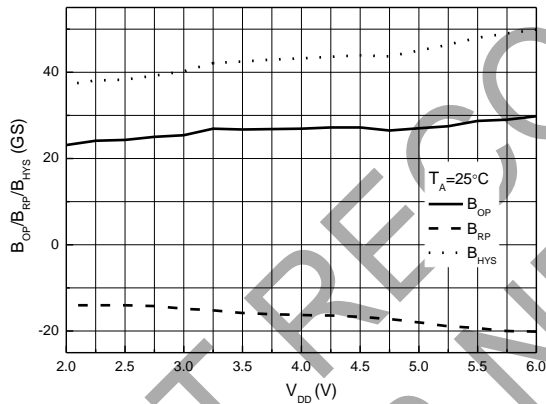
Supply Current I_{DD} vs. Supply Voltage V_{DD}



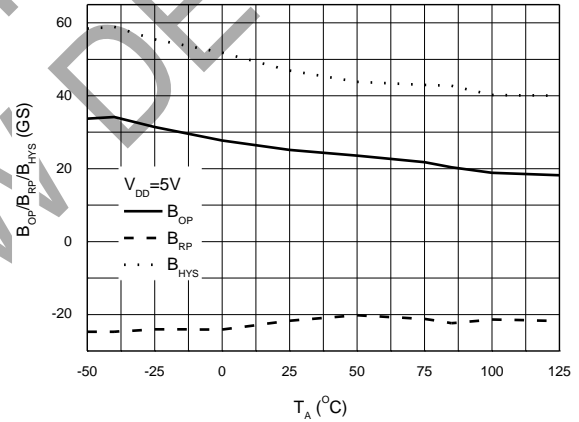
Supply Current I_{DD} vs. Operating Temperature T_A



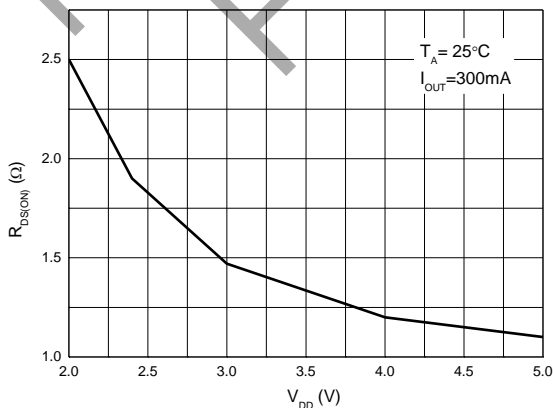
Operating Switch Points B_{OP} , B_{RP} & B_{HYS} vs. Supply Voltage V_{DD}



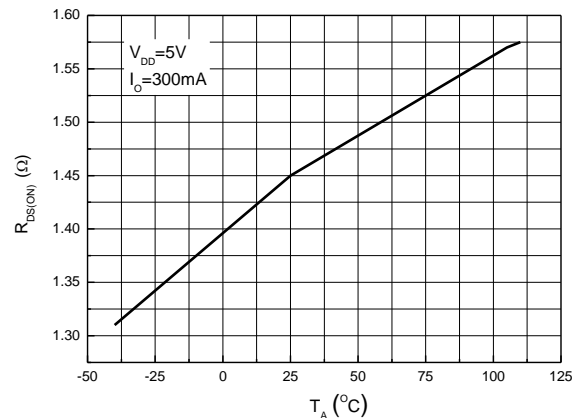
Operating Switch Points B_{OP} , B_{RP} & B_{HYS} vs. Operating Temperature T_A



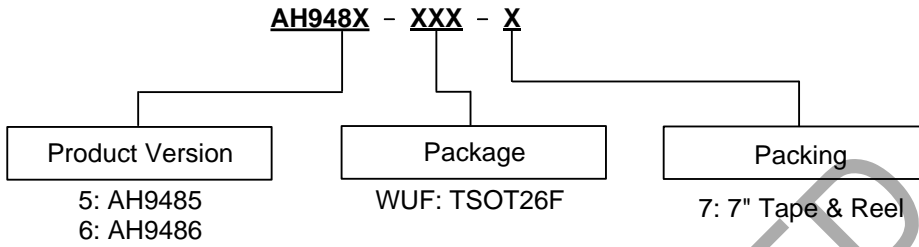
High+Low Side $R_{DS(ON)}$ vs. Supply Voltage V_{DD}



High+Low Side $R_{DS(ON)}$ vs. Operating Temperature T_A



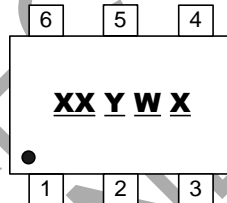
Ordering Information



Part Number	Package Code	Packaging	7" Tape and Reel	
			Quantity	Part Number Suffix
AH9485-WUF-7	WUF	TSOT26F	3000/Tape & Reel	-7
AH9486-WUF-7	WUF	TSOT26F	3000/Tape & Reel	-7

Marking Information

(Top View)



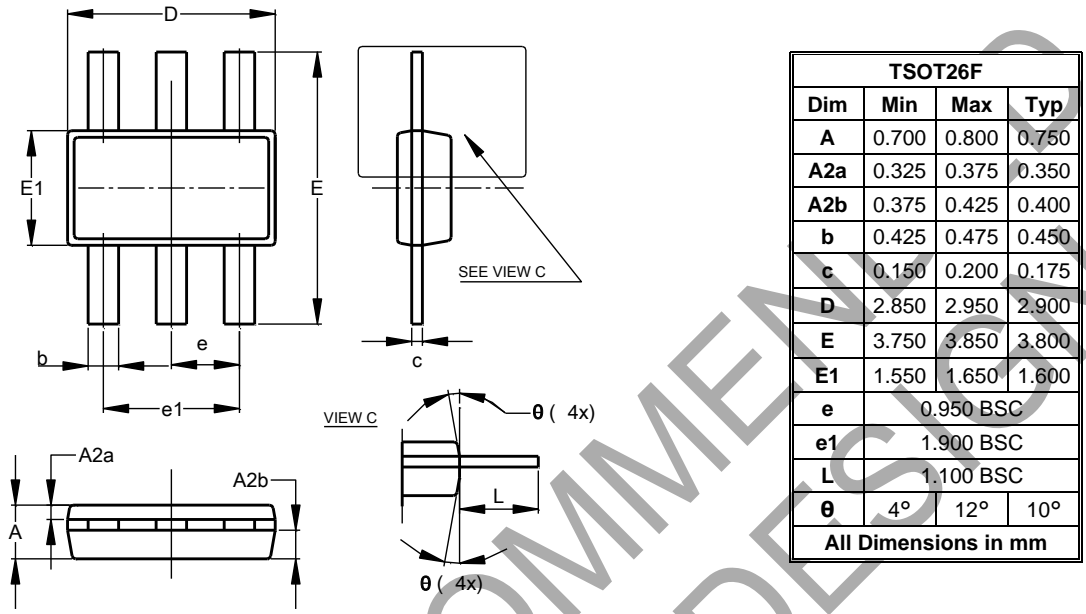
- XX : Identification Code
- Y : Year 0~9
- W : Week : A~Z : 1~26 Week;
a~z : 27~52 Week;
z Represents 52 and 53 Week
- X : Internal Code

Part Number	Package	Identification Code
AH9485-WUF-7	TSOT26F	H5
AH9486-WUF-7	TSOT26F	H6

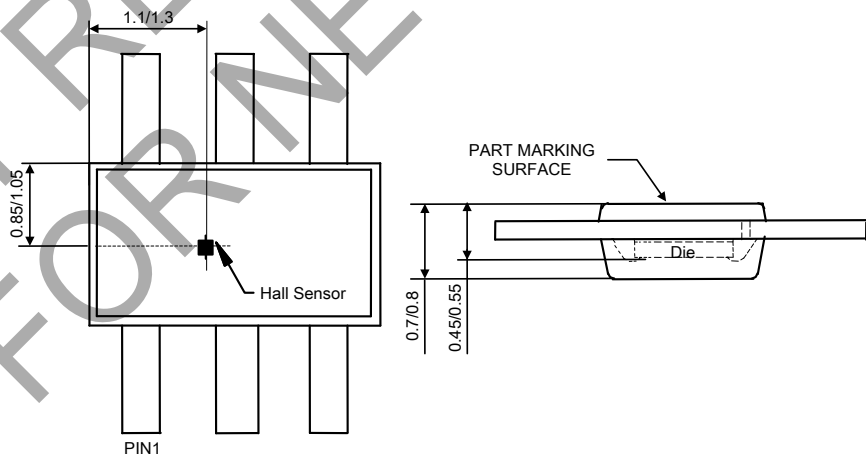
Package Outline Dimensions (All dimensions in mm.)

Please see <http://www.diodes.com/package-outlines.html> for the latest version.

(1) Package Type: TSOT26F

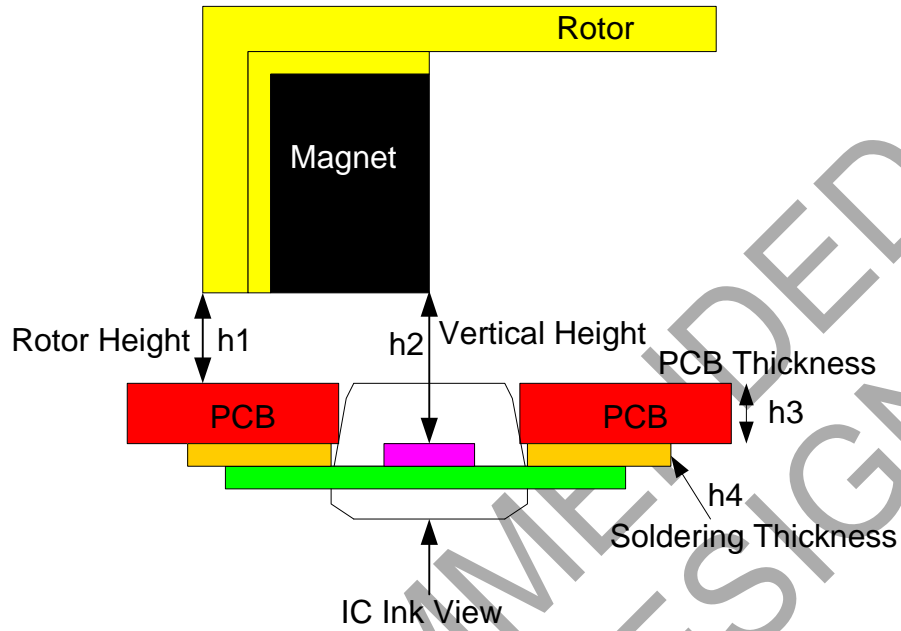


Min/Max(in mm)



Sensor Location

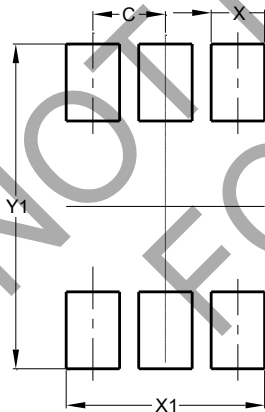
Mechanical Structure



Suggested Pad Layout

Please see <http://www.diodes.com/package-outlines.html> for the latest version.

(1) Package Type: TSOT26F



Dimensions	Value (in mm)
C	0.950
X	0.700
X1	2.600
Y	1.000
Y1	4.220

IMPORTANT NOTICE

1. DIODES INCORPORATED (Diodes) AND ITS SUBSIDIARIES MAKE NO WARRANTY OF ANY KIND, EXPRESS OR IMPLIED, WITH REGARDS TO ANY INFORMATION CONTAINED IN THIS DOCUMENT, INCLUDING, BUT NOT LIMITED TO, THE IMPLIED WARRANTIES OF MERCHANTABILITY, FITNESS FOR A PARTICULAR PURPOSE OR NON-INFRINGEMENT OF THIRD PARTY INTELLECTUAL PROPERTY RIGHTS (AND THEIR EQUIVALENTS UNDER THE LAWS OF ANY JURISDICTION).
2. The Information contained herein is for informational purpose only and is provided only to illustrate the operation of Diodes' products described herein and application examples. Diodes does not assume any liability arising out of the application or use of this document or any product described herein. This document is intended for skilled and technically trained engineering customers and users who design with Diodes' products. Diodes' products may be used to facilitate safety-related applications; however, in all instances customers and users are responsible for (a) selecting the appropriate Diodes products for their applications, (b) evaluating the suitability of Diodes' products for their intended applications, (c) ensuring their applications, which incorporate Diodes' products, comply the applicable legal and regulatory requirements as well as safety and functional-safety related standards, and (d) ensuring they design with appropriate safeguards (including testing, validation, quality control techniques, redundancy, malfunction prevention, and appropriate treatment for aging degradation) to minimize the risks associated with their applications.
3. Diodes assumes no liability for any application-related information, support, assistance or feedback that may be provided by Diodes from time to time. Any customer or user of this document or products described herein will assume all risks and liabilities associated with such use, and will hold Diodes and all companies whose products are represented herein or on Diodes' websites, harmless against all damages and liabilities.
4. Products described herein may be covered by one or more United States, international or foreign patents and pending patent applications. Product names and markings noted herein may also be covered by one or more United States, international or foreign trademarks and trademark applications. Diodes does not convey any license under any of its intellectual property rights or the rights of any third parties (including third parties whose products and services may be described in this document or on Diodes' website) under this document.
5. Diodes' products are provided subject to Diodes' Standard Terms and Conditions of Sale (<https://www.diodes.com/about/company/terms-and-conditions/terms-and-conditions-of-sales/>) or other applicable terms. This document does not alter or expand the applicable warranties provided by Diodes. Diodes does not warrant or accept any liability whatsoever in respect of any products purchased through unauthorized sales channel.
6. Diodes' products and technology may not be used for or incorporated into any products or systems whose manufacture, use or sale is prohibited under any applicable laws and regulations. Should customers or users use Diodes' products in contravention of any applicable laws or regulations, or for any unintended or unauthorized application, customers and users will (a) be solely responsible for any damages, losses or penalties arising in connection therewith or as a result thereof, and (b) indemnify and hold Diodes and its representatives and agents harmless against any and all claims, damages, expenses, and attorney fees arising out of, directly or indirectly, any claim relating to any noncompliance with the applicable laws and regulations, as well as any unintended or unauthorized application.
7. While efforts have been made to ensure the information contained in this document is accurate, complete and current, it may contain technical inaccuracies, omissions and typographical errors. Diodes does not warrant that information contained in this document is error-free and Diodes is under no obligation to update or otherwise correct this information. Notwithstanding the foregoing, Diodes reserves the right to make modifications, enhancements, improvements, corrections or other changes without further notice to this document and any product described herein. This document is written in English but may be translated into multiple languages for reference. Only the English version of this document is the final and determinative format released by Diodes.
8. Any unauthorized copying, modification, distribution, transmission, display or other use of this document (or any portion hereof) is prohibited. Diodes assumes no responsibility for any losses incurred by the customers or users or any third parties arising from any such unauthorized use.
9. This Notice may be periodically updated with the most recent version available at <https://www.diodes.com/about/company/terms-and-conditions/important-notice>

The Diodes logo is a registered trademark of Diodes Incorporated in the United States and other countries.
All other trademarks are the property of their respective owners.
© 2024 Diodes Incorporated. All Rights Reserved.

www.diodes.com

OUR CERTIFICATE

DiGi provide top-quality products and perfect service for customer worldwide through standardization, technological innovation and continuous improvement. DiGi through third-party certification, we stricly control the quality of products and services. Welcome your RFQ to

Email: Info@DiGi-Electronics.com



Tel: +00 852-30501935

RFQ Email: Info@DiGi-Electronics.com

DiGi is a global authorized distributor of electronic components.