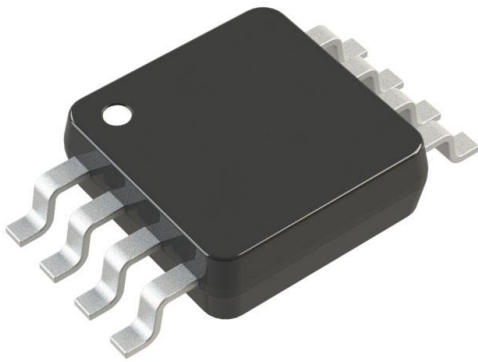


AP2820EMMTR-G1 Datasheet

www.digi-electronics.com



<https://www.DiGi-Electronics.com>

DiGi Electronics Part Number	AP2820EMMTR-G1-DG
Manufacturer	Diodes Incorporated
Manufacturer Product Number	AP2820EMMTR-G1
Description	IC PWR SWITCH N-CHAN 1:1 8MSOP
Detailed Description	Power Switch/Driver 1:1 N-Channel 2.5A 8-MSOP



Tel: +00 852-30501935

RFQ Email: Info@DiGi-Electronics.com

DiGi is a global authorized distributor of electronic components.

Purchase and inquiry

Manufacturer Product Number:

AP2820EMMTR-G1

Series:

-

Switch Type:

USB Switch

Ratio - Input:Output:

1:1

Output Type:

N-Channel

Voltage - Load:

2.7V ~ 5.5V

Current - Output (Max):

2.5A

Input Type:

Non-Inverting

Fault Protection:

Current Limiting (Fixed), Over Temperature, Reverse Current, UVLO

Mounting Type:

Surface Mount

Package / Case:

8-TSSOP, 8-MSOP (0.118", 3.00mm Width)

Manufacturer:

Diodes Incorporated

Product Status:

Obsolete

Number of Outputs:

1

Output Configuration:

High Side

Interface:

On/Off

Voltage - Supply (Vcc/Vdd):

Not Required

Rds On (Typ):

60mOhm

Features:

Status Flag

Operating Temperature:

-40°C ~ 85°C (TA)

Supplier Device Package:

8-MSOP

Base Product Number:

AP2820

Environmental & Export classification

RoHS Status:

ROHS3 Compliant

REACH Status:

REACH Unaffected

HTSUS:

8542.39.0001

Moisture Sensitivity Level (MSL):

3 (168 Hours)

ECCN:

EAR99



PART OBSOLETE –
USE [AP22811AM8-13](#), [AP22811BM8-13](#)

AP2820

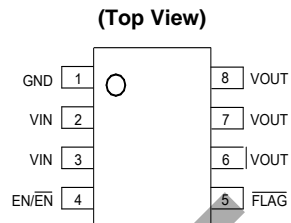
2.0A HIGH-SIDE POWER DISTRIBUTION SWITCH WITH ENABLE AND FLAG

Description

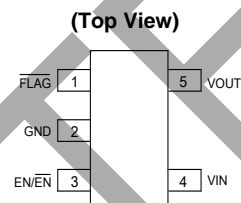
The AP2820 is an integrated high-side power switch that consists of TTL compatible enables input, a charge pump, and N-Channel MOSFET. The switch's low RDS (ON), 70mΩ, meets USB voltage drop requirements. The device includes soft-start to limit inrush current, overcurrent protection with foldback, and thermal shutdown to avoid switch failure during hot plug-in. Undervoltage lockout (UVLO) function ensures the device remains off unless there is a valid input voltage present. A flag output is available to indicate fault conditions to the local USB controller.

The AP2820 is available in standard packages of SOIC-8, MSOP-8, and SOT-23-5.

Pin Assignments



SOIC-8/MSOP-8



SOT-23-5

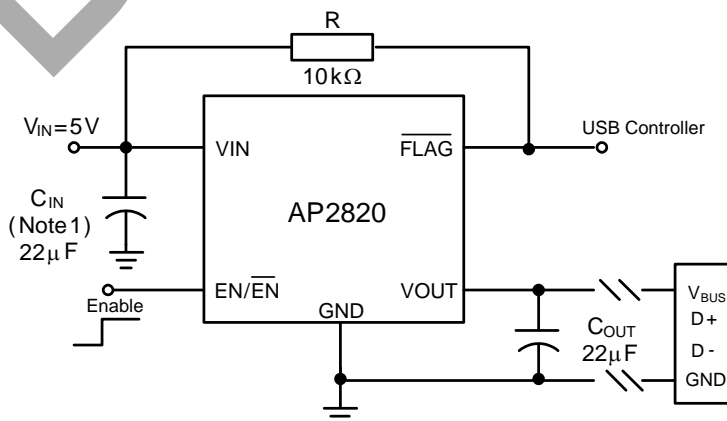
Features

- Low MOSFET on Resistance: 70mΩ @ $V_{DD}=5.0V$
- Compliant to USB Specifications
- Operating Voltage Range: 2.7V to 6V
- Low Shutdown Current: <1μA
- Guarantee 2.0A Continuous Load
- Current Limit: 2.2A (Minimum), 3.2A (Maximum)
- Undervoltage Lockout
- Soft Start-up
- Overcurrent Protection
- Overtemperature Protection
- Load Short Protection With Foldback
- No Reverse Current When Power Off
- Deglitched Flag Output with Open Drain
- UL Approved (Code TBD)

Applications

- USB Power Management
- USB Bus/Self Powered Hubs
- Hot-Plug Power Supplies
- Battery-Charger Circuits
- Notebook, Motherboard PCs

Typical Applications Circuit



Note: 1. 1μF input capacitor is enough in most application cases. If the PCB trace of power rail to V_{IN} is long, larger input capacitor is necessary.



AP2820

Pin Descriptions

Pin Number		Pin Name	Function
SOIC-8/MSOP-8	SOT-23-5		
1	2	GND	Ground
2, 3	4	VIN	Supply Input Pin
4	3	EN/ $\overline{\text{EN}}$	Chip Enable Control Input, Active Low or High
5	1	$\overline{\text{FLAG}}$	Fault Flag Pin, Output With Open Drain, Requires a Pull-Up Resistor in Application, Active Low To Indicate OCP or OTP
6, 7, 8	5	VOUT	Switch Output Voltage

Absolute Maximum Ratings (Note 2)

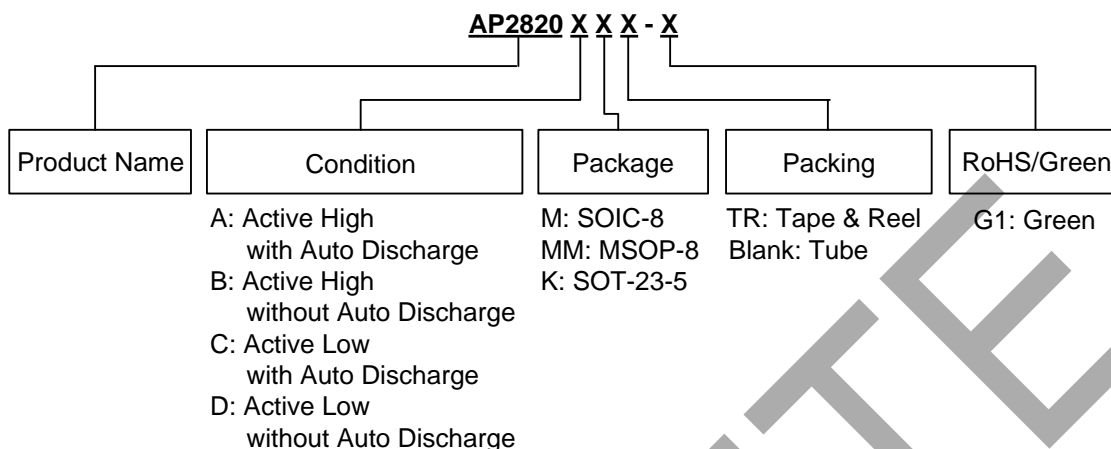
Symbol	Parameter	Rating		Unit
V _{IN}	Power Supply Voltage	6.5		V
T _J	Operating Junction Temperature Range	+150		°C
T _{STG}	Storage Temperature Range	-65 to +150		°C
T _{LEAD}	Lead Temperature (Soldering, 10s)	+260		°C
θ _{JA}	Thermal Resistance (Junction to Ambient)	SOIC-8	TBD	°C/W
		MSOP-8	TBD	
		SOT-23-5	TBD	
—	ESD (Machine Model)	200		V
—	ESD (Human Body Model)	2000		V

Note: 2. Stresses greater than those listed under *Absolute Maximum Ratings* can cause permanent damage to the device. These are stress ratings only, and functional operation of the device at these or any other conditions beyond those indicated under *Recommended Operating Conditions* is not implied. Exposure to *Absolute Maximum Ratings* for extended periods can affect device reliability.

Recommended Operating Conditions

Symbol	Parameter	Min	Max	Unit
V _{IN}	Supply Voltage	2.7	6.0	V
T _A	Ambient Operation Temperature Range	-40	+85	°C

Ordering Information

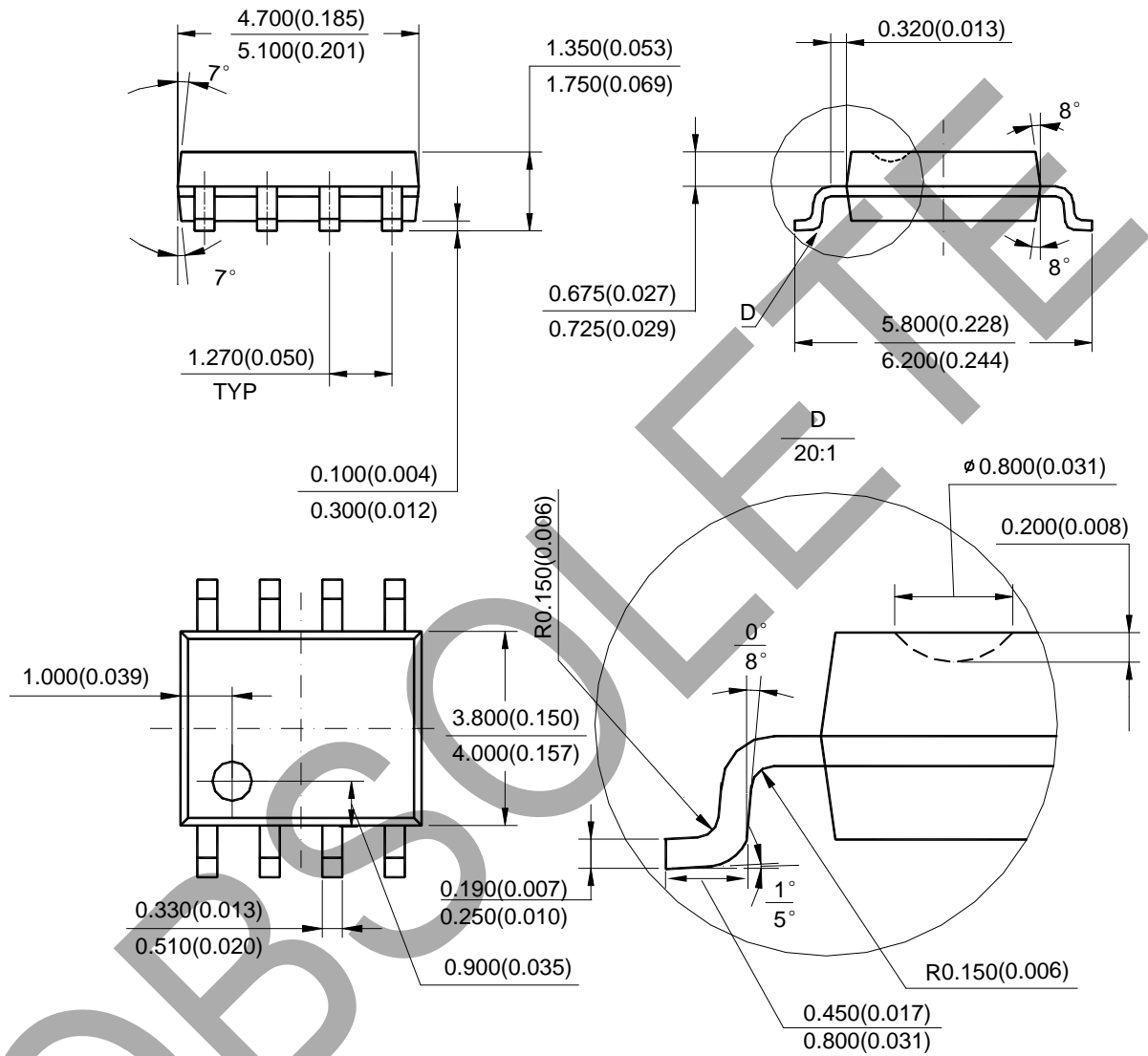


Product	Package	Condition	Temperature Range	Part Number	Marking ID	Packing
AP2820	SOIC-8	Active High With Auto Discharge	-40°C to +85°C	AP2820AM-G1 (EOL)	2820AM-G1	Tube
				AP2820AMTR-G1 (EOL)	2820AM-G1	Tape & Reel
	MSOP-8			AP2820AMM-G1 (EOL)	2820AMM-G1	Tube
				AP2820AMMTR-G1 (EOL)	2820AMM-G1	Tape & Reel
	SOT-23-5			AP2820AKTR-G1 (EOL)	GCW	Tape & Reel
	SOIC-8	Active High Without Auto Discharge	-40°C to +85°C	AP2820BM-G1 (EOL)	2820BM-G1	Tube
				AP2820BMTR-G1 (EOL)	2820BM-G1	Tape & Reel
	MSOP-8			AP2820BMM-G1 (EOL)	2820BMM-G1	Tube
				AP2820BMMTR-G1 (EOL)	2820BMM-G1	Tape & Reel
	SOT-23-5			AP2820BKTR-G1 (EOL)	G6Z	Tape & Reel
	SOIC-8	Active Low With Auto Discharge	-40°C to +85°C	AP2820CM-G1 (EOL)	2820CM-G1	Tube
				AP2820CMTR-G1 (EOL)	2820CM-G1	Tape & Reel
	MSOP-8			AP2820CMM-G1 (EOL)	2820CMM-G1	Tube
				AP2820CMMTR-G1 (EOL)	2820CMM-G1	Tape & Reel
	SOT-23-5			AP2820CKTR-G1 (EOL)	GCZ	Tape & Reel
	SOIC-8	Active Low Without Auto Discharge	-40°C to +85°C	AP2820DM-G1 (EOL)	2820DM-G1	Tube
	AP2820DMTR-G1 (EOL)			2820DM-G1	Tape & Reel	
MSOP-8	AP2820DMM-G1 (EOL)			2820DMM-G1	Tube	
	AP2820DMMTR-G1 (EOL)			2820DMM-G1	Tape & Reel	
SOT-23-5			AP2820DKTR-G1 (EOL)	G7Z	Tape & Reel	

Note: 3. End of life (EOL).

Package Outline Dimensions (All dimensions in mm (inch).)

(1) Package Type: SOIC-8



Note: Eject hole, oriented hole and mold mark is optional.

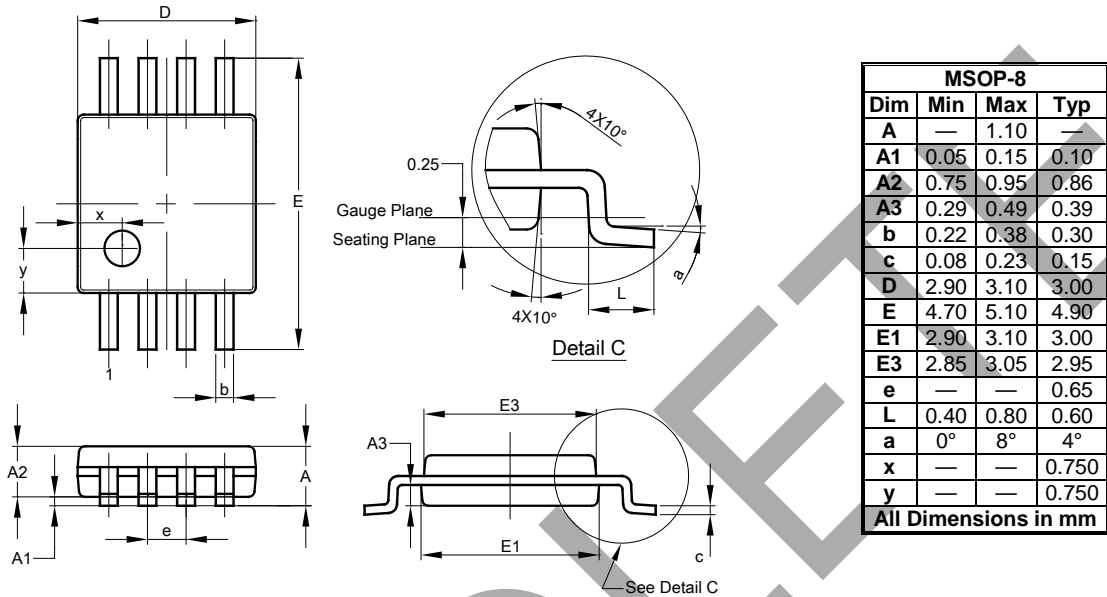
OBSOLETE - PART DISCONTINUED

Package Outline Dimensions (continued) (All dimensions in mm(inch).)

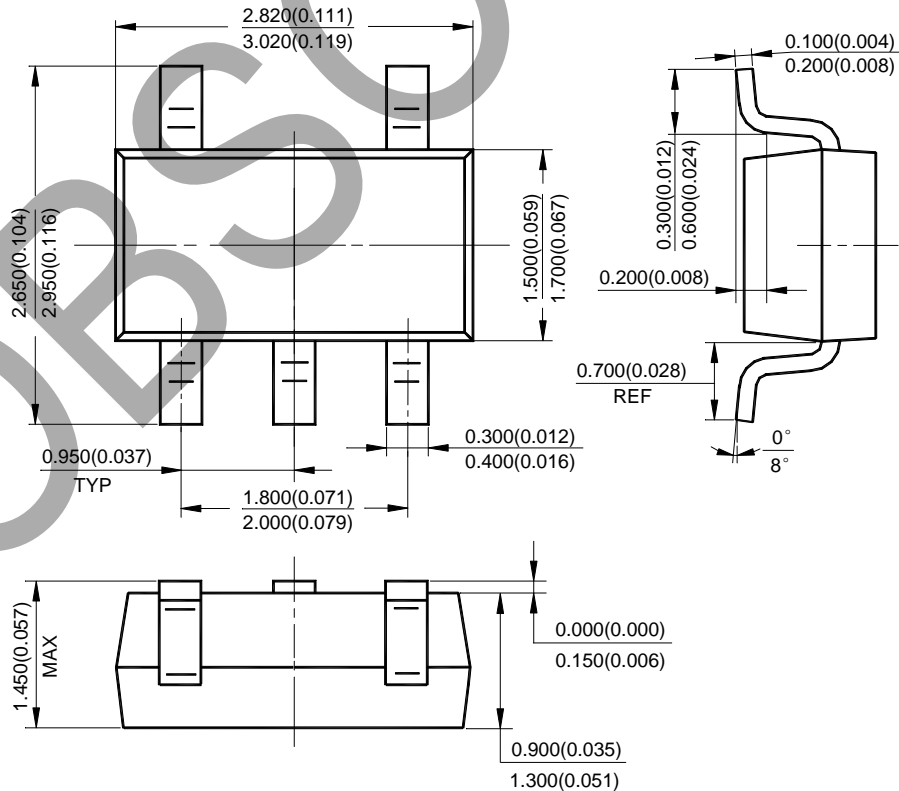
Please see <http://www.diodes.com/package-outlines.html> for the latest version.

(2) Package Type: MSOP-8

MSOP-8



(3) Package Type: SOT-23-5



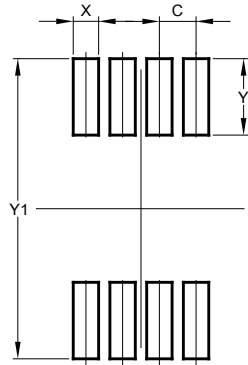
OBSOLETE - PART DISCONTINUED

Suggested Pad Layout (All dimensions in mm(inch).)

Please see <http://www.diodes.com/package-outlines.html> for the latest version.

(1) Package Type: MSOP-8

MSOP-8



Dimensions	Value (in mm)
C	0.650
X	0.450
Y	1.350
Y1	5.300

OBSOLETE - PART DISCONTINUED

OBSOLETE



IMPORTANT NOTICE

DIODES INCORPORATED MAKES NO WARRANTY OF ANY KIND, EXPRESS OR IMPLIED, WITH REGARDS TO THIS DOCUMENT, INCLUDING, BUT NOT LIMITED TO, THE IMPLIED WARRANTIES OF MERCHANTABILITY AND FITNESS FOR A PARTICULAR PURPOSE (AND THEIR EQUIVALENTS UNDER THE LAWS OF ANY JURISDICTION).

Diodes Incorporated and its subsidiaries reserve the right to make modifications, enhancements, improvements, corrections or other changes without further notice to this document and any product described herein. Diodes Incorporated does not assume any liability arising out of the application or use of this document or any product described herein; neither does Diodes Incorporated convey any license under its patent or trademark rights, nor the rights of others. Any Customer or user of this document or products described herein in such applications shall assume all risks of such use and will agree to hold Diodes Incorporated and all the companies whose products are represented on Diodes Incorporated website, harmless against all damages.

Diodes Incorporated does not warrant or accept any liability whatsoever in respect of any products purchased through unauthorized sales channel. Should Customers purchase or use Diodes Incorporated products for any unintended or unauthorized application, Customers shall indemnify and hold Diodes Incorporated and its representatives harmless against all claims, damages, expenses, and attorney fees arising out of, directly or indirectly, any claim of personal injury or death associated with such unintended or unauthorized application.

Products described herein may be covered by one or more United States, international or foreign patents pending. Product names and markings noted herein may also be covered by one or more United States, international or foreign trademarks.

This document is written in English but may be translated into multiple languages for reference. Only the English version of this document is the final and determinative format released by Diodes Incorporated.

LIFE SUPPORT

Diodes Incorporated products are specifically not authorized for use as critical components in life support devices or systems without the express written approval of the Chief Executive Officer of Diodes Incorporated. As used herein:

- A. Life support devices or systems are devices or systems which:
1. are intended to implant into the body, or
 2. support or sustain life and whose failure to perform when properly used in accordance with instructions for use provided in the labeling can be reasonably expected to result in significant injury to the user.
- B. A critical component is any component in a life support device or system whose failure to perform can be reasonably expected to cause the failure of the life support device or to affect its safety or effectiveness.

Customers represent that they have all necessary expertise in the safety and regulatory ramifications of their life support devices or systems, and acknowledge and agree that they are solely responsible for all legal, regulatory and safety-related requirements concerning their products and any use of Diodes Incorporated products in such safety-critical, life support devices or systems, notwithstanding any devices- or systems-related information or support that may be provided by Diodes Incorporated. Further, Customers must fully indemnify Diodes Incorporated and its representatives against any damages arising out of the use of Diodes Incorporated products in such safety-critical, life support devices or systems.

Copyright © 2018, Diodes Incorporated

www.diodes.com

OUR CERTIFICATE

DiGi provide top-quality products and perfect service for customer worldwide through standardization, technological innovation and continuous improvement. DiGi through third-party certification, we stricly control the quality of products and services. Welcome your RFQ to

Email: Info@DiGi-Electronics.com



Tel: +00 852-30501935

RFQ Email: Info@DiGi-Electronics.com

DiGi is a global authorized distributor of electronic components.