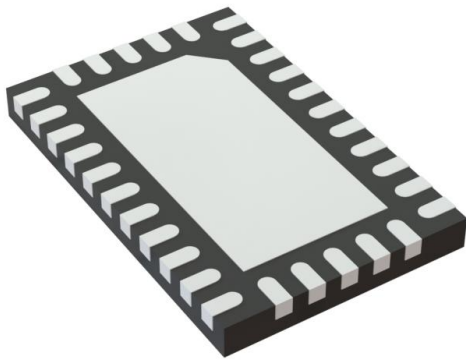


PI2DPX1217XUAEX Datasheet

www.digi-electronics.com



<https://www.DiGi-Electronics.com>

DiGi Electronics Part Number	PI2DPX1217XUAEX-DG
Manufacturer	Diodes Incorporated
Manufacturer Product Number	PI2DPX1217XUAEX
Description	ACTIVE DISPLAY X2-QFN2845-32 T&R
Detailed Description	Buffer, ReDriver 4 Channel 10Gbps 32-X2QFN (2.85 x4.5)

This model PI2DPX1217XUAEX is available at DiGi Electronics.

DiGi Electronics offers a global database of semiconductor and electronic component datasheets.

We welcome your inquiries regarding pricing, lead time, or other product-related questions.

 [Request a Quote](#)

 [Datasheet Search](#)



Tel: +00 852-30501935

RFQ Email: Info@DiGi-Electronics.com

DiGi is a global authorized distributor of electronic components.

Purchase and inquiry

Manufacturer Product Number:

PI2DPX1217XUAEX

Series:

ReDriver™

Type:

Buffer, ReDriver

Input:

-

Data Rate (Max):

10Gbps

Delay Time:

-

Voltage - Supply:

1.71V ~ 1.89V

Operating Temperature:

-40°C ~ 85°C

Package / Case:

32-XFQFN Exposed Pad

Manufacturer:

Diodes Incorporated

Product Status:

Active

Applications:

DisplayPort, USB Type C

Output:

Differential

Number of Channels:

4

Signal Conditioning:

Input Equalization, Output De-Emphasis

Current - Supply:

-

Mounting Type:

Surface Mount

Supplier Device Package:

32-X2QFN (2.85x4.5)

Environmental & Export classification

RoHS Status:

ROHS3 Compliant

REACH Status:

REACH Unaffected

HTSUS:

8542.39.0001

Moisture Sensitivity Level (MSL):

1 (Unlimited)

ECCN:

EAR99

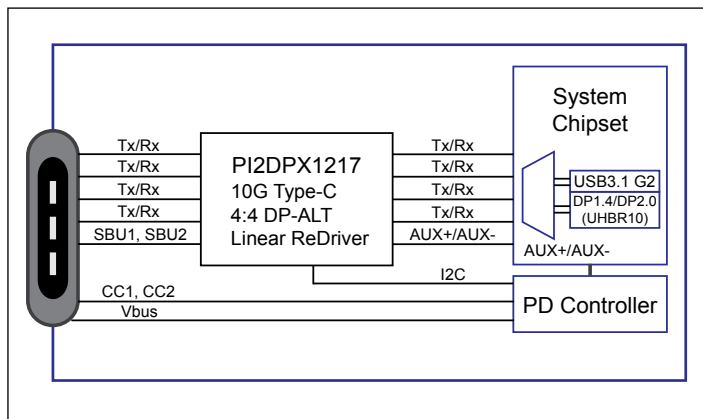
PI2DPX1217

1.8V 10Gbps USB-C DP-Alt Linear Redriver with AUX-SBU Switch

Features

- 4-to-4 channel configuration with 10Gbps linear Redriver
- Configurable for USB3.2 Gen2, USB3.2 Gen2/2-lane DP1.4/DP2.0 (UHBR10), 4-lane DP1.4/DP2.0 (UHBR10) or USB3.2 Gen2x2 operations
- Default USB3.2 Gen2x2 bypass operation during power on
- Ultra low latency (< 300ps) for better interoperability and data throughput
- Individual controls on CTLE gain, Flat Gain and Output linearity
- Integrated AUX channel crossbar switch for side band signal
- Type-C connector flip and non-flip plug support
- I2C Slave support with speed up to 1MHz
- Very low USB and DisplayPort active mode and power saving mode operation
- Single power supply: 1.8V +/-5%
- Industrial temperature support: -40°C to +85°C
- Totally Lead-Free & Fully RoHS Compliant (Notes 1 & 2)
- Halogen and Antimony Free. "Green" Device (Note 3)
- For automotive applications requiring specific change control (i.e. parts qualified to AEC-Q100/101/200, PPAP capable, and manufactured in IATF 16949 certified facilities), please [contact us](mailto:contact@diodes.com) or your local Diodes representative.
<https://www.diodes.com/quality/product-definitions/>
- Packaging (Pb-free & Green):
 - Tiny 32-pin X2QFN, (0.4 mm pitch) (XUA)

Application Example



System with USB Type-C Connector Application

Description

The PI2DPX1217 is a non-blocking USB Type-C DP-Alt mode linear Redriver™ in 4-to-4 configuration operated by 1.8v power supply. It supports four operation modes through I2C bus setting for USB3.2 Gen2, USB3.2 Gen2/2-lane DP1.4/DP2.0 (UHBR10), 4-lane DP1.4/DP2.0 (UHBR10) or USB3.2 Gen2x2 with speed up to 10Gbps per channel. It swaps the high speed channels under the flip and non-flip plug in compliance to Type-C connector with the integrated AUX crossbar switch for SBU pins.

The non-blocking linear Redriver design ensures the differential signals conveying pre-shoot and de-emphasis equalization waveforms from transmitter side to receiver side, this can help to optimize the overall channel link adjustment conducted by the system transmitter and receiver with DFE. The CTLE equalizers are implemented at the inputs of the Redriver to compensate the channel loss and reduce the ISI jitters. The programmable flat gain and linearity adjustments support the eye diagram opening.

The CTLE EQ gains, flat gains and linearity are individually programmable on each channel for flexible tuning via I2C register settings. USB channel by-pass mode is initialized at power-on as default mode to support factory setting especially for the system with only Type-C connector.

Applications

- Smart Phones
- Tablets
- Laptop PCs
- Gaming Consoles
- VR/AR Goggles
- Active Cables

Ordering Information

Part Number	Package Code	Description
PI2DPX1217XUAEX	XUA	32-pin, 2.85x4.5mm (X2QFN)

Notes:

1. No purposely added lead. Fully EU Directive 2002/95/EC (RoHS), 2011/65/EU (RoHS 2) & 2015/863/EU (RoHS 3) compliant.
2. See <https://www.diodes.com/quality/lead-free/> for more information about Diodes Incorporated's definitions of Halogen- and Antimony-free, "Green" and Lead-free.
3. Halogen- and Antimony-free "Green" products are defined as those which contain <900ppm bromine, <900ppm chlorine (<1500ppm total Br + Cl) and <1000ppm antimony compounds.
4. E = Pb-free and Green
5. X suffix = Tape/Reel

OUR CERTIFICATE

DiGi provide top-quality products and perfect service for customer worldwide through standardization, technological innovation and continuous improvement. DiGi through third-party certification, we stricly control the quality of products and services. Welcome your RFQ to

Email: Info@DiGi-Electronics.com



Tel: +00 852-30501935

RFQ Email: Info@DiGi-Electronics.com

DiGi is a global authorized distributor of electronic components.