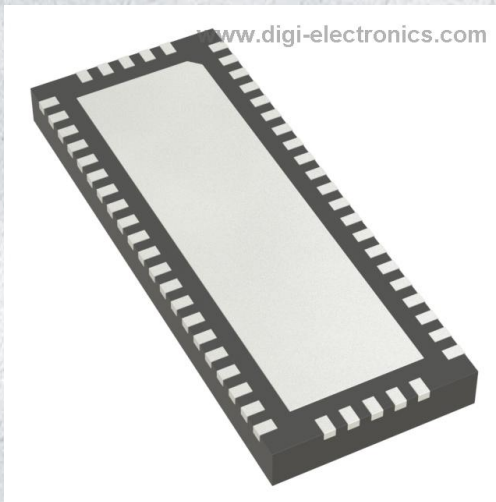


PI3WVR13612ZLEX Datasheet



<https://www.DiGi-Electronics.com>

DiGi Electronics Part Number	PI3WVR13612ZLEX-DG
Manufacturer	Diodes Incorporated
Manufacturer Product Number	PI3WVR13612ZLEX
Description	DISPLAY SWITCH W-QFN3590-52
Detailed Description	DisplayPort Switch IC 4 Channel 52-TQFN (3.5x9)



Tel: +00 852-30501935

RFQ Email: Info@DiGi-Electronics.com

DiGi is a global authorized distributor of electronic components.

Purchase and inquiry

Manufacturer Product Number:

PI3WVR13612ZLEX

Series:

DisplayPort™

Applications:

DisplayPort

Switch Circuit:

SPDT

On-State Resistance (Max):

-

Voltage - Supply, Dual (V±):

-

Features:

HDMI

Grade:

-

Mounting Type:

Surface Mount

Supplier Device Package:

52-TQFN (3.5x9)

Manufacturer:

Diodes Incorporated

Product Status:

Active

Multiplexer/Demultiplexer Circuit:

2:1

Number of Channels:

4

Voltage - Supply, Single (V+):

3V ~ 3.6V

-3db Bandwidth:

7GHz

Operating Temperature:

-40°C ~ 105°C

Qualification:

-

Package / Case:

52-WFQFN Exposed Pad

Base Product Number:

PI3WVR13612

Environmental & Export classification

RoHS Status:

ROHS3 Compliant

REACH Status:

REACH Unaffected

HTSUS:

8542.39.0001

Moisture Sensitivity Level (MSL):

1 (Unlimited)

ECCN:

EAR99

PI3WVR13612

DisplayPort 1.3/1.4, HDMI 2.0 Video Switch

Description

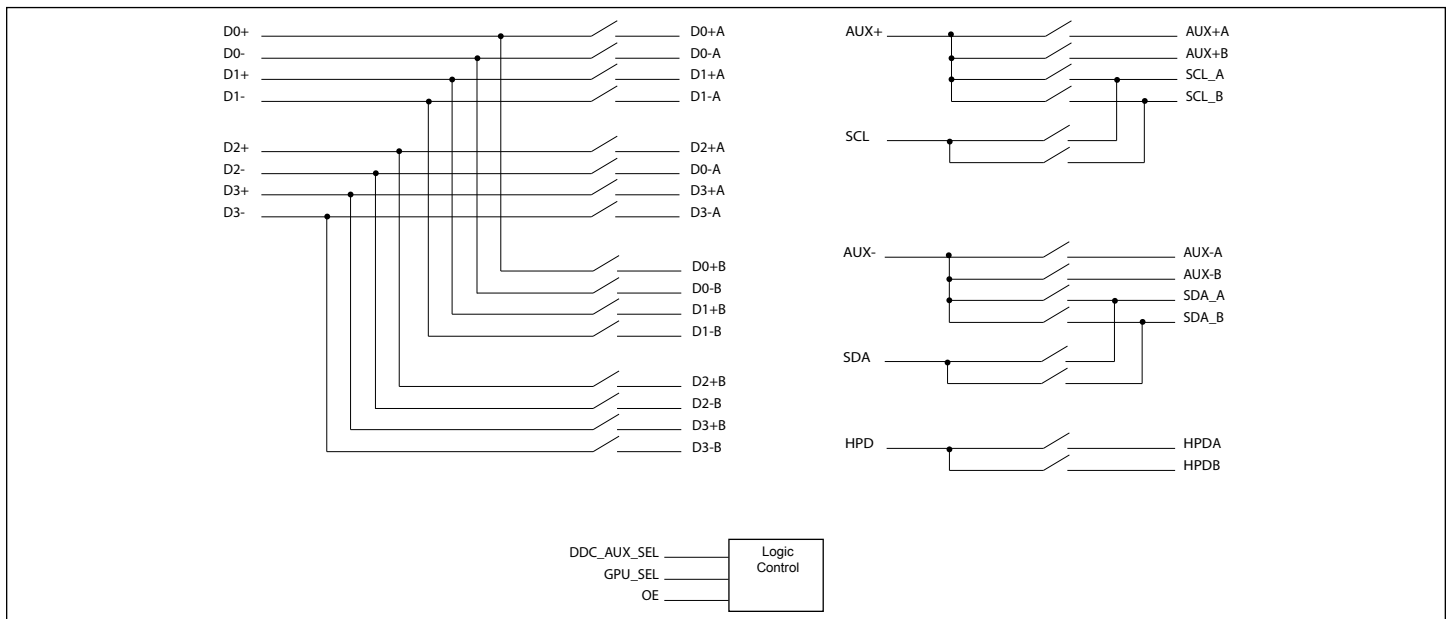
The PI3WVR13612 is a multi-standard video switch with wide voltage range capability. It supports DisplayPort 1.3/1.4, HDMI 2.0, and emerging and proprietary standards. In addition to four high-speed lanes, PI3WVR13612 also switches AUX, DDC, and HPD signals.

PI3WVR13612 can pass high-speed signals up to 1.2 V peak-to-peak differential with a common-mode voltage from 0 to 3.4V. The wide voltage range allows DC-coupled multi-standard operation. Eliminating AC coupling capacitors saves board space and improves signal integrity for dense PCB designs.

Applications

- Routing of DisplayPort and HDMI signals with low signal attenuation between source and sink.

Block Diagram



Ordering Information

Part Number	Package	Description
PI3WVR13612ZLEX	ZL	52-Pin, 3.5 x 9.0 mm (TQFN)

Notes:

1. EU Directive 2002/95/EC (RoHS), 2011/65/EU (RoHS 2) & 2015/863/EU (RoHS 3) compliant. All applicable RoHS exemptions applied.
2. See <http://www.diodes.com/quality/lead-free/> for more information about Diodes Incorporated's definitions of Halogen- and Antimony-free, "Green" and Lead-free. Thermal characteristics can be found on the company web site at www.diodes.com/design/support/packaging/
3. E = Pb-free and Green
4. X suffix = Tape/Reel

OUR CERTIFICATE

DiGi provide top-quality products and perfect service for customer worldwide through standardization, technological innovation and continuous improvement. DiGi through third-party certification, we strictly control the quality of products and services. Welcome your RFQ to

Email: Info@DiGi-Electronics.com



Tel: +00 852-30501935

RFQ Email: Info@DiGi-Electronics.com

DiGi is a global authorized distributor of electronic components.