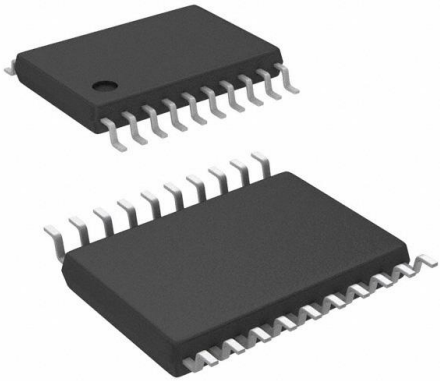


PI6C4911504D2LIE Datasheet

www.digi-electronics.com



<https://www.DiGi-Electronics.com>

DiGi Electronics Part Number	PI6C4911504D2LIE-DG
Manufacturer	Diodes Incorporated
Manufacturer Product Number	PI6C4911504D2LIE
Description	IC CLK BUFFER 2:4 650MHZ 20TSSOP
Detailed Description	Clock Fanout Buffer (Distribution), Multiplexer IC 2:4 650 MHz 20-TSSOP (0.173", 4.40mm Width)



Tel: +00 852-30501935

RFQ Email: Info@DiGi-Electronics.com

DiGi is a global authorized distributor of electronic components.

Purchase and inquiry

Manufacturer Product Number:

PI6C4911504D2LIE

Series:

-

Type:

Fanout Buffer (Distribution), Multiplexer

Ratio - Input:Output:

2:4

Input:

LVC MOS

Frequency - Max:

650 MHz

Operating Temperature:

-40°C ~ 85°C

Package / Case:

20-TSSOP (0.173", 4.40mm Width)

Base Product Number:

PI6C4911504

Manufacturer:

Diodes Incorporated

Product Status:

Active

Number of Circuits:

1

Differential - Input:Output:

Yes/Yes

Output:

LVPECL

Voltage - Supply:

2.375V ~ 3.6V

Mounting Type:

Surface Mount

Supplier Device Package:

20-TSSOP

Environmental & Export classification

RoHS Status:

ROHS3 Compliant

REACH Status:

REACH Unaffected

HTSUS:

8542.39.0001

Moisture Sensitivity Level (MSL):

1 (Unlimited)

ECCN:

EAR99



PI6C4911504D2

LVPECL Clock Buffer with ÷2 Feature

Features

- 2 pairs of selectable differential inputs
- 2 divide by 2 differential LVPECL outputs and 2 buffered outputs
- Maximum operating frequency: 650MHz
- RMS additive jitter @ 156.25MHz (12kHz – 20MHz): 30fs (typical)
- Output skew: 60ps
- Part to part skew: 200ps
- Operating voltage of 2.5V and 3.3V
- Industrial operating temperature
- Available in lead-free package

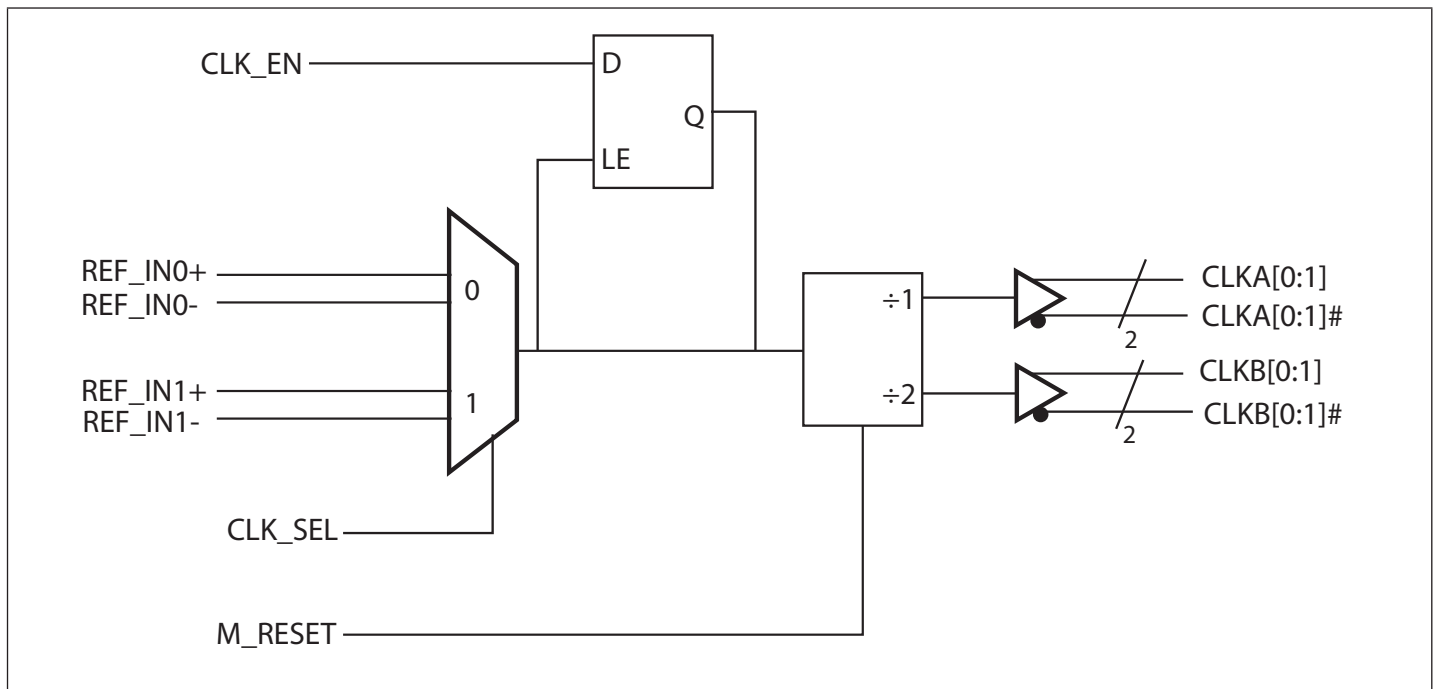
Description

PI6C4911504D2 is a high performance differential buffer with divide by 2 capability. There are also 2 selectable muxed inputs. This device is ideal for systems that need to distribute low jitter clock signals to multiple destinations with a change from the input frequency.

Applications

- Networking: 10GbE, 25GbE, 40GbE and 100GbE applications
- Telecom: Basestations and Access Points

Block Diagram

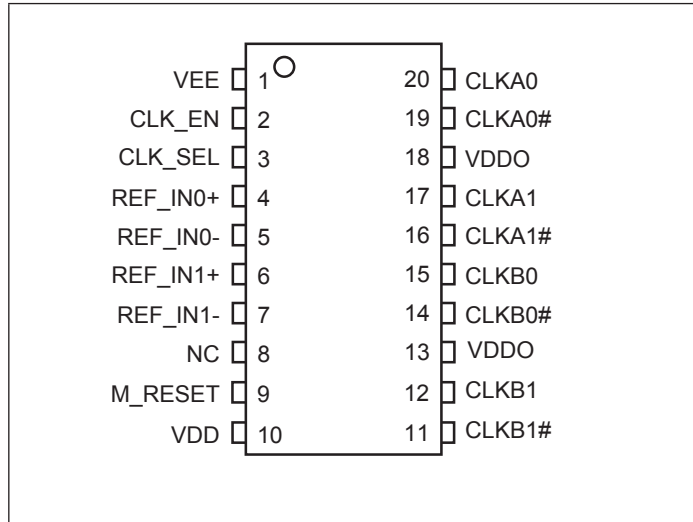




PI6C4911504D2

LVPECL Clock Buffer with ÷2 Feature

Pin Configuration



Pinout Table

Pin No.	Pin Name	I/O Type		Description
1	V _{EE}	Power		Negative supply pin
2	CLK_EN	Input	Pull up	Synchronous clock enable. When High, clock outputs follow REF_IN. When low, CLK outputs are forced low, CLK# are forced high
3	CLK_SEL	Input	Pull-down	Clock Select input. When HIGH, selects REF_IN1. When LOW, selects REF_IN0.
4	REF_IN0+	Input	Pull-down	Reference input 0
5	REF_IN0-	Input	Pull Up	Inverted reference input 0
6	REF_IN1+	Input	Pull-down	Reference input 1
7	REF_IN1-	Input	Pull up	Inverted reference input 1
8	NC	-	-	No connect
9	M_RESET	Input	Pull-down	Master Reset pin. Active High. When logic High, CLKAn and CLKBn go low and CLKAn# and CLKBn# go high. When logic Low, outputs are enabled.
10	V _{DD}	Power		Core power supply
11	CLKB1#	Output		Differential output, LVPECL signalling level
12	CLKB1	Output	-	Differential output, LVPECL signalling level
13, 18	V _{DDO}	Power		Output power supply
14	CLKB0#	Output	-	Differential output, LVPECL signalling level
15	CLKB0	Output		Differential output, LVPECL signalling level
16	CLKA1#	Output		Differential output, LVPECL signalling level
17	CLKA1	Output		Differential output, LVPECL signalling level
19	CLKA0#	Output		Differential output, LVPECL signalling level
20	CLKA0	Output		Differential output, LVPECL signalling level



PI6C4911504D2

LVPECL Clock Buffer with ÷2 Feature

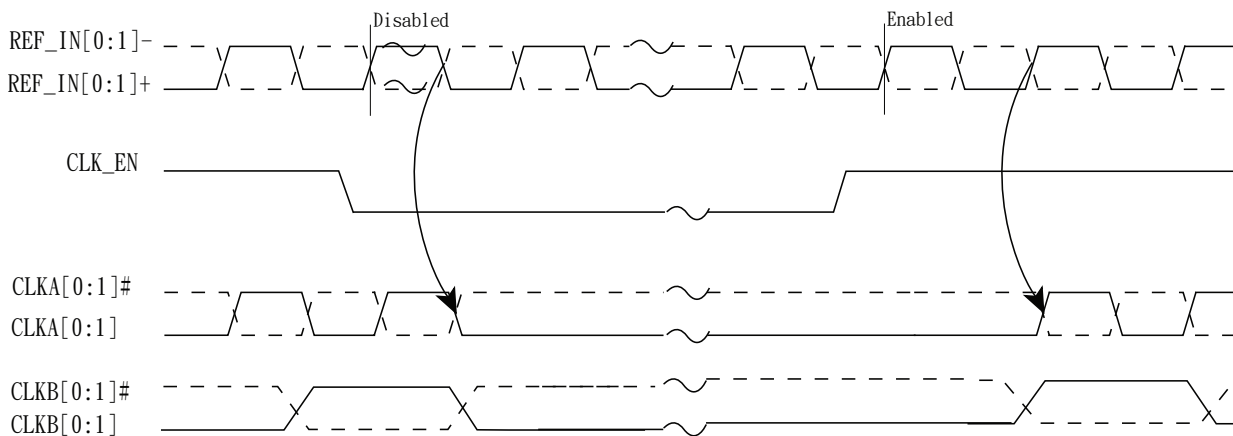
Pin Characteristics

Symbol	Parameter	Min	Typ	Max	Units
C_{IN}	Input Capacitance		4		pF
R_{PULLUP}	Input Pullup Resistor		51		k Ω
$R_{PULLDOWN}$	Input Pulldown Resistor		51		k Ω

Control Inputs

Inputs				Outputs	
M_RESET	CLK_EN	CLK_SEL	SOURCE	CLKA0, CLKA1, CLKB0, CLKB1	CLKA0#, CLKA1#, CLKB0#, CLKB1#
1	X	X	X	LOW	HIGH
0	0	0	REF_IN0, REF_IN0#	Disabled, LOW,	Disabled, HIGH
0	0	1	REF_IN1, REF_IN1#	Disabled, LOW,	Disabled, HIGH
0	1	0	REF_IN0, REF_IN0#	Enabled	Enabled
0	1	1	REF_IN1, REF_IN1#	Enabled	Enabled

CLK_EN Timing Diagram





PI6C4911504D2

LVPECL Clock Buffer with ÷2 Feature

Maximum Ratings (Over operating free-air temperature range)

Storage Temperature.....	-65°C to+155°C
Ambient Temperature with Power Applied.....	-40°C to+85°C
Supply Voltage (relative to VEE).....	-0.5 to +3.7V
ESD Protection (HBM)	2000V

Note:

Stresses greater than those listed under MAXIMUM RATINGS may cause permanent damage to the device. This is a stress rating only and functional operation of the device at these or any other conditions above those indicated in the operational sections of this specification is not implied. Exposure to absolute maximum rating conditions for extended periods may affect reliability.

DC Electrical Characteristics

Power Supply DC Characteristics, ($T_A = -40^{\circ}\text{C}$ to 85°C)

Symbol	Parameter	Condition	Min	Typ	Max	Units
V_{DD}	Core Supply Voltage		3.0	3.3	3.6	V
			2.375	2.5	2.625	
V_{DDO}	Output Supply Voltage		3.0	3.3	3.6	V
			2.375	2.5	2.625	
I_{EE}	Power Supply Current				115	mA
I_{DD}	Power Supply Current				100	mA

I_VCMOS/LVTTL DC Characteristics, ($T_A = -40^{\circ}\text{C}$ to 85°C)

Symbol	Parameter	Condition	Min	Typ	Max	Units
V_{IH}	Input High Voltage	$V_{DD} = 3.3\text{ V} \pm 10\%$	2		3.765	V
		$V_{DD} = 2.5\text{ V} \pm 5\%$	1.7		$V_{DD} + 0.3$	V
V_{IL}	Input Low Voltage	$V_{DD} = 3.3\text{ V} \pm 10\%$	-0.3		0.8	V
		$V_{DD} = 2.5\text{ V} \pm 5\%$	-0.3		0.7	V
I_{IH}	Input High Current	CLK_EN $V_{DD} = V_{IN} = 3.63\text{V}$			30	μA
		M_RESET, IN_SEL, Ref_IN $V_{DD} = V_{IN} = 3.63\text{V}$			150	
I_{IL}	Input Low Current	CLK_EN $V_{DD} = 3.63\text{V}, V_{IN} = 0\text{V}$	-150			μA
		M_RESET, IN_SEL, Ref_IN $V_{DD} = 3.63\text{V}, V_{IN} = 0\text{V}$	-30			



PI6C4911504D2

LVPECL Clock Buffer with ÷2 Feature

Differential input DC Characteristics ($T_A = -40^\circ\text{C}$ to 85°C)

Symbols	Parameters	Test Conditions	Min.	Typ	Max.	Units
I_{IH}	Input High Current	REF_IN-	$V_{DD} = V_{IN} = 3.465\text{V}$		5	uA
		REF_IN+	$V_{DD} = V_{IN} = 3.465\text{V}$		150	
I_{IL}	Input Low Current	REF_IN-	$V_{DD} = 3.465\text{V}$ or 2.625V $V_{IN} = 0\text{V}$	-150		uA
		REF_IN+		-5		uA
V_{PP}	Peak-to-Peak Input Voltage ⁽¹⁾	$V_{DD} = 3.3\text{V}$	0.15		1.3	V
		$V_{DD} = 2.5\text{V}$	0.25		1.3	
V_{CMR}	Common Mode Input Voltage ^(1,2)	$V_{DD} = 3.3\text{V}$ and 2.5V	$V_{EE} + 0.5$		$V_{DD} - 0.85$	V

Notes:

- For single ended applications, $V_{IH} = V_{DD} + 0.3\text{V}$.
- Common mode voltage is defined as V_{IH} .

LVPECL Output DC Characteristics, ($T_A = -40^\circ\text{C}$ to 85°C)

Symbol	Parameter	Condition	Min	Typ	Max	Units
V_{OH}	Output High Voltage ⁽¹⁾	$V_{DDO} = 3.3\text{V}$	1.9		2.4	V
		$V_{DDO} = 2.5\text{V}$	1.5		1.7	
V_{OL}	Output Low Voltage ⁽¹⁾	$V_{DDO} = 3.3\text{V}$	1.3		1.8	V
		$V_{DDO} = 2.5\text{V}$	0.8		1.1	

Note: 1. LVPECL Termination: Source 150ohm to GND and 100ohm across CLK and CLK#.



PI6C4911504D2

LVPECL Clock Buffer with ÷2 Feature

AC Electrical Characteristics, ($T_A = -40^\circ\text{C}$ to 85°C)

Under the test configurations shown in figures

Symbol	Parameter	Condition	Min.	Typ.	Max	Units
f_{OUT}	Output Frequency				650	MHz
t_R / t_F	Output Rise/Fall Time	20% to 80%, 3.3V operation, $\leq 312.5\text{MHz}$	200		700	ps
		20% to 80%, 2.5V operation, $\leq 312.5\text{MHz}$	160		700	ps
$t_{SK(O)}$	Output Skew	Outputs at the same loading, same bank @ 156.25MHz			65	ps
t_{PD}	Propagation Delay	From differential input to the differential output cross point, CLKA	0.8		2.0	ns
$t_{jit(A\emptyset)}$	Additive Phase Jitter, (Random) ⁽¹⁾	156.25MHz, (12kHz - 20MHz)		30		fs
		312.5MHz, (12kHz - 20MHz)		30		fs
σ_{DC}	Output Duty Cycle	Measured at 156.25MHz	48	50	52	%
V_{PP}	Output Swing	LVPECL outputs, Single-ended, 3.3V operation	0.55		1.1	V
		LVPECL outputs, Single-ended, 2.5V operation	0.5		0.75	

Note:

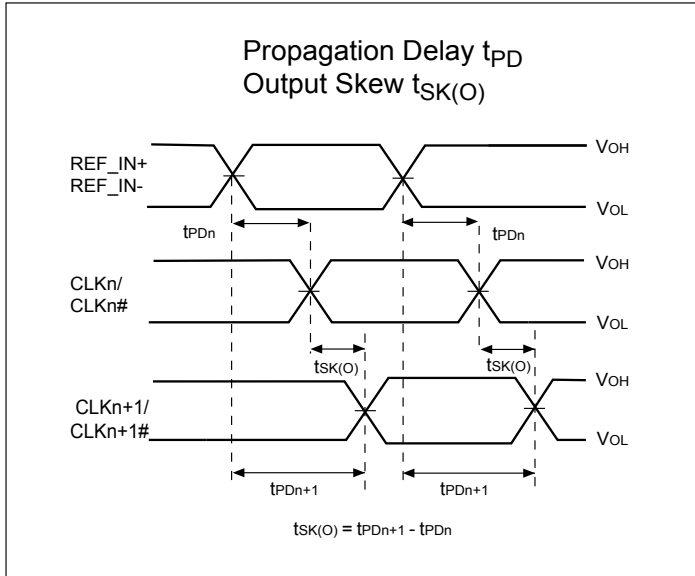
1. Please refer to the Phase Noise Plots.



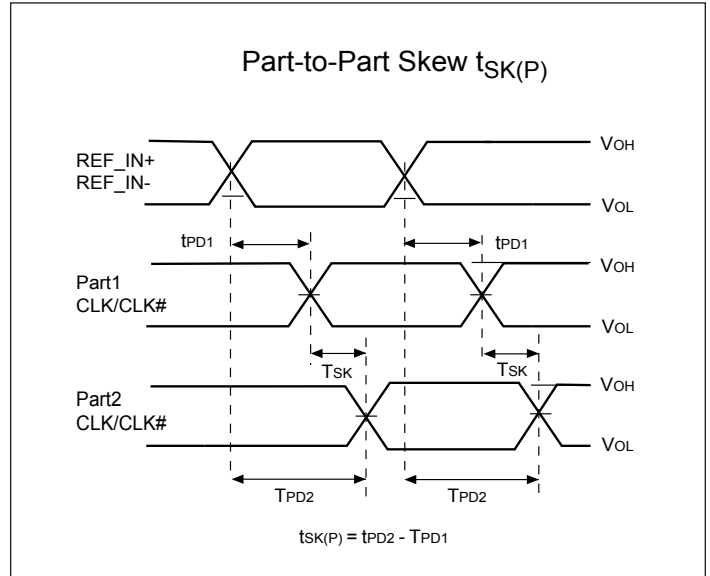
PI6C4911504D2

LVPECL Clock Buffer with ÷2 Feature

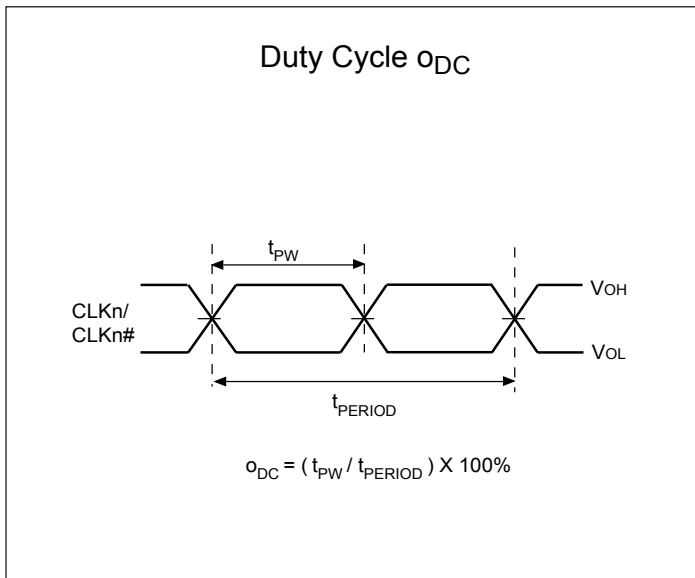
Propagation Delay and Output Skew



Part to Part Skew



Output Duty Cycle





PI6C4911504D2

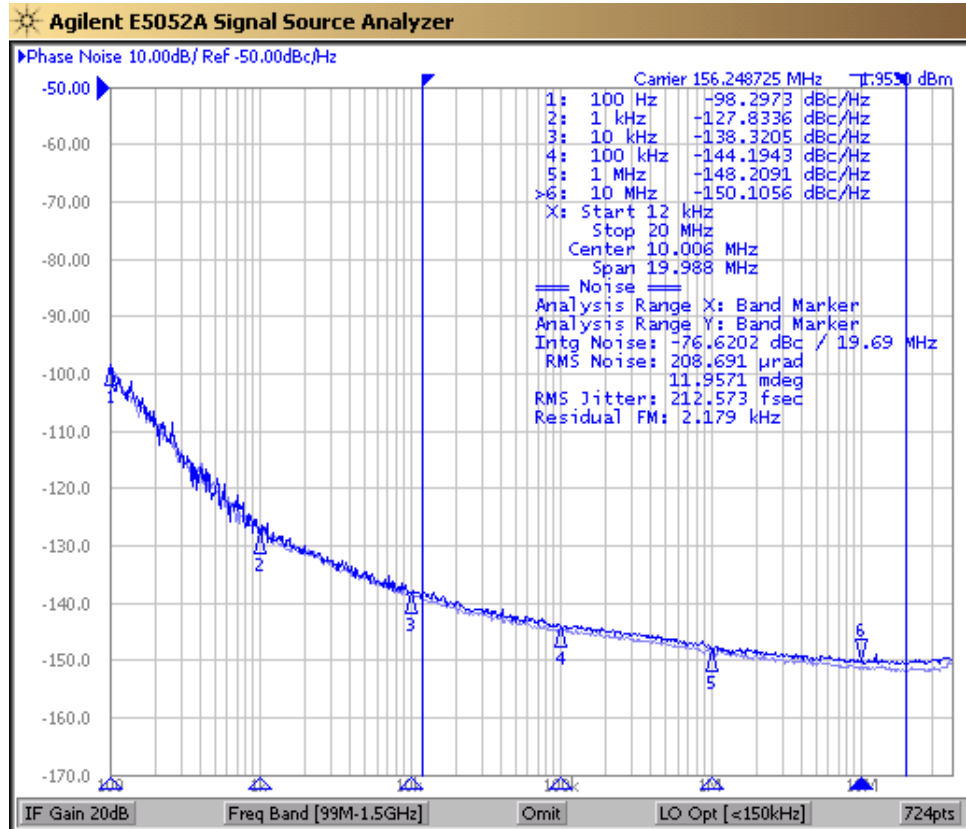
LVPECL Clock Buffer with ÷2 Feature

Phase Noise Plots

$f_{OUT} = 156.25\text{MHz}$

Output phase noise (Dark Blue) vs Input Phase noise (light blue)

Additive jitter is calculated at 156.25MHz~23fs RMS (12kHz to 20MHz). Additive jitter = $\sqrt{(\text{Output jitter}^2 - \text{Input jitter}^2)}$

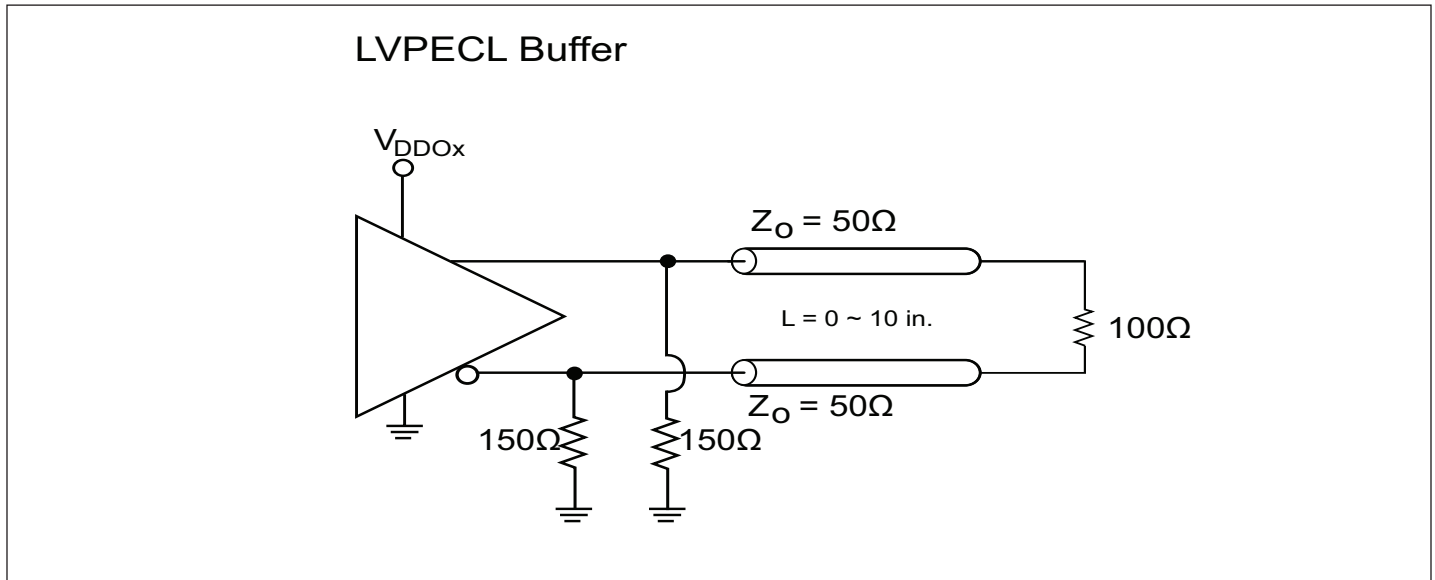




PI6C4911504D2

LVPECL Clock Buffer with ÷2 Feature

LVPECL Test Circuit





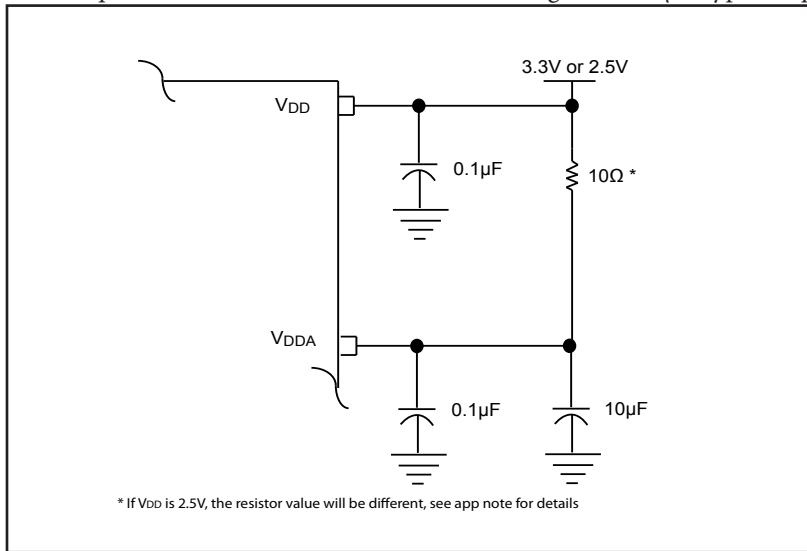
PI6C4911504D2

LVPECL Clock Buffer with ÷2 Feature

Application Information

Power Supply Filtering Techniques

As in any high speed analog circuitry, the power supply pins are vulnerable to random noise. To achieve optimum jitter performance, power supply isolation is required. The PI6C4911504D2 provides separate power supplies to isolate any high switching noise from the outputs to the internal PLL. V_{DD} , V_{DDA} and V_{DDO} should be individually connected to the power supply plane through vias, and $0.1\mu\text{F}$ bypass capacitors should be used for each pin. Figure below illustrates this for a generic V_{DD} pin and also shows that V_{DDA} requires that an additional 10Ω resistor along with a $10\mu\text{F}$ bypass capacitor be connected to the V_{DDA} pin.



Wiring the differential input to accept single ended levels

Figure 1 shows how the differential input can be wired to accept single ended levels. The reference voltage $V_{REF} = V_{DD}/2$ is generated by the bias resistors $R1$, $R2$ and $C1$. This bias circuit should be located as close as possible to the input pin. The ratio of $R1$ and $R2$ might need to be adjusted to position the V_{REF} in the center of the input voltage swing. For example, if the input clock swing is only 2.5V and $V_{DD} = 3.3\text{V}$, V_{REF} should be 1.25V and $R1/R2 = 0.609$.

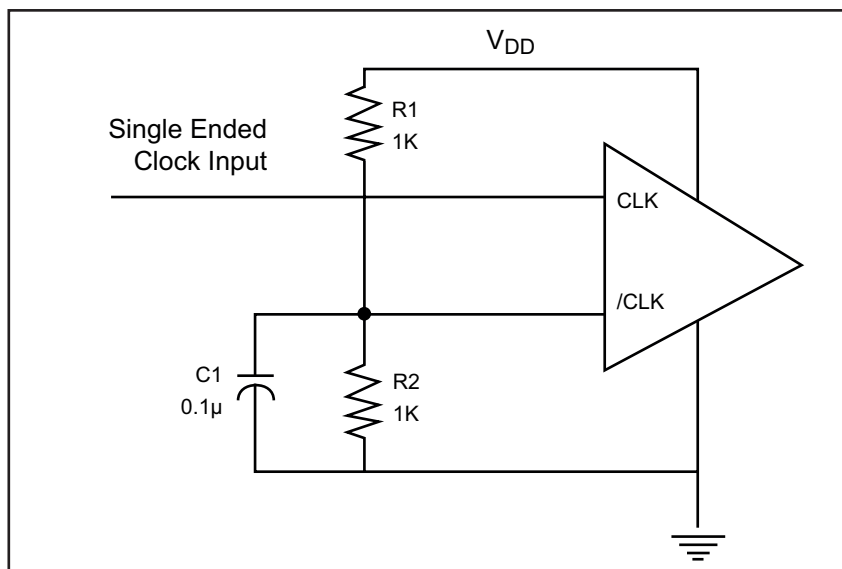


Figure 1. Single-ended input to Differential input device



PI6C4911504D2

LVPECL Clock Buffer with $\div 2$ Feature

Recommendations for Unused Input and Output Pins

Inputs:

CRef_IN Input:

For applications not requiring the use of the clock, it can be left floating. A 1k Ω resistor tied from the Ref_IN to ground can provide additional protection.

LVC MOS Control Pins:

All control pins have internal pulldowns; A 1k Ω resistor tied from each control pin to ground can provide additional protection.

Outputs:

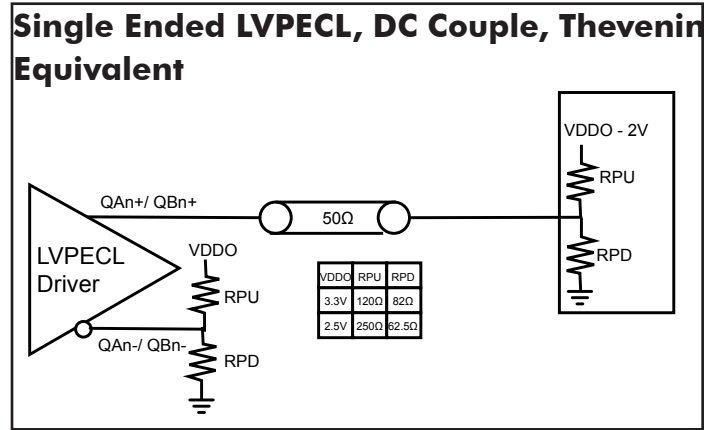
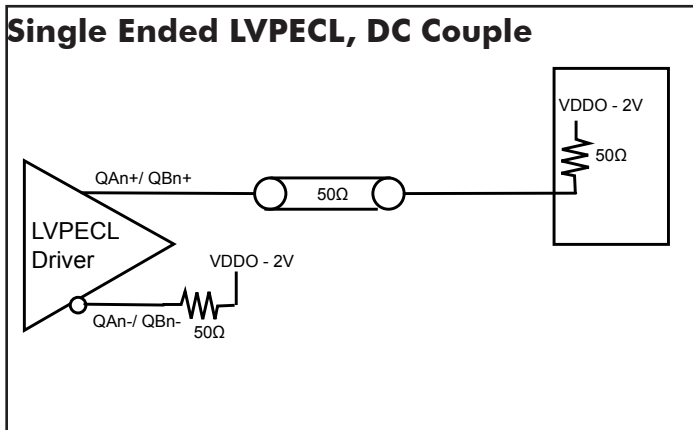
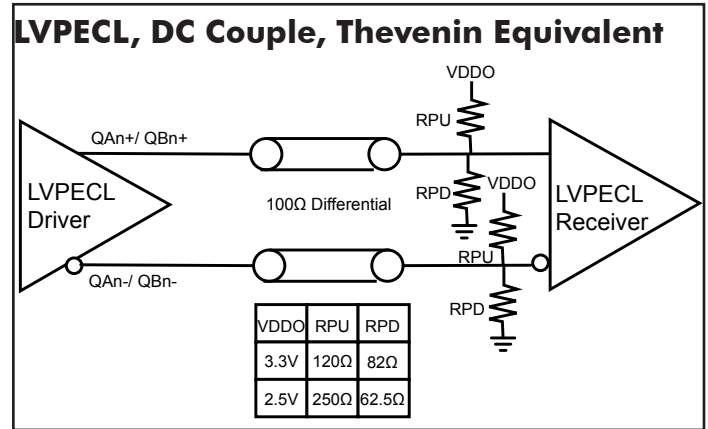
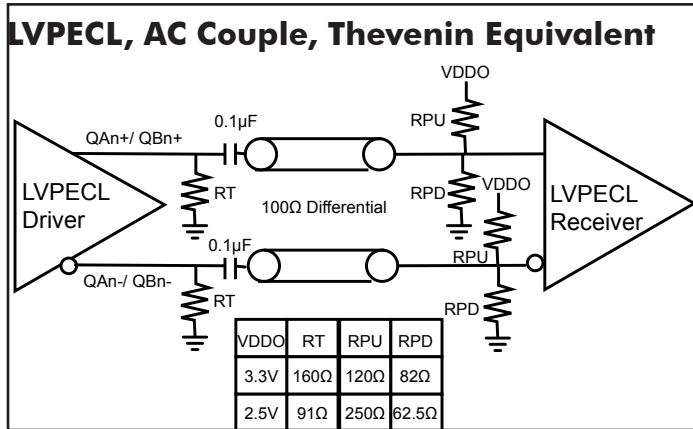
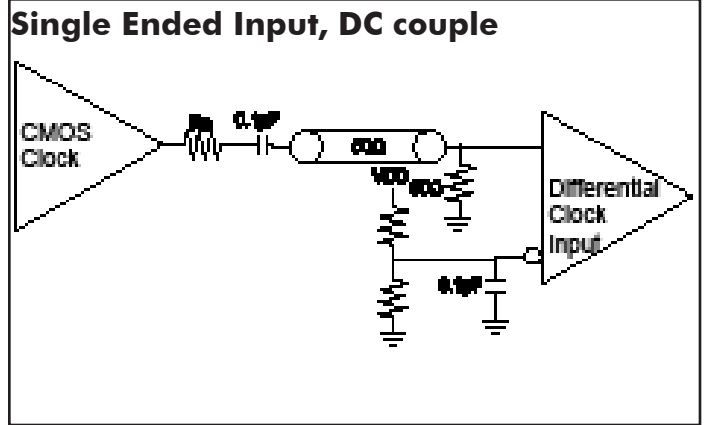
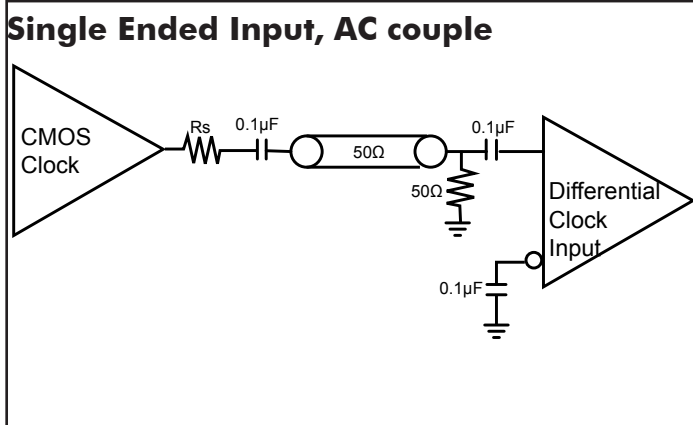
LVPECL Outputs:

All unused LVPECL outputs can be left floating. We recommend that there is no trace attached. Both sides of the differential output pair should either be left floating or terminated.



PI6C4911504D2

LVPECL Clock Buffer with ÷2 Feature

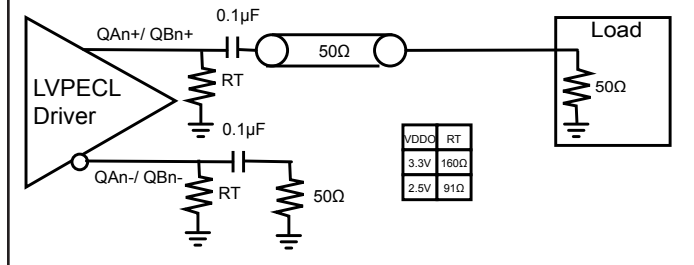




PI6C4911504D2

LVPECL Clock Buffer with ÷2 Feature

Single Ended LVPECL, AC Couple, Thevenin Equivalent



Thermal Information

Symbol	Description	Condition	
Θ_{JA}	Junction-to-ambient thermal resistance	Still air	84.0 °C/W
Θ_{JC}	Junction-to-case thermal resistance		17.0 °C/W



PI6C4911504D2

LVPECL Clock Buffer with ÷2 Feature

Packaging Mechanical: 20-Contact TSSOP (L)

VARIATIONS (ALL DIMENSIONS SHOWN IN MM)

SYMBOLS	MIN.	NOM.	MAX.
A	—	—	1.20
A1	0.05	—	0.15
A2	0.80	—	1.05
b	0.19	—	0.30
C	0.09	—	0.20
D	6.40	6.50	6.60
E1	4.30	4.40	4.50
E	6.40 BSC		
e	0.65 BSC		
L1	1.00 REF		
L	0.45	0.60	0.75
S	0.20	—	—
θ	0°	—	8°

Notes:

- Refer JEDEC MO-153F/AC
- Controlling dimensions in millimeters
- Package outline exclusive of mold flash and metal burr

DATE: 05/03/12

DESCRIPTION: 20-pin, 173mil Wide TSSOP

PACKAGE CODE: L

DOCUMENT CONTROL #: PD-1311

REVISION: F

12-0373

Ordering Information

Ordering Code	Packaging Type	Package Description	Operating Temperature
PI6C4911504D2LIE	L	Pb-free & Green, 20-pin TSSOP	Industrial
PI6C4911504D2LIEX	L	Pb-free & Green, 20-pin TSSOP, Tape & reel	Industrial

Notes:

- Thermal characteristics can be found on the company web site at www.pericom.com/packaging/
- "E" denotes Pb-free and Green
- Adding an "X" at the end of the ordering code denotes tape and reel packaging

OUR CERTIFICATE

DiGi provide top-quality products and perfect service for customer worldwide through standardization, technological innovation and continuous improvement. DiGi through third-party certification, we stricly control the quality of products and services. Welcome your RFQ to

Email: Info@DiGi-Electronics.com



Tel: +00 852-30501935

RFQ Email: Info@DiGi-Electronics.com

DiGi is a global authorized distributor of electronic components.