

# PI6C4921504TQ1ZHWEX Datasheet



DiGi Electronics Part Number	PI6C4921504TQ1ZHWEX-DG
Manufacturer	<a href="#">Diodes Incorporated</a>
Manufacturer Product Number	PI6C4921504TQ1ZHWEX
Description	CLOCK BUFFER W-QFN5050-32 T&R 2.
Detailed Description	Clock Fanout Buffer (Distribution) IC 3:4 1.5 GHz 32-WFQFN Exposed Pad

<https://www.DiGi-Electronics.com>



Tel: +00 852-30501935

RFQ Email: [Info@DiGi-Electronics.com](mailto:Info@DiGi-Electronics.com)

DiGi is a global authorized distributor of electronic components.

## Purchase and inquiry

Manufacturer Product Number:

PI6C4921504TQ1ZHWEX

Series:

-

Type:

Fanout Buffer (Distribution)

Ratio - Input:Output:

3:4

Input:

LVC MOS, LVDS, Crystal

Frequency - Max:

1.5 GHz

Operating Temperature:

-40°C ~ 125°C (TA)

Grade:

Automotive

Package / Case:

32-WFQFN Exposed Pad

Manufacturer:

Diodes Incorporated

Product Status:

Active

Number of Circuits:

1

Differential - Input:Output:

Yes/Yes

Output:

LVC MOS, LVDS

Voltage - Supply:

2.375V ~ 3.465V

Mounting Type:

Surface Mount

Qualification:

AEC-Q100

Supplier Device Package:

32-WQFN (5x5)

## Environmental & Export classification

RoHS Status:

ROHS3 Compliant

REACH Status:

REACH Unaffected

HTSUS:

8542.39.0001

Moisture Sensitivity Level (MSL):

1 (Unlimited)

ECCN:

EAR99



A Product Line of  
Diodes Incorporated



**PI6C492150xTQ**

## High Performance Automotive 2/4 Ports LVDS Fanout Buffer

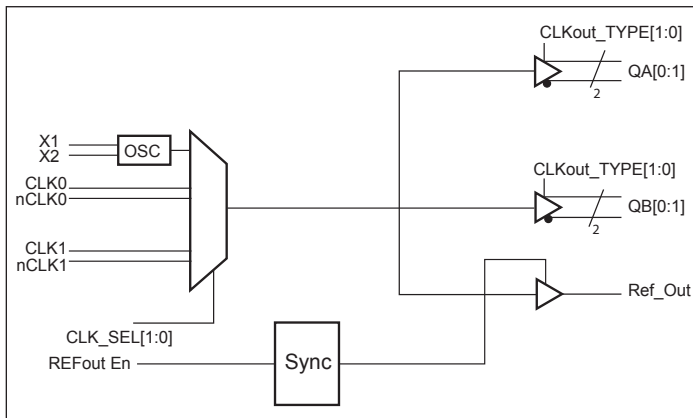
### Description

The DIODES PI6C492150xTQ is an automotive high-performance LVDS fanout buffer device which supports up to 1.5GHz frequency. This device is ideal for systems that need to distribute low-jitter clock signals to multiple destinations.

### Application(s)

- Networking Systems, including Switches and Routers
- High-Frequency Backplane-based Computing and Telecom Platforms
- ADAS
- Automotive Infotainment

### Block Diagram



### Features

- 2/4 LVDS Outputs with 2 Banks
- Supports LVPECL, LVDS, HCSL, CML, CMOS or Crystal Input
- LVCMOS Reference Output Up to 200MHz
- Up to 1.5GHz Output Frequency for Differential Outputs
- Ultra-low Additive Phase Jitter: <0.03ps (Differential 156.25MHz, 12KHz to 20MHz Integration Range)
- Selectable Reference Inputs Support Either Single-Ended or Differential or Xtal
- Low Skew Between Outputs within Banks (<40ps)
- Low Delay from Input to Output (Tpd typical <1.5ns)
- Separate Input Output Supply Voltage for Level Shifting
- 2.5V / 3.3V Power Supply
- AEC-Q100 Qualified, Automotive Grade 1 Support
- Ambient Operating Temperature: -40°C to 125°C
- Totally Lead-Free & Fully RoHS Compliant (Notes 1 & 2)
- Halogen and Antimony Free. "Green" Device (Note 3)
- The PI6C492150xTQ is suitable for automotive applications requiring specific change control; this part is AEC-Q100 qualified, PPAP capable, and manufactured in IATF 16949 certified facilities.  
<https://www.diodes.com/quality/product-definitions/>
- Packaging (Pb-free & Green):
  - 32-pin WQFN (ZHW)

### Notes:

1. No purposely added lead. Fully EU Directive 2002/95/EC (RoHS), 2011/65/EU (RoHS 2) & 2015/863/EU (RoHS 3) compliant.
2. See <https://www.diodes.com/quality/lead-free/> for more information about Diodes Incorporated's definitions of Halogen- and Antimony-free, "Green" and Lead-free.
3. Halogen- and Antimony-free "Green" products are defined as those which contain <900ppm bromine, <900ppm chlorine (<1500ppm total Br + Cl) and <1000ppm antimony compounds.
4. Automotive products are AEC-Q100 qualified and are PPAP capable. Refer to <https://www.diodes.com/quality/>.



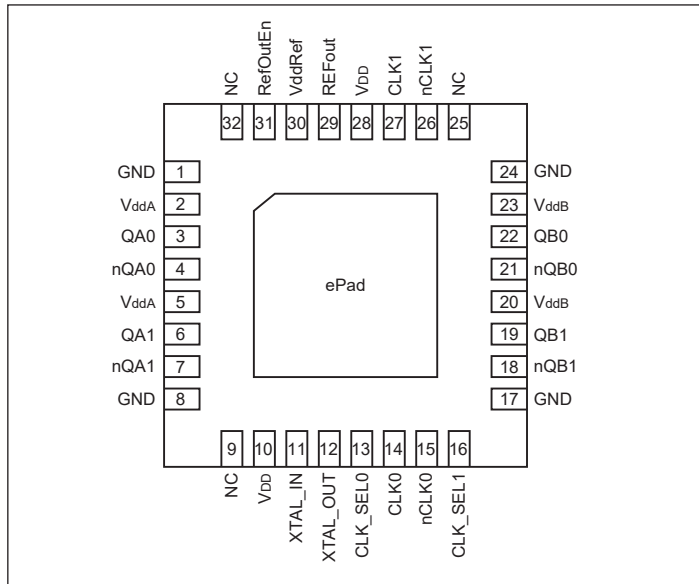
A Product Line of  
Diodes Incorporated



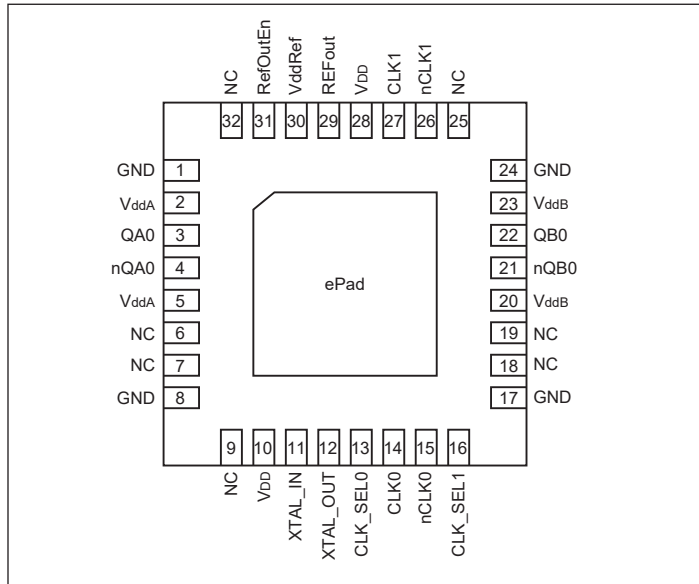
**PI6C492150xTQ**

## Pin Configuration

**PI6C4921504TQ**



**PI6C4921502TQ**



## Pin Description

PI6C4921504TQ Pin #	PI6C4921502TQ Pin#	Pin Name	Type	Description
1, 8, 17, 24	1, 8, 17, 24	GND	Power	Negative power supply
9, 25, 32	6, 7, 9, 18, 19, 25, 32	NC	-	Not Connect
2, 5	2, 5	V <sub>ddA</sub>	Power	Power supply for Bank A Output buffers. V <sub>ddA</sub> operates from 3.3V or 2.5V
13	13	CLK_SEL0	Input	Clock input source selection pin
16	16	CLK_SEL1	Input	Clock input source selection pin
14, 15	14, 15	CLK0 nCLK0	Input	Differential clock input
27, 26	27, 26	CLK1 nCLK1	Input	Differential clock input
11	11	XTAL_In	Input	Input for crystal, XO, or single ended clock
12	12	XTAL_Out	Output	Output for crystal. Leave Xtal_Out floating if Xtal_In is driven by a single ended clock
10, 28	10, 28	V <sub>DD</sub>	Power	Power supply for core
18, 19	-	nQB1 QB1	Output	Differential output clock
21, 22	21, 22	nQB0 QB0	Output	Differential output clock



A Product Line of  
Diodes Incorporated



**PI6C492150xTQ**

PI6C4921504TQ Pin #	PI6C4921502TQ Pin#	Pin Name	Type	Description
29	29	Ref_Out	Output	Reference output clock
7, 6	–	nQA1 QA1	Output	Differential output clock
4, 3	4, 3	nQA0 QA0	Output	Differential output clock
ePad	ePad	ePad	GND	Connect to the PCB ground
20, 23	20, 23	V <sub>ddB</sub>	Power	Power supply for Bank B Output buffers. V <sub>ddB</sub> operates from 3.3 V or 2.5V
30	30	VddRef	Power	Power supply for reference clock output
31	31	RefOutEn	Input	REFout enable input



A Product Line of  
Diodes Incorporated



PI6C492150xTQ

## Function Table

Table 1: Input Selection

CLK_SEL1	CLK_SEL0	Selected Input
0	0	CLK0, nCLK0
0	1	CLK1, nCLK1
1	X	XTAL_In

Table 2: Reference Output Enable

REFout_EN	REFout STATE
0	Disabled (Hi-Z)
1	Enabled

Table 3: CLKx Input vs. Output States

State of Selected Input Clock	State of Enabled Outputs
CLKx and nCLKx Inputs Floating	Logic Low
CLKx and nCLKx Inputs Shorted Together	Not Supported. Output is Undefined
CLKx Logic Low	Logic Low
CLKx Logic High	Logic High



A Product Line of  
Diodes Incorporated



PI6C492150xTQ

## Maximum Ratings

(Above which the useful life may be impaired. For user guidelines, not tested)

Storage Temperature.....	-55 to +150°C
Supply Voltage to Ground Potential ( $V_{DD}$ , $V_{DDO}$ )...	-0.5 to +4.6V
Inputs (Referenced to GND) .....	-0.5 to $V_{DD}+0.5V$
Clock Output (Referenced to GND).....	-0.5 to $V_{DD}+0.5V$
Latch Up .....	200mA
ESD Protection (Input) .....	2000V min (HBM)
Junction Temperature .....	150 °C max

Note:

Stresses greater than those listed under MAXIMUM RATINGS may cause permanent damage to the device. This is a stress rating only and functional operation of the device at these or any other conditions above those indicated in the operational sections of this specification is not implied. Exposure to absolute maximum rating conditions for extended periods may affect reliability.

## Power Supply Characteristics and Operating Conditions

Symbol	Parameter	Test Condition	Min.	Typ.	Max.	Units
$V_{DD}$	Core Supply Voltage		2.375		3.465	V
$V_{DDO}$	Output Supply Voltage	$V_{DDO} \leq V_{DD}$	2.375		3.465	V
$I_{DD}$	Core Power Supply Current	All LVDS Loaded		50	65	mA
$I_{DDO}$	Output Power Supply Current	All LVDS Loaded		35	46	
$T_A$	Ambient Operating Temperature <sup>(1)</sup>	LVDS output	-40		125	°C

Note:

1. Either  $T_A$  used as operating condition

## DC Electrical Specifications - Differential Inputs

Symbol	Parameter	Test Condition	Min.	Typ.	Max.	Units
$I_{IH}$	Input High current	Input = $V_{DD}$			150	uA
$I_{IL}$	Input Low current	Input = GND	-150			uA
$C_{IN}$	Input capacitance			3		PF
$V_{IH}$	Input high voltage				$V_{DD}+0.3$	V
$V_{IL}$	Input low voltage		-0.3			V
$V_{ID}$	Input Differential Amplitude PK-PK		0.15		1.3	V
$V_{CM}$	Common mode input voltage		0.25		$V_{DD}-1.2$	V
$ISO_{MUX}$	MUX isolation			-89		dBc

## DC Electrical Specifications - LVCMOS Inputs

Symbol	Parameter	Conditions	Min.	Typ.	Max.	Units
$I_{IH}$	Input High current	Input = $V_{DD}$			150	uA



A Product Line of  
Diodes Incorporated



PI6C492150xTQ

Symbol	Parameter	Conditions	Min.	Typ.	Max.	Units
I <sub>IL</sub>	Input Low current	Input = GND	-150			uA
V <sub>IH</sub>	Input high voltage	V <sub>DD</sub> = 3.3V	2.0		V <sub>DD</sub> +0.3	V
V <sub>IL</sub>	Input low voltage	V <sub>DD</sub> = 3.3V	-0.3		0.8	V
V <sub>IH</sub>	Input high voltage	V <sub>DD</sub> = 2.5V	1.7		V <sub>DD</sub> +0.3	V
V <sub>IL</sub>	Input low voltage	V <sub>DD</sub> = 2.5V	-0.3		0.7	V

### DC Electrical Specifications- LVDS Outputs

Parameter	Description	Conditions	Min.	Typ.	Max.	Units
V <sub>OH</sub>	Output High voltage		1.4	1.5	1.6	V
V <sub>OL</sub>	Output Low voltage		1	1.1	1.25	V
V <sub>ocm</sub>	Output commode voltage		1.2	1.3	1.45	V
DV <sub>ocm</sub>	Change in V <sub>ocm</sub> between completely output states				50	mV

### DC Electrical Specifications – LVCMOS Outputs

Parameter	Description	Conditions	Min.	Typ.	Max.	Units
V <sub>OH</sub>	Output High voltage	V <sub>DDO</sub> = 3.3V +/-5%, I <sub>OH</sub> = -8mA	2.3			V
		V <sub>DDO</sub> = 2.5V +/- 5%, I <sub>OH</sub> = -8mA	1.5			V
V <sub>OL</sub>	Output Low voltage	V <sub>DDO</sub> = 3.3V +/-5%, I <sub>OL</sub> = 8mA			0.5	V
		V <sub>DDO</sub> = 2.5V +/- 5%, I <sub>OL</sub> = 8mA			0.4	V
V <sub>OH</sub>	Output High voltage	V <sub>DDO</sub> = 3.3V +/-5%, I <sub>OH</sub> = -24mA	2.1			V
		V <sub>DDO</sub> = 2.5V +/- 5%, I <sub>OH</sub> = -16mA	1.5			V
V <sub>OL</sub>	Output Low voltage	V <sub>DDO</sub> = 3.3V +/-5%, I <sub>OL</sub> = 24mA			1	V
		V <sub>DDO</sub> = 2.5V +/- 5%, I <sub>OL</sub> = 16mA			0.8	V

### AC Electrical Specifications – LVDS Outputs

Parameter	Description	Conditions	Min.	Typ.	Max.	Units
F <sub>OUT</sub>	Clock output frequency	LVDS			1500	MHz
T <sub>r</sub>	Output rise time	From 20% to 80%	100	150	300	ps
T <sub>f</sub>	Output fall time	From 80% to 20%	100	150	300	ps





A Product Line of  
Diodes Incorporated



PI6C492150xTQ

Parameter	Description	Conditions	Min.	Typ.	Max.	Units	
T <sub>ODC</sub>	Output duty cycle	Frequency < 650MHz, V <sub>ID</sub> ≥ 400mV	LVDS	47		53	%
		Frequency < 1GHz, V <sub>ID</sub> ≥ 400mV	LVDS	45		55	
		Frequency < 1.5GHz, V <sub>ID</sub> ≥ 400mV	LVDS	40		60	
V <sub>PP</sub>	Output swing Single-ended	LVDS outputs @ <1GHz		250		600	mV
		LVDS outputs @ >1GHz		250		550	
T <sub>j</sub>	Buffer additive jitter RMS	156.25MHz, 12kHz to 20MHz		0.02			ps
		156.25MHz, 10kHz to 1MHz		0.01			ps
T <sub>SK</sub>	Output Skew	4 outputs devices, outputs in same bank, with same load, at DUT.		15		40	ps
T <sub>PD</sub>	Propagation Delay	LVDS @ 3.3V, 100MHz		570			ps
T <sub>OD</sub>	Valid to HiZ					200	ns
T <sub>OE</sub>	HiZ to valid					200	ns
T <sub>P2P Skew</sub>	Part to Part Skew <sup>(1)</sup>			80		120	ps

## AC Electrical Specifications – CMOS

(Operating Temperatures -40°C to 125°C)

Parameter	Description	Conditions	Min.	Typ.	Max.	Units
F <sub>OUT</sub>	Ref_Out frequency	XTAL input	10		50	MHz
		Reference input			200	MHz
T <sub>j</sub>	Buffer additive jitter RMS	XTAL input		0.3		ps
		Reference input		0.03		ps
t <sub>r</sub> /t <sub>f</sub>	Rise time, Fall time	C <sub>L</sub> = 5pF		0.8		ns
T <sub>ODC</sub>	Output duty cycle	C <sub>L</sub> = 5pF 3.3V, max test freq. 200MHz 2.5V, max test freq. 150MHz	45		55	%
t <sub>PD</sub>	Propagation delay	3.3V, 25MHz		4500		ps
t <sub>S</sub>	Setup time		300			ps
t <sub>SOD</sub>	Clock edge to output disable	Ref_Out	2		4	cycles
t <sub>SOE</sub>	Clock edge to output enable	Ref_Out	2		4	cycles
R <sub>IUT</sub>	Output Impedance	V <sub>DDO</sub> = 3.3V ± 5%		30		Ω
		V <sub>DDO</sub> = 2.5V ± 5%		45		Ω

Notes:

- This parameter is guaranteed by design



<b>PI6C492150xTQ</b>
----------------------

## Crystal Characteristics

Parameter	Min.	Typ.	Max.	Units
Mode of Oscillation	Fundamental			
Frequency Range	10		50	MHz
Equivalent Series Resistance (ESR)			70	$\Omega$
Shunt Capacitance			7	pF
Load Capacitance	10		18	pF
Drive Level			500	$\mu$ W

## Recommended Crystals

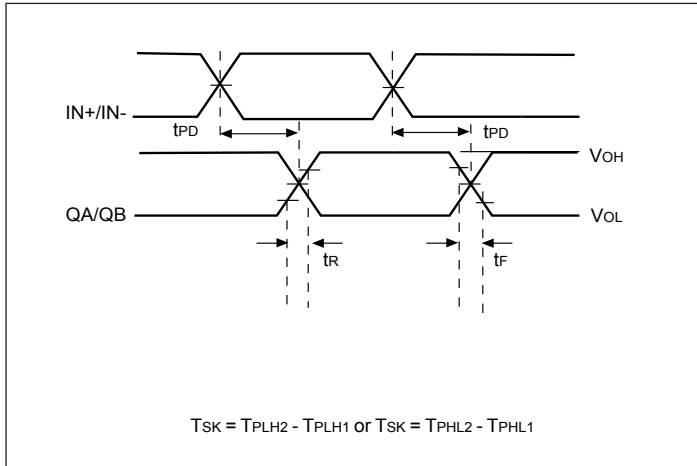
Diodes Recommends:

- a) GC2500003 XTAL 49S/SMD(4.0 mm), 25M, CL=18pF, +/-30ppm  
[http://www.pericom.com/pdf/datasheets/se/GC\\_GF.pdf](http://www.pericom.com/pdf/datasheets/se/GC_GF.pdf)
- b) FY2500091, SMD 5x3.2(4P), 25M, CL=18pF, +/-30ppm  
[http://www.pericom.com/pdf/datasheets/se/FY\\_F9.pdf](http://www.pericom.com/pdf/datasheets/se/FY_F9.pdf)
- c) FL2500047, SMD 3.2x2.5(4P), 25M, CL=18pF, +/-20ppm  
<http://www.pericom.com/pdf/datasheets/se/FL.pdf>

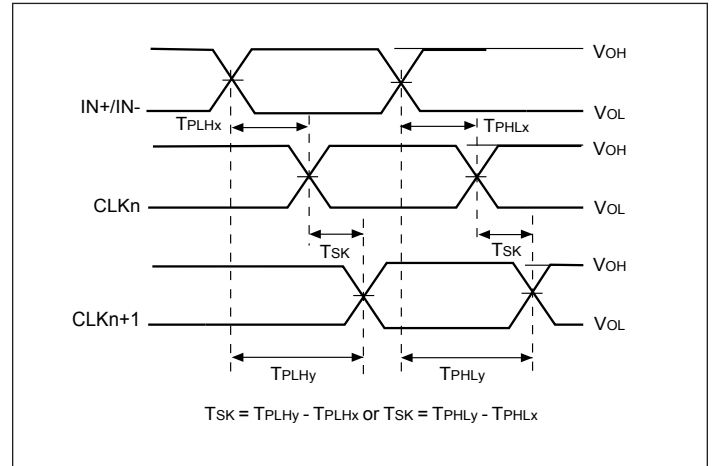


**PI6C492150xTQ**

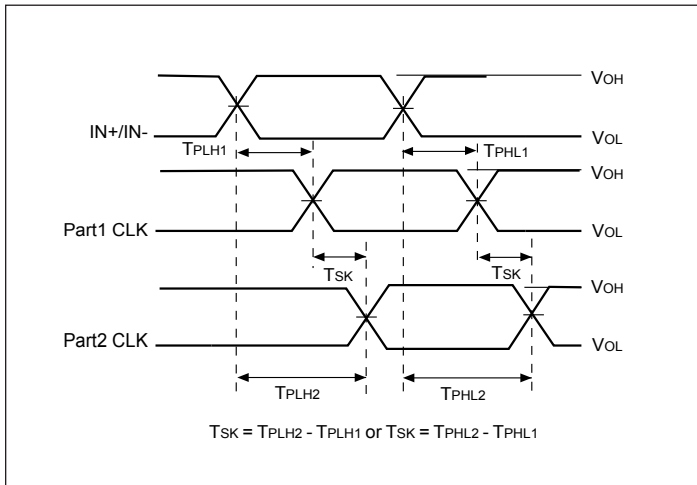
### Propagation Delay ( $T_{PD}$ )



### Output Skew (TSK)



### Part to Part Skew



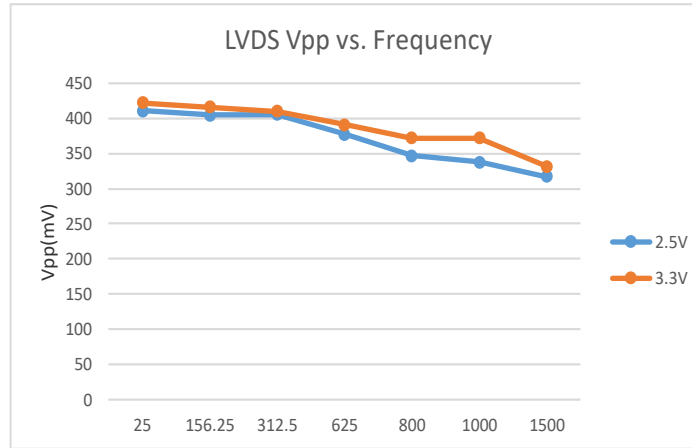


A Product Line of  
Diodes Incorporated

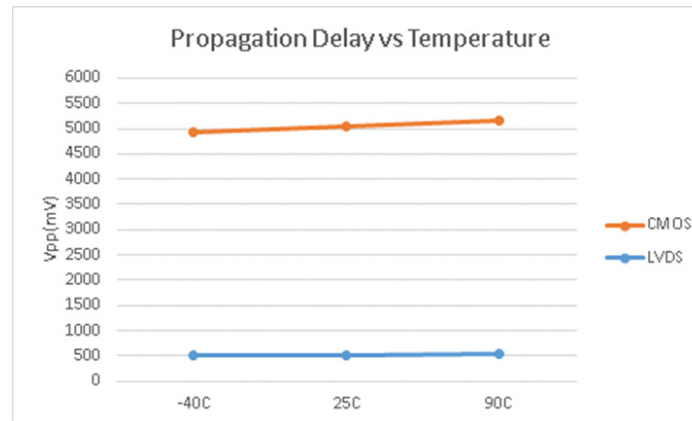


**PI6C492150xTQ**

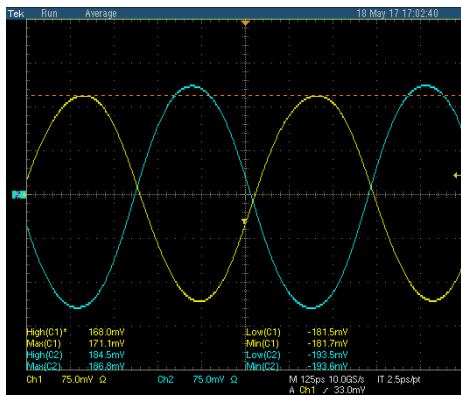
### LVDS Output Swing vs. Frequency



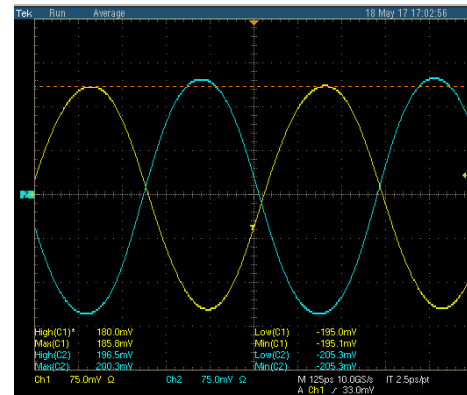
### Propagation Delay vs Temperature



### 1.5GHz LVDS Waveform



**2.5V LVDS Waveform**



**3.3V LVDS Waveform**



A Product Line of  
Diodes Incorporated



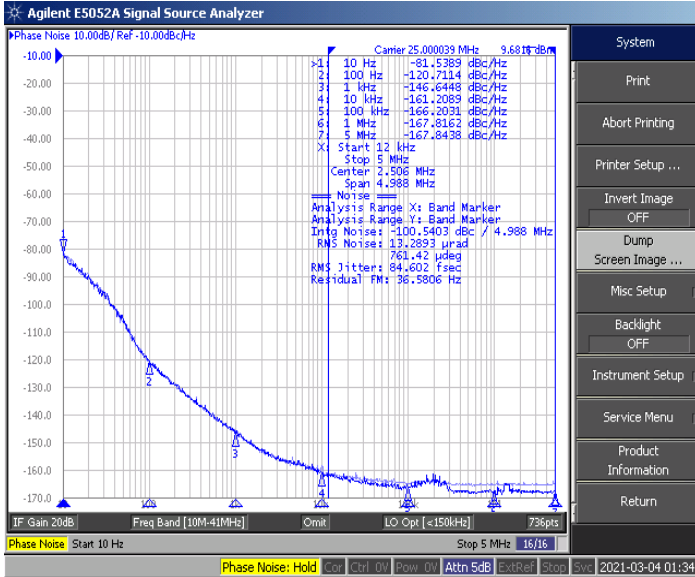
**PI6C492150xTQ**

## Phase Noise and Additive Jitter

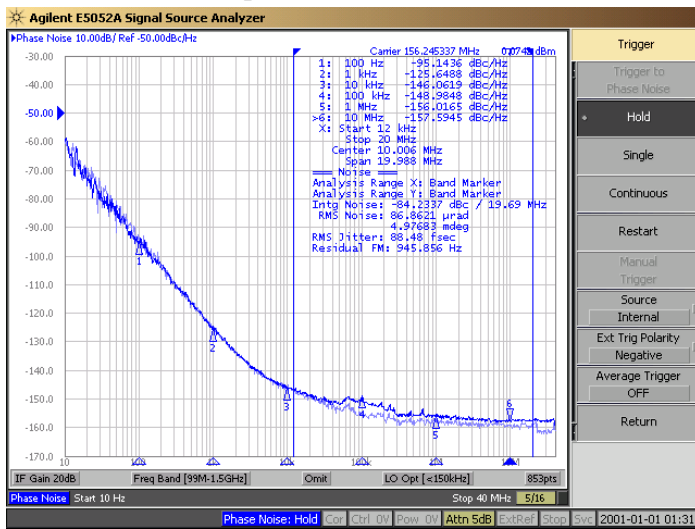
Output phase noise (Dark Blue) vs Input Phase noise (light blue)

Additive jitter is calculated at 25MHz ~71fs RMS (12kHz to 5MHz). Additive jitter =  $\sqrt{(\text{Output jitter}^2 - \text{Input jitter}^2)}$

Ref\_out 25MHz Phase Noise Plot, VDD=VDDO=3.3V, 25°C, Driven by 25MHz CMOS XO



## 156.25M LVDS Output Additive Jitter Noise Plot, 3.3V



3.3V LVDS Output Jitter 88fs vs. Input 72fs

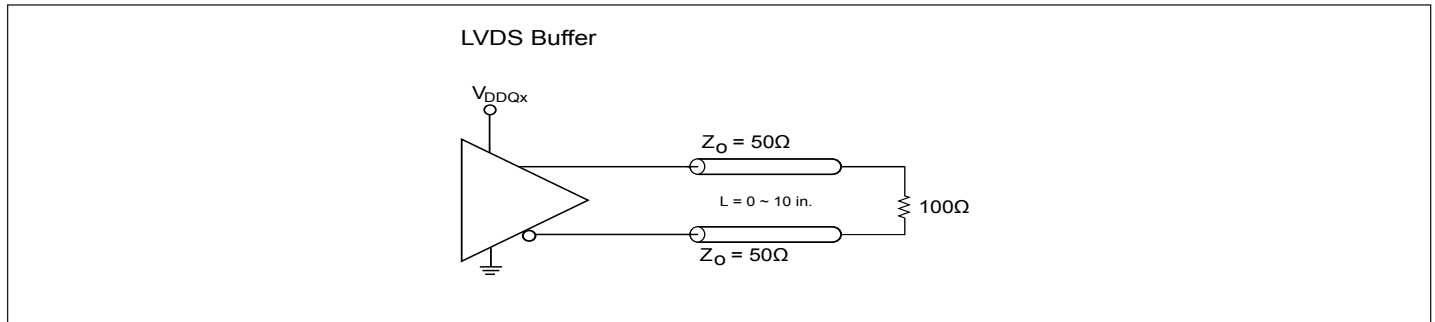


A Product Line of  
Diodes Incorporated

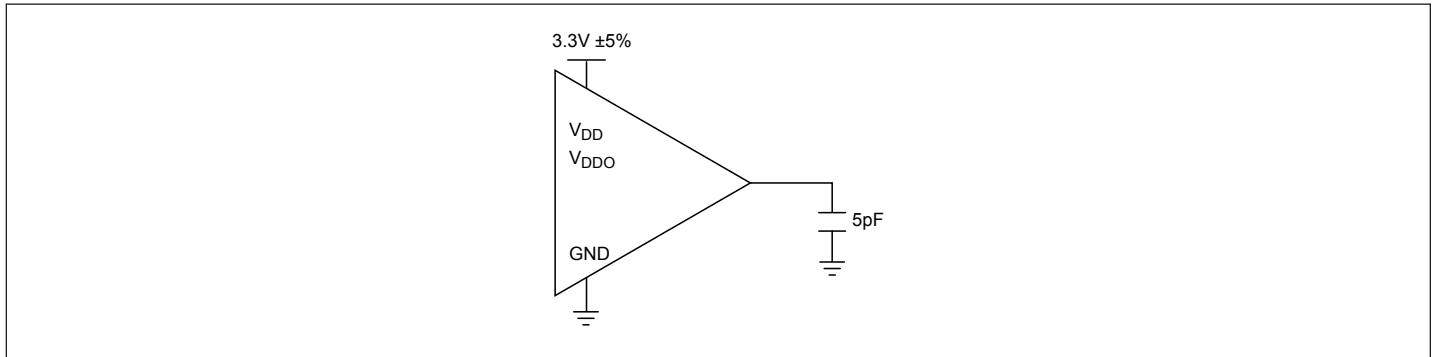


**PI6C492150xTQ**

### Configuration Test Load Board Termination for LVDS Outputs



### Configuration Test Load Board Termination for LVCMOS Outputs



## Application Information

### Wiring the differential input to accept single ended levels

Figure 1 shows how the differential input can be wired to accept single ended levels. The reference voltage  $V_{REF} = V_{DD}/2$  is generated by the bias resistors R1, R2 and C1. This bias circuit should be located as close as possible to the input pin. The ratio of R1 and R2 might need to be adjusted to position the  $V_{REF}$  in the center of the input voltage swing. For example, if the input clock swing is only 2.5V and  $V_{DD} = 3.3V$ ,  $V_{REF}$  should be 1.25V and  $R2/R1 = 0.609$ .

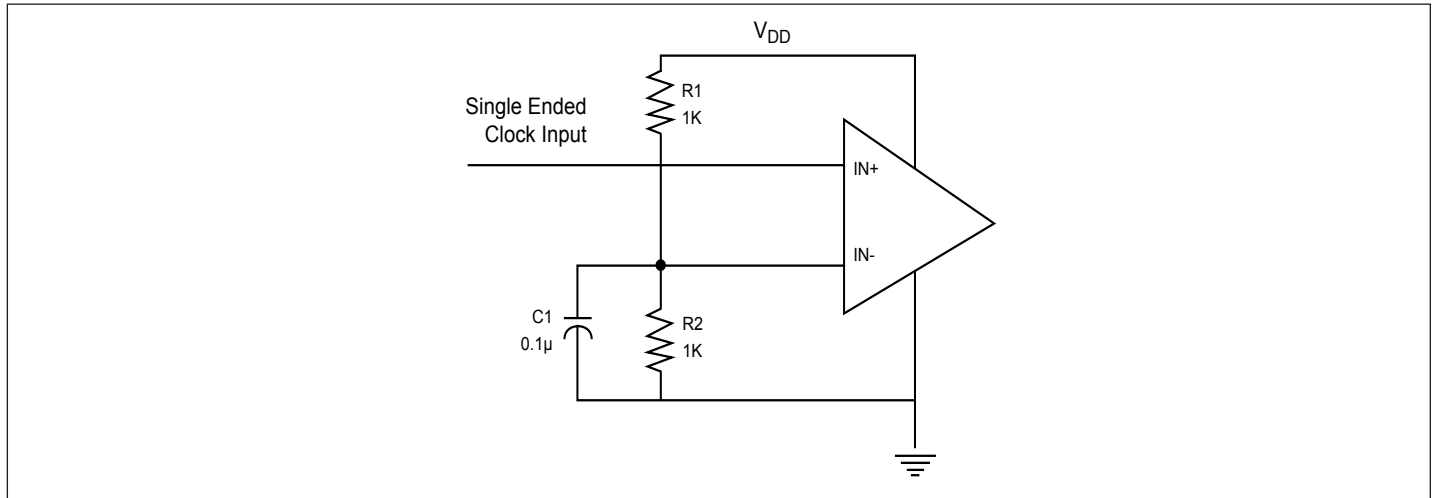
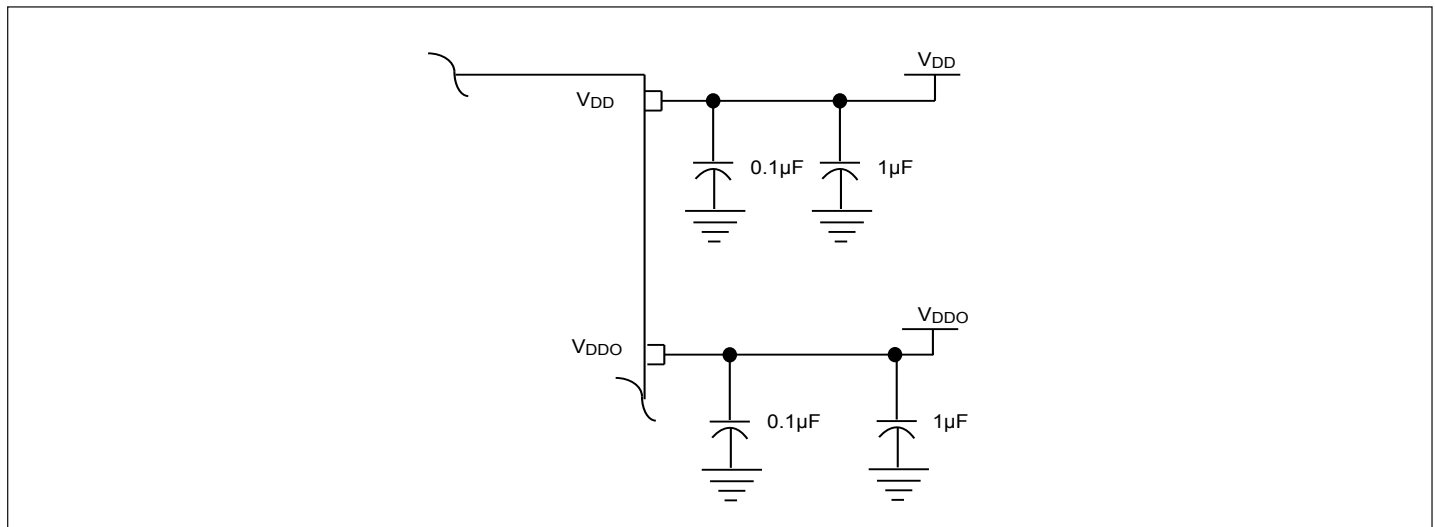


Figure 1. Single-ended Input to Differential Input Device

### Power Supply Filtering Techniques

As in any high speed analog circuitry, the power supply pins are vulnerable to random noise. To achieve optimum jitter performance, power supply isolation is required. All power pins should be individually connected to the power supply plane through vias, and 0.1µF and 1µF bypass capacitors should be used for each pin.



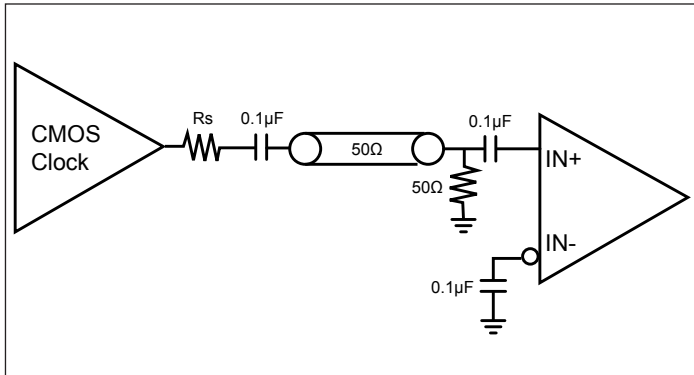


A Product Line of  
Diodes Incorporated

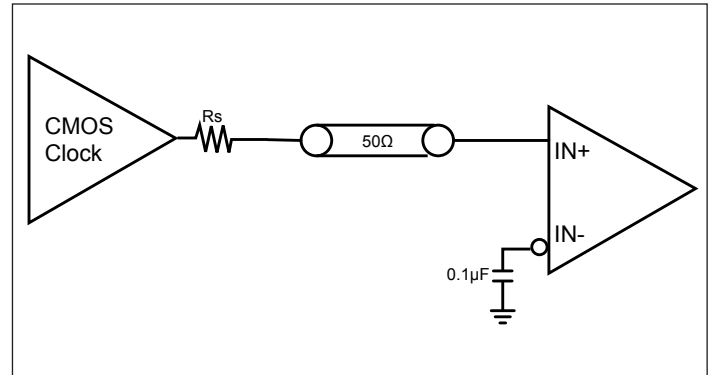


**PI6C492150xTQ**

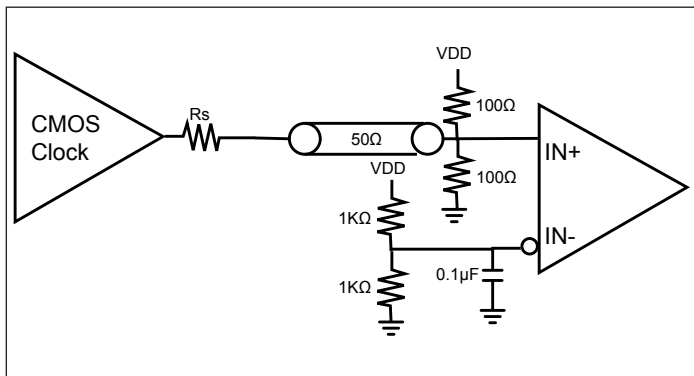
**Single Ended Input, AC Couple**



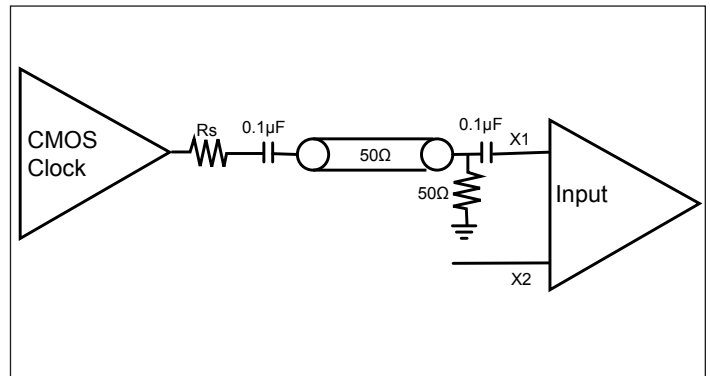
**Single Ended Input, DC Couple**



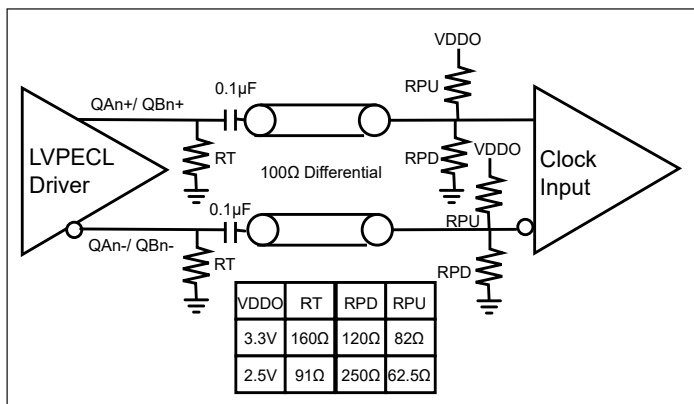
**Single Ended Input, DC Couple**



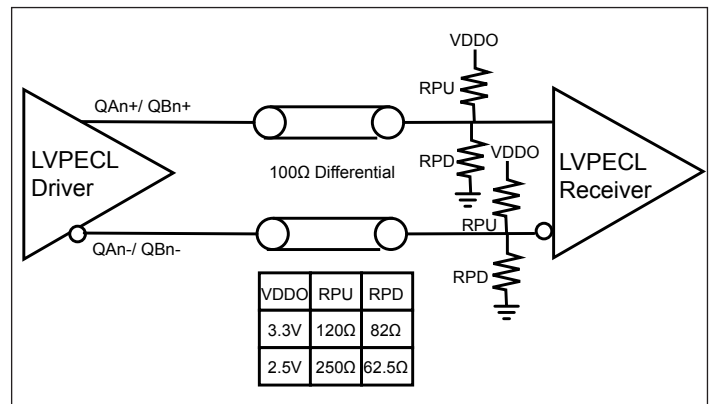
**Driving X1 with a Single Ended Input**



**LVPECL, AC Couple, Thevenin Equivalent**



**LVPECL, DC Couple, Thevenin Equivalent**





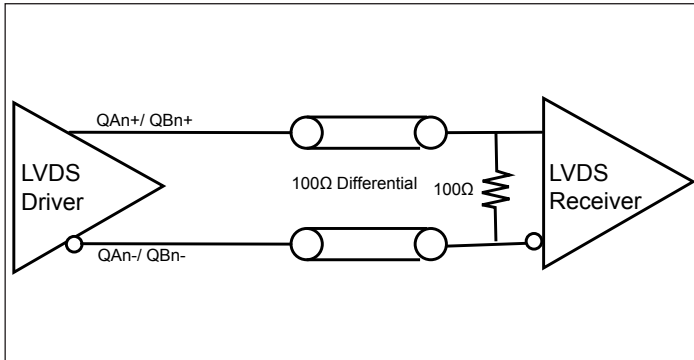


A Product Line of  
Diodes Incorporated

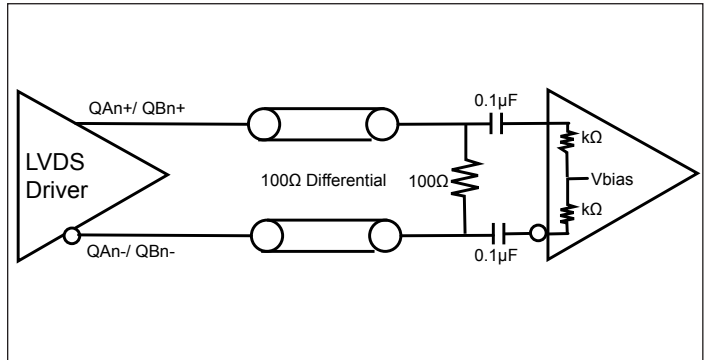


**PI6C492150xTQ**

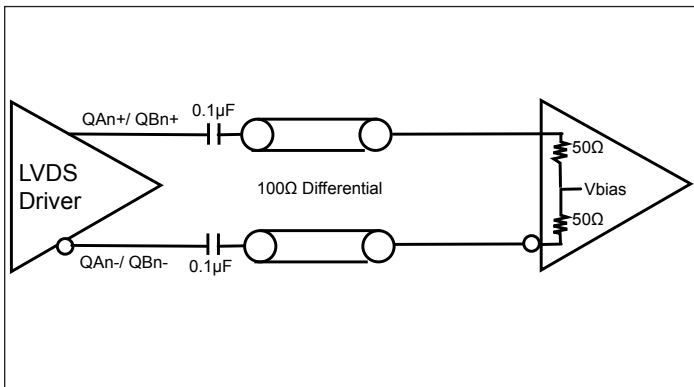
**LVDS DC Couple**



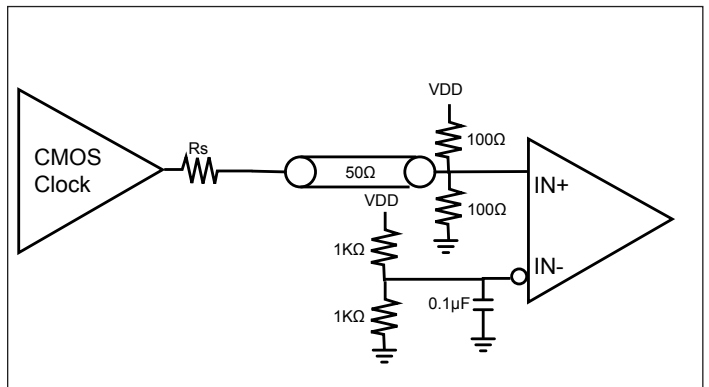
**LVDS AC Couple at Load**



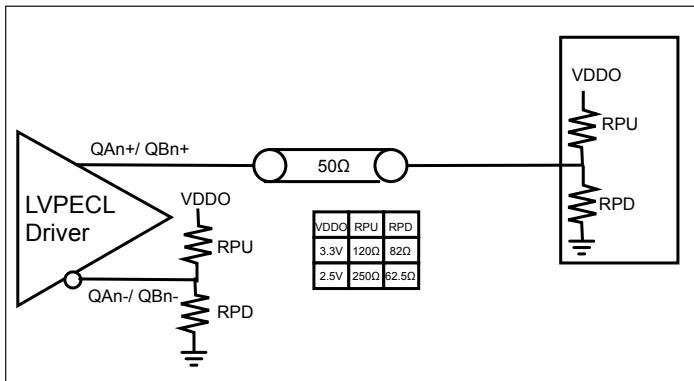
**LVDS AC Couple with Internal Termination**



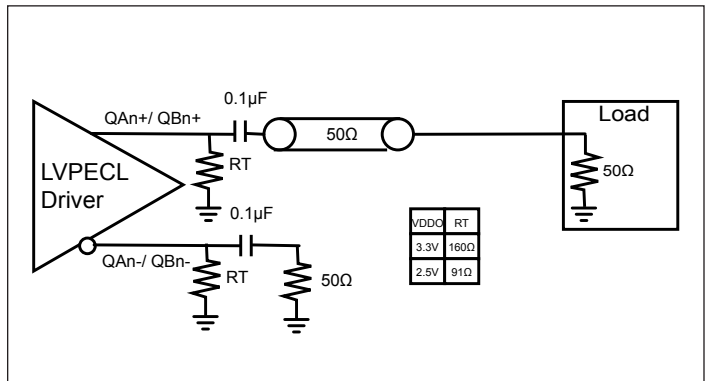
**Single Ended LVPECL, DC Couple**



**Single Ended LVPECL, DC Couple, Thevenin Equivalent**



**Single Ended LVPECL, AC Couple, Thevenin Equivalent**



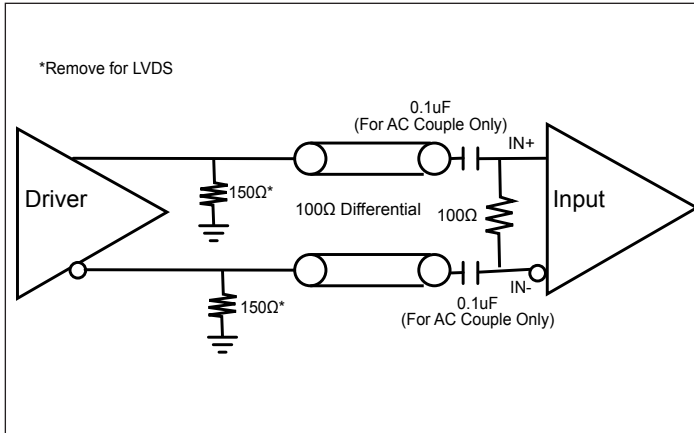


A Product Line of  
Diodes Incorporated

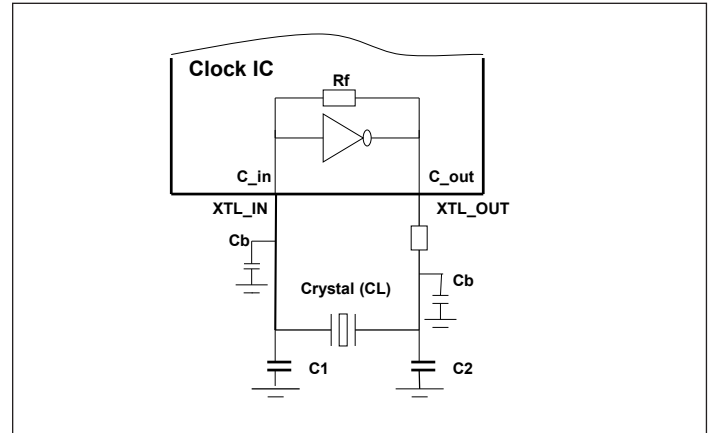


**PI6C492150xTQ**

### LVPECL/ LVDS AC and DC Input



### Clock IC Crystal Input Guide



## Part Marking

Top mark not available at this time. To obtain advance information regarding the top mark, please contact your local sales representative.



A Product Line of  
Diodes Incorporated



PI6C492150xTQ

## Packaging Mechanical

### 32-WQFN (ZHW)

PIN1 Index Area

SYMBOLS	MIN.	NOM.	MAX.
A	0.70	0.75	0.80
A1	0.00	0.02	0.05
A3	0.203 REF.		
b	0.18	0.25	0.30
D	4.90	5.00	5.10
E	4.90	5.00	5.10
e	0.50 BSC		
L	0.35	0.40	0.45
K	0.20	—	—
D2	3.20	3.25	3.30
E2	3.20	3.25	3.30

**DETAIL A**

**TERMINAL CROSS SECTION**

**RECOMMENDED LAND PATTERN**

DATE: 05/20/22

DESCRIPTION: W-QFN5050-32 (SWP)	
PACKAGE CODE: ZHW (ZHW32)	
DOCUMENT CONTROL #: PD-2277	REVISION: --

**NOTE :**

1. ALL DIMENSIONS ARE IN mm. ANGLES IN DEGREES.
2. COPLANARITY APPLIES TO THE EXPOSED PAD AS WELL AS THE TERMINALS.
3. REFER JEDEC MO-220.
4. RECOMMENDED LAND PATTERN IS FOR REFERENCE ONLY.
5. THERMAL PAD SOLDERING AREA (MESH STENCIL DESIGN IS RECOMMENDED)
6. SWP STANDS FOR SIDEWALL PLATING

For latest package info.

please check: <http://www.diodes.com/design/support/packaging/pericom-packaging/packaging-mechanicals-and-thermal-characteristics/>

## Ordering Information

Ordering Code	Package Code	Package Description	Operating Temperature
PI6C4921502TQ1ZHWEX	ZHW	32-contact, W-QFN5050-32 (SWP)	-40°C to 125°C
PI6C4921504TQ1ZHWEX	ZHW	32-contact, W-QFN5050-32 (SWP)	-40°C to 125°C

**Notes:**

1. No purposely added lead. Fully EU Directive 2002/95/EC (RoHS), 2011/65/EU (RoHS 2) & 2015/863/EU (RoHS 3) compliant.
2. See <https://www.diodes.com/quality/lead-free/> for more information about Diodes Incorporated's definitions of Halogen- and Antimony-free, "Green" and Lead-free.
3. Halogen- and Antimony-free "Green" products are defined as those which contain <900ppm bromine, <900ppm chlorine (<1500ppm total Br + Cl) and <1000ppm antimony compounds.
4. Q = Automotive Compliant
5. 1 = AEC-Q100 Grade Level
6. E = Pb-free and Green
7. X suffix = Tape/Reel



A Product Line of  
Diodes Incorporated



**PI6C492150xTQ**

#### IMPORTANT NOTICE

1. DIODES INCORPORATED (Diodes) AND ITS SUBSIDIARIES MAKE NO WARRANTY OF ANY KIND, EXPRESS OR IMPLIED, WITH REGARDS TO ANY INFORMATION CONTAINED IN THIS DOCUMENT, INCLUDING, BUT NOT LIMITED TO, THE IMPLIED WARRANTIES OF MERCHANTABILITY, FITNESS FOR A PARTICULAR PURPOSE OR NON-INFRINGEMENT OF THIRD PARTY INTELLECTUAL PROPERTY RIGHTS (AND THEIR EQUIVALENTS UNDER THE LAWS OF ANY JURISDICTION).

2. The Information contained herein is for informational purpose only and is provided only to illustrate the operation of Diodes' products described herein and application examples. Diodes does not assume any liability arising out of the application or use of this document or any product described herein. This document is intended for skilled and technically trained engineering customers and users who design with Diodes' products. Diodes' products may be used to facilitate safety-related applications; however, in all instances customers and users are responsible for (a) selecting the appropriate Diodes products for their applications, (b) evaluating the suitability of Diodes' products for their intended applications, (c) ensuring their applications, which incorporate Diodes' products, comply the applicable legal and regulatory requirements as well as safety and functional-safety related standards, and (d) ensuring they design with appropriate safeguards (including testing, validation, quality control techniques, redundancy, malfunction prevention, and appropriate treatment for aging degradation) to minimize the risks associated with their applications.

3. Diodes assumes no liability for any application-related information, support, assistance or feedback that may be provided by Diodes from time to time. Any customer or user of this document or products described herein will assume all risks and liabilities associated with such use, and will hold Diodes and all companies whose products are represented herein or on Diodes' websites, harmless against all damages and liabilities.

4. Products described herein may be covered by one or more United States, international or foreign patents and pending patent applications. Product names and markings noted herein may also be covered by one or more United States, international or foreign trademarks and trademark applications. Diodes does not convey any license under any of its intellectual property rights or the rights of any third parties (including third parties whose products and services may be described in this document or on Diodes' website) under this document.

5. Diodes' products are provided subject to Diodes' Standard Terms and Conditions of Sale (<https://www.diodes.com/about/company/terms-and-conditions/terms-and-conditions-of-sales/>) or other applicable terms. This document does not alter or expand the applicable warranties provided by Diodes. Diodes does not warrant or accept any liability whatsoever in respect of any products purchased through unauthorized sales channel.

6. Diodes' products and technology may not be used for or incorporated into any products or systems whose manufacture, use or sale is prohibited under any applicable laws and regulations. Should customers or users use Diodes' products in contravention of any applicable laws or regulations, or for any unintended or unauthorized application, customers and users will (a) be solely responsible for any damages, losses or penalties arising in connection therewith or as a result thereof, and (b) indemnify and hold Diodes and its representatives and agents harmless against any and all claims, damages, expenses, and attorney fees arising out of, directly or indirectly, any claim relating to any noncompliance with the applicable laws and regulations, as well as any unintended or unauthorized application.

7. While efforts have been made to ensure the information contained in this document is accurate, complete and current, it may contain technical inaccuracies, omissions and typographical errors. Diodes does not warrant that information contained in this document is error-free and Diodes is under no obligation to update or otherwise correct this information. Notwithstanding the foregoing, Diodes reserves the right to make modifications, enhancements, improvements, corrections or other changes without further notice to this document and any product described herein. This document is written in English but may be translated into multiple languages for reference. Only the English version of this document is the final and determinative format released by Diodes.

8. Any unauthorized copying, modification, distribution, transmission, display or other use of this document (or any portion hereof) is prohibited. Diodes assumes no responsibility for any losses incurred by the customers or users or any third parties arising from any such unauthorized use.

9. This Notice may be periodically updated with the most recent version available at <https://www.diodes.com/about/company/terms-and-conditions/important-notice>

The Diodes logo is a registered trademark of Diodes Incorporated in the United States and other countries.

All other trademarks are the property of their respective owners.

© 2023 Diodes Incorporated. All Rights Reserved.

[www.diodes.com](http://www.diodes.com)

## OUR CERTIFICATE

DiGi provide top-quality products and perfect service for customer worldwide through standardization, technological innovation and continuous improvement. DiGi through third-party certification, we stricly control the quality of products and services. Welcome your RFQ to

Email: [Info@DiGi-Electronics.com](mailto:Info@DiGi-Electronics.com)



Tel: +00 852-30501935

RFQ Email: [Info@DiGi-Electronics.com](mailto:Info@DiGi-Electronics.com)

DiGi is a global authorized distributor of electronic components.