

# PT7C4512WE Datasheet



<https://www.DiGi-Electronics.com>

DiGi Electronics Part Number	PT7C4512WE-DG
Manufacturer	<a href="#">Diodes Incorporated</a>
Manufacturer Product Number	PT7C4512WE
Description	PLL CLOCK MULTIPLIER
Detailed Description	IC



Tel: +00 852-30501935

RFQ Email: [Info@DiGi-Electronics.com](mailto:Info@DiGi-Electronics.com)

DiGi is a global authorized distributor of electronic components.

## Purchase and inquiry

Manufacturer Product Number:

PT7C4512WE

Series:

\*

DiGi-Electronics Programmable:

Not Verified

Manufacturer:

Diodes Incorporated

Product Status:

Obsolete

## Environmental & Export classification

RoHS Status:

ROHS3 Compliant

REACH Status:

REACH Unaffected

HTSUS:

8542.39.0001

Moisture Sensitivity Level (MSL):

1 (Unlimited)

ECCN:

EAR99

## Features

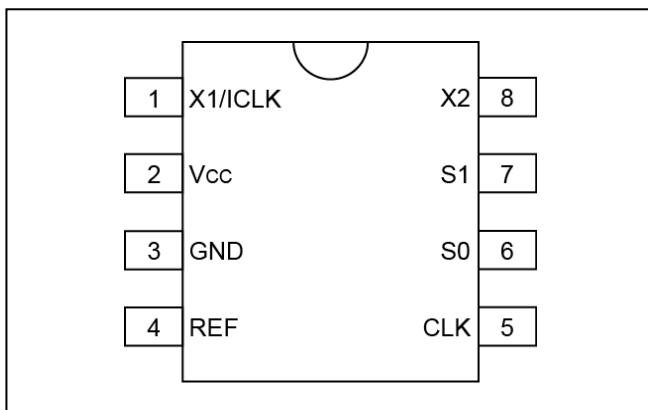
- Zero ppm multiplication error
- Input crystal frequency of 5 - 40 MHz
- Input clock frequency of 4 - 50 MHz
- Output clock frequencies up to 200 MHz
- Low period jitter 80ps (100~200MHz)
- Duty cycle of 45/55% of output clock up to 160MHz
- 9 selectable frequencies controlled by S0, S1 pins
- Operating voltages of 3.0 to 5.5V
- Lead free SOIC-8 package

## Description

This Clock Multiplier is the most cost-effective way to generate a high quality, high frequency clock outputs from lower frequency crystal or clock input. It is designed to replace crystal oscillators in most electronic systems, clock multipliers and frequency translation devices with low output jitter. The device implements a standard fundamental mode using PLL techniques and inexpensive crystal to produce output clocks up to 200 MHz.

The internal Logic divider is to generate nine different popular multiplication factors, allowing one chip to output many common frequencies.

## Pin Configuration



## Pin Description

Pin#	Name	Type	Description
1	X1/ICLK	X1	Crystal connection or clock input
2	VCC	P	Connect to +3.3V or +5V
3	GND	P	Connect to ground
4	REF	O	Buffered crystal oscillator output clock
5	CLK	O	Clock output per Clock Output Table
6	S0	T1	Multiplier select pin 0, connect to GND or V <sub>CC</sub> or floating (no connection)
7	S1	T1	Multiplier select pin 1, connect to GND or V <sub>CC</sub> or floating (no connection)
8	X2	ZO	Crystal connection. Leave unconnected for clock input

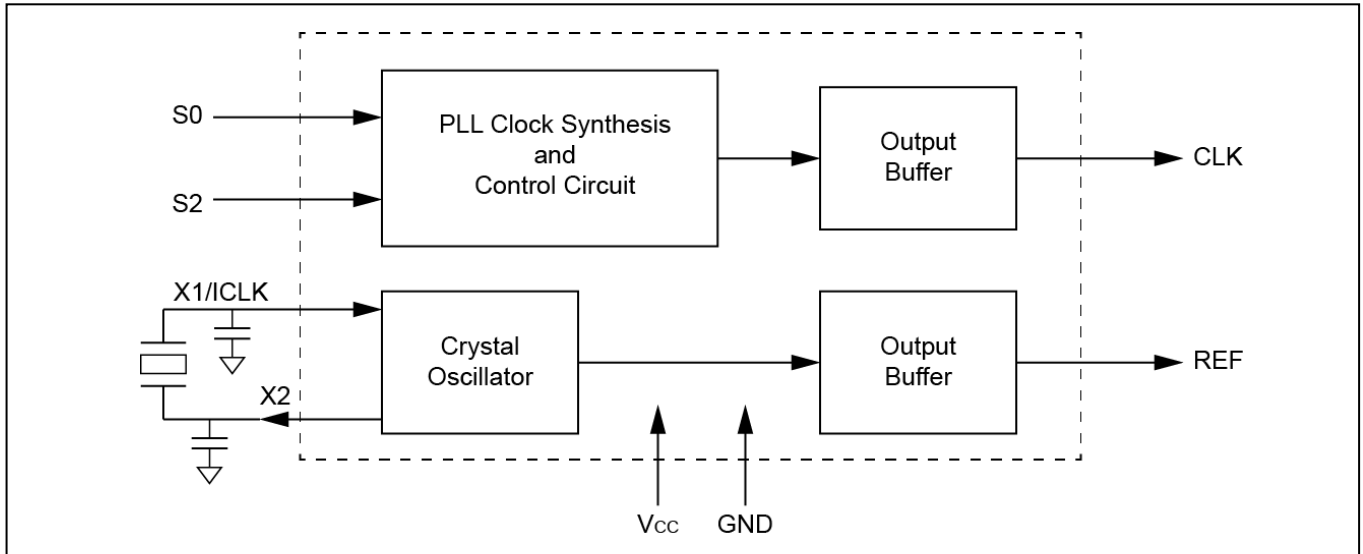
## Clock Output Table

S1	S0	CLK
0	0	X4 <sup>1</sup>
0	M <sup>2</sup>	X(16/3)
0	1	X5
M	0	X2.5
M	M	X2
M	1	X(10/3)
1	0	X6
1	M	X3
1	1	X8

### Note:

1. CLK output frequency = ICLK X 4
2. M = Leave unconnected (self-biases to V<sup>CC</sup>/2)

## Block Diagram



## External Components

### Decoupling Capacitor

As with any high-performance mixed-signal IC, the PT7C4512 must be isolated from system power supply noise to perform optimally. A decoupling capacitor of 0.01 $\mu$ F or 0.1 $\mu$ F must be connected between VCC and the GND. It must be connected close to the PT7C4512 to minimize lead inductance. No external power supply filtering is required for the PT7C4512.

### Series Termination Resistor

A 33 $\Omega$  terminating resistor can be used next to the CLK pin for trace lengths over one inch.

### Crystal Load Capacitors

There is no on-chip capacitance build-in chip. A parallel resonant, fundamental mode crystal should be used. The device crystal connections should include pads for small capacitors from X1 to ground and from X2 to ground. These capacitors are used to adjust the stray capacitance of the board to match the nominally required crystal load capacitance. Because load capacitance can only be increased in this trimming process, it is important to keep stray capacitance to a minimum by using very short PCB traces (and no vias) between the crystal and device. Crystal capacitors, if needed, must be connected from each of the pins X1 and X2 to ground. The value (in pF) of these crystal caps should equal  $CL \times 2$ . In this equation,  $CL$  = crystal load capacitance in pF. Example: For a crystal with a 15 pF load capacitance, each crystal capacitor would be 30pF.



## Maximum Rating

Storage Temperature.....	-60°C to +150°C
Junction Temperature.....	+125°C Max
Supply Voltage to Ground Potential (V <sub>CC</sub> ).....	-0.3V to +7.0V
Inputs (Referenced to GND) .....	-0.5V to V <sub>CC</sub> +0.5V
Clock Output (Referenced to GND).....	-0.5V to V <sub>CC</sub> +0.5V
Soldering Temperature (Max of 10 seconds)....	260°C (Max. 10s)

### Note:

Stresses greater than those listed under MAXIMUM RATINGS may cause permanent damage to the device. This is a stress rating only and functional operation of the device at these or any other conditions above those indicated in the operational sections of this specification is not implied. Exposure to absolute maximum rating conditions for extended periods may affect reliability.

## Recommended Operating Conditions

Sym	Parameter	Condition	Min	Typ	Max	Unit
V <sub>CC</sub>	Supply Voltage		3.0		5.5	V
T <sub>A</sub>	Operating Temperature		-40		+85	°C

## DC Electrical Characteristics

(V<sub>CC</sub> = 3.3±0.3V, T<sub>A</sub> = -40~85°C, unless otherwise noted)

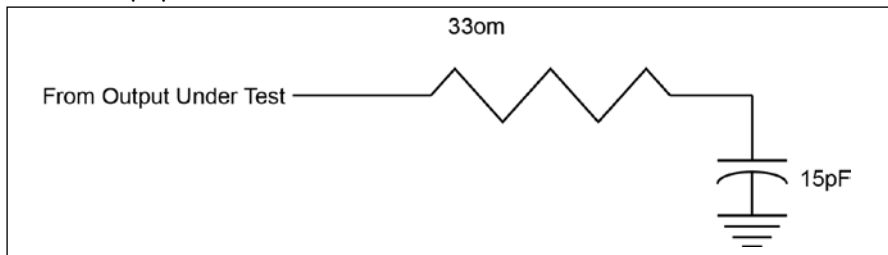
Sym	Parameter	Test Condition	Pin	Min.	Typ.	Max.	Unit
V <sub>CC</sub>	Supply Voltage		VCC	3	3.3	3.6	V
I <sub>CC</sub>	Supply Current	No load, 20MHz crystal, 100MHz output	VCC		12	20	mA
V <sub>IH</sub>	Input Logic High		ICLK	(V <sub>CC</sub> /2)+1	V <sub>CC</sub> /2		V
V <sub>IL</sub>	Input Logic Low		ICLK		V <sub>CC</sub> /2	(V <sub>CC</sub> /2)-1	V
V <sub>IH</sub>	Input Logic High		S0, S1	V <sub>CC</sub> -0.5			V
V <sub>IM</sub>	Input Mid-level		S0, S1		V <sub>CC</sub> /2		V
V <sub>IL</sub>	Input Logic Low		S0, S1			0.5	V
V <sub>OH</sub>	High-level Output Voltage	IOH = -12mA	CLK	2.4			V
V <sub>OL</sub>	Low-level Output Voltage	IOL = 12 mA	CLK			0.4	V
I <sub>S</sub>	Short Circuit Current		CLK		±30		mA

(V<sub>CC</sub> = 5.0±0.5V, T<sub>A</sub> = -40~85°C, unless otherwise noted)

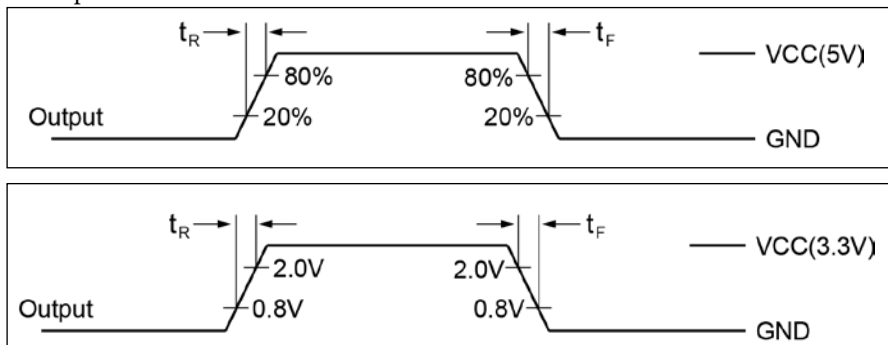
Sym	Parameter	Test Condition	Pin	Min.	Typ.	Max.	Unit
V <sub>CC</sub>	Supply Voltage		VCC	4.5	5.0	5.5	V
I <sub>CC</sub>	Supply Current	No load, 20MHz crystal, 100MHz output	VCC		20	30	mA
V <sub>IH</sub>	Input Logic High		ICLK	(V <sub>CC</sub> /2)+1	V <sub>CC</sub> /2		V
V <sub>IL</sub>	Input Logic Low		ICLK		V <sub>CC</sub> /2	(V <sub>CC</sub> /2)-1	V
V <sub>IH</sub>	Input Logic High		S0, S1	V <sub>CC</sub> -0.4			V
V <sub>IM</sub>	Input Mid-level		S0, S1		V <sub>CC</sub> /2		V
V <sub>IL</sub>	Input Logic Low		S0, S1			0.4	V
V <sub>OH</sub>	High-level Output Voltage	IOH = -12mA	CLK	V <sub>CC</sub> -0.5			V
V <sub>OL</sub>	Low-level Output Voltage	IOL = 12 mA	CLK			0.4	V
I <sub>S</sub>	Short Circuit Current		CLK		±70		mA

## Test Circuits

1> Load circuit for output clock duty cycle, rise and fall time Measurement



2> Timing Definitions for output clock rise and fall time Measurement



**AC Electrical Characteristics** $(V_{CC} = 3.3 \pm 0.3V, T_A = -40 \sim 85^\circ C, \text{ unless otherwise noted})$ 

Sym	Parameter	Test Condition	Pin	Min.	Typ.	Max.	Unit
F <sub>IN</sub>	Input Frequency	Crystal	ICLK	5		40	MHz
		Clock	ICLK	4		50	MHz
F <sub>OUT</sub>	Output Frequency <sup>(2)</sup>	V <sub>CC</sub> : 3.0 to 3.6V	CLK	20		180	MHz
t <sub>R</sub>	Output Clock Rise Time	0.8 to 2.0V, with 15pF load	CLK		1		Ns
t <sub>F</sub>	Output Clock Fall Time	2.0 to 0.8V, with 15pF load	CLK		1		Ns
Duty	Output Clock Duty Cycle	At V <sub>CC</sub> /2, below 160MHz	CLK	45	50	55	%
		At V <sub>CC</sub> /2, 160MHz to 180MHz	CLK	40		60	%
	PLL Bandwidth <sup>(1)</sup>			10			kHz
	Period Jitter	70MHz~160MHz, 25C	CLK			120	ps

**Note:**

- Only reference for design
- The phase relationship between input and output clocks can change at power up

 $(V_{CC} = 5.0 \pm 0.5V, T_A = -40 \sim 85^\circ C, \text{ unless otherwise noted})$ 

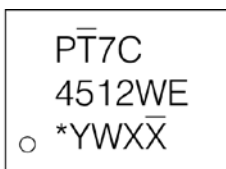
Sym	Parameter	Test Condition	Pin	Min.	Typ.	Max.	Unit
F <sub>IN</sub>	Input Frequency	Crystal	ICLK	5		40	MHz
		Clock	ICLK	4		50	MHz
F <sub>OUT</sub>	Output Frequency <sup>(2)</sup>	V <sub>CC</sub> : 4.5 to 5.5V	CLK	20		200	MHz
t <sub>R</sub>	Output Clock Rise Time	20% V <sub>CC</sub> to 80% V <sub>CC</sub> , with 15pF load	CLK		1.2		Ns
t <sub>F</sub>	Output Clock Fall Time	80% V <sub>CC</sub> to 20% V <sub>CC</sub> , with 15pF load	CLK		1.2		Ns
Duty	Output Clock Duty Cycle	At V <sub>CC</sub> /2, below 160MHz	CLK	45	50	55	%
		At V <sub>CC</sub> /2, 160MHz to 200MHz	CLK	40		60	%
	PLL Bandwidth <sup>(1)</sup>			10			kHz
	Period Jitter	70MHz~160MHz, 25C	CLK			120	ps

**Note:**

- Only reference for design
- The phase relationship between input and output clocks can change at power up

**Part Marking**

W Package



\*: Die Rev

YW: Date Code (Year &amp; Workweek)

1st X: Assembly Site Code

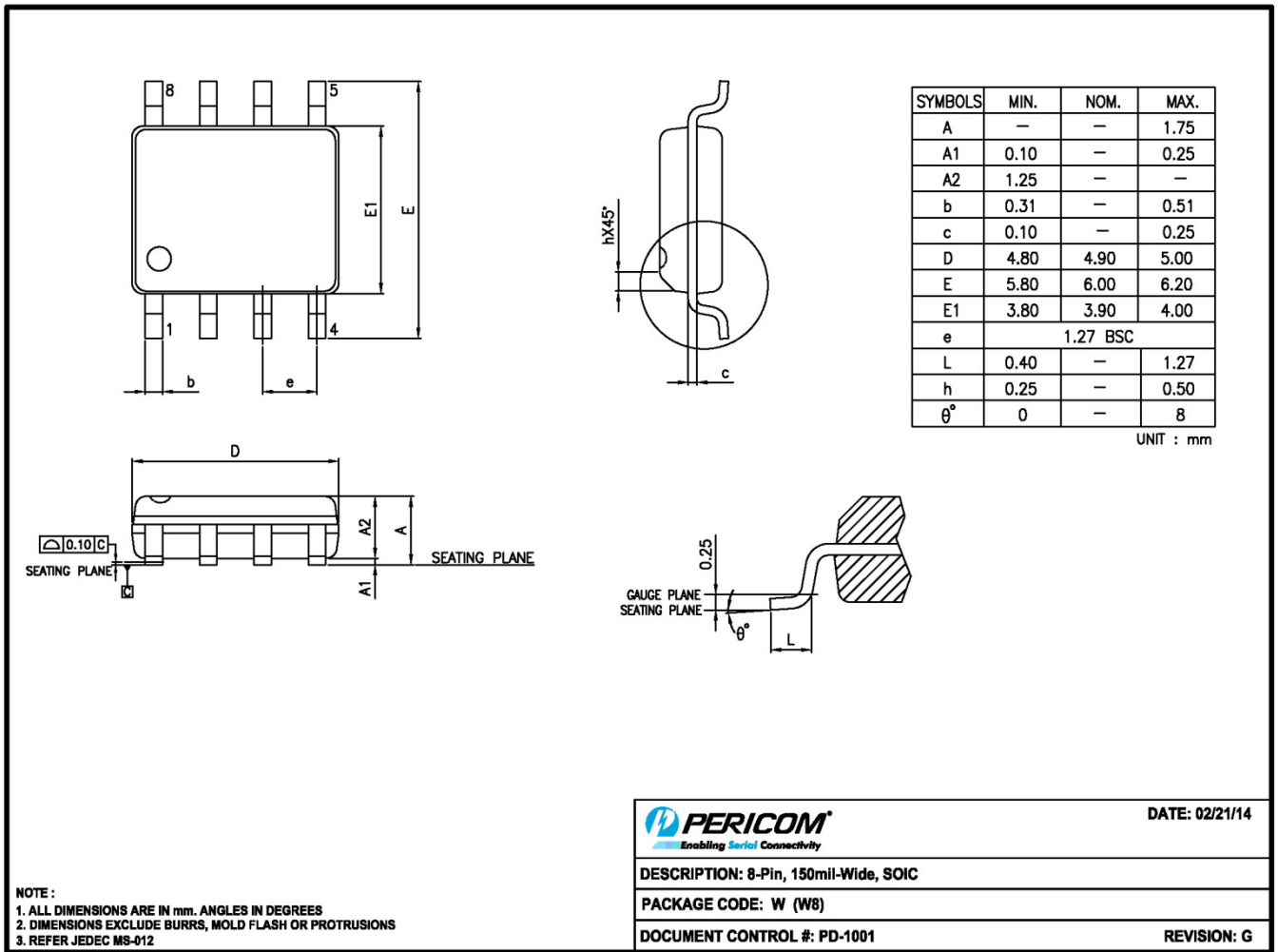
2nd X: Wafer Fab Site Code

Bar above "T" means Fab3 of MGN

Bar above fabe code means Cu wire

## Packaging Mechanical

8-SOIC (W)



15-0103

For latest package info.

please check: <http://www.diodes.com/design/support/packaging/pericom-packaging/packaging-mechanicals-and-thermal-characteristics/>

## Ordering Information

Part Number	Package Code	Description
PT7C4512WEX	W	8-Pin, 150mil-Wide (SOIC)

Notes:





1. EU Directive 2002/95/EC (RoHS), 2011/65/EU (RoHS 2) & 2015/863/EU (RoHS 3) compliant. All applicable RoHS exemptions applied.
2. See <http://www.diodes.com/quality/lead-free/> for more information about Diodes Incorporated's definitions of Halogen- and Antimony-free, "Green" and Lead-free.
3. Thermal characteristics can be found on the company web site at [www.diodes.com/design/support/packaging/](http://www.diodes.com/design/support/packaging/)
4. E = Pb-free and Green
5. X suffix = Tape/Reel

#### IMPORTANT NOTICE

DIODES INCORPORATED MAKES NO WARRANTY OF ANY KIND, EXPRESS OR IMPLIED, WITH REGARDS TO THIS DOCUMENT, INCLUDING, BUT NOT LIMITED TO, THE IMPLIED WARRANTIES OF MERCHANTABILITY AND FITNESS FOR A PARTICULAR PURPOSE (AND THEIR EQUIVALENTS UNDER THE LAWS OF ANY JURISDICTION).

Diodes Incorporated and its subsidiaries reserve the right to make modifications, enhancements, improvements, corrections or other changes without further notice to this document and any product described herein. Diodes Incorporated does not assume any liability arising out of the application or use of this document or any product described herein; neither does Diodes Incorporated convey any license under its patent or trademark rights, nor the rights of others. Any Customer or user of this document or products described herein in such applications shall assume all risks of such use and will agree to hold Diodes Incorporated and all the companies whose products are represented on Diodes Incorporated website, harmless against all damages.

Diodes Incorporated does not warrant or accept any liability whatsoever in respect of any products purchased through unauthorized sales channel.

Should Customers purchase or use Diodes Incorporated products for any unintended or unauthorized application, Customers shall indemnify and hold Diodes Incorporated and its representatives harmless against all claims, damages, expenses, and attorney fees arising out of, directly or indirectly, any claim of personal injury or death associated with such unintended or unauthorized application.

Products described herein may be covered by one or more United States, international or foreign patents pending. Product names and markings noted herein may also be covered by one or more United States, international or foreign trademarks.

This document is written in English but may be translated into multiple languages for reference. Only the English version of this document is the final and determinative format released by Diodes Incorporated.

#### LIFE SUPPORT

Diodes Incorporated products are specifically not authorized for use as critical components in life support devices or systems without the express written approval of the Chief Executive Officer of Diodes Incorporated. As used herein:

- A. Life support devices or systems are devices or systems which:
  1. are intended to implant into the body, or
  2. support or sustain life and whose failure to perform when properly used in accordance with instructions for use provided in the labeling can be reasonably expected to result in significant injury to the user.
- B. A critical component is any component in a life support device or system whose failure to perform can be reasonably expected to cause the failure of the life support device or to affect its safety or effectiveness.

Customers represent that they have all necessary expertise in the safety and regulatory ramifications of their life support devices or systems, and acknowledge and agree that they are solely responsible for all legal, regulatory and safety-related requirements concerning their products and any use of Diodes Incorporated products in such safety-critical, life support devices or systems, notwithstanding any devices- or systems-related information or support that may be provided by Diodes Incorporated. Further, Customers must fully indemnify Diodes Incorporated and its representatives against any damages arising out of the use of Diodes Incorporated products in such safety-critical, life support devices or systems.

Copyright © 2016, Diodes Incorporated  
[www.diodes.com](http://www.diodes.com)

## OUR CERTIFICATE

DiGi provide top-quality products and perfect service for customer worldwide through standardization, technological innovation and continuous improvement. DiGi through third-party certification, we stricly control the quality of products and services. Welcome your RFQ to

Email: [Info@DiGi-Electronics.com](mailto:Info@DiGi-Electronics.com)



Tel: +00 852-30501935

RFQ Email: [Info@DiGi-Electronics.com](mailto:Info@DiGi-Electronics.com)

DiGi is a global authorized distributor of electronic components.