

A-2004-2-3-LP/FS-N Datasheet



| | |
|------------------------------|---|
| DiGi Electronics Part Number | A-2004-2-3-LP/FS-N-DG |
| Manufacturer | Assmann WSW Components |
| Manufacturer Product Number | A-2004-2-3-LP/FS-N |
| Description | CONN MOD JACK 8P8C R/A SHIELDED |
| Detailed Description | Jack Modular Connector 8p8c (RJ45, Ethernet) 90° Angle (Right) Shielded |

<https://www.DiGi-Electronics.com>

This model A-2004-2-3-LP/FS-N is available at DiGi Electronics.

DiGi Electronics offers a global database of semiconductor and electronic component datasheets.

We welcome your inquiries regarding pricing, lead time, or other product-related questions.

 [Request a Quote](#)

 [Datasheet Search](#)



Tel: +00 852-30501935

RFQ Email: Info@DiGi-Electronics.com

DiGi is a global authorized distributor of electronic components.

Purchase and inquiry

Manufacturer Product Number:

A-2004-2-3-LP/FS-N

Series:

-

Connector Type:

Jack

Number of Ports:

1

Mounting Type:

Through Hole

Termination:

Solder

Ratings:

-

LED Color:

Does Not Contain LED

Tab Direction:

Down

Contact Finish:

Gold

Housing Material:

Polyester

Base Product Number:

A-2004

Manufacturer:

Assmann WSW Components

Product Status:

Active

Number of Positions/Contacts:

8p8c (RJ45, Ethernet)

Number of Rows:

1

Orientation:

90° Angle (Right)

Shielding:

Shielded

Features:

Board Lock

Ingress Protection:

-

Contact Material:

Phosphor Bronze

Contact Finish Thickness:

50.0µin (1.27µm)

Operating Temperature:

-40°C ~ 85°C

Environmental & Export classification

RoHS Status:

ROHS3 Compliant

REACH Status:

REACH Unaffected

HTSUS:

8536.69.4040

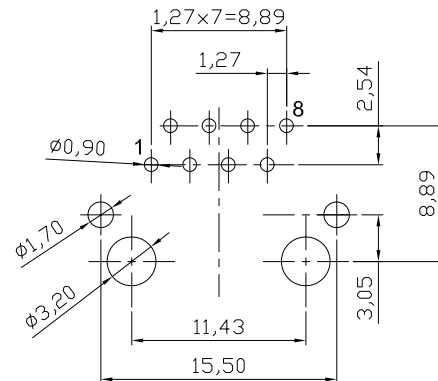
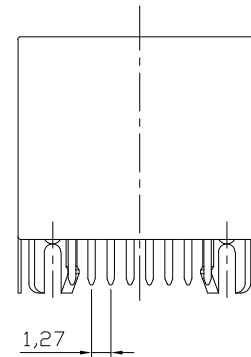
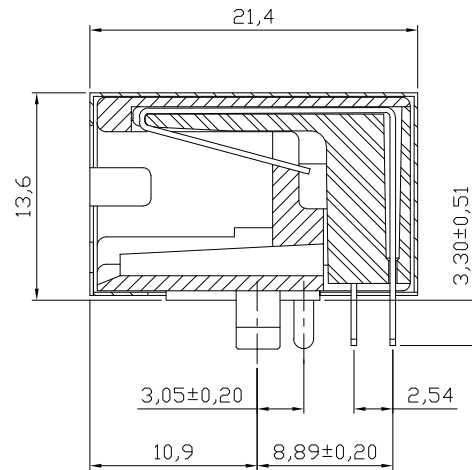
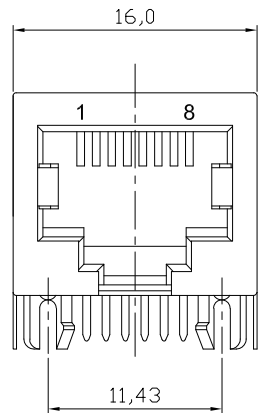
Moisture Sensitivity Level (MSL):

1 (Unlimited)

ECCN:

EAR99

A-2004-2-3-LP/FS-N-Assmann WSW-Components CONN MOD JACK 8P8C RYA SHIELDED



PC Board Layout
Component Side Shown

NOTES:

Mechanical:

1. Housing material : High Temp. Polyester UL94V-0 , Color: Black
2. Contact material: Phosphor Bronze t=0.35mm
3. Contact plating: Contact Area---Selective Gold plating
Tails---Tin plated all over 50u" Nickel
4. Shell: Copper Alloy
5. Shell plating: Nickel plated
6. Operating Life: 750 Cycles min.
7. PCB Retention Pre-solder: 1 LB min.
8. PCB Retention Post-solder: 10 LBS min.

Electrical:

1. Voltage Rating: 125VAC.
 2. Current Rating: 1.5AMP.
 3. Contact Resistance: 45mΩ max.
 4. Insulation Resistance: 1000MΩ min. @ 500 VDC
 5. Dielectric Strength: 1000 VAC 60Hz, 1 min.
- Environmental:**
1. Storage: -40°C To +85°C
 2. Operation: -40°C~+85°C
 3. Wave Soldering Temperature: 255°C~265°C 5~10S

Packing: 70pcs/Tray,1680pcs/Carton

Order code: A-2004-2-X-LP/FS-N

- Contact plating:
- 1: Selective 15u" gold
 - 2: Selective 30u" gold
 - 3: Selective 50u" gold

RoHS compliant
Unit:mm

| | | | | | | | | | | |
|-----------|-------|-----|--------------|--|------------|----------|------------|------|---------------------------------------|-------|
| Scale | Free | | | | | | Date | Name | Customer-No. | |
| TOLERANCE | | | | | | Drawn | 27.05.2013 | Amy | ASSMANN WSW-No. A-2004-2-X-LP/FS-N | |
| X.X | ±0.20 | | | | | Approved | 27.05.2013 | Amy | | |
| X.XX | ±0.15 | | | | | | | | | |
| X.XXX | ±0.10 | | | | | | | | Drawing-No. | |
| DIM | TOL | | | | | | | | ASS 5695 CO | rev00 |
| | | ① | Drawn | | 27.05.2013 | Amy | | | Replace | SHEET |
| Angle | ±5° | Id. | Modification | | Date | Name | | | | |



ASS 5695 CO rev00

Replace SHEET

OUR CERTIFICATE

DiGi provide top-quality products and perfect service for customer worldwide through standardization, technological innovation and continuous improvement. DiGi through third-party certification, we stricly control the quality of products and services. Welcome your RFQ to

Email: Info@DiGi-Electronics.com



Tel: +00 852-30501935

RFQ Email: Info@DiGi-Electronics.com

DiGi is a global authorized distributor of electronic components.