

A-MD-06PMFS-WP-R Datasheet



<https://www.DiGi-Electronics.com>

DiGi Electronics Part Number	A-MD-06PMFS-WP-R-DG
Manufacturer	Assmann WSW Components
Manufacturer Product Number	A-MD-06PMFS-WP-R
Description	CONN PLUG FEMALE MINI DIN 6P SLDR
Detailed Description	6 Position Circular Connector Plug, Female Sockets Solder Cup

This model A-MD-06PMFS-WP-R is available at DiGi Electronics.

DiGi Electronics offers a global database of semiconductor and electronic component datasheets.

We welcome your inquiries regarding pricing, lead time, or other product-related questions.

 [Request a Quote](#)

 [Datasheet Search](#)



Tel: +00 852-30501935

RFQ Email: Info@DiGi-Electronics.com

DiGi is a global authorized distributor of electronic components.

Purchase and inquiry

Manufacturer Product Number:

A-MD-06PMFS-WP-R

Series:

-

Connector Type:

Plug, Female Sockets

Shell Size - Insert:

Mini DIN

Mounting Type:

Panel Mount

Termination:

Solder Cup

Orientation:

Keyed

Shell Material:

-

Contact Finish - Mating:

-

Ingress Protection:

IP67 - Dust Tight, Waterproof

Features:

-

Current Rating (Amps):

-

Cable Opening:

0.709" (18.00mm)

Backshell Material, Plating:

-

Contact Finish Thickness - Mating:

-

Applications:

Automotive, Telecommunications

Manufacturer:

Assmann WSW Components

Product Status:

Obsolete

Number of Positions:

6

Shell Size, MIL:

-

Mounting Feature:

Bulkhead - Front Side Nut

Fastening Type:

Threaded

Primary Material:

-

Shell Finish:

-

Color:

-

Material Flammability Rating:

-

Shielding:

-

Voltage Rating:

-

Operating Temperature:

-

Contact Material:

-

Insert Material:

-

Base Product Number:

A-MD-06

Environmental & Export classification

Moisture Sensitivity Level (MSL):

1 (Unlimited)

ECCN:

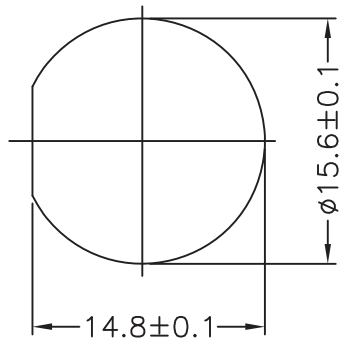
EAR99

REACH Status:

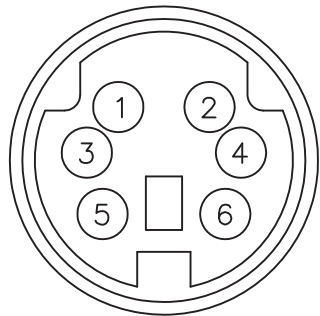
REACH Unaffected

HTSUS:

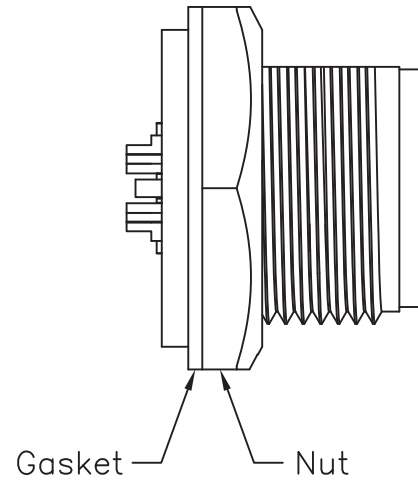
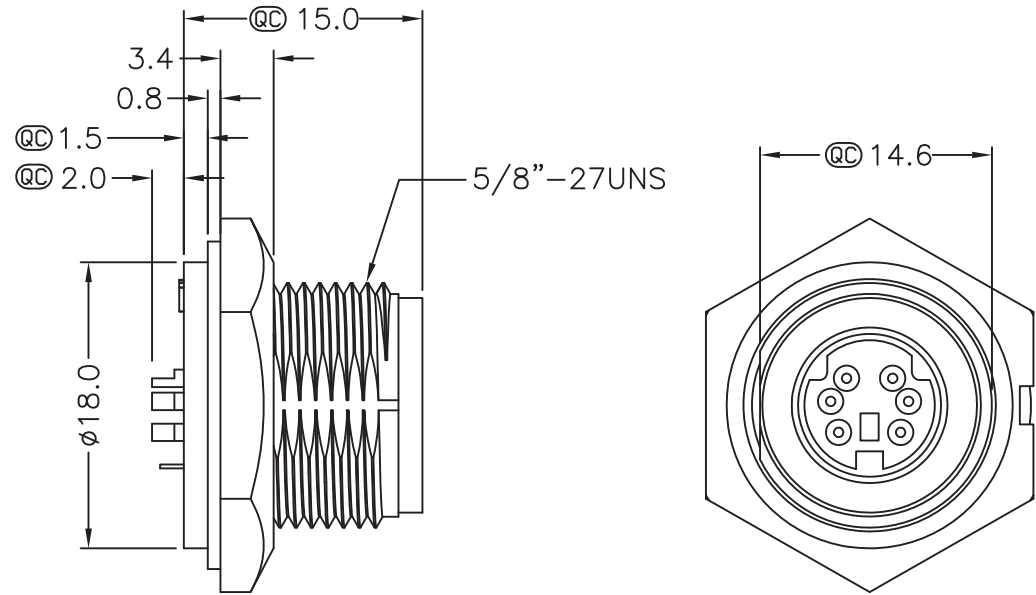
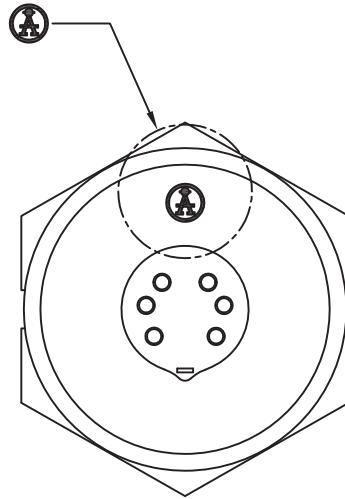
8536.10.1000



Recommended Panel Cut-Out



Pin Assignments
Front View



Gasket Nut

Material:

- Waterproof Rate: IP67
- Connector: Mini DIN 6Pin Male
- Nut: Nylon+GF
- Gasket: EPDM
- For panel thickness Max 4.0M

QC Quality Control: Important Dimension to check
Unit: MM±0.25MM

Ⓜ = Assmann logo



ITEM NO.	A-MD-06PMFS-WP-R
TITLE	Waterproof Mini DIN Connector - 6 Pin, Male connector, Female pin

ASSMANN
Electronics, Inc.

1840 W. Drake Drive, Suite 101 • Tempe, AZ 85283
Toll Free: 1-877-277-6266 • Email: info@usa-assmann.com

THIS DRAWING IS UNPUBLISHED
©Copyright 2010 by Assmann Electronic Components
All International Rights Reserved

A-MD-06PMFS-WP-R Assmann WSW Components CONN PLUG FEMALE MINI DIN 6P

OUR CERTIFICATE

DiGi provide top-quality products and perfect service for customer worldwide through standardization, technological innovation and continuous improvement. DiGi through third-party certification, we stricly control the quality of products and services. Welcome your RFQ to

Email: Info@DiGi-Electronics.com



Tel: +00 852-30501935

RFQ Email: Info@DiGi-Electronics.com

DiGi is a global authorized distributor of electronic components.