

805-061-16M8-7BF802 Datasheet



No Picture Yet

DiGi Electronics Part Number	805-061-16M8-7BF802-DG
Manufacturer	Glenair
Manufacturer Product Number	805-061-16M8-7BF802
Description	Triple-Start Mighty Mouse Circul
Detailed Description	Position Circular Connector

<https://www.DiGi-Electronics.com>

This model 805-061-16M8-7BF802 is available at DiGi Electronics.

DiGi Electronics offers a global database of semiconductor and electronic component datasheets.

We welcome your inquiries regarding pricing, lead time, or other product-related questions.

 [Request a Quote](#)

 [Datasheet Search](#)



Tel: +00 852-30501935

RFQ Email: Info@DiGi-Electronics.com

DiGi is a global authorized distributor of electronic components.



Purchase and inquiry

Manufacturer Product Number:

805-061-16M8-7BF802

Series:

Mighty Mouse 805

Manufacturer:

Glenair

Product Status:

Active

Environmental & Export classification

ECCN:

EAR99

HTSUS:

8536.69.4030



Series 805 Mighty Triple-Start ACME Thread Right Angle Plug with Integral Shell and Crimp Contacts

805-061 Ordering Information



Series 805 Mighty Mouse Cobra™ features integral ultra-low profile right angle shielded backshell reduces clearance requirements without compromising ruggedness, environmental protection or shielding performance. Removable rear cover allows easy access for soldering wires or inserting crimped wire contacts. Cover gasket prevents moisture intrusion. Master key may be clocked in 24 positions. Contacts are gold-plated copper alloy. Integral backshell allows for termination of cable shield to backshell with Band-Master strap and includes groove for lipped heat shrink boots. Crimp contacts are snap-in rear release — supplied separately. Available with size #23 contacts only.

How To Order

Sample Part Number	805-061-16	Z1	8-6	P	A	1	05
Series and Shell Style	805-061-16 = Low Profile, Right Angle Plug with Integral Backshell						
Shell Material and Finish	M = Aluminum / Electroless Nickel; RoHS Compliant MT = Aluminum / Nickel-PTFE RoHS Compliant NF = Aluminum / Cadmium with Olive Drab Chromate ZNU = Aluminum / Zinc-Nickel with Black Chromate Z1 = Stainless Steel / Passivated; RoHS Compliant						
Shell Size - Insert Arrangement (See Note 10)	8-4, 8-6, 8-7, 9-10, 10-13, 11-19, 12-26, 13-31, 15-37, 18-55, 19-85, 21-100, 23-130						
Contact Type	A = Pin, Solder P = Pin, Crimp B = Socket, Solder S = Socket, Crimp						
Shell Key Positions (See Table I)	A = Normal B = Pos. B C = Pos. C D = Pos. D E = Pos. E F = Pos. F						
Cable Exit Direction (See Table II)	1 through 8						
Cable Entry Size (See Table III)	02, 03, 04, 05, 06, 07, 08, 09, 10, 11, 12, 13, 14, 15, 16, 17						

Table I: Key Positions

Pos.	A	B
A	150°	210°
B	75°	210°
C	95°	230°
D	140°	275°
E	75°	275°
F	95°	210°

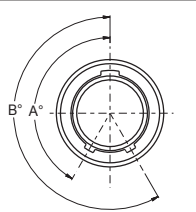


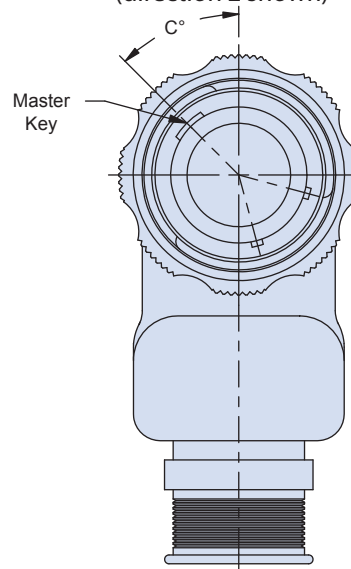
Table II: Cable Exit Direction

Direction	C°	Direction	C°
1	0°	E	105
2	45°	F	120
3	90°	G	150
4	135°	H	165
5	180°	J	195
6	225°	K	210
7	270°	L	240
8	315°	M	255
A	15	N	285
B	30	P	300
C	60	R	330
D	75	S	345

Table III: Cable Entry Size

Code	Entry Size	Code	Entry Size
02	.125 (3.18)	10	.625 (15.88)
03	.188 (4.78)	11	.688 (17.48)
04	.250 (6.35)	12	.750 (19.05)
05	.313 (7.95)	13	.813 (2.65)
06	.375 (9.52)	14	.875 (22.23)
07	.438 (11.13)	15	.938 (23.83)
08	.500 (12.70)	16	1.000 (25.40)
09	.563 (14.30)	17	1.063 (27.00)

Cable Exit Direction
(direction 2 shown)



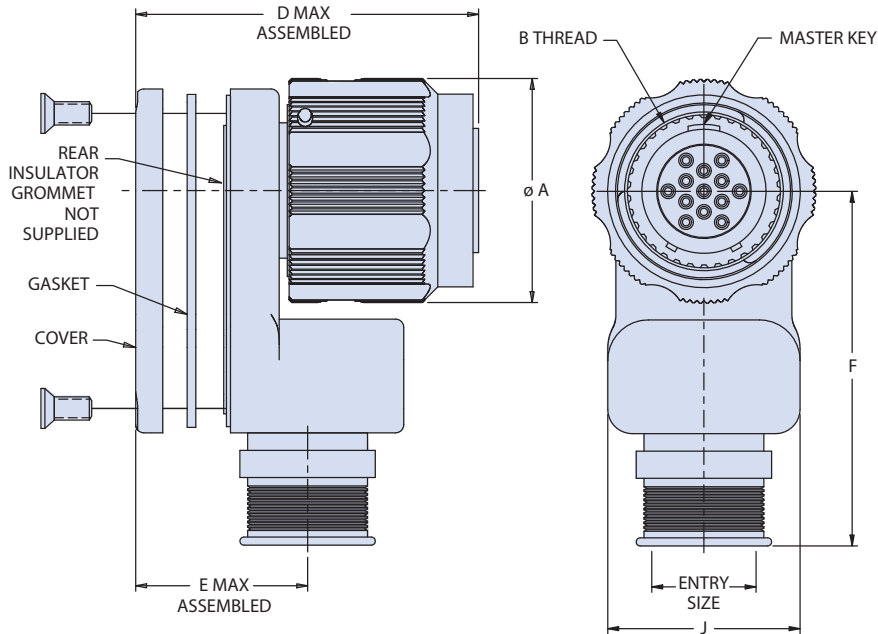
Dimensions in Inches (millimeters) are subject to change without notice.

Series 805 Mighty Triple-Start ACME Thread Right Angle Plug with Integral Shell and Crimp Contacts

805-061 Dimensions



Low profile Cobra™ right angle plug with integral backshell



NOTES

1. Contacts are size 23
2. Consult factory for additional contact arrangements and or shell orientations
3. Crimp barrel accommodate 22, 24, 26 and 28 gage wire
4. Crimp tool data:
5. Hand crimp tool: Glenair P/N 809-015
6. Positioner for hand tool: Genair P/N 809-005
7. Insertion/extraction tool: Glenair P/N 809-088
8. This connector mates with all quick coupling high density plug connectors with same polarization and opposite contact gender 805-003, 805-004
9. Rear insulator grommet not supplied
10. See Table IV for wire bend radius restrictions

Dimensions									
Shell Size	Ø A	B Thread	D	E	F	G	H	J	Max Entry
8	.65 (15.7)	.5000-.1P-.3L-TS-2B	1.02 (25.9)	.34 (8.6)	1.24 (31.5)	1.76 (44.7)	1.62 (41.1)	.560 (14.22)	04
9	.79 (20.1)	.5625-.1P-.3L-TS-2B	1.03 (26.2)	.39 (9.9)	1.28 (32.5)	1.77 (45.0)	1.63 (41.4)	.650 (16.51)	05
10	.83 (21.1)	.6250-.1P-.3L-TS-2B	1.05 (26.7)	.42 (10.7)	1.31 (33.3)	1.79 (45.5)	1.65 (41.9)	.710 (18.03)	06
11	.92 (23.4)	.6875-.1P-.3L-TS-2B	1.08 (27.4)	.45 (11.4)	1.34 (34.0)	1.82 (46.2)	1.68 (42.7)	.770 (19.56)	07
12	.98 (24.9)	.7500-.1P-.3L-TS-2B	1.11 (28.2)	.48 (12.2)	1.37 (34.8)	1.85 (47.0)	1.71 (43.4)	.835 (21.21)	08
13	1.05 (26.7)	.8125-.1P-.3L-TS-2B	1.14 (29.0)	.50 (12.7)	1.43 (36.3)	1.88 (47.8)	1.74 (44.2)	.900 (22.86)	09
15	1.10 (27.9)	.9375-.1P-.3L-TS-2B	1.17 (29.7)	.52 (13.2)	1.48 (37.6)	1.91 (48.5)	1.77 (45.0)	.950 (24.13)	10
18	1.29 (32.8)	1.1250-.1P-.3L-TS-2B	1.25 (31.8)	.58 (14.7)	1.64 (41.7)	1.99 (50.5)	1.85 (47.0)	1.070 (27.18)	12
19	1.31 (33.3)	1.1875-.1P-.3L-TS-2B	1.32 (33.5)	.63 (16.0)	1.78 (45.2)	2.06 (52.3)	1.92 (48.8)	1.180 (29.97)	13
21	1.45 (36.8)	1.3125-.1P-.3L-TS-2B	1.44 (36.6)	.70 (17.8)	1.89 (48.0)	2.18 (55.4)	2.04 (51.8)	1.300 (33.02)	15
23	1.56 (39.6)	1.4375-.1P-.3L-TS-2B	1.55 (39.4)	.76 (19.3)	1.98 (50.3)	2.30 (58.4)	2.16 (54.9)	1.410 (35.81)	17

Material and Finish

- Plug barrel, coupling nut, housing, cover: aluminum alloy or SST / see how to order table
- Insulator: LCP / N.A.
- Interfacial seal, gasket: fluorosilicone / N.A.
- Contact: copper alloy / gold plate per ASTM B 488, Type II, Code C, Class 1.25, over suitable underplate
- Contact retention clip: beryllium copper alloy / N.A.
- Hardware: stainless steel / passivate or black oxide
- Retaining wire: torlon / N.A.
- Detent spring, rivet: stainless steel / N.A.
- EMI ground spring: beryllium copper / electroless nickel

Dimensions in Inches (millimeters) are subject to change without notice.



Series 805 Mighty Triple-Start ACME Thread Right Angle Plug with Integral Shell and Crimp Contacts

805-061 Dimensions

Low profile Cobra™ right angle plug mating space requirements

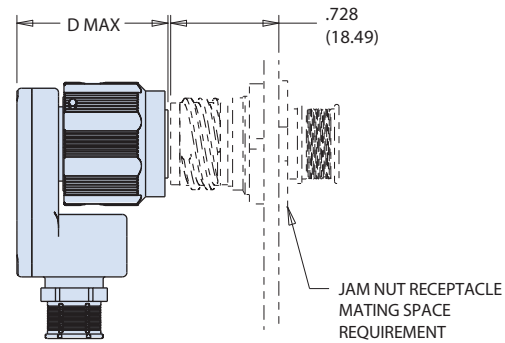
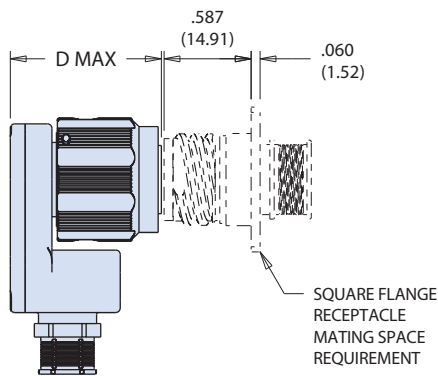
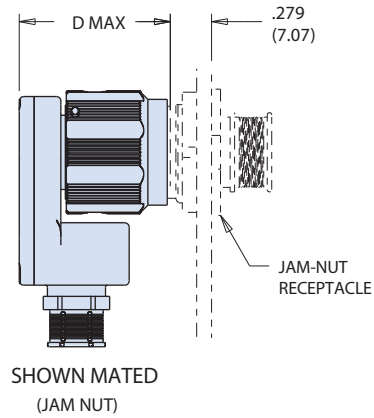
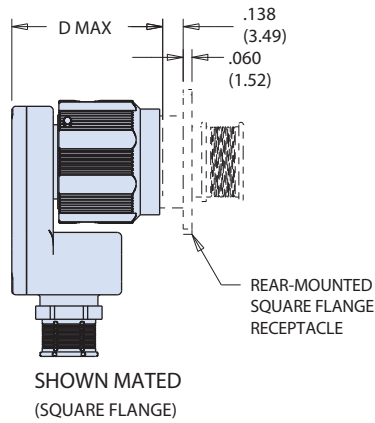


Table IV: Wire Bend Radius

Wire Size	Bend Radius
30 AWG	10x max
28 AWG	10x max
26 AWG	10x max
24 AWG	10x max
22 AWG	8x max
20 AWG	7x max
18 AWG	6x max
16 AWG	5x max
14 AWG	4x max
12 AWG	4x max

Dimensions in Inches (millimeters) are subject to change without notice.

OUR CERTIFICATE

DiGi provide top-quality products and perfect service for customer worldwide through standardization, technological innovation and continuous improvement. DiGi through third-party certification, we stricly control the quality of products and services. Welcome your RFQ to

Email: Info@DiGi-Electronics.com



Tel: +00 852-30501935

RFQ Email: Info@DiGi-Electronics.com

DiGi is a global authorized distributor of electronic components.