

HPE-SFP-XG-T-C Datasheet

www.digi-electronics.com



<https://www.DiGi-Electronics.com>

DiGi Electronics Part Number	HPE-SFP-XG-T-C-DG
Manufacturer	ATGBICS
Manufacturer Product Number	HPE-SFP-XG-T-C
Description	10GBASE-T SFP+ RJ45 30m
Detailed Description	Transceiver Module Ethernet 10Gbps 3.3V RJ45 Plug gable, SFP+

This model HPE-SFP-XG-T-C is available at DiGi Electronics.

DiGi Electronics offers a global database of semiconductor and electronic component datasheets.

We welcome your inquiries regarding pricing, lead time, or other product-related questions.

 [Request a Quote](#)

 [Datasheet Search](#)



Tel: +00 852-30501935

RFQ Email: Info@DiGi-Electronics.com

DiGi is a global authorized distributor of electronic components.

Purchase and inquiry

Manufacturer Product Number:

HPE-SFP-XG-T-C

Series:

-

Data Rate:

10Gbps

Applications:

Ethernet

Connector Type:

RJ45

Manufacturer:

ATGBICS

Product Status:

Active

Wavelength:

-

Voltage - Supply:

3.3V

Mounting Type:

Pluggable, SFP+

Environmental & Export classification

RoHS Status:

ROHS3 Compliant

REACH Status:

REACH Unaffected

HTSUS:

8517.70.6000

Moisture Sensitivity Level (MSL):

Vendor Undefined

ECCN:

EAR99

Technical Datasheet

HPE-SFP-XG-T-C

HPE® Compatible 10GBase-T SFP+ Transceiver

Hot Pluggable, +3.3V, Cat 6a/7 Cable, up to 30m, Commercial Temperature

FEATURES

- Supports 10GBase-T / 5GBase-T / 2.5GBase-T / 1000base-T
- Hot-pluggable SFP footprint
- Supports Links up to 30m using Cat 6a/7 Cable
- SFF-8431 and SFF-8432 MSA Compliant
- IEEE 802.3az Compliant
- Low Power Consumption (2.5W MAX at 30m)
- Commercial Operating Temperature Range: 0 to 70°C
- Fast Retrain EMI Cancellation Algorithm
- Low EMI Emissions
- I2C 2-Wire Interface for Serial ID and PHY Register Access
- Auto-negotiates with other 10GBase-T PHYs
- Supports 100/1000Base-T using Cat 5e cable or better
- MDI/MDIX Crossover
- Multiple Loopback Modes for Testing and Troubleshooting
- Built-in Cable Monitoring and Link
- Cable Length Measurements
- Robust Die Cast Housing
- Bail Latch Style ejector mechanism
- Unshielded and Shielded cable support

DESCRIPTION

ATGBICS® Compatible HPE-SFP-XG-T-C copper transceiver module is a high-performance integrated duplex data link for bi-directional communication over copper cable. It is specifically designed for high-speed communication links that require 10 Gigabit Ethernet over Cat 6a/7.

SFP+ 10GBASE-T Copper Small Form Pluggable (SFP) transceivers are based on the SFP Multi Source Agreement (MSA). They are compatible with the 10GBase-T / 5GBase-T / 2.5GBase-T / 1000base-T standards as specified in IEEE Std 802.3. SFP+ 10GBASE-T uses the SFP's RX_LOS pin for link indication. If pull up SFP's TX_DISABLE pin, PHY IC be reset.

Technical Datasheet

CABLE LENGTH

Standard	Cable	Reach	Host Port
10GBase-T	CAT6A	30m	XFI
5GBase-T/2.5GBase-T	CAT5E	50m	5GBase-R/2.5GBase-X
1000base-T	CAT5E	100m	1000base-FX

SFP TO HOST CONNECTOR PIN OUT

Pin	Symbol	Name/Description	Ref.
1	VEET	Transmitter Ground (Common with Receiver Ground)	1
2	TFAULT	Transmitter Fault. Not supported.	
3	TDIS	Transmitter Disable. Laser output disabled on high or open.	2
4	MOD_DEF(2)	Module Definition 2. Data line for Serial ID.	3
5	MOD_DEF(1)	Module Definition 1. Clock line for Serial ID.	3
6	MOD_DEF(0)	Module Definition 0. Grounded within the module.	3
7	Rate Select	No connection required	
8	LOS	High indicates no linked. low indicates linked.	4
9	VEER	Receiver Ground (Common with Transmitter Ground)	1
10	VEER	Receiver Ground (Common with Transmitter Ground)	1
11	VEER	Receiver Ground (Common with Transmitter Ground)	1
12	RD-	Receiver Inverted DATA out. AC Coupled	
13	RD+	Receiver Non-inverted DATA out. AC Coupled	
14	VEER	Receiver Ground (Common with Transmitter Ground)	1
15	VCCR	Receiver Power Supply	
16	VCCT	Transmitter Power Supply	
17	VEET	Transmitter Ground (Common with Receiver Ground)	1
18	TD+	Transmitter Non-Inverted DATA in. AC Coupled.	
19	TD-	Transmitter Inverted DATA in. AC Coupled.	
20	VEET	Transmitter Ground (Common with Receiver Ground)	1

Notes:

1. Circuit ground is connected to chassis ground
2. PHY disabled on $T_{DIS} > 2.0V$ or open, enabled on $T_{DIS} < 0.8V$
3. Should be pulled up with 4.7k - 10k Ohms on host board to a voltage between 2.0V and 3.6V. MOD_DEF(0) pulls line low to indicate module is plugged in.
4. LVTTTL compatible with a maximum voltage of 2.5V.

Technical Datasheet

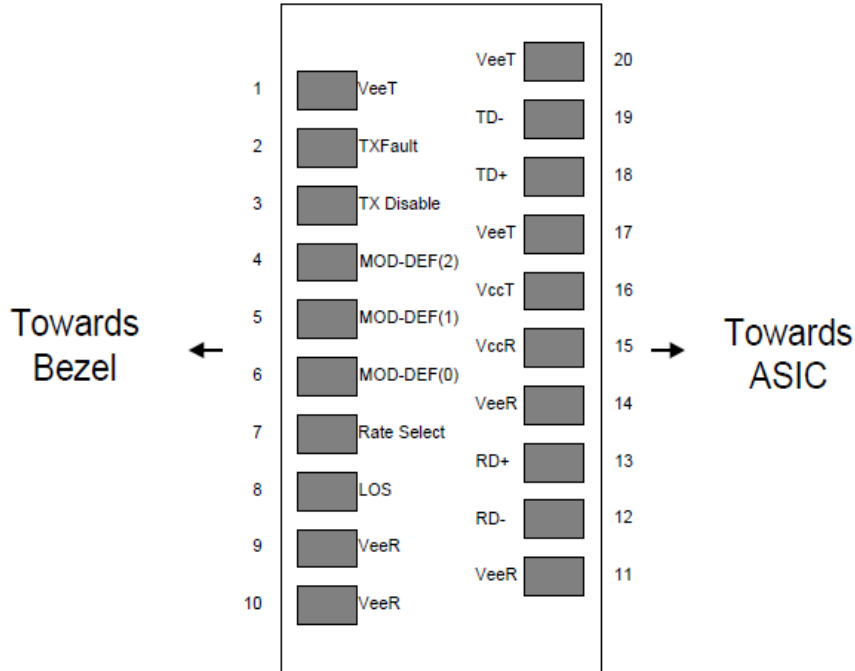


Figure 1. Diagram of host board connector block pin numbers and names

+3.3V VOLT ELECTRICAL POWER INTERFACE

The SFP+ 10GBASE-T has an input voltage range of 3.3V ± 5%. The 4V maximum voltage is not allowed for continuous operation.

+3.3 Volt Electrical Power Interface						
Parameter	Symbol	Min	Typ	Max	unit	Notes/Conditions
Supply Current	Is		700	900	mA	3.0W max power over full range of voltage and temperature. See caution note below
Input Voltage	Vcc	3.13	3.3	3.47	V	Referenced to GND
Maximum Voltage	Vmax			4	V	
Surge Current	Isurge		TBD		mA	Hot plug above steady state current. See caution note below

Caution: Power consumption and surge current are higher than the specified values in the SFP MSA

Technical Datasheet

LOW-SPEED SIGNALS

MOD_DEF(1) (SCL) and MOD_DEF(2) (SDA), are open drain CMOS signals (see section VII, "Serial Communication Protocol"). Both MOD_DEF(1) and MOD_DEF(2) must be pulled up to host_Vcc

Low-Speed Signals, Electronic Characteristics

Parameter	Symbol	Min	Max	unit	Notes/Conditions
SFP Output LOW	VOL	0	0.5	V	4.7k to 10k pull-up to host_Vcc, measured at host side of connector
SFP Output HIGH	VOH	host_Vcc -0.5	host_Vcc +0.3	V	4.7k to 10k pull-up to host_Vcc, measured at host side of connector
SFP Input LOW	VIL	0	0.8	V	4.7k to 10k pull-up to Vcc, measured at SFP side of connector
SFP Input HIGH	VIH	2	Vcc +0.3	V	4.7k to 10k pull-up to Vcc, measured at SFP side of connector

HIGH-SPEED ELECTRICAL INTERFACE

All high-speed signals are AC-coupled internally.

High-Speed Electrical Interface, Transmission Line-SFP						
Parameter	Symbol	Min	Typ	Max	unit	Notes/Conditions
Line Frequency	fL		125		MHz	5-level encoding, per IEEE 802.3
Tx Output Impedance	Zout,TX		100		Ohm	Differential, for all frequencies between 1MHz and 125MHz
Rx Input Impedance	Zin,RX		100		Ohm	Differential, for all frequencies between 1MHz and 125MHz

Technical Datasheet

High-Speed Electrical Interface, Host-SFP						
Parameter	Symbol	Min	Typ	Max	unit	Notes/Conditions
Single ended data input swing	Vinsing	250		1200	mV	Single ended
Single ended data output swing	Voutsing	350		800	mV	Single ended
Rise/Fall Time	T _r , T _f		175		psec	20%-80%
Tx Input Impedance	Z _{in}		50		Ohm	Single ended
Rx Output Impedance	Z _{out}		50		Ohm	Single ended

GENERAL SPECIFICATIONS

General						
Parameter	Symbol	Min	Typ	Max	unit	Notes/Conditions
Data Rate	BR	1		10	Gb/sec	IEEE 802.3 compatible. See Notes 1,2 below

Notes:

1. Clock tolerance is ± 50 ppm

ENVIRONMENTAL SPECIFICATIONS

Automatic crossover detection is enabled. External crossover cable is not required

Parameter	Symbol	Min	Typ	Max	unit	Notes/Conditions
Operating Temperature	Top	0		70	°C	Case temperature
Storage Temperature	T _{sto}	-40		85	°C	Ambient temperature

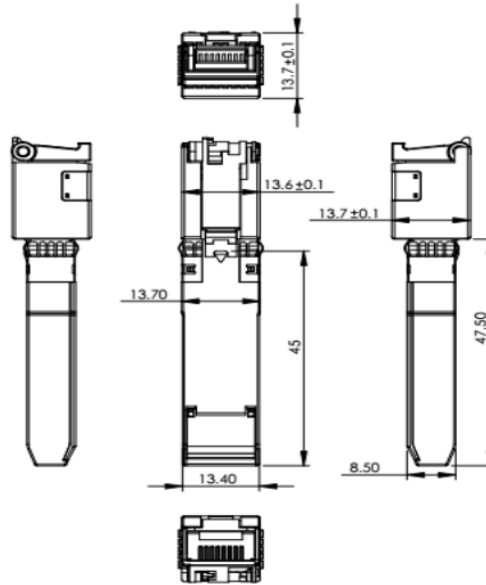
SERIAL COMMUNICATION PROTOCOL

All SFPs support the 2-wire serial communication protocol outlined in the SFP MSA. These SFPs use an MCU, can be accessed with address of A0h.

Parameter	Symbol	Min	Typ	Max	unit	Notes/Conditions
I ² C Clock Rate		0		200	kHz	

Technical Datasheet

MECHANICAL SPECIFICATIONS (UNIT: mm)



OUR CERTIFICATE

DiGi provide top-quality products and perfect service for customer worldwide through standardization, technological innovation and continuous improvement. DiGi through third-party certification, we stricly control the quality of products and services. Welcome your RFQ to

Email: Info@DiGi-Electronics.com



Tel: +00 852-30501935

RFQ Email: Info@DiGi-Electronics.com

DiGi is a global authorized distributor of electronic components.