

0650-5000-12 Datasheet



DiGi Electronics Part Number	0650-5000-12-DG
Manufacturer	Bel Fuse Inc.
Manufacturer Product Number	0650-5000-12
Description	FUSE CERAMIC 5A 250VAC 5X20MM
Detailed Description	5 A 250 V AC DC Fuse Cartridge, Ceramic Requires Holder 5mm x 20mm

<https://www.DiGi-Electronics.com>

This model 0650-5000-12 is available at DiGi Electronics.

DiGi Electronics offers a global database of semiconductor and electronic component datasheets.

We welcome your inquiries regarding pricing, lead time, or other product-related questions.

 [Request a Quote](#)

 [Datasheet Search](#)



Tel: +00 852-30501935

RFQ Email: Info@DiGi-Electronics.com

DiGi is a global authorized distributor of electronic components.

Purchase and inquiry

Manufacturer Product Number:

0650-5000-12

Series:

5HF

Mounting Type:

Requires Holder

Current Rating (Amps):

5 A

Response Time:

Fast Blow

Breaking Capacity @ Rated Voltage:

1.5kA

Approval Agency:

CCC, CE, CSA, IMQ, PSE, SEMKO, UR, VDE

Color:

-

DC Cold Resistance:

0.016 Ohms

Manufacturer:

Bel Fuse Inc.

Product Status:

Obsolete

Fuse Type:

Cartridge, Ceramic

Voltage Rating - AC:

250 V

Package / Case:

5mm x 20mm

Melting I²t:

39

Operating Temperature:

-55°C ~ 125°C

Size / Dimension:

0.201" Dia x 0.787" L (5.10mm x 20.00mm)

Environmental & Export classification

RoHS Status:

RoHS non-compliant

REACH Status:

REACH Unaffected

HTSUS:

8536.10.0040

Moisture Sensitivity Level (MSL):

Not Applicable

ECCN:

EAR99

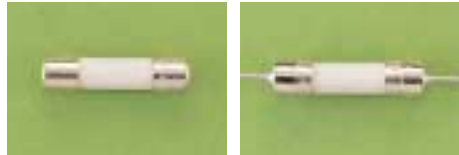


5HFD0903

Type 5HF / 5HFP

5 x 20mm Ceramic Tube

Quick-acting Fuse Series (High-Breaking Capacity)



Electrical Characteristics (IEC-127-2 STANDARD SHEET 1)

Rated Current	1.5 In		2.1 In		2.75 In		4 In		10 In
	MIN	MAX	MIN	MAX	MIN	MAX	MIN	MAX	MAX
100mA to 3.15A	1	30	10	2	3	300	20		
4A and above	1	30	10	3	3	300	20		
	hr.	min.	ms	sec	ms	ms	ms		

Approvals

Safety Agency Approvals	Amp range / Volt @ I.R.ability
Certificate No. 9351184; 9431177 Licence No. 40000506 Certificate No. E1262	1A - 6.3A / 250V AC@ 1,500A
Recognized File No. E20624 Acceptance File No. LR39772	100mA -10A / 250V AC@ 1,500A
File No. JET1037-31003-1004, JET1037-31003-1005 Licence No. 2002010207021529	1A - 5A / 250V AC@ 1,500A 100mA - 10A / 250V AC@ 1,500A

Operating Temperature

-55°C to +125°C

Physical Specification

Materials

Ceramic body / Nickel Plated Brass Caps

Lead wire:

- Tin-lead plated Copper,
- Diameter 0.032", 6.3A and less
- Diameter 0.040", 8A and above

Marking

On fuse:

"bel", "F", "Current Rating", "H", "250V", and "Appropriate Safety Logos"

On label:

Above info plus "5HF" or "5HFP", "CE" and interrupting rating

Packaging

1. In bulk:

5HF - 1,000 pcs per box; 5HFP - 500 pcs per box

2. On Axial Tape & Reel:

1,500 pcs per reel

3. Tape & Reel specification:

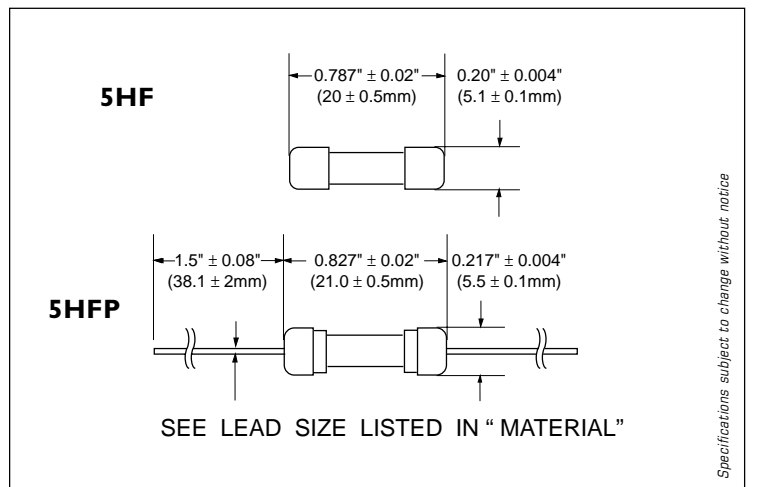
per EIA-296-E & IEC 286-1

@ 10mm Pitch and 63.5mm inside Tape Spacing

Catalog Number	Ampere Rating	Typical Cold Resistance (ohm)	Volt-drop @100% In (Volt) max.	Melting I ² T < 10 mSec (A ² Sec)	Melting I ² T @10 In (A ² Sec)	Maximum Power Dissipation (W)
5HF (P) 100	100mA	3.85	0.56	0.003	0.002	0.30
5HF (P) 125	125mA	2.78	0.54	0.005	0.004	0.36
5HF (P) 160	160mA	2.01	0.52	0.009	0.008	0.43
5HF (P) 200	200mA	1.45	0.50	0.016	0.014	0.52
5HF (P) 250	250mA	1.05	0.48	0.028	0.026	0.63
5HF (P) 315	315mA	0.76	0.46	0.051	0.046	0.76
5HF (P) 400	400mA	0.55	0.44	0.091	0.084	0.92
5HF (P) 500	500mA	0.40	0.43	0.16	0.15	1.11
5HF (P) 630	630mA	0.29	0.41	0.29	0.27	1.35
5HF (P) 800	800mA	0.21	0.20	0.36	0.35	0.58
5HF (P) 1	1A	0.15	0.18	0.65	0.63	0.69
5HF (P) 1.25	1.25A	0.11	0.17	1.17	1.15	0.81
5HF (P) 1.6	1.6A	0.08	0.16	2.10	2.07	0.96
5HF (P) 2	2A	0.06	0.15	3.8	3.7	1.1
5HF (P) 2.5	2.5A	0.04	0.14	6.8	6.8	1.3
5HF (P) 3.15	3.15A	0.031	0.14	12.2	12.3	1.6
5HF (P) 4	4A	0.023	0.13	22	22	1.9
5HF (P) 5	5A	0.016	0.12	39	40	2.2
5HF (P) 6.3	6.3A	0.012	0.113	70	73	2.7
5HF (P) 8	8A	0.009	0.106	126	131	3.1
5HF (P) 10	10A	0.006	0.100	227	238	3.7

Consult manufacturer for other ratings

Mechanical Dimensions



SEE LEAD SIZE LISTED IN "MATERIAL"

Specifications subject to change without notice

ORDERING INFORMATION SEE PAGES 67 & 68

defining a degree of excellence

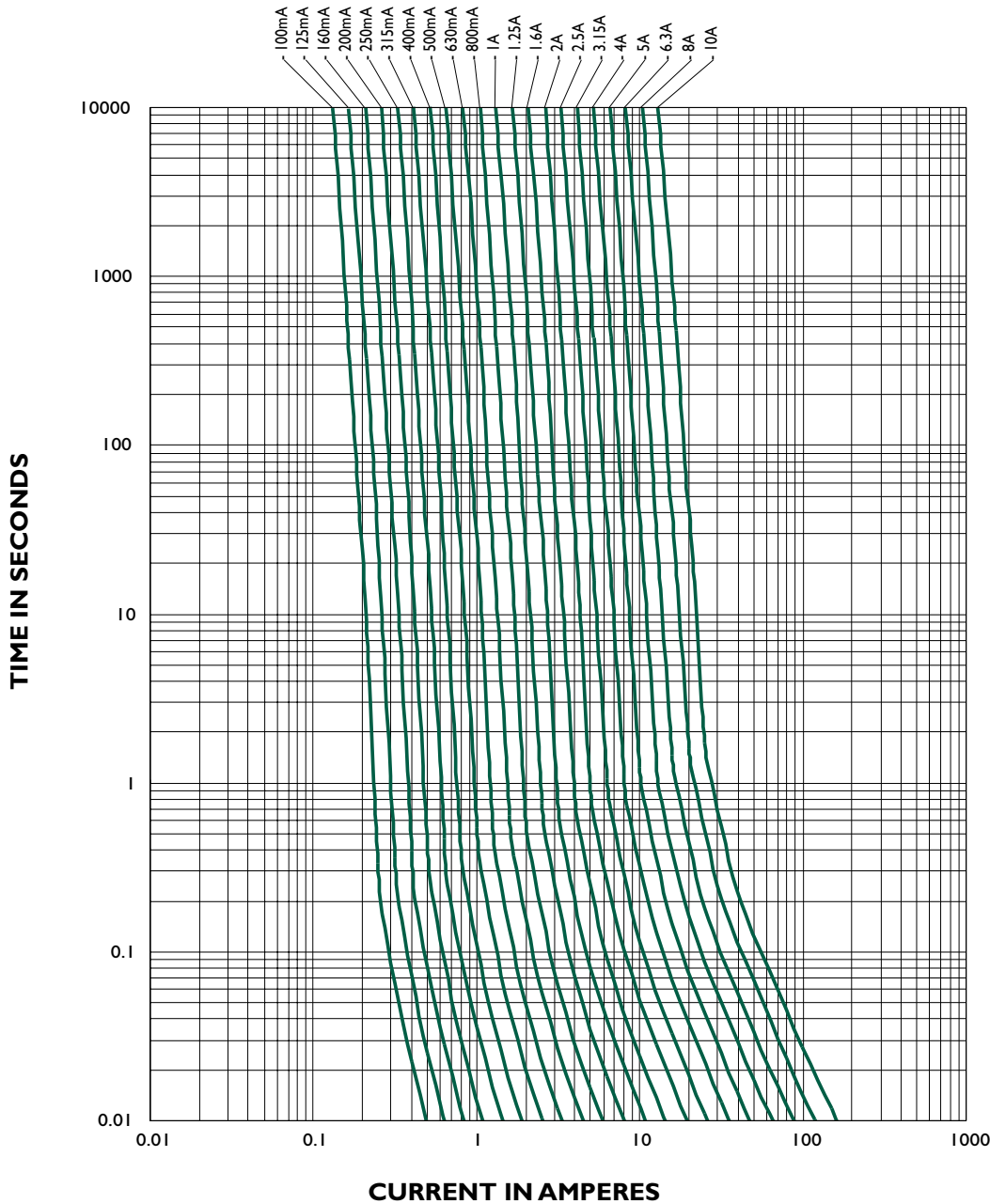


Type 5HF / 5HFP
Quick-acting Fuse Series (High-Breaking Capacity)

5 x 20mm Ceramic Tube

5HFC0801

5HF / 5HFP - TIME CURRENT CHARACTERISTIC CURVE



Specifications subject to change without notice

NOTE - see important information under "User Guide" on P.08

Corporate Office
Bel Fuse Inc.
 206 Van Vorst Street, Jersey City, NJ 07302
 Tel: 201-432-0463
 Fax: 201-432-9542
 E-Mail: belfuse@belfuse.com
 Website: www.belfuse.com

Far East Office
Bel Fuse Ltd.
 8F/8 Luk Hop Street
 San Po Kong
 Kowloon, Hong Kong
 Tel: 852-2328-5515
 Fax: 852-2352-3706

European Office
Bel Fuse Europe Ltd.
 Preston Technology Management Centre
 Marsh Lane, Preston PR1 8UD
 Lancashire, U.K
 Tel: 44-1772-556601
 Fax: 44-1772-888366

OUR CERTIFICATE

DiGi provide top-quality products and perfect service for customer worldwide through standardization, technological innovation and continuous improvement. DiGi through third-party certification, we stricly control the quality of products and services. Welcome your RFQ to

Email: Info@DiGi-Electronics.com



Tel: +00 852-30501935

RFQ Email: Info@DiGi-Electronics.com

DiGi is a global authorized distributor of electronic components.