

BCM53549A0IFSBG Datasheet



DiGi Electronics Part Number	BCM53549A0IFSBG-DG
Manufacturer	Broadcom Limited
Manufacturer Product Number	BCM53549A0IFSBG
Description	ETHERNET SWITCH LT3-LITE
Detailed Description	Ethernet Switch IEEE 802.3, 10/100 Base-T/TX/FX P HY USB Interface

<https://www.DiGi-Electronics.com>



Tel: +00 852-30501935

RFQ Email: Info@DiGi-Electronics.com

DiGi is a global authorized distributor of electronic components.

Purchase and inquiry

Manufacturer Product Number:

BCM53549A0IFSBG

Series:

-

DiGi-Electronics Programmable:

Not Verified

Function:

Switch

Standards:

IEEE 802.3, 10/100 Base-T/TX/FX PHY

Current - Supply:

-

Package / Case:

-

Manufacturer:

Broadcom Limited

Product Status:

Active

Protocol:

Ethernet

Interface:

USB

Voltage - Supply:

-

Operating Temperature:

-

Supplier Device Package:

-

Environmental & Export classification

RoHS Status:

ROHS3 Compliant

Moisture Sensitivity Level (MSL):

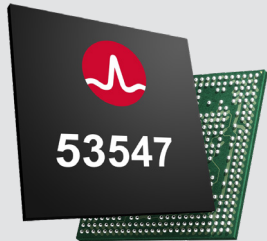
3 (168 Hours)



Product Brief

BCM53547

40 Gb/s Multilayer Switch



Key Features

- Highly integrated 24-port 10/100/1000 Mb/s Ethernet switch with 24 integrated copper 10/100/1000 PHYs
- Four ports support either GPHY, SGMII, or 2500BASE-X
- Four 2.5G stacking/uplink ports, configured as SGMII, 2500BASE-X, or HiGig-Lite
- Integrated ARM Cortex-A9 CPU
- Fully integrated packet buffer
- Intelligent Memory Management Unit (MMU) optimized for handling bursty data traffic
- L2, IPv4/IPv6 L3 packet classification
- Flow-based classification, metering, and marking of frames
- Enhanced DoS attack statistics gathering
- Industrial temperature support
- IEEE 1588 (1-Step TC) support
- Advanced single-stage ContentAware Engine
- Enhanced security and visibility into tunnels
- Full IPv4 and IPv6 support
- Low-power Energy Efficient Ethernet support

Description

The Broadcom® BCM53547 switch family offers industry-leading integration and low power in a small footprint. The device offers up to 24GbE ports and four 2.5G uplink ports. Offering the industry's highest level of integration, the BCM53547 has embedded copper GPHYs as well as a powerful Arm Cortex-A9 processor. The BCM53547 is ideal for cost-sensitive edge applications such as L2/L3 Smart-managed wiring closet switches for enterprise or MTU/MDU switches for service providers.

The BCM53547 family offers I/O configurations that address key segments of Edge connectivity. A single device supports the popular 24x GbE switch with 4x 2.5G uplinks.

IEEE 802.11ac Wave2 increases the data rate required by access points from GbE to 2.5GbE. The BCM53547 provides up to four of the 24 ports to be multirate, enabling the development of cost-effective platforms that support both Gigabit connections for the desktop as well as 2.5G for access points.

The BCM53547 device family builds on the successful BCM53344 and features EEE for low power, IEEE 802.1Q VLAN, VLAN translation, enhanced Denial-of-Service (DoS) protection, IPv4 and IPv6 support, advanced ContentAware™ Engine, IEEE 802.1p Quality-of-Service (QoS), and HiGig-Lite™ stacking. New features in this generation include priority flow control, and IEEE 802.1br port extender support.

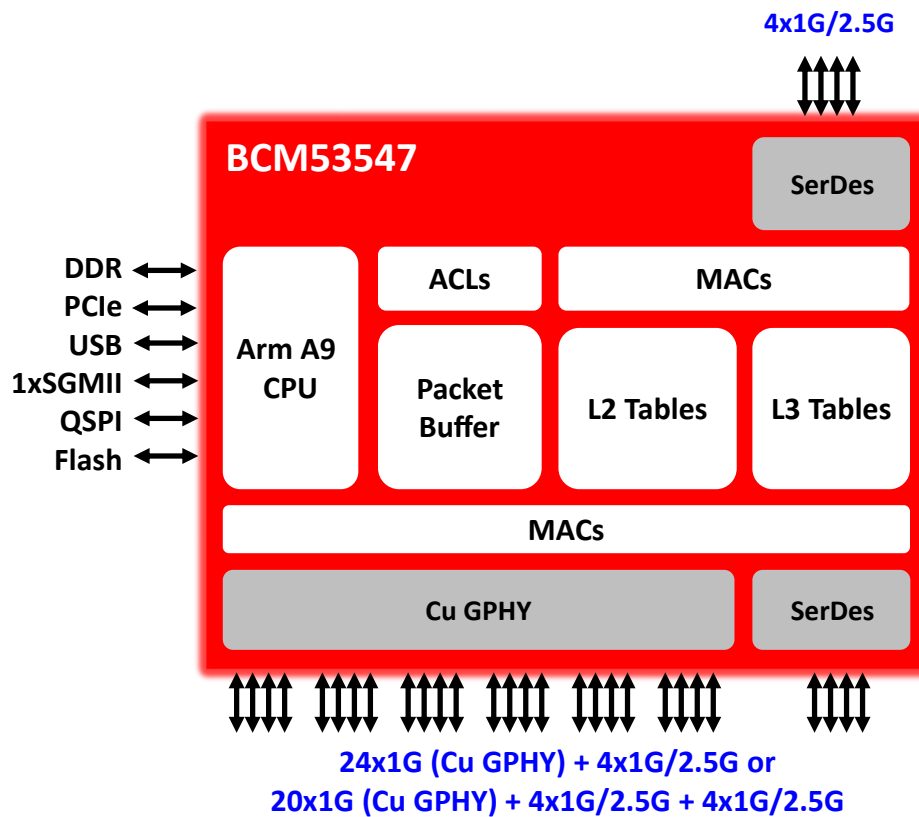
Benefits

- Single-chip solution reduces overall system cost by eliminating the number of required components
- Advanced process technology reduces the overall power consumption and package size for additional system cost reductions
- Supports IEEE 802.11ac Wave2 data rates of 2.5 Gb/s on up to four of the 24 ports to provide future-proofing
- Eight flexible Class-of-Service queues per port assure the lowest latency to high-priority traffic
- Based on industry-leading and market-proven StrataXGS® architecture reduces development costs
- IPv6 support provides future-proofing

Applications

- SMB/SME 1G/2.5G switches
- Security appliances
- Multi-dwelling Unit (MDU) switches
- Industrial Ethernet/Automotive switches

Figure. BCM53547 Block Diagram



Ordering Information	
Part Number	Description
BCM53547AoKFSBG	24x1G + 4x1G/2.5G or
BCM53547AoIFSBG	20x1G + 4x1G/2.5G + 4x1G/2.5G
BCM53548AoKFSBG	16x1G + 4x1G/2.5G or
BCM53548AoIFSBG	12x1G + 4x1G/2.5G + 4x1G/2.5G
BCM53549AoKFSBG	8x1G + 4x1G/2.5G or
BCM53549AoIFSBG	4x1G + 4x1G/2.5G + 4x1G/2.5G

OUR CERTIFICATE

DiGi provide top-quality products and perfect service for customer worldwide through standardization, technological innovation and continuous improvement. DiGi through third-party certification, we strictly control the quality of products and services. Welcome your RFQ to

Email: Info@DiGi-Electronics.com



Tel: +00 852-30501935

RFQ Email: Info@DiGi-Electronics.com

DiGi is a global authorized distributor of electronic components.