

USB-A-D-RA-HT-T/R Datasheet

www.digi-electronics.com



<https://www.DiGi-Electronics.com>

DiGi Electronics Part Number	USB-A-D-RA-HT-T/R-DG
Manufacturer	Adam Tech
Manufacturer Product Number	USB-A-D-RA-HT-T/R
Description	USB TYPE A, DUAL STACKED, RIGHT
Detailed Description	USB-A (USB TYPE-A), Stacked Receptacle Connector 8 Position Through Hole, Right Angle

This model USB-A-D-RA-HT-T/R is available at DiGi Electronics.

DiGi Electronics offers a global database of semiconductor and electronic component datasheets.

We welcome your inquiries regarding pricing, lead time, or other product-related questions.

 [Request a Quote](#)

 [Datasheet Search](#)



Tel: +00 852-30501935

RFQ Email: Info@DiGi-Electronics.com

DiGi is a global authorized distributor of electronic components.

Purchase and inquiry

Manufacturer Product Number:

USB-A-D-RA-HT-T/R

Series:

-

Connector Type:

USB-A (USB TYPE-A), Stacked

Gender:

Receptacle

Mounting Type:

Through Hole, Right Angle

Termination:

Solder

Ingress Protection:

-

Number of Ports:

2

Voltage - Rated:

30VAC

Shielding:

Shielded

Shell/Shielding Material:

Copper/Steel

Insulation Color:

Black

Manufacturer:

Adam Tech

Product Status:

Active

Number of Contacts:

8

Specifications:

-

Mounting Feature:

Horizontal

Features:

Board Lock

Operating Temperature:

-20°C ~ 60°C

Current Rating (Amps):

1A

Mating Cycles:

-

Contact Finish:

Gold

Material Flammability Rating:

UL94 V-0

Base Product Number:

USB-A

Environmental & Export classification

RoHS Status:

ROHS3 Compliant

REACH Status:

REACH Unaffected

HTSUS:

8536.69.4040

Moisture Sensitivity Level (MSL):

1 (Unlimited)

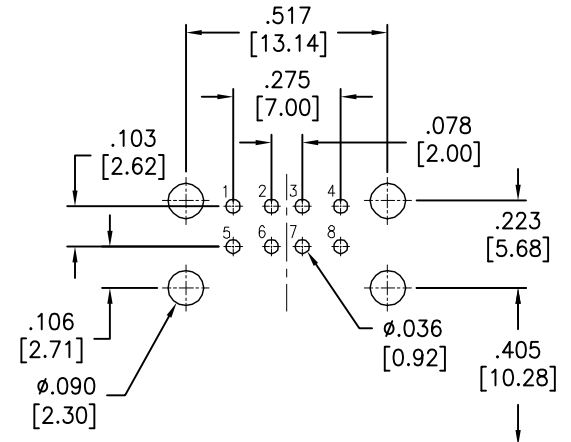
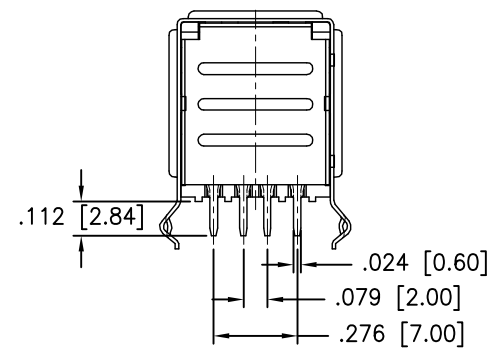
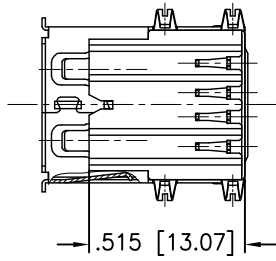
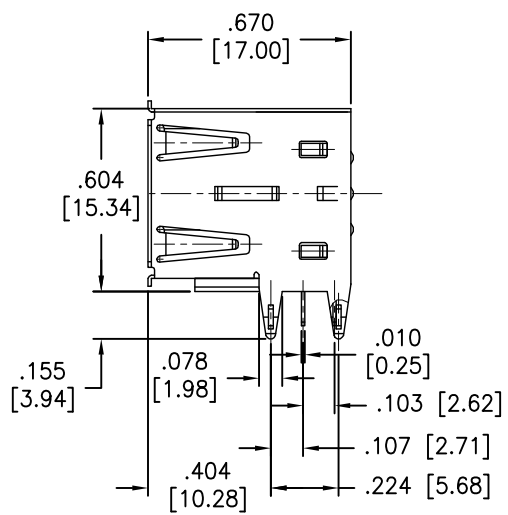
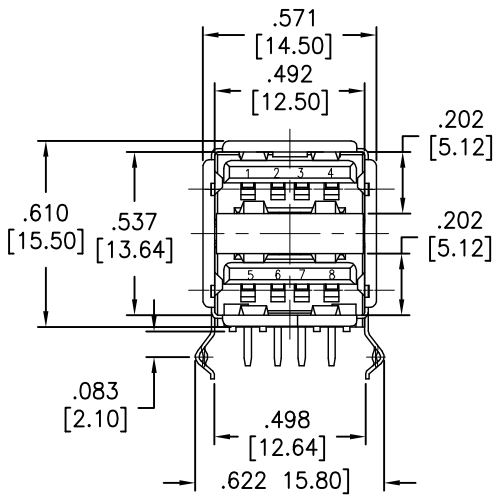
ECCN:

EAR99

USB-A-D-RA-HT-T/R Adam Tech USB TYPE A, DUAL STACKED, RIGHT

APPROVED: _____
 DATE: _____ TITLE: _____

Rev	AWO #	Description	Date	Appr
-		RELEASED	4/12/16	
A		UPDATED SPEC.	7/21/16	HR/MY



RECOMMENDED PCB LAYOUT

SPECIFICATIONS:
 Material:
 Insulator: Hi-temp thermoplastic, rated UL 94V-0
 Insulator color: Black
 Contacts: Copper Alloy
 Shell: Steel/Copper, Nickel plated
 Plating:
 Gold flash over Nickel underplate on contact area,
 Tin over Copper underplate on PCB tails
 Electrical:
 Voltage rating: 30 VAC
 Current rating: 1 Amp
 Contact resistance: 30 mohms max.
 Insulation resistance: 1,000 Mohms min.
 Dielectric withstanding voltage: 500 VAC for 1 minute
 Temperature Rating:
 Operating temperature: -20°C to +60°C
 Environmental:
 Lead free, RoHS compliant.



PACKAGED ON TAPE & REEL

UNLESS OTHERWISE SPECIFIED ALL DIMENSIONS ARE INCHES [MM] TOLERANCES: EXCEPT AS NOTED		
INCHES		HOLES
.X ± .10	Ø.X ± .10	
.XX ± .020	Ø.XX ± .015	
.XXX ± .015	Ø.XXX ± .010	
APPROVALS		DATE
DRAWN	AY	4/12/16
CHECKED	OC	4/12/16
APPROVED		

ADAM TECH		
909 Rahway Avenue, Union, NJ 07083 Phone: 908-687-5000 Fax: 908-687-5710		
TITLE		REV.
UNIVERSAL SERIAL BUS, HI-TEMP DUAL PORT, RIGHT ANGLE, PCB		A
SIZE	PART NO.	
X	USB-A-D-RA-HT-T/R	
REF:	S00005C	SHEET 1 OF 1

OUR CERTIFICATE

DiGi provide top-quality products and perfect service for customer worldwide through standardization, technological innovation and continuous improvement. DiGi through third-party certification, we stricly control the quality of products and services. Welcome your RFQ to

Email: Info@DiGi-Electronics.com



Tel: +00 852-30501935

RFQ Email: Info@DiGi-Electronics.com

DiGi is a global authorized distributor of electronic components.