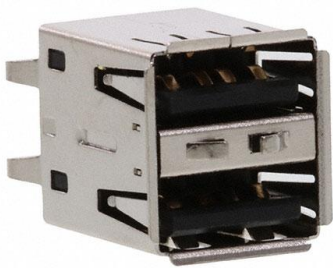


# USB-A-D-VT Datasheet

[www.digi-electronics.com](http://www.digi-electronics.com)



<https://www.DiGi-Electronics.com>

DiGi Electronics Part Number	USB-A-D-VT-DG
Manufacturer	<a href="#">Adam Tech</a>
Manufacturer Product Number	USB-A-D-VT
Description	USB TYPE A, DUAL STACKED, VERTIC
Detailed Description	USB-A (USB TYPE-A), Stacked USB 2.0 Receptacle Connector 8 Position Through Hole

This model USB-A-D-VT is available at DiGi Electronics.

DiGi Electronics offers a global database of semiconductor and electronic component datasheets.

We welcome your inquiries regarding pricing, lead time, or other product-related questions.

 [Request a Quote](#)

 [Datasheet Search](#)



Tel: +00 852-30501935

RFQ Email: [Info@DiGi-Electronics.com](mailto:Info@DiGi-Electronics.com)

DiGi is a global authorized distributor of electronic components.

## Purchase and inquiry

Manufacturer Product Number:

USB-A-D-VT

Series:

-

Connector Type:

USB-A (USB TYPE-A), Stacked

Gender:

Receptacle

Mounting Type:

Through Hole

Termination:

Solder

Ingress Protection:

-

Number of Ports:

2

Voltage - Rated:

30VAC

Shielding:

Shielded

Shell/Shielding Material:

Steel

Insulation Color:

Black

Manufacturer:

Adam Tech

Product Status:

Active

Number of Contacts:

8

Specifications:

USB 2.0

Mounting Feature:

Vertical

Features:

Board Lock

Operating Temperature:

-55°C ~ 85°C

Current Rating (Amps):

1A

Mating Cycles:

-

Contact Finish:

Gold

Material Flammability Rating:

UL94 V-0

Base Product Number:

USB-A

## Environmental & Export classification

RoHS Status:

ROHS3 Compliant

REACH Status:

REACH Unaffected

HTSUS:

8536.69.4040

Moisture Sensitivity Level (MSL):

1 (Unlimited)

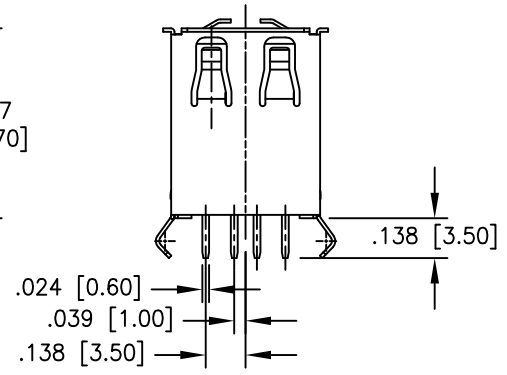
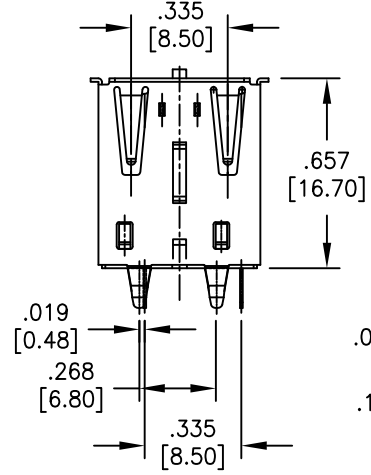
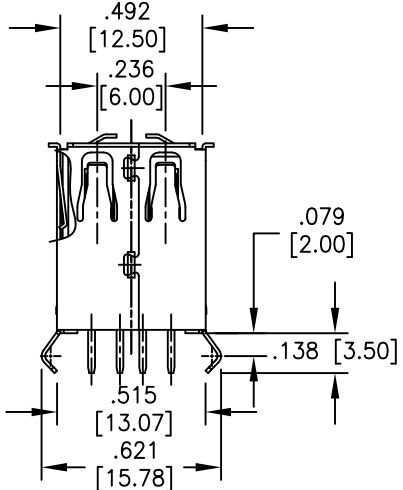
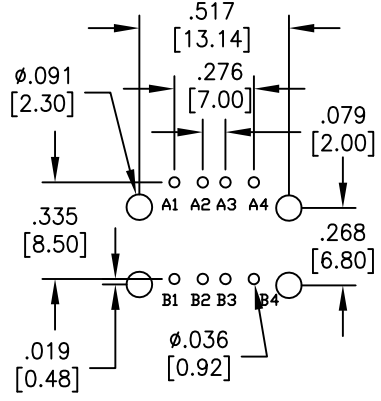
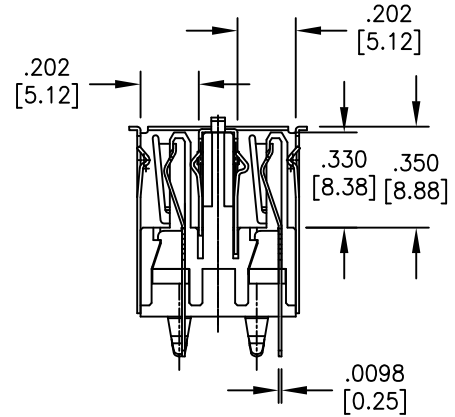
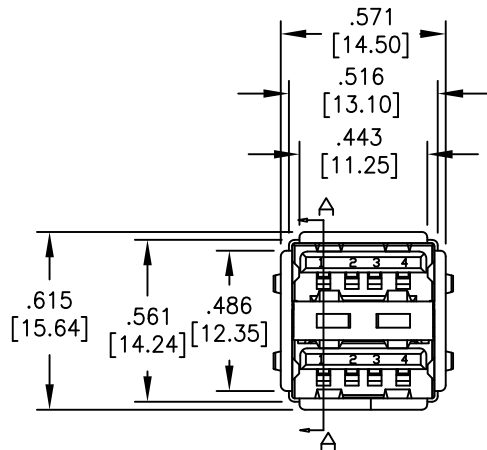
ECCN:

EAR99

USB-A-D-VT Adam Tech USB TYPE A, DUAL STACKED, VERTIC

APPROVED: \_\_\_\_\_  
 DATE: \_\_\_\_\_ TITLE: \_\_\_\_\_

Rev	AWO #	Description	Date	Appr
-		RELEASED	9/22/05	
A		REDRAWN	9/29/09	
B		UPDATED TEMPERATURE RATING	7/18/13	SS
C		UPDATED SPEC.	9/30/16	HR/YC
D		UPDATED SPEC.	2/12/18	SS



**SPECIFICATIONS:**  
 Material:  
 Insulator: PBT, Glass filled, rated UL 94V-0  
 Insulator color: Black  
 Contacts: Phosphor Bronze  
 Shell: Steel, nickel plated  
 Plating:  
 Gold flash over Nickel underplate on contact area,  
 Tin over Nickel underplate on PCB tails  
 Electrical:  
 Voltage rating: 30 V  
 Current rating: 1.5 Amp @ 250 VAC  
 Contact resistance: 30 mohms max.  
 Insulation resistance: 1000 Mohms min.  
 Dielectric withstanding voltage: 500 VAC for 1 minute  
 Temperature Rating:  
 Operating temperature: -55°C to +85°C  
 Environmental:  
 Lead free, RoHS compliant.



UNLESS OTHERWISE SPECIFIED ALL DIMENSIONS ARE INCHES [MM] TOLERANCES: EXCEPT AS NOTED	
INCHES	HOLES
.X ± .10	ØX ± .10
.XX ± .020	ØXX ± .015
.XXX ± .015	ØXXX ± .010
APPROVALS	
DRAWN	DATE
CHECKED	
APPROVED	

**ADAM TECH**  
 909 Rahway Avenue, Union, NJ 07083  
 Phone: 908-687-5000 Fax: 908-687-5710

TITLE: UNIVERSAL SERIAL BUS  
 DUAL PORT, VERTICAL, PCB

SIZE: X PART NO.: USB-A-D-VT REV. D

REF: S00005C SCALE: NTS SHEET 1 OF 1

6 5 4 3 2 1

D C B A

## OUR CERTIFICATE

DiGi provide top-quality products and perfect service for customer worldwide through standardization, technological innovation and continuous improvement. DiGi through third-party certification, we strictly control the quality of products and services. Welcome your RFQ to

Email: [Info@DiGi-Electronics.com](mailto:Info@DiGi-Electronics.com)



Tel: +00 852-30501935

RFQ Email: [Info@DiGi-Electronics.com](mailto:Info@DiGi-Electronics.com)

DiGi is a global authorized distributor of electronic components.