

# USB-A-S-RA Datasheet

[www.digi-electronics.com](http://www.digi-electronics.com)



<https://www.DiGi-Electronics.com>

DiGi Electronics Part Number	USB-A-S-RA-DG
Manufacturer	<a href="#">Adam Tech</a>
Manufacturer Product Number	USB-A-S-RA
Description	USB TYPE A, RIGHT ANGLE, THROUGH
Detailed Description	USB-A (USB TYPE-A) USB 2.0 Receptacle Connector 4 Position Through Hole, Right Angle

This model USB-A-S-RA is available at DiGi Electronics.

DiGi Electronics offers a global database of semiconductor and electronic component datasheets.

We welcome your inquiries regarding pricing, lead time, or other product-related questions.

 [Request a Quote](#)

 [Datasheet Search](#)



Tel: +00 852-30501935

RFQ Email: [Info@DiGi-Electronics.com](mailto:Info@DiGi-Electronics.com)

DiGi is a global authorized distributor of electronic components.

## Purchase and inquiry

Manufacturer Product Number:

USB-A-S-RA

Series:

-

Connector Type:

USB-A (USB TYPE-A)

Gender:

Receptacle

Mounting Type:

Through Hole, Right Angle

Termination:

Solder

Ingress Protection:

-

Number of Ports:

1

Voltage - Rated:

30VAC

Shielding:

Shielded

Shell/Shielding Material:

Copper Alloy

Insulation Color:

Black

Manufacturer:

Adam Tech

Product Status:

Active

Number of Contacts:

4

Specifications:

USB 2.0

Mounting Feature:

Horizontal

Features:

Board Lock

Operating Temperature:

-20°C ~ 60°C

Current Rating (Amps):

1.5A

Mating Cycles:

-

Contact Finish:

Gold

Material Flammability Rating:

UL94 V-0

Base Product Number:

USB-A

## Environmental & Export classification

RoHS Status:

ROHS3 Compliant

REACH Status:

REACH Unaffected

HTSUS:

8536.69.4040

Moisture Sensitivity Level (MSL):

1 (Unlimited)

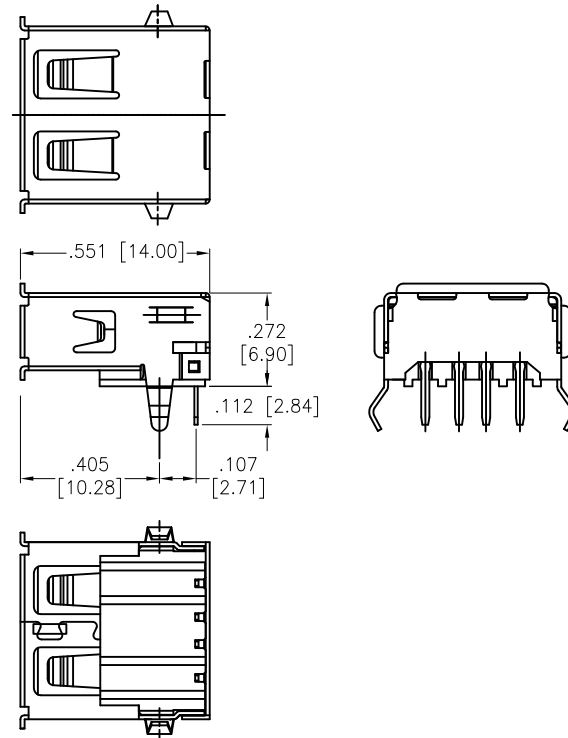
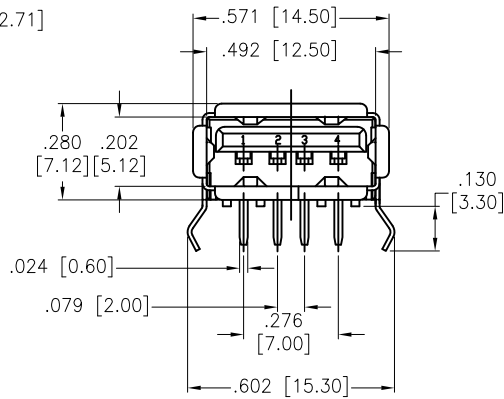
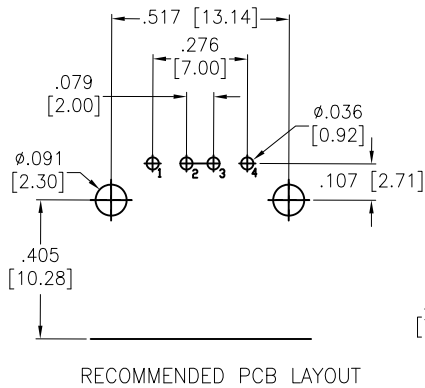
ECCN:

EAR99

USB-A-S-RA Adam Tech USB TYPE A, RIGHT ANGLE, THROUGH

APPROVED: \_\_\_\_\_  
 DATE: \_\_\_\_\_ TITLE: \_\_\_\_\_

Rev	AWO #	Description	Date	Appr
-		RELEASED	12/3/04	
A		RE-DESIGNED SHELL AND INSULATOR	1/06/06	
B		ADDED DIM.	01/23/13	
C		UPDATE SHAPE	9/30/14	AY/YC
D		UPDATE CURRENT RATING	12/22/15	AY/SL
E		UPDATE CURRENT RATING	3/22/16	AY/YC
F		UPDATE OPERATING TEMPERATURE	2/27/17	AY/YC
G		UPDATE DRAWING	9/29/21	WX/MC



**SPECIFICATIONS:**

Material:  
 Insulator: PA66, rated UL 94V-0  
 Insulator color: Black  
 Contacts: Brass  
 Shell: Brass, Nickel plated  
 Plating:

Gold flash over Nickel underplate on contact area,  
 Tin over Copper underplate on PCB tails

Electrical:  
 Voltage rating: 30 VAC  
 Current rating: 1.5 Amp @ 250V AC  
 Contact resistance: 30 mohms max.  
 Insulation resistance: 1000 Mohms min.  
 Dielectric withstanding voltage: 500 VAC  
 Temperature Rating:  
 Operating temperature: -40°C to +85°C

Environmental:  
 Lead free, RoHS compliant.



UNLESS OTHERWISE SPECIFIED ALL DIMENSIONS ARE INCHES [MM]. TOLERANCES: EXCEPT AS NOTED		
INCHES	HOLES	
.X ± .10	ØX	± .10
.XX ± .020	ØXX	± .015
.XXX ± .015	ØXXX	± .010
DRAWN	SS	10/4/04
CHECKED		
APPROVED		
THIS DRAWING CONTAINS INFORMATION THAT IS PROPRIETARY AND SHOULD NOT BE USED WITHOUT PRIOR WRITTEN PERMISSION FROM ADAM TECH		

	909 Rahway Avenue, Union, NJ 07083 Phone: 908-687-5000 Fax: 908-687-5710	
	TITLE: UNIVERSAL SERIAL BUS SINGLE PORT, RIGHT ANGLE, PCB	
SIZE: X	PART NO.: USB-A-S-RA	REV.: G
REF: S00005C	SCALE: NTS	SHEET 1 OF 1

6

5

4

3

2

1

6

5

4

3

2

1

## OUR CERTIFICATE

DiGi provide top-quality products and perfect service for customer worldwide through standardization, technological innovation and continuous improvement. DiGi through third-party certification, we stricly control the quality of products and services. Welcome your RFQ to

Email: [Info@DiGi-Electronics.com](mailto:Info@DiGi-Electronics.com)



Tel: +00 852-30501935

RFQ Email: [Info@DiGi-Electronics.com](mailto:Info@DiGi-Electronics.com)

DiGi is a global authorized distributor of electronic components.