

USB-A-S-RA-SMT-HD-T/R Datasheet



<https://www.DiGi-Electronics.com>

DiGi Electronics Part Number	USB-A-S-RA-SMT-HD-T/R-DG
Manufacturer	Adam Tech
Manufacturer Product Number	USB-A-S-RA-SMT-HD-T/R
Description	72 N HIGH RETENTION USB A FOR AU
Detailed Description	USB-A (USB TYPE-A) USB 2.0 Receptacle Connector 4 Position Surface Mount, Right Angle; Through Hole

This model USB-A-S-RA-SMT-HD-T/R is available at DiGi Electronics.

DiGi Electronics offers a global database of semiconductor and electronic component datasheets.

We welcome your inquiries regarding pricing, lead time, or other product-related questions.

 [Request a Quote](#)

 [Datasheet Search](#)



Tel: +00 852-30501935

RFQ Email: Info@DiGi-Electronics.com

DiGi is a global authorized distributor of electronic components.

Purchase and inquiry

Manufacturer Product Number:

USB-A-S-RA-SMT-HD-T/R

Series:

-

Connector Type:

USB-A (USB TYPE-A)

Gender:

Receptacle

Mounting Type:

Surface Mount, Right Angle; Through Hole

Termination:

Solder

Ingress Protection:

-

Number of Ports:

1

Voltage - Rated:

250VAC

Shielding:

Shielded

Shell/Shielding Material:

Steel

Insulation Color:

Natural

Manufacturer:

Adam Tech

Product Status:

Active

Number of Contacts:

4

Specifications:

USB 2.0

Mounting Feature:

Horizontal

Features:

Board Guide

Operating Temperature:

-

Current Rating (Amps):

2A

Mating Cycles:

5000

Contact Finish:

Gold

Material Flammability Rating:

UL94 V-0

Base Product Number:

USB-A

Environmental & Export classification

RoHS Status:

ROHS3 Compliant

REACH Status:

REACH Unaffected

HTSUS:

8536.69.4040

Moisture Sensitivity Level (MSL):

1 (Unlimited)

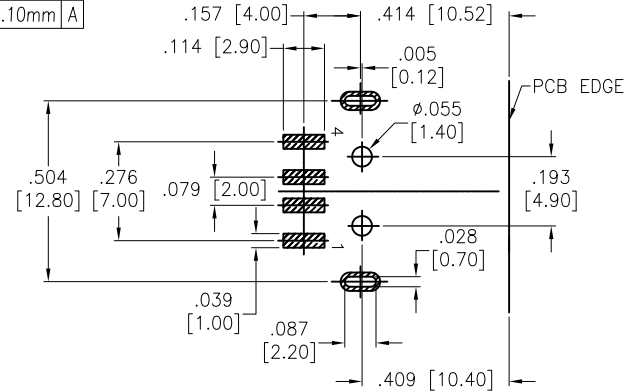
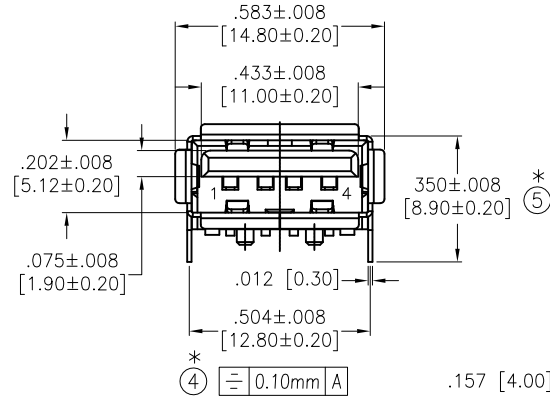
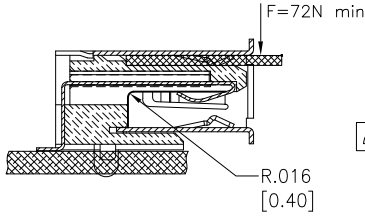
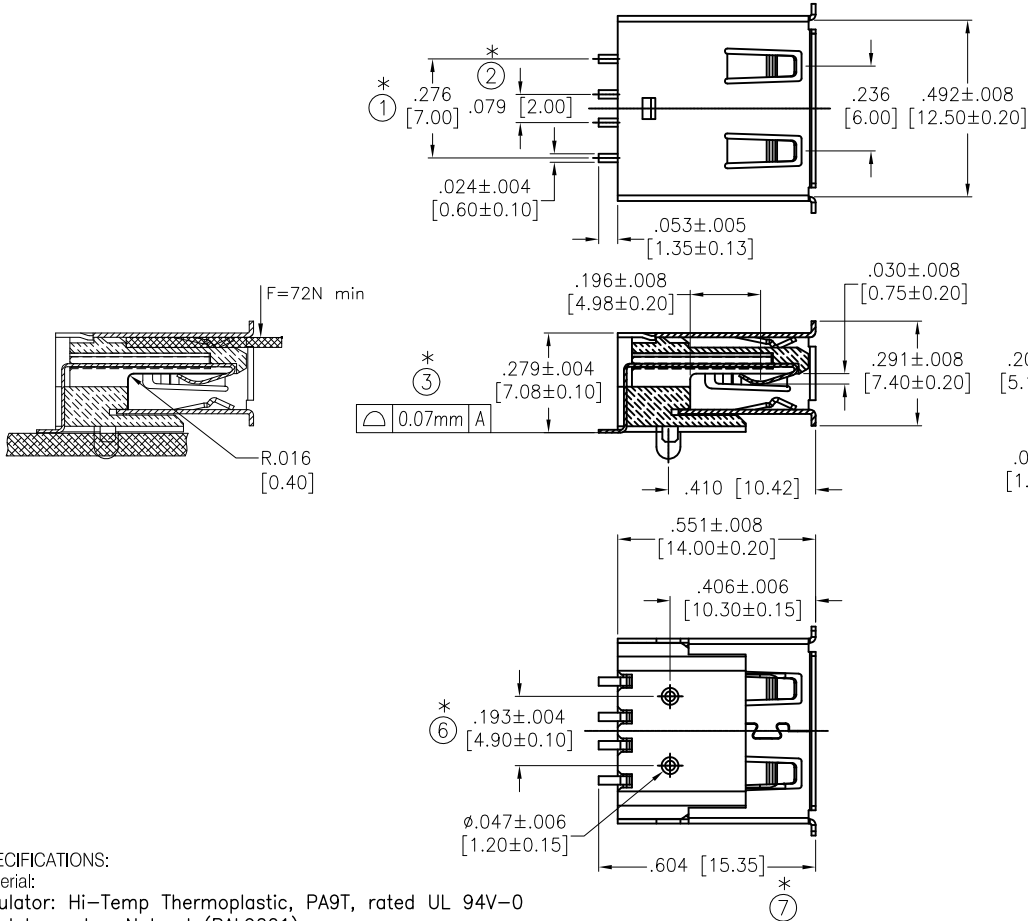
ECCN:

EAR99

USB-A-S-RA-SMT-HD-T/R Adam Tech 72 N HIGH RETENTION USB A FOR AU

APPROVED: _____
 DATE: _____ TITLE: _____

Rev	AWO #	Description	Date	Appr
-		RELEASED	2/8/18	



SPECIFICATIONS:
 Material:
 Insulator: Hi-Temp Thermoplastic, PA9T, rated UL 94V-0
 Insulator color: Natural (RAL9001)
 Contacts: Phosphor Bronze
 Shell: Steel, Nickel plated
 Support: Stainless Steel
 Plating:
 Gold flash over Nickel underplate on contact area,
 Tin over Nickel underplate on solder tails.
 Electrical:
 Current Rating: 2 A @ 250 VAC
 Contact resistance: 30 mohms max
 Insulation resistance: 1,000 Mohms min.
 Dielectric withstanding voltage: 500 VAC for 1 minute
 Mechanical:
 Insertion Force: 35 N max.
 Extraction Force: 10 N min.
 Durability: 5,000 Cycles
 Solderability: Terminal shall be immersed in flux before test,
 Then dip in molten solder for 5±5sec at 245±5°C
 Environmental:
 Lead free, RoHS compliant.



*** Key point
 PACKAGED ON TAPE & REEL

RECOMMENDED PCB LAYOUT

UNLESS OTHERWISE SPECIFIED ALL DIMENSIONS ARE INCHES [MM] TOLERANCES: EXCEPT AS NOTED			
MM HOLES			
.x	±0.30	.x	±0.30
.xx	±0.20	.xx	±0.20
.xxx	±0.10	.xxx	±0.10
ANG.	±1°		
APPROVALS		DATE	
DRAWN	AY	2/8/18	
CHECKED	ML	2/8/18	
APPROVED			

ADAM TECH INTERCONNECTS
 909 Rahway Avenue,
 Union, NJ 07083
 Phone: 908-687-5000
 Fax: 908-687-5710

TITLE UNIVERSAL SERIAL BUS 2.0, TYPE A, SINGLE PORT, RIGHT ANGLE, SMT			
SIZE X	PART NO. USB-A-S-RA-SMT-HD-T/R	REV. -	
REF: S00217T	SCALE: NTS	SHEET 1 OF 2	

6

5

4

3

2

1

6

5

4

3

2

1

OUR CERTIFICATE

DiGi provide top-quality products and perfect service for customer worldwide through standardization, technological innovation and continuous improvement. DiGi through third-party certification, we stricly control the quality of products and services. Welcome your RFQ to

Email: Info@DiGi-Electronics.com



Tel: +00 852-30501935

RFQ Email: Info@DiGi-Electronics.com

DiGi is a global authorized distributor of electronic components.