

USB-A-S-RU Datasheet

www.digi-electronics.com



<https://www.DiGi-Electronics.com>

DiGi Electronics Part Number	USB-A-S-RU-DG
Manufacturer	Adam Tech
Manufacturer Product Number	USB-A-S-RU
Description	USB TYPE A SINGLE R/A
Detailed Description	USB-A (USB TYPE-A) USB 2.0 Receptacle Connector 4 Position Through Hole, Right Angle

This model USB-A-S-RU is available at DiGi Electronics.

DiGi Electronics offers a global database of semiconductor and electronic component datasheets.

We welcome your inquiries regarding pricing, lead time, or other product-related questions.

 [Request a Quote](#)

 [Datasheet Search](#)



Tel: +00 852-30501935

RFQ Email: Info@DiGi-Electronics.com

DiGi is a global authorized distributor of electronic components.

Purchase and inquiry

Manufacturer Product Number:

USB-A-S-RU

Series:

-

Connector Type:

USB-A (USB TYPE-A)

Gender:

Receptacle

Mounting Type:

Through Hole, Right Angle

Termination:

Solder

Ingress Protection:

-

Number of Ports:

1

Voltage - Rated:

250VAC

Shielding:

Shielded

Shell/Shielding Material:

Brass, Steel (SPCC)

Insulation Color:

Black

Manufacturer:

Adam Tech

Product Status:

Active

Number of Contacts:

4

Specifications:

USB 2.0

Mounting Feature:

Vertical, Flag

Features:

Board Lock

Operating Temperature:

-55°C ~ 85°C

Current Rating (Amps):

1.5A

Mating Cycles:

-

Contact Finish:

Gold

Material Flammability Rating:

UL94 V-0

Base Product Number:

USB-A

Environmental & Export classification

RoHS Status:

ROHS3 Compliant

REACH Status:

REACH Unaffected

HTSUS:

8536.69.4040

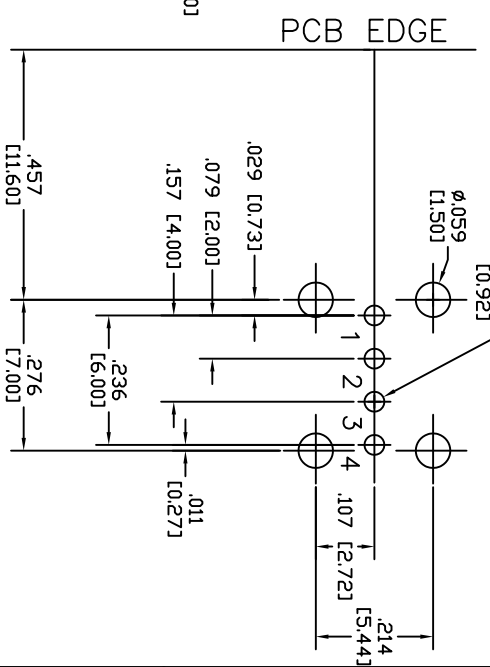
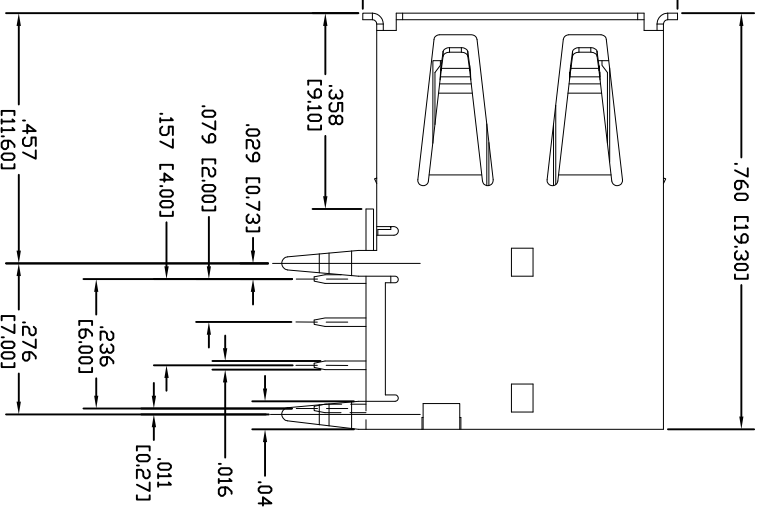
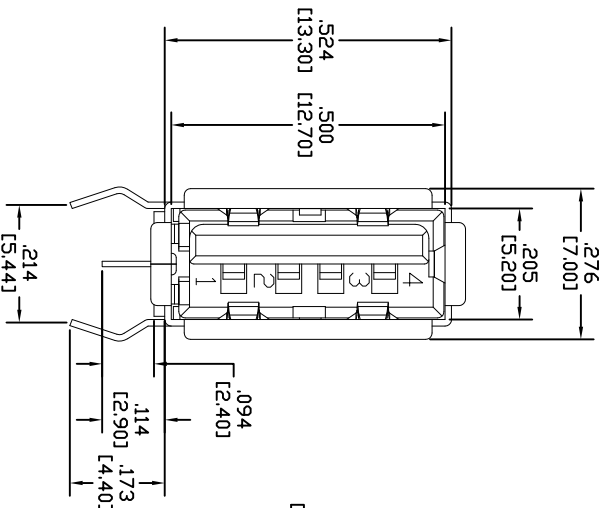
Moisture Sensitivity Level (MSL):

1 (Unlimited)

ECCN:

EAR99

APPROVED: _____
 DATE: _____ TITLE: _____



RECOMMENDED PCB LAYOUT
 (BOTTOM VIEW)

Rev	AWO #	Description	Date	Appr
-		RELEASED	6/16/05	
A		REDRAWN	10/27/11	
B		REVISED SHAPE & SPEC.	9/3/12	

SPECIFICATIONS:
 Material: Insulator: PBT, glass reinforced, rated UL 94V-0
 Insulator color: Black
 Contacts: Phosphor Bronze
 Shell: Brass, Nickel plated
 Rear Shell: SPCC, Nickel plated
 Plating:
 Gold flash over Nickel underplate on contact area,
 Tin over Copper underplate on PCB tails
 Electrical:
 Rated Voltage And Current: 1.5A At 250VAC Minimum.
 Contact resistance: 30 mohms max.
 Insulation resistance: 1000 Mohms min. @ 500 VDC
 Dielectric withstanding voltage: 750 VAC for 1 minute
 Temperature Rating:
 Operating temperature: -55°C to +85°C
Environmental:
 Lead free, RoHS compliant.

UNLESS OTHERWISE SPECIFIED ALL DIMENSIONS ARE INCHES [MM]	
TOLERANCES: EXCEPT AS NOTED	
INCHES	Holes
.XX ± .10	ØXX ± .10
.XX ± .020	ØXX ± .015
.XXX ± .015	ØXXX ± .010
APPROVALS	
DRAWN	SS
CHECKED	
APPROVED	
DATE	6/16/05

ADAM TECH
 909 Railway Avenue, Union, NJ 07083
 Phone: 908-687-5000 Fax: 908-687-5710

TITLE: USB, TYPE A, RIGHT ANGLE UPRIGHT THRU-HOLE, GOLD FLASH

SIZE: X PART NO.: USB-A-S-RU

REF: S00095T SCALE: NTS SHEET 1 OF 1

REV. B

OUR CERTIFICATE

DiGi provide top-quality products and perfect service for customer worldwide through standardization, technological innovation and continuous improvement. DiGi through third-party certification, we stricly control the quality of products and services. Welcome your RFQ to

Email: Info@DiGi-Electronics.com



Tel: +00 852-30501935

RFQ Email: Info@DiGi-Electronics.com

DiGi is a global authorized distributor of electronic components.