

3BCC-F Datasheet



<https://www.DiGi-Electronics.com>

DiGi Electronics Part Number	3BCC-F-DG
Manufacturer	Bivar Inc.
Manufacturer Product Number	3BCC-F
Description	LED GREEN/RED CLEAR 3MM T/H
Detailed Description	Green, Red LED Indication - Discrete 2.1V Green, 2V Red Radial



Tel: +00 852-30501935

RFQ Email: Info@DiGi-Electronics.com

DiGi is a global authorized distributor of electronic components.

Purchase and inquiry

Manufacturer Product Number:

3BCC-F

Series:

-

Color:

Green, Red

Lens Color:

Colorless

Millicandela Rating:

8mcd Green, 8mcd Red

Lens Size:

3mm, T-1

Current - Test:

20mA Green, 20mA Red

Mounting Type:

Through Hole

Wavelength - Peak:

568nm Green, 625nm Red

Package / Case:

Radial

Size / Dimension:

-

Base Product Number:

3BCC-F

Manufacturer:

Bivar Inc.

Product Status:

Active

Configuration:

Bidirectional

Lens Transparency:

Clear

Lens Style:

Round with Domed Top

Voltage - Forward (Vf) (Typ):

2.1V Green, 2V Red

Viewing Angle:

40°

Wavelength - Dominant:

-

Features:

-

Supplier Device Package:

3mm

Height (Max):

5.30mm

Environmental & Export classification

RoHS Status:

ROHS3 Compliant

REACH Status:

REACH Unaffected

HTSUS:

8541.41.0000

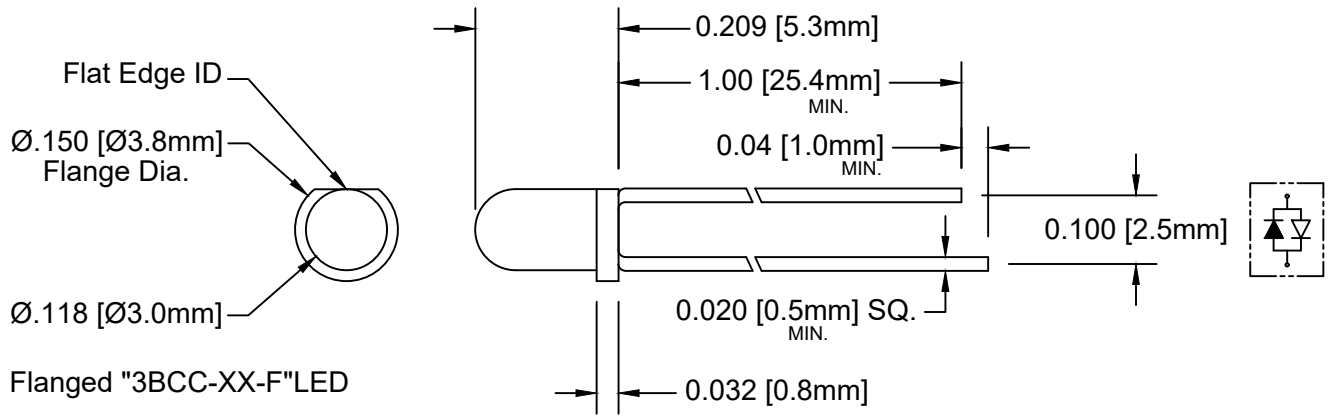
Moisture Sensitivity Level (MSL):

1 (Unlimited)

ECCN:

EAR99

REV.	DESCRIPTION	DATE	APPROVED
A	Engineering Release	01/15/09	T. Y.
B	Added R/Y & A/G LED Specs	05/06/10	T. Y.
C	Added LED Specs	02/10/15	J. C.
D	Updated per EOL	09/04/19	A. V.



Flat Edge ID
 Ø.150 [Ø3.8mm]
 Flange Dia.
 Ø.118 [Ø3.0mm]
 Flanged "3BCC-XX-F"LED

Recommended Mounting
 Hole Size = $\varnothing.032^{+.003}_{-.002}$

SHORT LEAD CATHODE	PART NO.	LONG LEAD CATHODE
RED	3BCC-X	GREEN

ABSOLUTE MAXIMUM RATINGS (Ta=25°C)


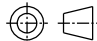
REVERSE VOLTAGE _____	5V
REVERSE CURRENT _____	100uA
OPERATING TEMPERATURE RANGE _____	-25°C - 85°C
STORAGE TEMPERATURE _____	-30°C - 100°C
LEAD SOLDERING TEMPERATURE(1/16" FROM BODY) _____	260°C FOR 5 SECONDS

STANDARD TOLERANCE (UNLESS OTHERWISE SPECIFIED)		 4 THOMAS, IRVINE, CA. 92618 TEL: (949) 951-8808 FAX: (949) 951-3974	
.X ± .1	ANGULAR X° ± 1°		
.XX ± .02		TITLE: T1 (3mm) BI-COLOR LED	
.XXX ± .010		PART NO: 3BCC-XX-X	
DESIGNED: Raffy Paje	DATE: 01/15/09	REVISION: D	
CHECKED: F. Jensen	DATE: 01/15/09	CAGE CODE : 32559	SHEET # 1 OF 2
CAD GENERATED DOCUMENT, DO NOT MEASURE DRAWING.			

	SEE SHEET #1		

LED Part No.	Chip			Lens Appearance	Absolute Max. Ratings				Electro-Optical Data @ 20mA			Viewing Angle 2 Θ½ (Deg)
	Material	Peak Wave Length λp(nm)	Emitted Color		Δλ (nm)	Pd (mW)	If (mA)	Peak If(mA)	Vf (V)		Iv (mcd)	
									Typ.	Max.	Typ.	
3BCC	GaAsP/GaP	625	RED	WATER CLEAR	35	80	30	150	2.0	2.8	10	40
	GaP/GaP	568	GREEN		30	80	30	150	2.1	2.8	10	40
3BCC-F	GaAsP/GaP	625	RED	WATER CLEAR	35	80	30	150	2.0	2.8	8	40
	GaP/GaP	568	GREEN		30	80	30	150	2.1	2.8	8	40

3BCC-F BIVAR INC LED GREEN\RED CLEAR 3MM T1H

STANDARD TOLERANCE (UNLESS OTHERWISE SPECIFIED)		 BIVAR [®] 4 THOMAS, IRVINE, CA. 92618 TEL: (949) 951-8808 FAX: (949) 951-3974	
DECIMALS	ANGULAR		
		TITLE:	
		T1 (3mm) BI-COLOR LED	
DESIGNED:	DATE:	PART NO:	REVISION:
Raffy Paje	01/15/09		3BCC-XX-X
CHECKED:	DATE:	CAGE CODE : 32559	SHEET # 2 OF 2
F. Jensen	01/15/09	CAD GENERATED DOCUMENT, DO NOT MEASURE DRAWING.	

OUR CERTIFICATE

DiGi provide top-quality products and perfect service for customer worldwide through standardization, technological innovation and continuous improvement. DiGi through third-party certification, we stricly control the quality of products and services. Welcome your RFQ to

Email: Info@DiGi-Electronics.com



Tel: +00 852-30501935

RFQ Email: Info@DiGi-Electronics.com

DiGi is a global authorized distributor of electronic components.