



LP-330 Datasheet

DiGi Electronics Part Number	LP-330-DG
Manufacturer	Bivar Inc.
Manufacturer Product Number	LP-330
Description	LIGHT PIPE RIG 3-LEVEL 3MM SMD

<https://www.DiGi-Electronics.com>

Detailed Description

Light Pipe 3 High Clear Rigid Board Mount, Press Fit, Right Angle

This model LP-330 is available at DiGi Electronics.

DiGi Electronics offers a global database of semiconductor and electronic component datasheets. We welcome your inquiries regarding pricing, lead time, or other product-related questions.

 [Request a Quote](#)

 [Datasheet Search](#)

Tel: +00 852-30501935

RFQ Email: Info@DiGi-Electronics.com

DiGi is a global authorized distributor of electronic components.

Purchase and inquiry

Manufacturer Product Number:

LP-330

Series:

LP

Color:

Clear

Type:

Rigid

Lens Style:

Rectangle with Flat Top

Manufacturer:

Bivar Inc.

Product Status:

Obsolete

Configuration:

3 High

Mounting Type:

Board Mount, Press Fit, Right Angle

Lens Size:

3.35mm x 2.54mm

Environmental & Export classification

Moisture Sensitivity Level (MSL):

1 (Unlimited)

HTSUS:

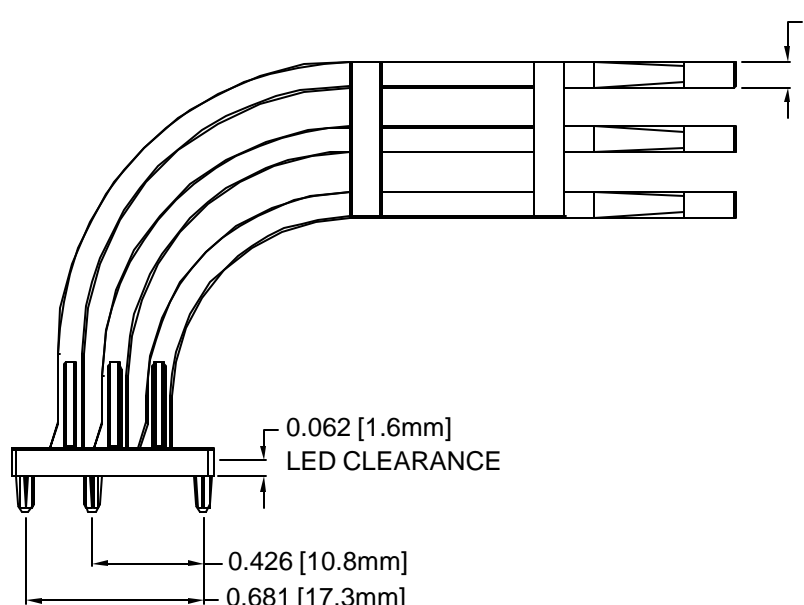
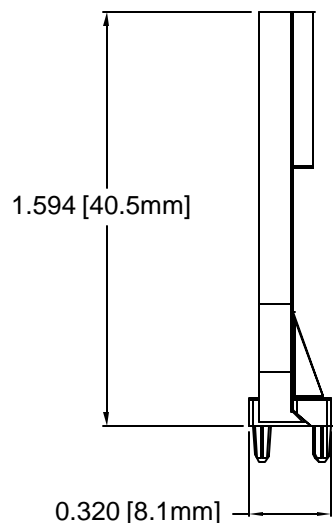
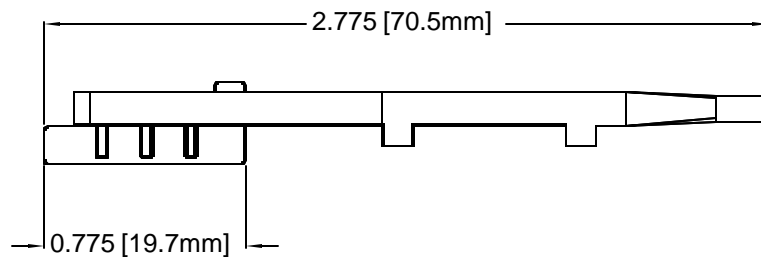
3926.90.9985

ECCN:

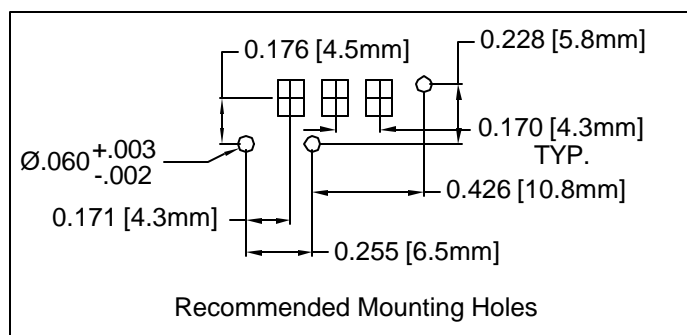
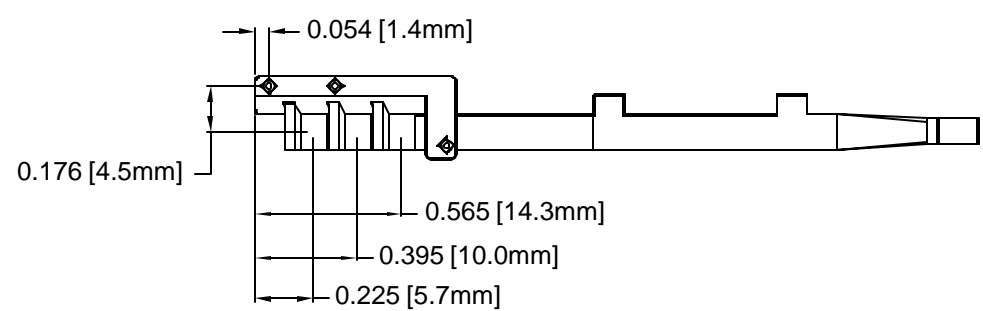
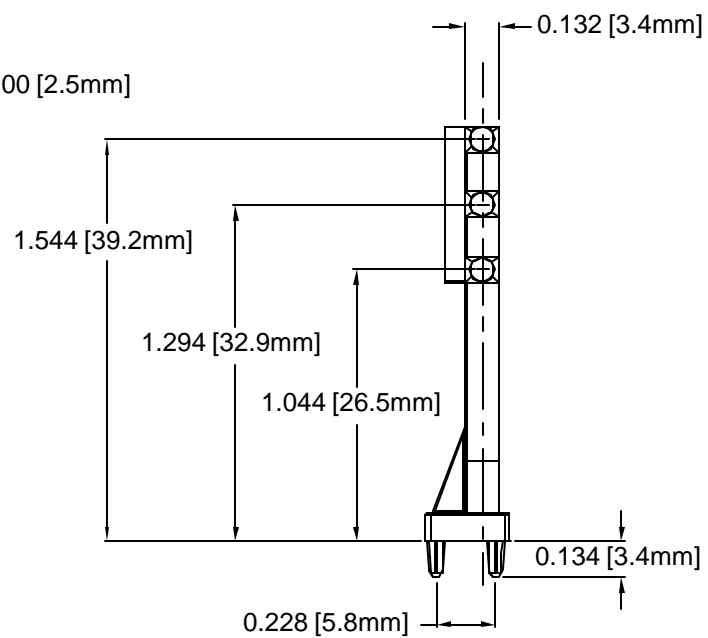
EAR99

LP-330 Bivar Inc. LIGHT PIPE RIG 3-LEVEL 3MM SMD

REV.	DESCRIPTION	DATE	APPROVED
G	Engineering Release.	09/01/04	M. C.



0.062 [1.6mm]
LED CLEARANCE



2. MATERIAL: POLYCARBONATE, 94V-0, CLEAR. BIVAR MATERIAL CODE 47-CR. SAM YANG CORPORATION POLYCARBONATE 3025N2 CLEAR.
1. GENERAL SPECIFICATIONS: BIVAR MOLDED COMPONENT SPECIFICATION BV00-E101.

STANDARD TOLERANCE (UNLESS OTHERWISE SPECIFIED)		BIVAR®	
DECIMALS	ANGULAR	4 THOMAS, IRVINE, CA. 92618	
.X ±.1	X° ± 1°	TEL: (949) 951-8808 FAX: (949) 951-3974	
.XX ±.01		TITLE: CUSTOM LIGHT PIPE, 3 HIGH	
.XXX ±.005		DESIGNED: Michael Chen	DATE: 04/07/04
		CHECKED: T. Yin	DATE: 04/07/04
		PART NO: LP-330	REVISION: G
		CAGE CODE : 32559	SHEET # 1 OF 1
		CAD GENERATED DOCUMENT. DO NOT MEASURE DRAWING.	

OUR CERTIFICATE

DiGi provide top-quality products and perfect service for customer worldwide through standardization, technological innovation and continuous improvement. DiGi through third-party certification, we stricy control the quality of products and services. Welcome your RFQ to

Email: Info@DiGi-Electronics.com



Tel: +00 852-30501935

RFQ Email: Info@DiGi-Electronics.com

DiGi is a global authorized distributor of electronic components.