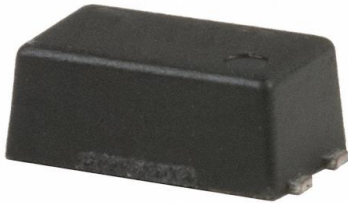


PS2915-1-F3-AX Datasheet

www.digi-electronics.com



<https://www.DiGi-Electronics.com>

| | |
|------------------------------|---|
| DiGi Electronics Part Number | PS2915-1-F3-AX-DG |
| Manufacturer | CEL |
| Manufacturer Product Number | PS2915-1-F3-AX |
| Description | OPTOISOLATOR 2.5KV TRANS 4SMD |
| Detailed Description | Optoisolator Transistor Output 2500Vrms 1 Channel 4-Mini-Flat |

This model PS2915-1-F3-AX is available at DiGi Electronics.

DiGi Electronics offers a global database of semiconductor and electronic component datasheets.

We welcome your inquiries regarding pricing, lead time, or other product-related questions.

 [Request a Quote](#)

 [Datasheet Search](#)



Tel: +00 852-30501935

RFQ Email: Info@DiGi-Electronics.com

DiGi is a global authorized distributor of electronic components.

Purchase and inquiry

Manufacturer Product Number:

PS2915-1-F3-AX

Series:

-

Number of Channels:

1

Current Transfer Ratio (Min):

100% @ 1mA

Turn On / Turn Off Time (Typ):

40µs, 120µs

Input Type:

AC, DC

Voltage - Output (Max):

40V

Voltage - Forward (Vf) (Typ):

1.1V

Vce Saturation (Max):

300mV

Mounting Type:

Surface Mount

Supplier Device Package:

4-Mini-Flat

Manufacturer:

CEL

Product Status:

Discontinued at Digi-Key

Voltage - Isolation:

2500Vrms

Current Transfer Ratio (Max):

400% @ 1mA

Rise / Fall Time (Typ):

5µs, 10µs

Output Type:

Transistor

Current - Output / Channel:

40mA

Current - DC Forward (If) (Max):

50 mA

Operating Temperature:

-55°C ~ 100°C

Package / Case:

4-SMD, Flat Leads

Environmental & Export classification

RoHS Status:

ROHS3 Compliant

REACH Status:

REACH Unaffected

HTSUS:

8541.49.8000

Moisture Sensitivity Level (MSL):

1 (Unlimited)

ECCN:

EAR99

PS2501A(L)-1 Datasheet

CEL

[View All Related Products](#) | [Download PDF Datasheet](#)

Datasheet

Products

OPTOIS
[PS2705A](#)
Availabl
Unit Price

OPTOIS
[PS2501L](#)
Availabl
Unit Price

OPTOIS
[PS2581A](#)
Availabl
Unit Price

OPTOIS
[PS2701-](#)
Availabl
Unit Price

OPTOIS
[PS2561-](#)
Availabl
Unit Price

OPTOIS
[PS2561-](#)
Availabl
Unit Price

OPTOIS
[PS2806-](#)
Availabl
Unit Price

SSR RE
[PS7206-](#)
Availabl
Unit Price

SSR RE
[PS7341-](#)
Availabl
Unit Price

OPTOIS
[PS9308L](#)
Availabl
Unit Price

OPTOIS
[PS2915-](#)
Availabl
Unit Price

OPTOIS
[PS9123-](#)
Availabl
Unit Price

OPTOIS
[PS2561L](#)
Availabl
Unit Price

OPTOIS
[PS2561L](#)
Availabl
Unit Price

OPTOIS
[PS2932-](#)
Availabl
Unit Price

OPTOIS
[PS9821-](#)
Availabl
Unit Price

OPTOIS
[PS2911-](#)

DM2P 2NART VAKS 5POTAOIOTOP S'2KX 1BAM2 P2MD
b2S9J2-T-E3-AX CEL OPTOISOTOP S'2KX 1BAM2 P2MD

OPTOCOUPLERS

Product Selection Guide



525012-1-1-E3-VX CEL OPTOCOUPLERS 2016

Available
Unit Price

OPTOCOUPLER
PS93061
Available
Unit Price

OPTOCOUPLER
PS93311
Available
Unit Price

OPTOCOUPLER
PS93031
Available
Unit Price

California Eastern Laboratories (CEL) is the exclusive sales and marketing partner in the Americas for Compound Semiconductor Devices from Renesas Electronics Corporation, formerly NEC Electronics Corporation. These products include RF components and RFICs, optocouplers, laser diodes and photo detectors.

Renesas Electronics optocouplers are used in a wide variety of markets including Consumer Electronics, Industrial, Power Supply, Test & Measurement, Datacomm, Lighting Control, Light Durable Goods and more. With over 50 years experience in customer support and fulfillment, CEL is ideally positioned to provide its customers with solutions tailored to meet their specific needs.

CEL maintains extensive inventories and provides engineering and applications assistance at its technical centers in Santa Clara, CA and Wauconda, IL. The company supports customers through sales offices, sales representatives and distributors in numerous locations.

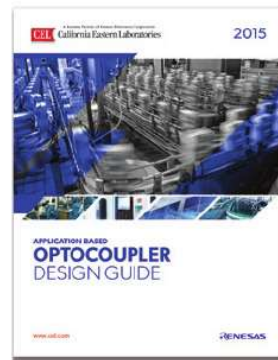


CEL Headquarters

4590 Patrick Henry Drive
Santa Clara, CA 95054
Tel: (408) 919-2500

www.cel.com

DM2P 2817 VK5.5 R0T0I20I20T0I20S 2'2K1 T8V8I2 42M0



Also available:

Our [Application Based Optocoupler Design Guide](#), the most comprehensive tool for selecting the right Optocoupler to use in our focus applications. We have made selecting the right optocoupler as easy as 1-2-3.

Download your copy at www.cel.com/Optocouplers

Contents

Optocouplers

| | |
|---|-------|
| Optocoupler Family Overview and Part Numbering system | 4 |
| Transistor Output, IC Output Motor Drive Overview | 5 |
| Recommended Optocouplers by Application | 6 |
| High Speed Digital Optocouplers | 8 |
| Digital Optocouplers for IGBT and MOSFET Motor Drive Applications | 10-11 |
| Digital High Functionality Optocouplers for Motor Drive Applications | 11-12 |
| Isolation Amplifiers, Digital | 12 |
| Isolation Amplifiers, Analog | 13-14 |
| High Speed Analog Optocouplers | |
| Single Transistor Optocouplers | |
| DC, general purpose | 14-15 |
| AC, general purpose | 15 |
| Single Transistor Optocouplers, DC & AC Characterized for Low Input Current (1mA) | 16-17 |
| Single Transistor Optocouplers, 0.4mm insulation | |
| DC, high isolation voltage | 18 |
| AC, high isolation voltage | 19 |
| Single Transistor Optocouplers, High Performance | |
| DC, devices | 19 |
| Single Transistor Optocouplers in Mini-Quad Packages | 20 |
| Darlington Transistor Optocouplers | 21 |
| Darlington Transistor Optocouplers, 0.4mm insulation | 22 |
| Darlington Transistor Optocouplers, High V _{CEO} , DC | 22 |
| Optocoupler Package Dimensions | 23-27 |
| Mounting Pad Dimensions for Optocouplers | 28 |

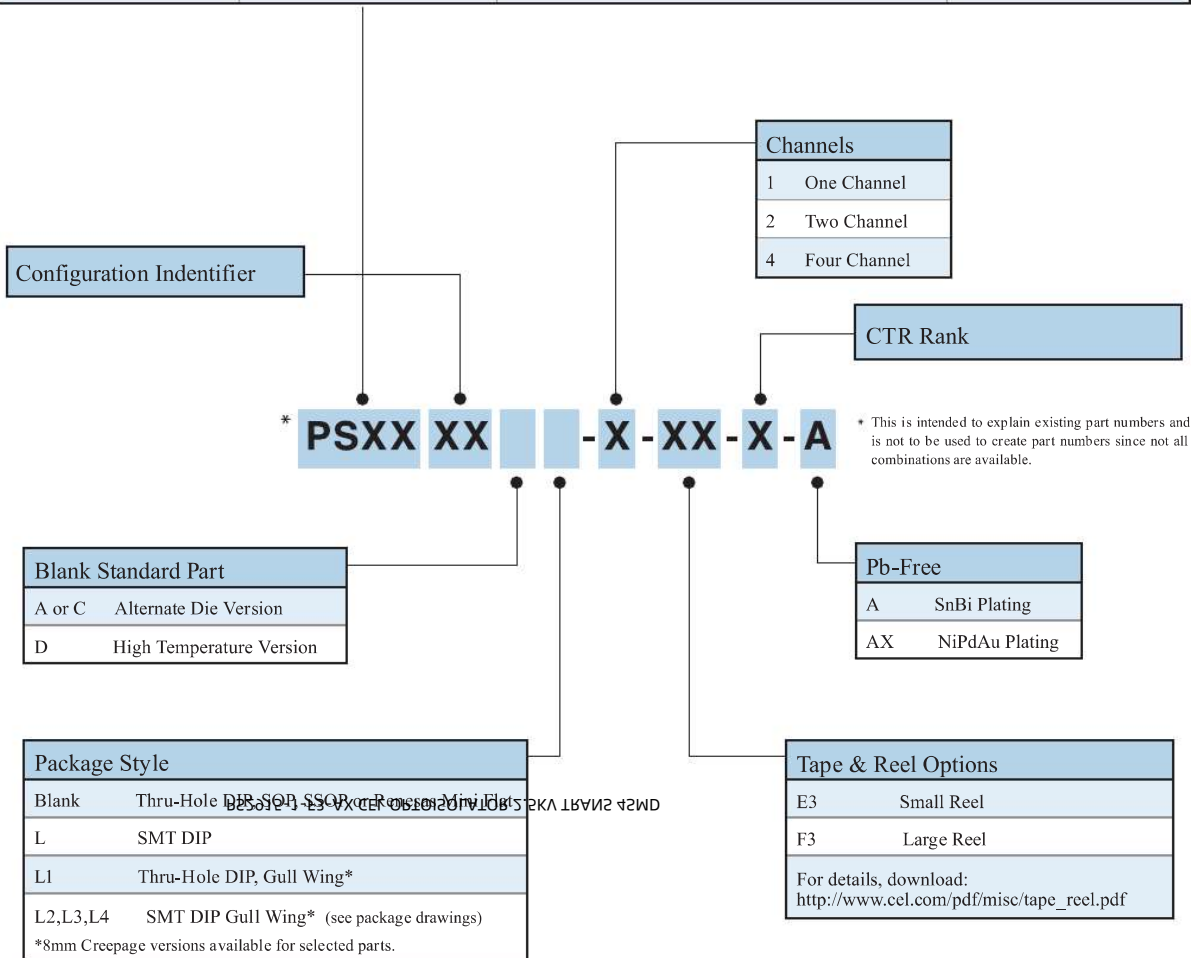
DM2P 2PART VXA-5-ROTAIOIOTPT 2KX TPAV2 42MD 925912-1-13-AX CEL OPTOIOIOTPT 2KX TPAV2 42MD

All information included in this document is current as of the printed date on back. Information is subject to change without notice. Please refer to datasheets or contact your local CEL representative.

For information visit www.cel.com/optocouplers

Optocoupler Families Overview, Package Styles and Part Numbering System

| Part Number | Description | Package Styles Available | Package Drawing Page |
|---------------|--------------------|---|----------------------|
| PS23XX Series | Transistor Output | 4 pin LSOP (2.54mm pin pitch) | 24 |
| PS25XX Series | Transistor Output | 4 and 16 pin DIP and DIP SMT | 23-25 |
| PS27XX Series | Transistor Output | 4 pin SOP (2.54mm pin pitch) | 25 |
| PS28XX Series | Transistor Output | 4,12 and 16 pin SSOP (1.27mm pin pitch) | 25-26 |
| PS29XX Series | Transistor Output | 4 pin Mini Flat (flat lead, 1.27mm pin pitch) | 26 |
| PS81XX Series | High Speed Analog | 5 pin SOP (1.27mm pin pitch) | 26 |
| PS83XX Series | High Speed Analog | 6 pin SDIP SMT | 27 |
| PS85XX Series | High Speed Analog | 8 pin DIP and SMT DIP | 24 |
| PS88XX Series | High Speed Analog | SO8 | 26 |
| PS91XX Series | High Speed Digital | 5 pin SOP (1.27mm pin pitch) | 26 |
| PS93XX Series | High Speed Digital | 6 pin SDIP SMT | 27 |
| PS94XX Series | High Speed Digital | 16 pin SSOP | 26 |
| PS95XX Series | High Speed Digital | 8 pin DIP and SMT DIP | 24 |
| PS98XX Series | High Speed Digital | SO8 | 26 |
| PS99XX Series | High Speed Digital | 8-pin LSDIP | 27 |



Transistor Output Series

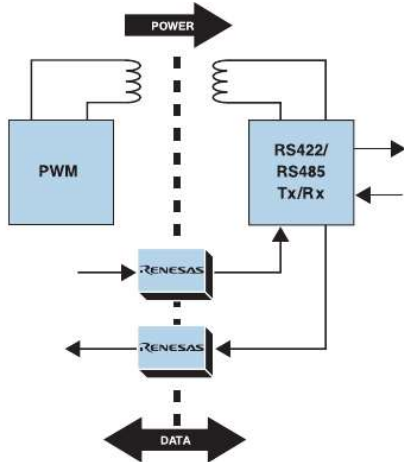
| Function | | 4-Pin DIP, 5KV iso | SOP, 3.75KV iso | Small SOP, 2.5 KV iso | 4-Pin flat lead, 2.5 KV iso | 12-Pin SSOP, 1.5 KV iso |
|----------|------------|-----------------------|------------------------------------|--------------------------|--------------------------------|----------------------------|
| Input | Output | | | | | |
| DC | Single | PS2501 | PS2381 (Long Creepage, 5KV iso) | PS2801C | PS2911 | PS2841 |
| DC | Single | PS2514 | PS2701A | PS2811 | PS2913 | - |
| DC | Single | PS2561x | PS2703 | PS2815 | - | - |
| DC | Single | - | PS2711 | PS2861B (3.75KV iso) | - | - |
| DC | Single | - | PS2761B | - | - | - |
| DC | Single | - | - | - | - | - |
| DC | Darlington | PS25x2 | PS2702 | PS2802 | - | - |
| DC | Darlington | PS253x | PS2733 (2.5KV iso) | PS2833 | - | - |
| AC | Single | PS25x5 | PS2705A | PS2805C | PS2915 | PS2845 |
| AC | Single | - | PS2715 | PS2815 | - | - |
| AC | Darlington | PS2506 | - | - | - | - |

IC Output

| Function | | | 8-Pin DIP 8mm Creepage, 5KV iso | 5-Pin SOP, 3.75 KV iso | 6-Pin SDIP, 8mm Creepage, 5KV iso | 8-Pin Small SOP, 2.5 KV iso | 8-Pin LSDIP, 7.5 KV iso |
|---------------------|--------|----------------------|---------------------------------------|---------------------------|---|-----------------------------------|----------------------------|
| Category | Speed | Output | | | | | |
| High-Speed | 1Mbps | Analog | PS8501 | PS8101 | PS8302L (TA = 110°C) | - | - |
| High-Speed | 1Mbps | Analog | PS8502 | - | - | - | - |
| High-Speed | 1Mbps | Digital | PS9513 | PS9113 | - | PS9822-1/-2 | - |
| High-Speed | 1Mbps | Digital | - | PS9122 | PS9313L (TA = 110°C) | - | - |
| High-Speed | 1Mbps | Digital | - | - | - | - | - |
| High-Speed | 10Mbps | Digital | PS9587 | PS9117A / PS9124 | PS9317 / PS9324L | PS9817A-1/-2 | PS9924 |
| High-Speed | 15Mbps | Digital | - | PS9121 | - | PS9821-1/-2 | - |
| High-Speed | 15Mbps | CMOS | - | PS9151 | PS9351L | PS9851-1/-2 | - |
| High-Speed | 15Mbps | Totem Pole Output | - | PS9123 | PS9303L (Active High) | - | - |
| Isolation Amplifier | | Analog | PS8551L4 / PS8551AL4 | - | - | - | - |
| | | Digital | PS9551AL4 | - | - | - | - |

Motor Drive

| Function | 8-Pin DIP, 8mm Creepage | 5-Pin SOP | 6-Pin SDIP, 8mm Creepage | 8-Pin SDIP, 8mm Creepage | 8-Pin LSDIP, 14.5mm Creepage | 16-Pin SSOP |
|-------------------------|----------------------------|--------------|--|-----------------------------|------------------------------------|------------------|
| Motor Drive (Inverter) | PS9513 | PS9113 | PS9303L (Active high) PS9309L (Active high) | - | - | - |
| | PS9512-1-1/2-2 | PS9112-1/2-2 | PS9303L (TA = 110°C) PS9313L (TA = 110°C) | - | - | - |
| Isolated Gate Driver | 0.6A | PS9506 | - | PS9306L/PS9307AL | - | - |
| | 2.0A | - | - | PS9308L | PS9332L | - |
| | 2.5A | PS9531 | - | PS9331L | - | PS9905 PS9402 |



RS422/485 Interface Isolation

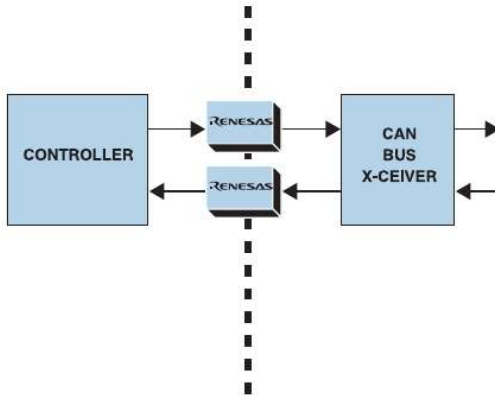
The RS485 serial communications standard is commonly used in data acquisition applications. The standard supports 32 drivers and receivers in a 2- or 4-wire differential configuration with cable lengths up to 4000 feet. Galvanic isolation becomes critical in the prevention of ground loops, electrical noise, and power spikes in widely distributed systems.

Application Requirements

- Wide range of data transfer rates: 1 Mbps to 15 Mbps
- High Common Mode Rejection Ratio (CMRR)
- Compact size
- Repeatability
- Reliability

Recommended Renesas Optocouplers

Tx/Rx Input/Output:
 PS8302L, PS9122, PS9313L, PS9822-1, 2 (1 Mbps)
 PS9124, PS9817A-1, 2, PS9324L, PS9587 (10 Mbps)
 PS9121, PS9821-1, 2, PS9151, PS9351L, PS9851-1,2 (15 Mbps)



CAN Interface Isolation

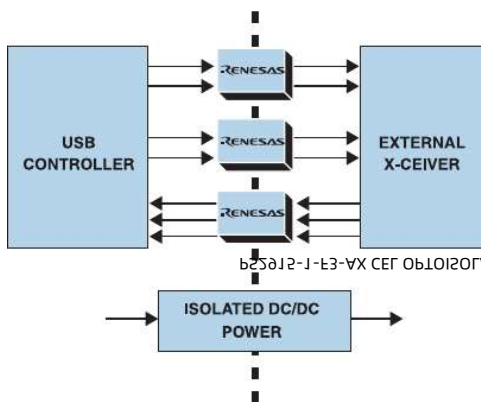
Controller Area Network (CAN) is a serial communications bus popular in industrial applications. Point-to-point and multi-point systems use it to coordinate and synchronize events. Isolation is required in these distributed systems to protect against over-voltage transients, prevent ground loops, and reduce signal distortion.

Application Requirements

- Accurate signal timing
- High Common Mode Rejection Ratio (CMRR)
- Compact size
- Repeatability
- Reliability

Recommended Renesas Optocouplers

PS9151, PS9123, PS9351L, PS9851-1, 2, PS9121



USB 2.0 Interface Isolation

USB is an inexpensive, high speed bus-integration interface used in computer-based systems. While the USB standard does not mandate isolation, designers recognize its importance in critical systems. Isolation protects USB interfaces from electrostatic discharge (ESD), ground loops, common mode noise, and EMI interference.

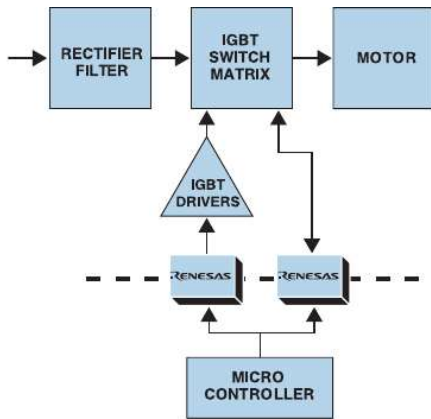
Application Requirements

- High CMRR
- Compact Size
- Low power consumption
- Data Transfer Rates: up to 15 Mbps
- Reliability

Recommended Renesas Optocouplers

PS9121, PS9123, PS9124, PS9151, PS9351L, PS9821-1, 2, PS9851-1, 2

Recommended Optocouplers by Application



Motor Drive Control Isolation

Motor controllers combine low level logic with high voltage, high power electronics like Intelligent Power Modules (IPM). Isolation enables communication between the controllers and the drivers at both the high and low side power modules. Faults and other events are typically transferred across this isolation barrier as well.

Application Requirements

- Fast response time: $<0.8\mu\text{s}$
- High Common Mode Rejection Ratio (CMRR): $>10\text{kV}/\mu\text{s}$
- Isolation: typically 2500V AC - 5000V AC
- Long creepage: up to 8mm

Recommended Renesas Optocouplers

PS9113, PS9513, PS9506, PS9402, PS9905, PS9303L, PS9306L, PS9307AL, PS9308L, PS9309L, PS9313L, PS9331L, PS9332L, PS9531

Power Supply Isolation

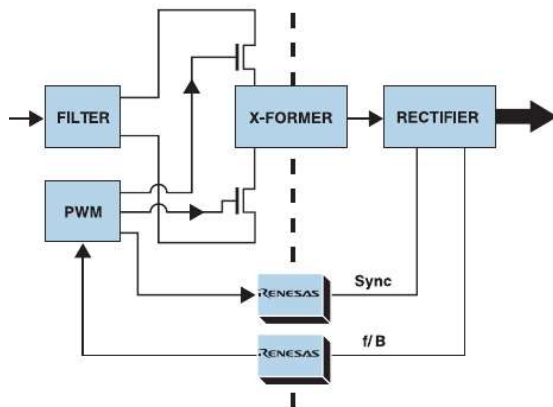
Power supplies are used in a wide variety of applications. Galvanic isolation is required for safety and to allow independent secondary side isolation. High speed optocouplers are used to transfer gate drive and synchronous rectification signals from the controller to the switching elements.

Application Requirements

- High temperature: up to 110°C
- Fast response time
- Low power consumption
- Compact size
- Repeatability

Recommended Renesas Optocouplers

Sync: PS8501, PS8101, PS8302L
 Feedback: PS2381, PS2561D, PS2761B, PS2861B (Transistor Optocouplers)



802.3af Power over Ethernet (PoE)

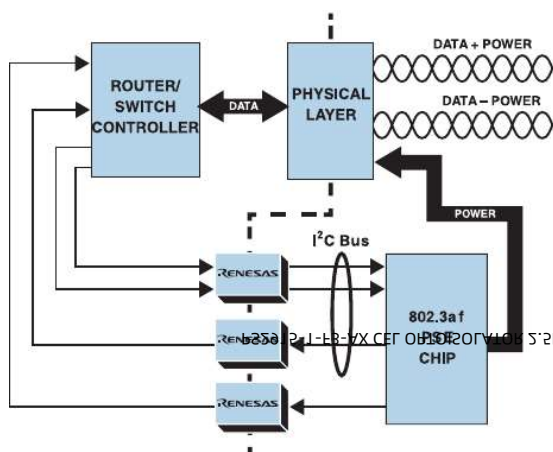
PoE offers a simple, reliable, cost effective solution for power transmission. It can deliver 13W of power over existing Ethernet cabling in applications ranging from industrial IT to home office networks. To ensure safety, the 802.3af standard requires 1500V AC of galvanic isolation between the main switch circuitry and the Media Dependent Interface (RJ-45 terminal). The communication from the switch to the PSE chip occurs over an isolated I²C bus.

Application Requirements

- 3.3V and 5V operation
- 1500VAC minimum isolation
- Small size
- Standard Mode (100 Kbps data rate)
- Fast Mode (400 Kbps data rate)
- Fast Mode + (1Mbps)
- High Speed (3.4 Mbps)

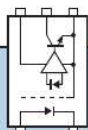
Recommended Renesas Optocouplers

PS9122 (Standard Mode)
 PS9121, PS9122 (Fast Mode)
 PS9121, PS9821-1, 2, PS9123 (High Speed)
 PS9122, PS9822 (Fast Mode +)
 PS2841-4, PS2911 (Transistor Optocouplers)



High Speed Digital Optocouplers

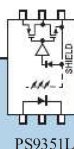
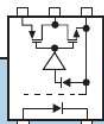
| Package | Part Number | Speed (Mbps) | Vcc Range (V) Recommended | Absolute Max Rating | | | Typical | | Safety Certification ¹ |
|---------|-------------|--------------|---------------------------|---------------------|---------|---------|-----------------------|-----------------------|-----------------------------------|
| | | | | BV (Vr.m.s.) | Io (mA) | If (mA) | t _{PHL} (ns) | t _{PLH} (ns) | |



Single channel, open collector output

Isolation for measurement equipment, plasma display panels and factory automation equipment

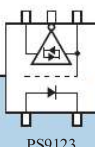
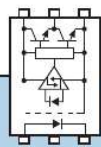
| | | | | | | | | | |
|-------------------|---------|----|----------------------------------|------|----|----|---------|---------|--------------|
| SOP5 | PS9117A | 10 | 4.5 to 5.5 | 3750 | 25 | 30 | 40 | 45 | UL, VDE, CSA |
| SOP5 | PS9121 | 15 | 2.7 to 3.6 | 3750 | 25 | 30 | 40 | 45 | UL, VDE, CSA |
| SOP5 ² | PS9122 | 1 | N = 2.7 to 3.6 L = 4.5 to 5.5 | 3750 | 20 | 25 | 500 max | 700 max | UL, VDE |
| SOP5 | PS9124 | 10 | 3.3 to 5.0 | 3750 | 25 | 25 | 40 | 45 | UL, CSA, VDE |



Single channel, CMOS output, -40 to 100°C operation

Isolation for measurement equipment, plasma display panels and factory automation equipment

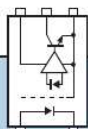
| | | | | | | | | | |
|--------------------|----------|----|------------|------|---|----|----|----|--------------|
| SOP5 | PS9151 | 15 | 4.5 to 5.5 | 3750 | 2 | 20 | 35 | 35 | UL, VDE |
| SDIP6 Gull Wing | PS9351L | 15 | 4.5 to 5.5 | 5000 | 2 | 25 | 30 | 35 | UL, CSA, VDE |
| SDIP6 8mm Creepage | PS9351L2 | | | | | | | | |



Single channel, totem pole output, -40 to 100°C operation

Isolation for IPM Drives, Inverters

| | | | | | | | | | |
|--------------------|----------|----|------------|------|----|----|-----|-----|--------------|
| SDIP6 Gull Wing | PS9303L | 1 | 4.5 to 20 | 5000 | 25 | 20 | 185 | 240 | UL, CSA, VDE |
| SDIP6 8mm Creepage | PS9303L2 | | | | | | | | |
| SOP5 | PS9123 | 15 | 4.5 to 5.5 | 3750 | 13 | 20 | 28 | 32 | UL, CSA, VDE |



Single channel, open collector output

Isolation for measurement equipment, plasma display panels and factory automation equipment

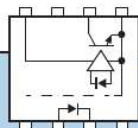
| | | | | | | | | | |
|--------------------|----------|----|------------|------|----|----|----|----|---------------------|
| SDIP6 Gull Wing | PS9317L | 10 | 4.5 to 5.5 | 5000 | 25 | 30 | 40 | 35 | UL, CSA, VDE |
| SDIP6 8mm Creepage | PS9317L2 | | | | | | | | |
| SDIP6 Gull Wing | PS9324L | 10 | 2.7 to 5.5 | 5000 | 25 | 25 | 40 | 50 | UL, CSA, SEMKO, VDE |
| SDIP6 8mm Creepage | PS9324L2 | | | | | | | | |

NOTES: 1. Other safety certifications available, see data sheet. 2. -40 to 100°C operation.

Continued next page

High Speed Digital Optocouplers Continued...

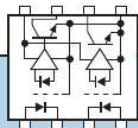
| Package | Part Number | Speed (Mbps) | Vcc Range (V) Recommended | Absolute Max Rating | | | Typical | | Safety Certification ¹ |
|---------|-------------|--------------|---------------------------|---------------------|---------|---------|-----------------------|-----------------------|-----------------------------------|
| | | | | BV (V.r.m.s.) | Io (mA) | If (mA) | t _{PHL} (ns) | t _{PLH} (ns) | |



Single channel, open collector output

Isolation for measurement equipment, plasma display panels and factory automation equipment

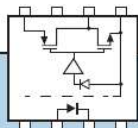
| | | | | | | | | | |
|-----------------------------|-----------|----|----------------------------------|------|----|----|---------|---------|---|
| DIP8 Thru-Hole | PS9587 | 10 | 4.5 to 5.5 | 5000 | 25 | 30 | 35 | 45 | UL, VDE, CSA, BSI, SEMKO, NEMKO, DEMKO, FIMKO |
| DIP8 Thru-Hole 8mm Creepage | PS9587L1 | | | | | | | | |
| SMT DIP8 8mm Creepage | PS9587L2 | | | | | | | | |
| SMT DIP8 Gull Wing | PS9587L3 | | | | | | | | |
| SO8 | PS9817A-1 | 10 | 4.5 to 5.5 | 2500 | 25 | 20 | 40 | 45 | UL, VDE |
| SO8 | PS9821-1 | 15 | 2.7 to 3.6 | 2500 | 25 | 20 | 45 | 50 | UL, VDE |
| SO8 | PS9822-1 | 1 | N = 2.7 to 3.6 L = 4.5 to 5.5 | 2500 | 25 | 20 | 500 max | 700 max | UL, VDE |
| 8pin LSDIP | PS9924 | 10 | 2.7 to 5.5 | 7500 | 25 | 25 | 45 | 40 | UL, CSA, SEMKO, VDE |



Two channel, open collector output

Isolation for measurement equipment, plasma display panels and factory automation equipment

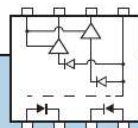
| | | | | | | | | | |
|-----|-----------|----|----------------------------------|------|----|----|---------|---------|---------|
| SO8 | PS9817A-2 | 10 | 4.5 to 5.5 | 2500 | 25 | 15 | 40 | 45 | UL, VDE |
| SO8 | PS9821-2 | 15 | 2.7 to 3.6 | 2500 | 25 | 15 | 45 | 50 | UL, VDE |
| SO8 | PS9822-2 | 1 | N = 2.7 to 3.6 L = 4.5 to 5.5 | 2500 | 25 | 15 | 500 max | 700 max | UL, VDE |



Single channel, CMOS output

Isolation for measurement equipment, plasma display panels and factory automation equipment

| | | | | | | | | | |
|-----|----------|----|------------|------|---|----|----|----|---------|
| SO8 | PS9851-1 | 15 | 4.5 to 5.5 | 2500 | 2 | 20 | 34 | 37 | UL, VDE |
|-----|----------|----|------------|------|---|----|----|----|---------|



Two channel, CMOS output

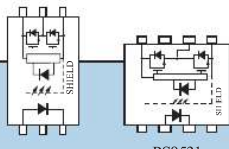
Isolation for measurement equipment, plasma display panels and factory automation equipment

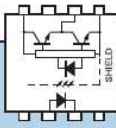
| | | | | | | | | | |
|-----|----------|----|------------|------|---|----|----|----|---------|
| SO8 | PS9851-2 | 15 | 4.5 to 5.5 | 2500 | 2 | 20 | 34 | 37 | UL, VDE |
|-----|----------|----|------------|------|---|----|----|----|---------|

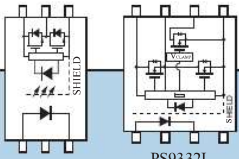
NOTES: 1. Other safety certifications available, see datasheet.

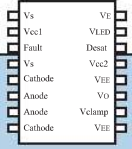
Digital Optocouplers for IGBT and MOSFET Motor Drive Applications

| Package | Part Number | Vcc Range (V) | t _{PHL} - t _{PLH} (ns) max | Typical | | BV (V.r.m.s.) | Safety Certification |
|---------|-------------|---------------|---|--------------------------|--------------------------|------------------|-------------------------|
| | | | | t _{PHL} (ns) | t _{PLH} (ns) | | |

| | | | | | | | |
|---|----------|--|-----|-----|----|------|---------------------|
|  | | Single channel for MOSFET, IGBT driver isolation Features - 2.5A Output Current, High CMR (25K-50K V/us), UVLO (Under Voltage Lockout) protection with hysteresis | | | | | |
| SDIP6 Gull Wing | PS9331L | 15 to 30 | 90 | 105 | 80 | 5000 | UL, CSA, SEMKO, VDE |
| SDIP6 Gull Wing 8mm Creepage | PS9331L2 | | | | | | |
| DIP8 Thru-Hole | PS9531 | 15 to 30 | 90 | 100 | 80 | 5000 | UL, VDE, CSA, SEMKO |
| DIP8 Thru-Hole 8mm Creepage | PS9531L1 | | | | | | |
| SMT DIP8 Gull Wing 8mm Creepage | PS9531L2 | | | | | | |
| SMT DIP8 Gull Wing | PS9531L3 | | | | | | |
| 8-Pin LSDIP Gull Wing | PS9905 | 15 to 30 | 100 | 100 | 90 | 7500 | UL, CSA, SEMKO, VDE |

| | | | | | | | |
|---|----------|---|-----|-----|-----|------|--------------|
|  | | Single channel for MOSFET, IGBT driver isolation Features - 0.6A Output Current, High CMR(25kV/us) | | | | | |
| DIP8 Thru-Hole | PS9506 | 10 to 30 | 300 | 180 | 180 | 5000 | UL, VDE, CSA |
| DIP8 Thru-Hole 8mm Creepage | PS9506L1 | | | | | | |
| SMT DIP8 Gull Wing 8mm Creepage | PS9506L2 | | | | | | |
| SMT DIP8 Gull Wing | PS9506L3 | | | | | | |

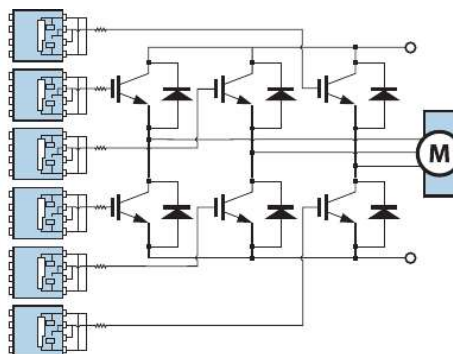
| | | | | | | | |
|---|----------|--|-----|-----|----|------|---------------------|
|  | | Single channel for MOSFET, IGBT driver isolation, Industrial inverter, induction heating Features - 2.0A Output Current, High CMR (25K-50kV/us), UVLO (Under Voltage Lock Out) protection with hysteresis | | | | | |
| SDIP6 Gull Wing | PS9308L | 15 to 30 | 100 | 100 | 80 | 5000 | UL, CSA, SEMKO, VDE |
| SDIP6 Gull Wing 8mm Creepage | PS9308L2 | | | | | | |
| SDIP8 Gull Wing | PS9332L | 15 to 30 | 90 | 110 | 75 | 5000 | UL, CSA, SEMKO, VDE |
| SDIP8 Gull Wing 8mm Creepage | PS9332L2 | | | | | | |

| | | | | | | | |
|---|--------|--|-----|-----|-----|------|--------------|
|  | | Single channel for MOSFET, IGBT driver isolation, Industrial inverter, induction heating Features - 2.5A Output Current, High CMR(25kV/us), UVLO (Under Voltage Lock Out) protection with hysteresis, desaturation detection, Miller clamping | | | | | |
| 16 pin SSOP | PS9402 | 15 to 30 | 100 | 200 | 200 | 5000 | UL, CSA, VDE |

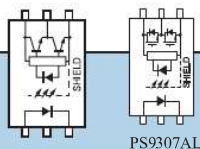
Continued next page

Motor Drive Isolation

Motor drive applications demand more voltage and current than most ICs and microcontrollers can provide. A variety of devices have been developed to address the problem such as IGBTs, MOSFETs and Intelligent Power Modules (IPMs). These high power drivers use optocouplers to isolate other ICs and components from the power spikes and electrical noise that their motors generate.

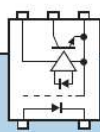


| Package | Part Number | Vcc Range (V) | t _{PHL} - t _{PLH} (ns) max | Typical | | BV (V.r.m.s.) | Safety Certification |
|---------|-------------|---------------|--|-----------------------|-----------------------|---------------|----------------------|
| | | | | t _{PHL} (ns) | t _{PLH} (ns) | | |

| | | | | | | | |
|---|-----------|--|-----|-----|-----|------|---------------------|
|  | | Single channel for MOSFET, IGBT driver isolation Features - 0.6A Output Current, High CMR | | | | | |
| 6 pin SDIP Gull Wing | PS9306L | 10 to 30 | 300 | 180 | 180 | 5000 | UL, VDE, CSA, SEMKO |
| 6 pin SDIP Gull Wing 8 mm Creepage | PS9306L2 | | | | | | |
| 6 pin SDIP Gull Wing | PS9307AL | 10 to 30 | 80 | 100 | 100 | 5000 | UL, CSA, VDE |
| 6 pin SDIP Gull Wing 8mm Creepage | PS9307AL2 | | | | | | |

Digital High Functionality Optocouplers for Motor Drive Applications

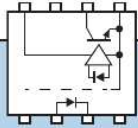
| Package | Part Number | Vcc Range (V) Recommended | Absolute Max Rating | | | Typical | | Safety Certification ¹ |
|---------|-------------|---------------------------|---------------------|---------------------|---------------------|-----------------------|-----------------------|-----------------------------------|
| | | | BV (V.r.m.s.) | I _O (mA) | I _F (mA) | t _{PHL} (ns) | t _{PLH} (ns) | |

| | | | | | | | | |
|---|----------|---|------|----|----|-----|-----|--------------|
|  | | Single channel, open collector output, high temp operation Isolation for intelligent power module drivers, inverters | | | | | | |
| SOP5 ² | PS9113 | 4.5 to 20 | 3750 | 15 | 25 | 250 | 520 | UL, VDE, CSA |
| SDIP6 Gull Wing ² | PS9313L | | | | | | | |
| SDIP6 Gull Wing 8mm Creepage ³ | PS9313L2 | | | | | | | |

Continued next page

Digital High Functionality Optocouplers for Motor Drive Applications Continued...

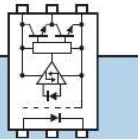
| Package | Part Number | V _{CC} Range (V) Recommended | Absolute Max Rating | | | Typical | | Safety Certification ¹ |
|---------|-------------|--|---------------------|------------------------|------------------------|--------------------------|--------------------------|-----------------------------------|
| | | | BV (Vr.m.s.) | I _O (mA) | I _F (mA) | t _{PHL} (ns) | t _{PLH} (ns) | |



Single channel, open collector output, -40 to 100°C operation

Isolation for intelligent power module drivers, inverters

| | | | | | | | | |
|---------------------------------|----------|-----------|------|----|----|-----|-----|---|
| DIP8 Thru-Hole | PS9513 | 4.5 to 20 | 5000 | 15 | 25 | 250 | 520 | UL, VDE, CSA, BSI, SEMKO, NEMKO, DEMKO, FIMKO |
| DIP8 Thru-Hole 8mm Creepage | PS9513L1 | | | | | | | |
| SMT DIP8 Gull Wing 8mm Creepage | PS9513L2 | | | | | | | |
| SMT DIP8 Gull Wing | PS9513L3 | | | | | | | |



PS9309L

Single channel, totem pole output

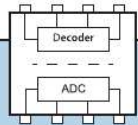
Isolation for intelligent power module drivers, inverters

| | | | | | | | | |
|-------------------------------|----------|-----------|------|----|----|-----|-----|---------------------|
| SMT DIP6 Gull Wing | PS9303L | 4.5 to 20 | 5000 | 25 | 20 | 185 | 240 | UL, CSA, VDE |
| SDIP 6 Gull Wing 8mm Creepage | PS9303L2 | | | | | | | |
| SDID 6 Gull Wing | PS9309L | 4.5 to 20 | 5000 | 25 | 20 | 124 | 113 | UL, CSA, SEMKO, VDE |
| SDID 6 Gull Wing 8mm Creepage | PS9309L2 | | | | | | | |

NOTES: 1. Other safety certifications available, see data sheet. 2. -40 to 100°C operation. 3. -40 to 110°C operation.

Isolation Amplifier – Digital

| Package | Part Number | V _{CC} Range (V) Recommended | Input Supply Current I _{DD1} (mA max) | Output Supply Current I _{DD2} (mA max) | Resolution (ENOB) | Output Clock Frequency (MHz typ) | BV (Vr.m.s.) | Safety Certification ¹ |
|---------|-------------|--|---|--|----------------------|-------------------------------------|-----------------|-----------------------------------|
|---------|-------------|--|---|--|----------------------|-------------------------------------|-----------------|-----------------------------------|



Digital isolation amplifier for motor drive applications

Isolation for intelligent power module drivers, inverters

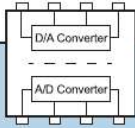
| | | | | | | | | |
|---------------------------------|-----------|------------|----|----|----|----|------|---------------------|
| SMT DIP8 Gull Wing 8mm Creepage | PS9551AL4 | 4.5 to 5.5 | 15 | 15 | 12 | 10 | 5000 | UL, CSA, VDE, SEMKO |
|---------------------------------|-----------|------------|----|----|----|----|------|---------------------|

NOTES: 1. Other safety certifications available, see data sheet.

25512-1-E3-VX CEF OPTOISOLATOR 5.2K 18V 2 42M D

Isolation Amplifier – Analog

| Package | Part Number | Absolute Max Rating | | Input Supply Current I_{DD1} (mA max) | Output Supply Current I_{DD2} (mA max) | Output Bandwidth (kHz typ) | Gain V/V (typ) | Gain Error (%) | Safety Certification ¹ |
|---------|-------------|---------------------|---------|--|---|-------------------------------|-------------------|----------------|-----------------------------------|
| | | BV (Vr.m.s.) | Vcc (V) | | | | | | |



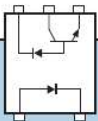
Analog isolation amplifier for motor drive applications, -40 to 100°C operation

| | | | | | | | | | |
|------------------------------------|-----------|------|-----|----|----|-----|---|-----|-----------------------------|
| SMT DIP8 Gull Wing 8mm Creepage | PS8551L4 | 5000 | 5.5 | 20 | 16 | 100 | 8 | ±3% | UL, CSA, BSI, VDE, SEMKO |
| SMT DIP8 Gull Wing 8mm Creepage | PS8551AL4 | 5000 | 5.5 | 16 | 16 | 100 | 8 | ±1% | UL, CSA, VDE, SEMKO |

NOTES: 1. Other safety certifications available, see data sheet.

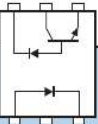
High Speed Analog Optocouplers

| Package | Part Number | Speed (Mbps) | Absolute Max Ratings | | | | Typical | | CTR ¹ (N = Full range) Rank (%) | Safety Certification ² |
|---------|-------------|--------------|----------------------|---------|---------|---------|-----------------------|-----------------------|--|-----------------------------------|
| | | | BV (Vr.m.s.) | Vcc (V) | IC (mA) | IF (mA) | t _{PHL} (ns) | t _{PLH} (ns) | | |



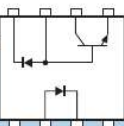
Single channel for power supplies, inverters, computers, peripherals, -55 to 100°C operation

| | | | | | | | | | | |
|------|--------|---|------|----|---|----|-----|-----|------------------------------|--------------|
| SOP5 | PS8101 | 1 | 3750 | 35 | 8 | 25 | 500 | 600 | N = 15 to 35 K = 20 to 35 | UL, CSA, VDE |
|------|--------|---|------|----|---|----|-----|-----|------------------------------|--------------|



Single channel for power supplies, inverters, computers, peripherals, -55 to 110°C operation

| | | | | | | | | | | |
|----------------------------------|----------|---|------|----|---|----|-----|-----|--------|-----------------------|
| SDIP6 SMT Gull Wing | PS8302L | 1 | 5000 | 35 | 8 | 25 | 300 | 330 | 15 min | UL, VDE, CSA SEMKO |
| SDIP6 SMT Gull Wing 8mm Creepage | PS8302L2 | | | | | | | | | |



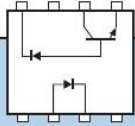
Single channel for measurement and control equipment, modems, inverters, -55 to 100°C operation

| | | | | | | | | | | |
|---------------------------------|----------|---|------|----|---|----|-----|-----|--------|-----------------------------|
| DIP8 Thru-Hole | PS8501 | 1 | 5000 | 35 | 8 | 25 | 220 | 350 | 15 min | UL, CSA, BSI, VDE, SEMKO |
| DIP8 Thru-Hole 8mm Creepage | PS8501L1 | | | | | | | | | |
| SMT DIP8 Gull Wing 8mm Creepage | PS8501L2 | | | | | | | | | |
| SMT DIP8 Gull Wing | PS8501L3 | | | | | | | | | |

Continued next page

High Speed Analog Optocouplers Continued...

| Package | Part Number | Speed (Mbps) | Absolute Max Ratings | | | | Typical | | CTR ¹ (N = Full range) Rank (%) | Safety Certification ² |
|---------|-------------|--------------|----------------------|------------------------|------------|------------|--------------------------|--------------------------|--|-----------------------------------|
| | | | BV (Vr.m.s.) | V _{CC} (V) | IC (mA) | IF (mA) | t _{PHL} (ns) | t _{PLH} (ns) | | |

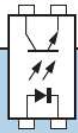


Single channel for measurement and control equipment, modems, inverters, -55 to 100°C operation

| | | | | | | | | | | |
|---------------------------------|----------|---|------|----|---|----|-----|-----|--------|-----------------------------|
| DIP8 Thru-Hole | PS8502 | 1 | 5000 | 35 | 8 | 25 | 220 | 350 | 15 min | UL, CSA, BSI, VDE, SEMKO |
| DIP8 Thru-Hole 8mm Creepage | PS8502L1 | | | | | | | | | |
| SMT DIP8 Gull Wing 8mm Creepage | PS8502L2 | | | | | | | | | |
| SMT DIP8 Gull Wing | PS8502L3 | | | | | | | | | |

Single Transistor, General Purpose DC Optocouplers

| Package | Part Number | Absolute Max Ratings | | | | CTR (N = Full range) Rank (%) | Safety Certification |
|---------|-------------|----------------------|-------------------------|------------|------------|-------------------------------------|----------------------|
| | | BV (Vr.m.s.) | V _{CEO} (V) | IF (mA) | IC (mA) | | |



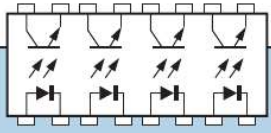
Single channel DC device for low-speed logic applications

CTR measured @ V_{CE} = 5V, I_F = 5mA


| | | | | | | | |
|---|-----------|------|----|----|----|---|-------------------|
| SMT DIP4 | PS2501AL | 5000 | 70 | 30 | 30 | N = 50 to 400 H = 80 to 160 W = 130 to 260 Q = 100 to 200 L = 200 to 400 | UL |
| SMT DIP4 | PS2501L-1 | 5000 | 80 | 80 | 50 | N = 80 to 600 K = 300 to 600 L = 200 to 400 M = 80 to 240 D = 100 to 300 H = 80 to 160 W = 130 to 260 Q = 100 to 200 | UL |
| SOP4 For high temp applications see PS2761B, page 18 | PS2701A | 3750 | 70 | 30 | 30 | N = 50 to 300 P = 150 to 300 L = 100 to 300 M = 50 to 150 | UL, CSA, BSI, VDE |
| SSOP4 For high temp applications see PS2861B, page 18 | PS2801C-1 | 2500 | 80 | 30 | 30 | N = 50 to 400 L = 100 to 300 M = 100 to 400 P = 150 to 300 | UL, VDE, CSA, BSI |

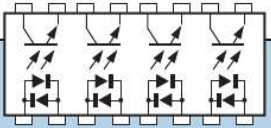
Continued next page

Single Transistor, General Purpose DC Optocouplers Continued...

| Package | Part Number | Absolute Max Ratings | | | | CTR (N = Full range) Rank (%) | Safety Certification |
|---|-------------|---|-------------|---------|------------|-------------------------------------|-------------------------|
| | | BV (Vr.m.s.) | VCEO (V) | IF (mA) | IC (mA) | | |
|  | | Four channel DC device for low-speed logic applications | | | | CTR measured @ VCE = 5V, IF = 5mA | |
| SSOP16 | PS2801C-4 | 2500 | 80 | 30 | 30 | N = 50 to 400 M = 100 to 400 | UL, CSA, BSI, VDE |

Single Transistor, General Purpose AC Optocouplers

| Package | Part Number | Absolute Max Ratings | | | | CTR (N = Full range) Rank (%) | Safety Certification |
|---|-------------|---|-------------|---------|------------|--|-------------------------|
| | | BV (Vr.m.s.) | VCEO (V) | IF (mA) | IC (mA) | | |
|  | | Single channel AC devices with high isolation voltage | | | | CTR measured @ VCE = 5V, IF = 5mA | |
| DIP4 Thru-Hole | PS2505-1 | 5000 | 80 | ± 80 | 50 | N = 80 to 600 | UL |
| SMT DIP4 | PS2505L-1 | | | | | | |
| SOP4 | PS2705A | 3750 | 70 | ± 30 | 30 | N = 50 to 300 L = 100 to 300 M = 50 to 150 | UL, VDE, CSA |
| SSOP4 | PS2805C-1 | 2500 | 80 | ± 30 | 30 | N = 50 to 400 M = 100 to 400 | UL, VDE, CSA, BSI |

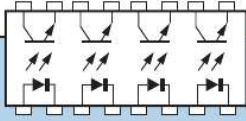
| | | | | | | | |
|---|-----------|---|----|------|----|-----------------------------------|-------------------|
|  | | Four channel AC devices with high isolation voltage | | | | CTR measured @ VCE = 5V, IF = 5mA | |
| SSOP16 | PS2805C-4 | 2500 | 80 | ± 30 | 30 | N = 50 to 400 M = 100 to 400 | UL, VDE, CSA, BSI |

NOTE: Other safety certifications available, see datasheet.

PS2805C-1-E3-VX CEF OPTOISOLATOR 5.2KΩ TRAVEL 24MD

Single Transistor DC & AC Optocouplers, Characterized for low input current (1 mA) Continued...

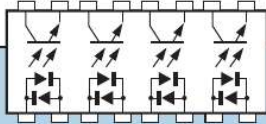
| Package | Part Number | Absolute Max Ratings | | | | CTR (N = Full range) Rank (%) | Safety Certification |
|---------|-------------|------------------------------|-------------------------|---------------------|------------------------|-------------------------------------|-------------------------|
| | | BV (V _{r.m.s.}) | V _{CEO} (V) | I _F (mA) | I _C (mA) | | |



| | | | | | | | |
|--|----------|---|----|----|----|----------------|--------------|
| Four channel DC device optimized for power supply applications | | CTR measured @ V _{CE} = 5V, I _F = 1mA | | | | | |
| SSOP16 | PS2811-4 | 2500 | 40 | 50 | 40 | N = 100 to 400 | UL, VDE, CSA |



| | | | | | | | |
|---|----------|--|----|-----|----|----------------|-------------------|
| Single channel AC devices optimized for power supply applications | | CTR measured @ V _{CE} = 5V, I _F = ±1mA | | | | | |
| SOP4 | PS2715 | 3750 | 40 | ±50 | 40 | N = 100 to 400 | UL, VDE, BSI, CSA |
| SSOP4 | PS2815-1 | 2500 | 40 | ±50 | 40 | N = 100 to 400 | UL, VDE, CSA |
| 4 Pin Mini Flat | PS2915 | 2500 | 40 | ±50 | 40 | N = 100 to 400 | UL, VDE, BSI |

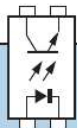


| | | | | | | | |
|--|----------|--|----|-----|----|----------------|---------|
| Four channel AC device optimized for power supply applications | | CTR measured @ V _{CE} = 5V, I _F = ±1mA | | | | | |
| SSOP16 | PS2815-4 | 2500 | 40 | ±50 | 40 | N = 100 to 400 | UL, VDE |

625812-1-1-13-VX CEF 091010101010 5'2K1 18V12 42MD

Single Transistor DC Optocouplers, Guaranteed 0.4mm Insulation

| Package | Part Number | Absolute Max Ratings | | | | CTR (N = Full range) Rank (%) | Safety Certification ¹ |
|---------|-------------|----------------------|-------------|---------|------------|-------------------------------------|--------------------------------------|
| | | BV (Vr.m.s.) | VCEO (V) | IF (mA) | IC (mA) | | |



Single channel DC devices, high isolation voltage

CTR measured @ VCE = 5V, IF = 5mA

| | | | | | | | |
|--|-----------|------|----|----|----|--|---|
| 4 pin LSOP stretched Gull Wing 8mm Creepage -40°C to +115°C operation | PS2381 | 5000 | 80 | 60 | 50 | N = 50 to 400 L = 100 to 300 M = 50 to 150 W = 130 to 260 | UL, VDE, CSA, CQC, SEMKO |
| DIP4 Thru-Hole 110°C operation | PS2561D | 5000 | 80 | 40 | 50 | N = 50 to 400 H = 80 to 160 L = 200 to 400 Q = 100 to 200 W = 130 to 260 | UL, VDE, BSI, CSA, SEMKO, NEMKO, DEMKO, FIMKO |
| SMT DIP4 110°C operation | PS2561DL | | | | | | |
| DIP4 Thru-Hole Gull Wing 110°C operation | PS2561DL1 | | | | | | |
| SMT DIP4 Gull Wing 110°C operation | PS2561DL2 | | | | | | |
| DIP4 Thru-Hole 110°C operation | PS2561F | 5000 | 80 | 30 | 50 | K = 300 to 600 | UL |
| SMT DIP4 Gull Wing 110°C operation | PS2561FL | | | | | | |
| SOP4 110°C operation | PS2761B | 3750 | 70 | 25 | 40 | N = 50 to 400 K = 200 to 400 M = 50 to 150 L = 100 to 300 | UL, BSI |
| SSOP4 110°C operation | PS2861B | 3750 | 70 | 50 | 50 | N = 50 to 300 L = 100 to 300 M = 50 to 150 | UL, BSI, CSA, VDE, CQC, SEMKO, NEMKO, DEMKO, FIMKO |

NOTES: 1. Other safety certifications available, see datasheet.

Single Transistor, with internal base-emitter resistor to increase the switching time

| Package | Part Number | Absolute Max Ratings | | | | CTR (N = Full range) Rank (%) | Safety Certification |
|---------|-------------|----------------------|-------------|---------|------------|-------------------------------------|-------------------------|
| | | BV (Vr.m.s.) | VCEO (V) | IF (mA) | IC (mA) | | |



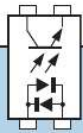
Б25В12-1-Е3-АХ СЕГ ОБЛОИЗОГЛТОВ СЪЗКВ ТВАИ2 В2МД
Single channel DC device with internal base-emitter resistor to
increase the switching time

CTR measured @ VCE = 5V, IF = 5mA

| | | | | | | | |
|----------------|---------|------|----|----|----|---------------|-------------------|
| DIP4 Thru-Hole | PS2514 | 5000 | 40 | 30 | 20 | N = 50 to 200 | UL, VDE, CSA, CQC |
| SMT DIP4 | PS2514L | | | | | | |

Single Transistor AC Optocouplers, Guaranteed 0.4mm Insulation (BSI)

| Package | Part Number | Absolute Max Ratings | | | | CTR (N = Full range) Rank (%) | Safety Certification ¹ |
|---------|-------------|----------------------|-------------|---------|------------|-------------------------------------|--------------------------------------|
| | | BV (Vr.m.s.) | VCEO (V) | IF (mA) | IC (mA) | | |

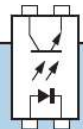


| Single channel AC devices, high isolation voltage | | | | | | | CTR measured @ VCE = 5V, IF = 5mA |
|---|----------|------|----|-----|----|---------------|--|
| DIP4 Thru-Hole | PS2565 | 5000 | 80 | ±80 | 50 | N = 80 to 400 | UL, VDE, BSI, CSA, SEMKO, NEMKO DEMKO, FIMKO |
| SMT DIP4 | PS2565L | | | | | | |
| DIP4 Thru-Hole Gull Wing | PS2565L1 | | | | | | |
| SMT DIP4 Gull Wing | PS2565L2 | | | | | | |

NOTES: 1. Other safety certifications available, see datasheet.

Single Transistor, High Performance DC Optocouplers

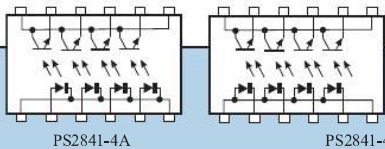
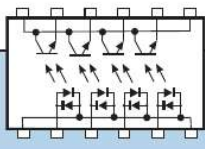
| Package | Part Number | Absolute Max Ratings | | | | CTR (N = Full range) Rank (%) | Safety Certification |
|---------|-------------|----------------------|-------------|---------|------------|-------------------------------------|-------------------------|
| | | BV (Vr.m.s.) | VCEO (V) | IF (mA) | IC (mA) | | |



| Single channel DC devices, high VCE | | | | | | | CTR measured @ VCE and IF as noted |
|-------------------------------------|--------|------|-----|----|----|--|------------------------------------|
| SOP4 | PS2703 | 3750 | 120 | 50 | 30 | VCE = 5V, IF = 5mA N = 50 to 400 K = 200 to 400 L = 100 to 300 M = 50 to 150 | UL, VDE, BSI, CSA |
| 4 Pin Mini Flat | PS2913 | 2500 | 120 | 50 | 30 | VCE = 5V, IF = 1mA N = 50 to 200 K = 100 to 200 L = 75 to 150 M = 50 to 100 | UL, VDE, BSI |

625812-1-1-13-AX CEF 09101010101052K1 T8A12 2A12D

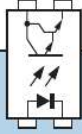
Single Transistor Optocouplers in Miniature Quad Packages

| Package | Part Number | Absolute Max Ratings | | | | CTR (N = Full range) Rank (%) | Safety Certification |
|---|-------------|--------------------------|-------------|---------|------------|-------------------------------------|-------------------------|
| | | BV (Vr.m.s.) | VCEO (V) | IF (mA) | IC (mA) | | |
|  | | Four channel, DC devices | | | | CTR measured @ VCE = 0.4V, IF = 1mA | |
| SSOP12 | PS2841-4A | 1500 | 70 | 20 | 20 | N = 100 to 400 | UL |
| SSOP12 | PS2841-4B | | | | | | |
|  | | Four channel, AC device | | | | CTR measured @ VCE = 0.4V, IF = 1mA | |
| SSOP12 | PS2845-4A | 1500 | 70 | ±20 | 20 | N = 100 to 400 | UL |

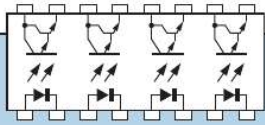
PS2845-4A

Darlington Transistor, General Purpose Optocouplers

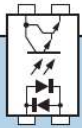
| Package | Part Number | Absolute Max Ratings | | | | CTR (N = Full range) Rank (%) | Safety Certification |
|---------|-------------|----------------------|-------------|---------|------------|-------------------------------------|-------------------------|
| | | BV (Vr.m.s.) | VCEO (V) | IF (mA) | IC (mA) | | |



| Single channel DC devices, high isolation voltage | | CTR measured @ VCE = 2V, IF = 1mA | | | | | |
|---|-----------|-----------------------------------|----|----|-----|---|-------------------|
| DIP4 Thru-Hole | PS2502-1 | 5000 | 40 | 80 | 200 | N = 200 min K = 2000 min L = 700 to 3400 M = 200 to 1000 | UL |
| SMT DIP4 | PS2502L-1 | | | | | | |
| SOP4 | PS2702-1 | 3750 | 40 | 50 | 200 | N = 200 min K = 2000 min L = 700 to 3400 M = 200 to 1000 | UL, VDE, BSI, CSA |
| SSOP4 | PS2802-1 | 2500 | 40 | 50 | 90 | N = 200 min K = 2000 min L = 700 to 3400 M = 200 to 1000 | UL, VDE, BSI, CSA |



| Four channel DC devices, high isolation voltage | | CTR measured @ VCE = 2V, IF = 1mA | | | | | |
|---|----------|-----------------------------------|----|----|-----|-------------|-------------------|
| SSOP16 | PS2802-4 | 2500 | 40 | 50 | 100 | N = 200 min | UL, VDE, BSI, CSA |



| Single channel AC device, high isolation voltage | | CTR measured @ VCE = 2V, IF = ±1mA | | | | | |
|--|---------|------------------------------------|----|-----|-----|-------------|----|
| DIP4 Thru-Hole | PS2506 | 5000 | 40 | ±80 | 200 | N = 200 min | UL |
| SMT DIP4 | PS2506L | | | | | | |

625812-1-13-AX CEF 0910120108 5'2K1 18V12 42MD

Darlington Transistor Optocouplers, Guaranteed 0.4mm insulation (BSI)

| Package | Part Number | Absolute Max Ratings | | | | CTR (N = Full range) Rank (%) | Safety Certification ¹ |
|---------|-------------|----------------------|-------------|---------|------------|-------------------------------------|--------------------------------------|
| | | BV (Vr.m.s.) | VCEO (V) | IF (mA) | IC (mA) | | |

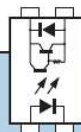


| | | | | | | | |
|--|----------|-----------------------------------|----|----|-----|---|---|
| Single channel DC device, high isolation voltage | | CTR measured @ VCE = 2V, IF = 1mA | | | | | |
| DIP4 Thru-Hole | PS2562 | 5000 | 40 | 80 | 200 | N = 200 min K = 2000 to 3400 L = 700 to 3400 M = 200 to 1000 | UL, VDE, BSI, CSA, NEMKO, SEMKO, DEMKO, FIMKO |
| SMT DIP4 | PS2562L | | | | | | |
| DIP4 Thru-Hole Gull Wing | PS2562L1 | | | | | | |
| SMT DIP4 Gull Wing | PS2562L2 | | | | | | |

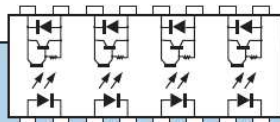
NOTES: 1. Other safety certifications available, see datasheet.

Darlington Transistor, High VCEO DC Optocouplers

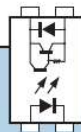
| Package | Part Number | Absolute Max Ratings | | | | CTR (N = Full range) Rank (%) | Safety Certification ¹ |
|---------|-------------|----------------------|-------------|---------|------------|-------------------------------------|--------------------------------------|
| | | BV (Vr.m.s.) | VCEO (V) | IF (mA) | IC (mA) | | |



| | | | | | | | |
|---------------------------|----------|-----------------------------------|-----|----|-----|------------------|-------------------|
| Single channel DC devices | | CTR measured @ VCE = 2V, IF = 1mA | | | | | |
| DIP4 Thru-Hole | PS2533 | 5000 | 350 | 80 | 150 | N = 1500 to 6500 | UL, VDE, BSI, CSA |
| SMT DIP4 | PS2533L | | | | | | |
| SOP4 | PS2733 | 2500 | 350 | 50 | 150 | N = 1500 min | UL, VDE, BSI, CSA |
| SSOP4 | PS2833-1 | 2500 | 350 | 50 | 60 | N = 400 to 4500 | UL, VDE, CSA |



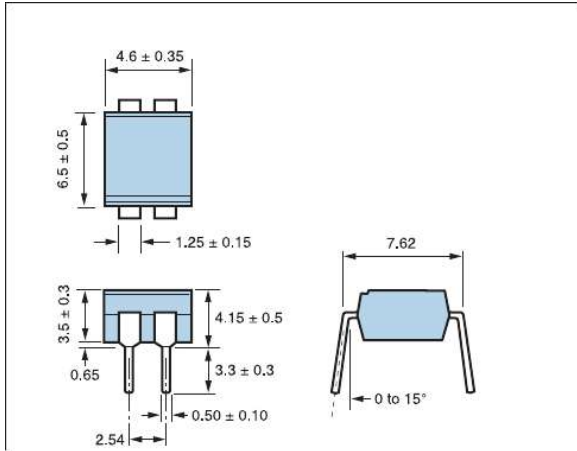
| | | | | | | | |
|------------------------|----------|-----------------------------------|-----|----|----|-----------------|----|
| Four channel DC device | | CTR measured @ VCE = 2V, IF = 1mA | | | | | |
| SSOP16 | PS2833-4 | 2500 | 350 | 50 | 60 | N = 400 to 4500 | UL |



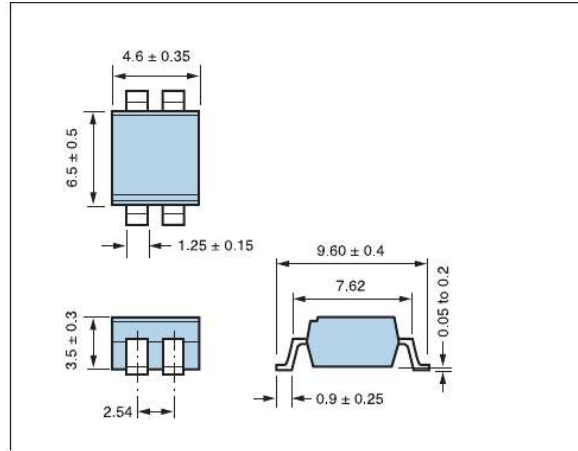
| | | | | | | | |
|---------------------------|---------|-----------------------------------|-----|----|-----|-------------------------------------|--------------|
| Single channel DC devices | | CTR measured @ VCE = 2V, IF = 1mA | | | | | |
| DIP4 Thru-Hole | PS2535 | 5000 | 350 | 50 | 120 | N = 400 to 5500 L = 1500 to 5500 | UL, VDE, BSI |
| SMT DIP4 Gull Wing | PS2535L | | | | | | |

Optocoupler Package Dimensions Dimensions in millimeters. Dimensions are nominal, please refer to datasheets.

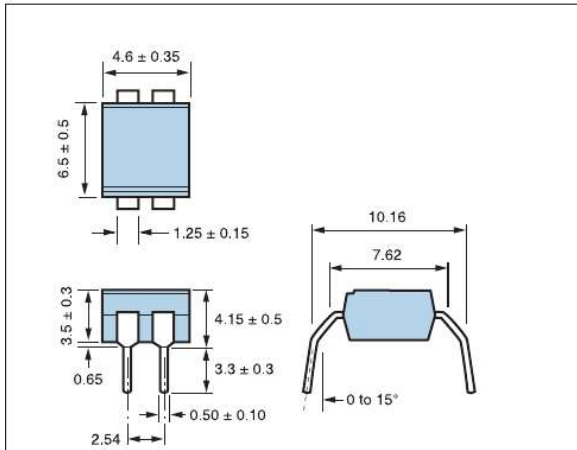
DIP4 Thru-Hole



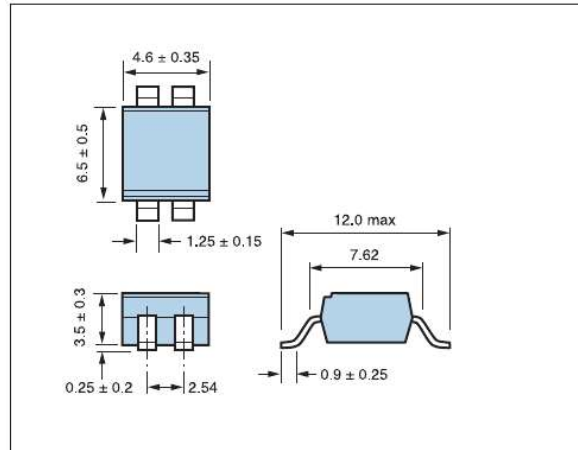
L — SMT DIP4



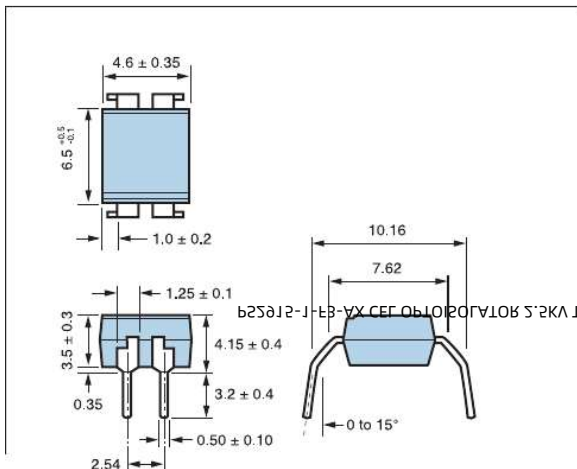
L1 — DIP4 Thru-Hole Gull Wing



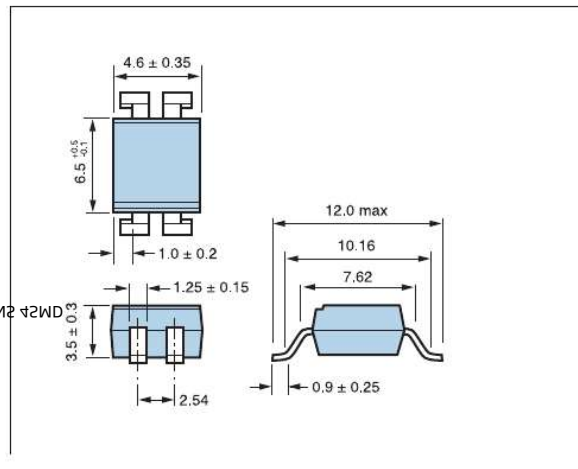
L2 — SMT DIP4 Gull Wing



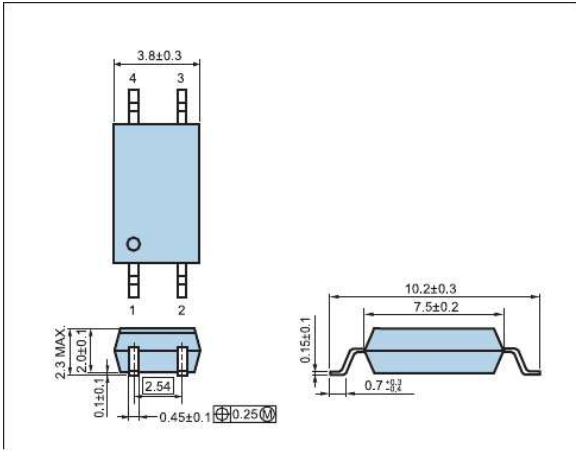
L1 — DIP4 Thru-Hole Gull Wing with 8mm Creepage



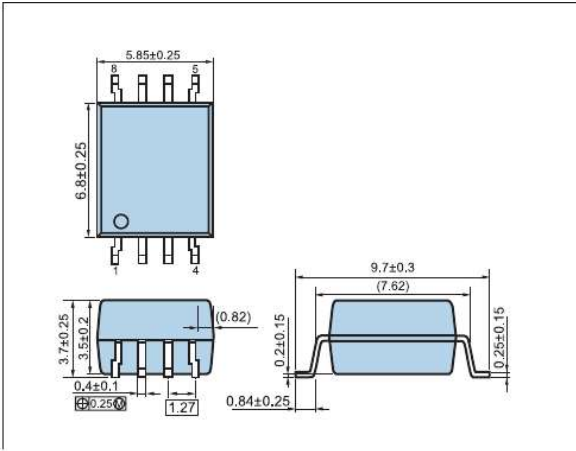
L2 — SMT DIP4 Gull Wing with 8mm Creepage



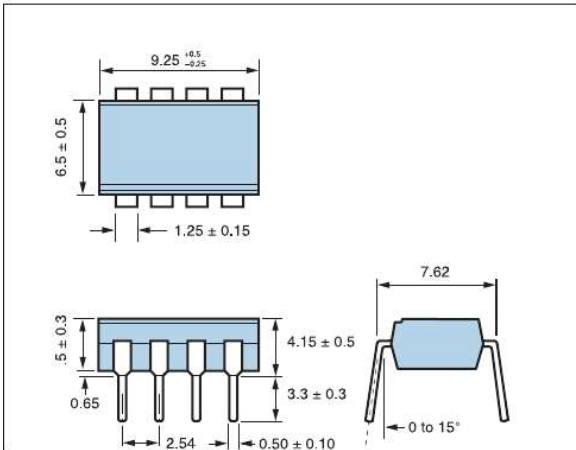
4-Pin LSOP



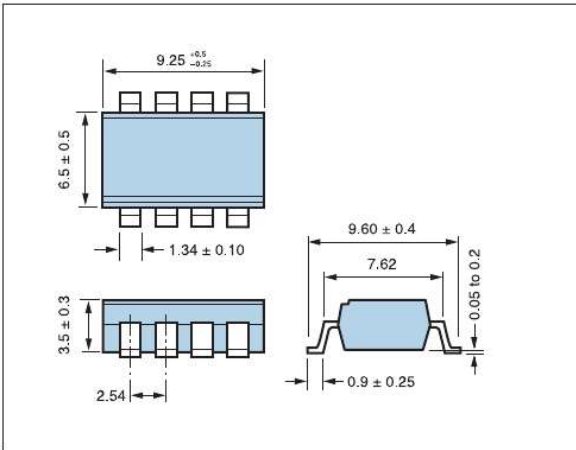
8-Pin SDIP



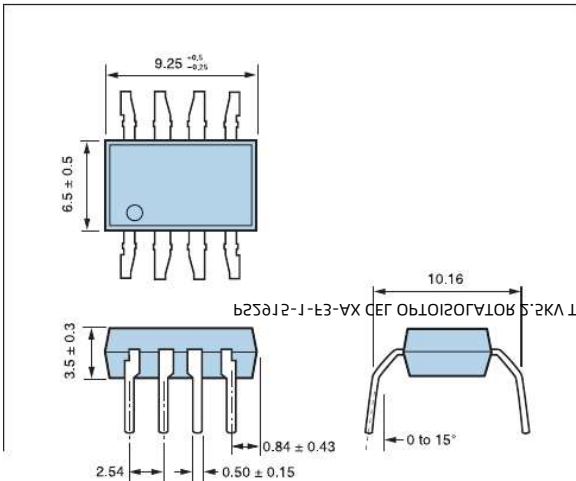
DIP8 Thru-Hole



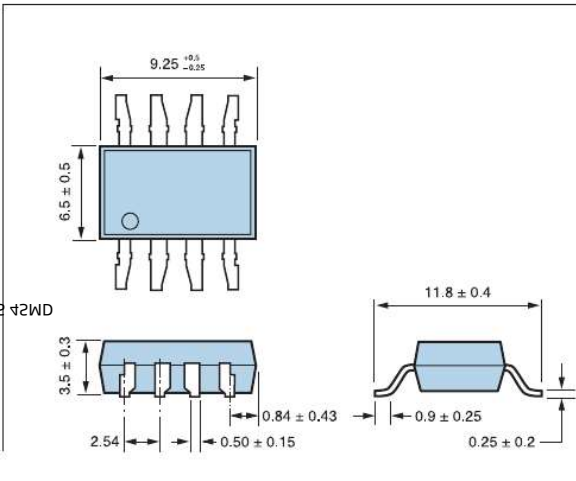
L — SMT DIP8



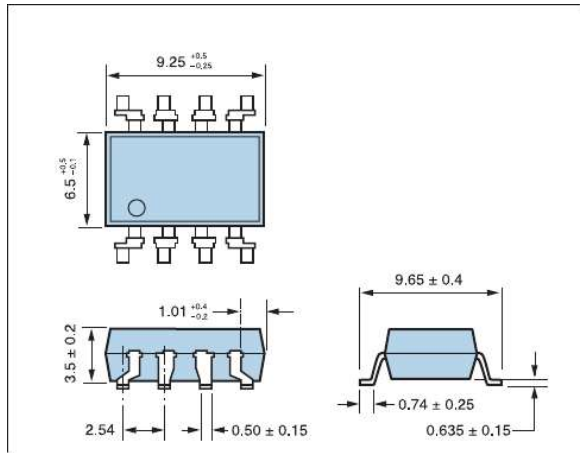
L1 — DIP8 Thru-Hole with 8mm Creepage



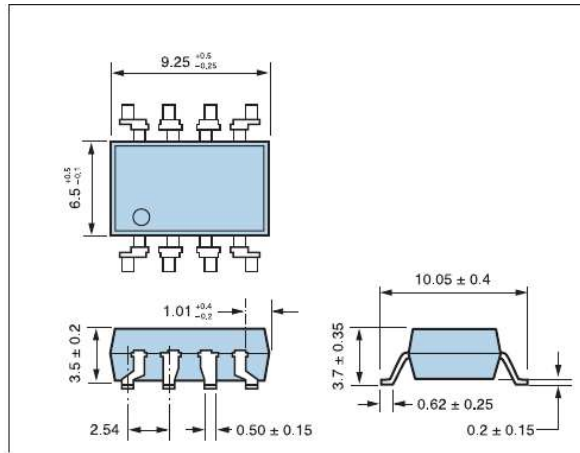
L2 — SMT DIP8 Gull Wing with 8mm Creepage



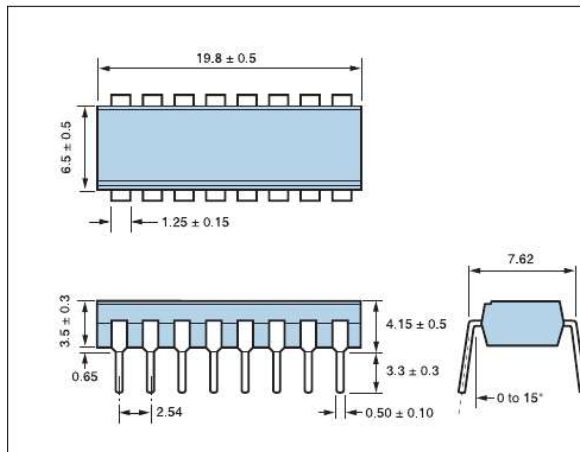
L3 — SMT DIP8 Gull Wing



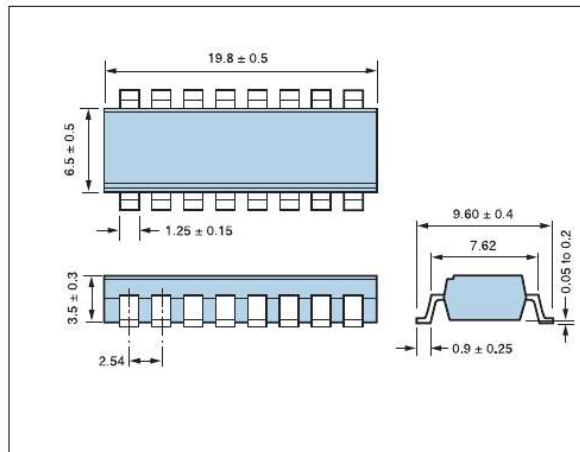
L4 — SMT DIP8 Gull Wing with 8mm Creepage



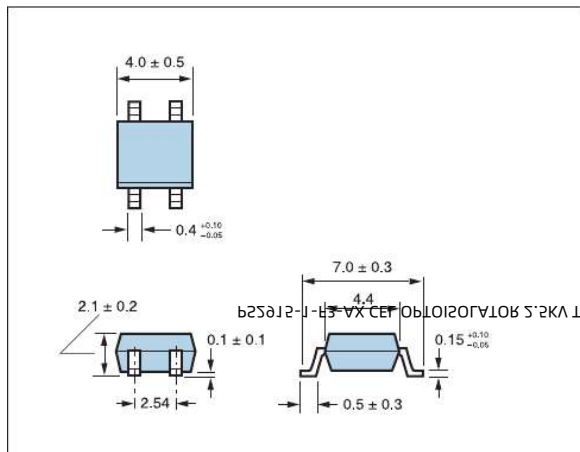
DIP16 Thru-Hole



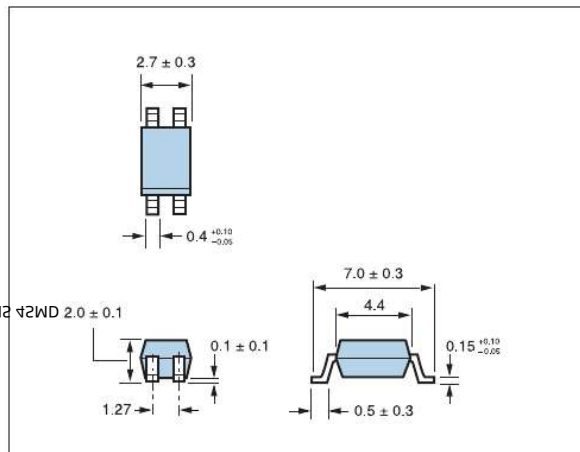
L — SMT DIP16



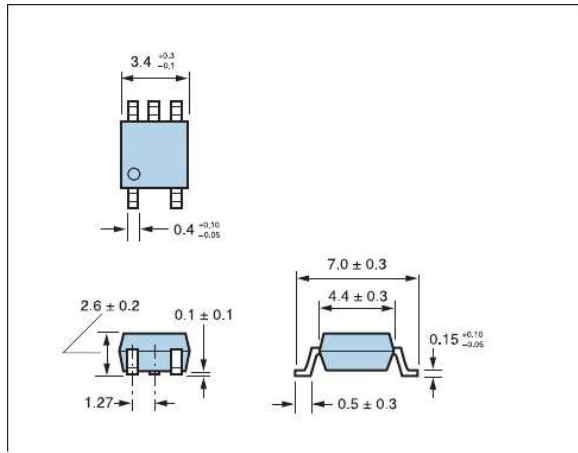
SOP4 2.54mm pin pitch



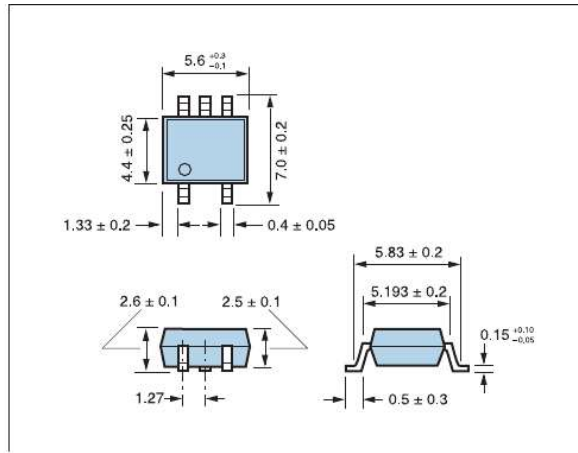
SSOP4 1.27mm pin pitch



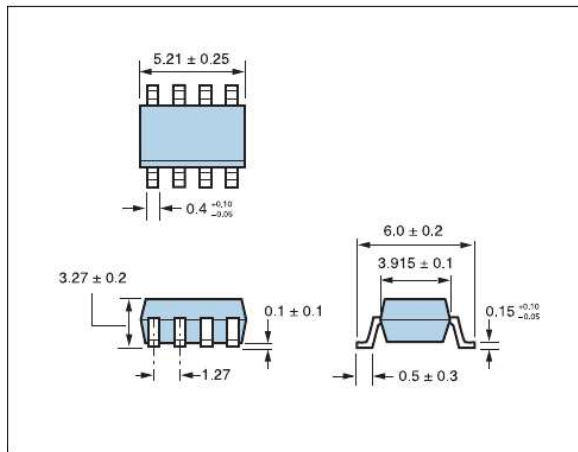
SOP5 1.27mm pin pitch



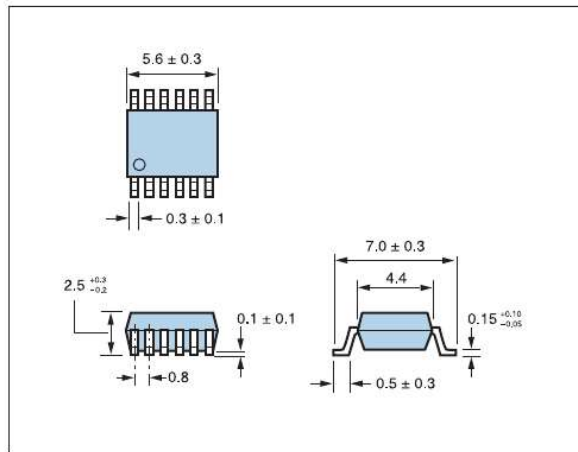
SOP5 1.27mm pin pitch with 5.5mm Creepage



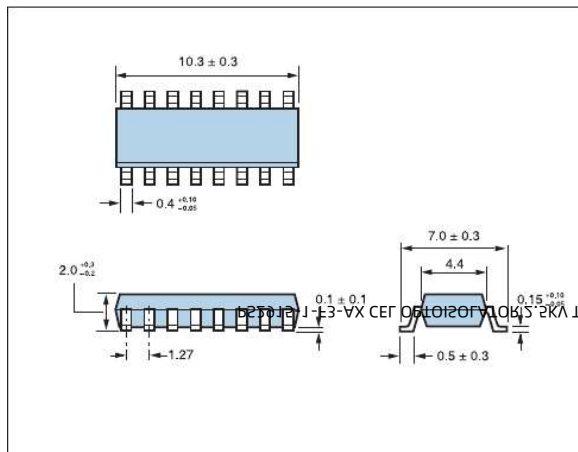
S08 1.27mm pin pitch



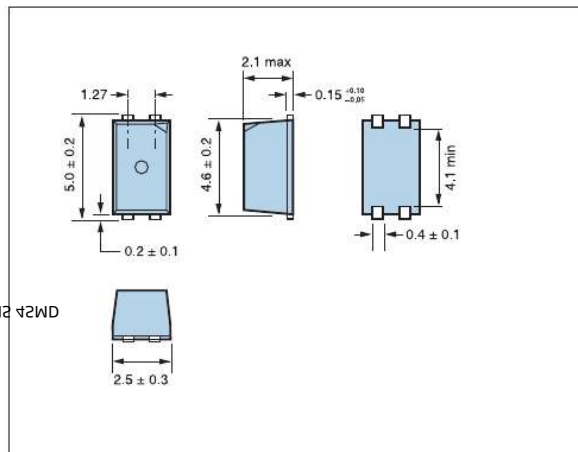
SSOP12 Mini Quad 1.27mm pin pitch



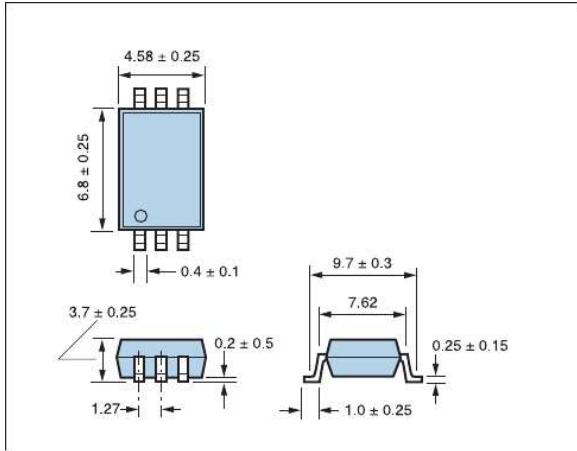
SSOP16 1.27mm pin pitch



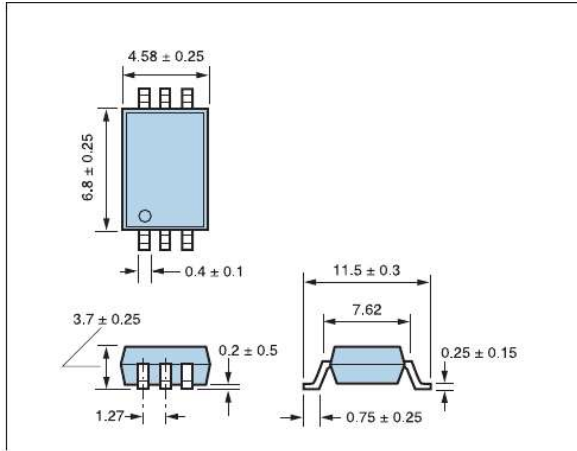
4-Pin Mini Flat



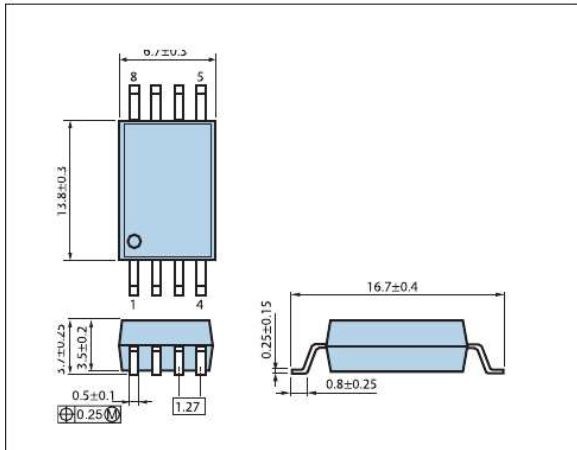
L — SDIP6 SMT Gull Wing



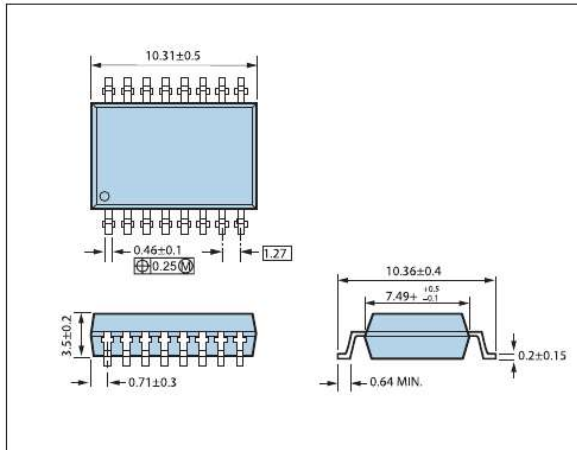
L2 — SDIP6 SMT Gull Wing with 8mm Creepage



8-Pin LSDIP



16-Pin SSOP

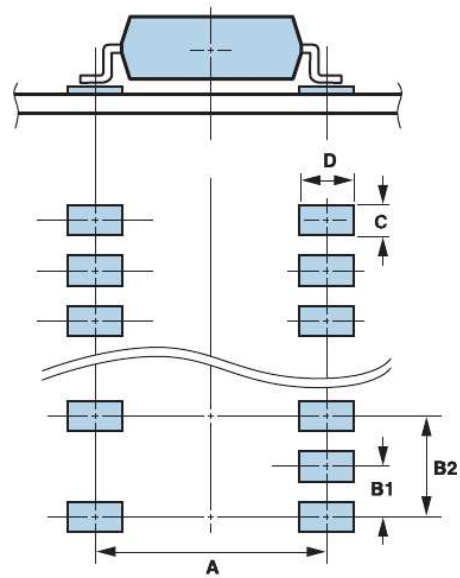


2M2P 2MART VK2.5 POTAIOIOT9T 2K2K TBAM2 42M

Mounting Pad Dimensions for Optocouplers

| Package | A | B1 | B2 | C | D |
|---------|---|----|----|---|---|
|---------|---|----|----|---|---|

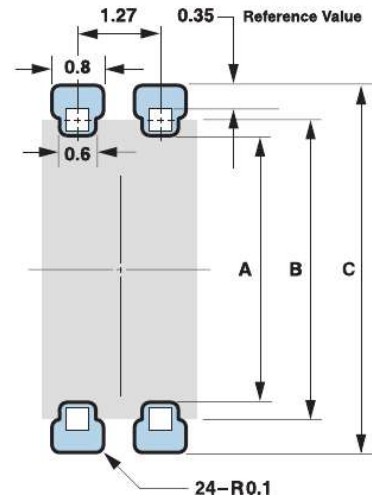
| Surface Mount DIP, SOP and SSOP Packages (mm) | | | | | |
|---|------|------|------|-----|------|
| DIP (SMT) 4, 6, 8, 12, 16 Pin | 8.2 | - | 2.54 | 1.7 | 2.2 |
| DIP (L2 – SMT) 4, 6, 8, 16 Pin | 10.2 | - | 2.54 | 1.7 | 2.2 |
| SOP 4, 8, 16 Pin | 6.25 | - | 2.54 | 0.8 | 1.45 |
| SOP 5 Pin | 6.25 | 1.27 | 2.54 | 0.8 | 1.45 |
| SSOP 4, 16 Pin 1.27mm Pitch | 6.25 | - | 1.27 | 0.8 | 1.45 |
| SSOP 8 Pin (SO-8) 1.27mm Pitch | 5.25 | - | 1.27 | 0.8 | 1.45 |
| SSOP 12 Pin 0.8mm Pitch | 6.25 | - | 0.8 | 0.5 | 1.45 |
| LSDIP 8 Pin | 16.6 | - | 1.27 | 0.9 | 2 |
| SDIP 6 Pin | 9.2 | - | 1.27 | 0.8 | 2.2 |



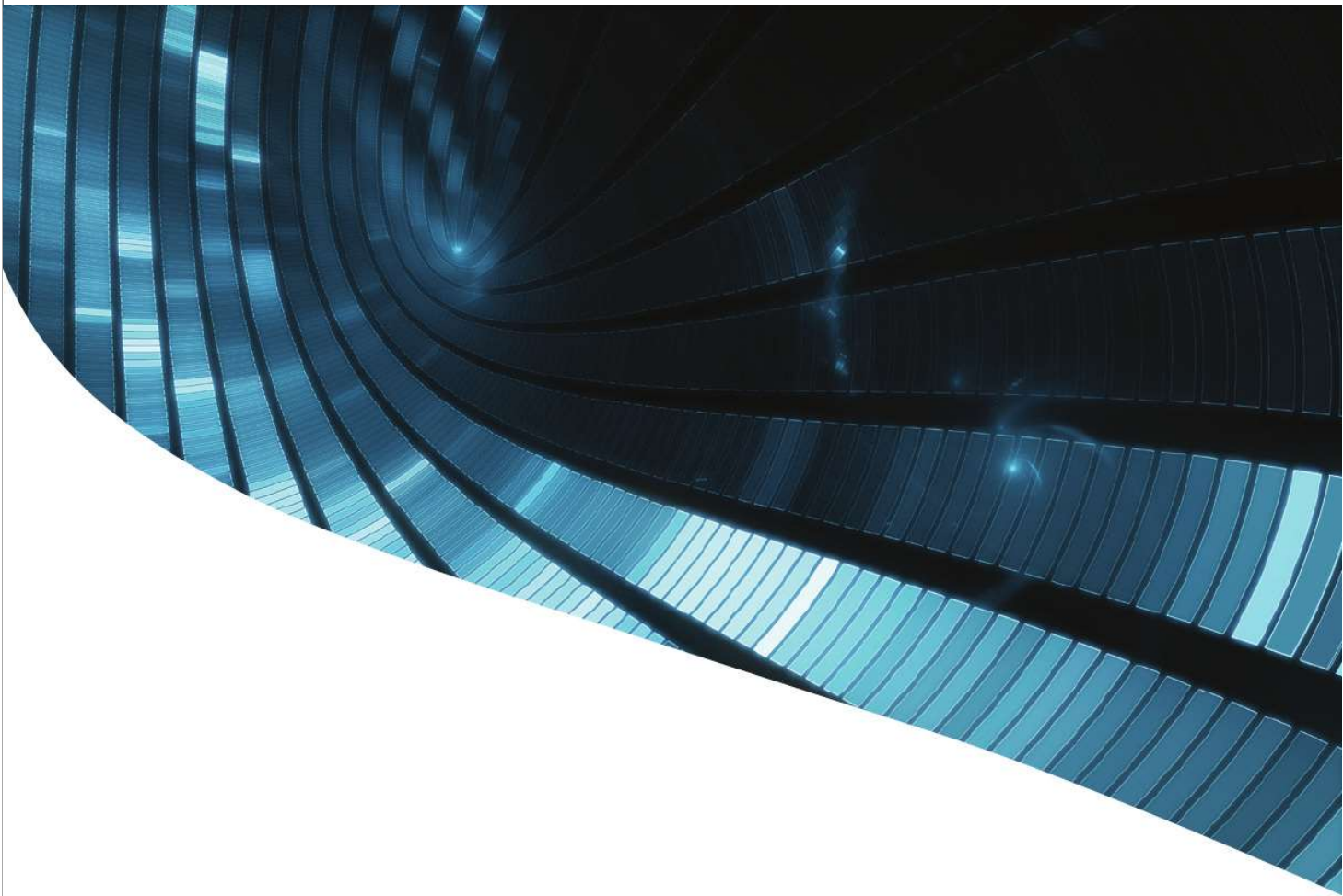
| Package | A | B | C |
|---------|---|---|---|
|---------|---|---|---|

| Mini Flat Packages (mm) | | | |
|---|------|-----|-----|
| Optocoupler Version PS29xx, 1.27mm Pitch | 4.14 | 4.7 | 5.7 |

NOTES: The Mini Flat package meets the 4.0mm air distance and outer creepage requirement.
All dimensions are subject to change without notice. Please contact CEL to ensure that you have the latest version of this document.



PS2912-1-E3-VX CEL OPTOCOUPLER 5-PIN 1.27MM PITCH



CEL Headquarters
4590 Patrick Henry Drive
Santa Clara, CA 95054
Tel: (408) 919-2500
E-mail: oc@cel.com

MDP 2APR 12-11-13 AX CEL OPTOISOLATOR S2K1 T8V12 42MD



[Learn more](#)
www.cel.com/optocouplers

© 2016 California Eastern Laboratories 07.2016

For a complete list of sales offices, representatives and distributors,
Please visit our website: www.cel.com/contactus

OUR CERTIFICATE

DiGi provide top-quality products and perfect service for customer worldwide through standardization, technological innovation and continuous improvement. DiGi through third-party certification, we strictly control the quality of products and services. Welcome your RFQ to

Email: Info@DiGi-Electronics.com



Tel: +00 852-30501935

RFQ Email: Info@DiGi-Electronics.com

DiGi is a global authorized distributor of electronic components.