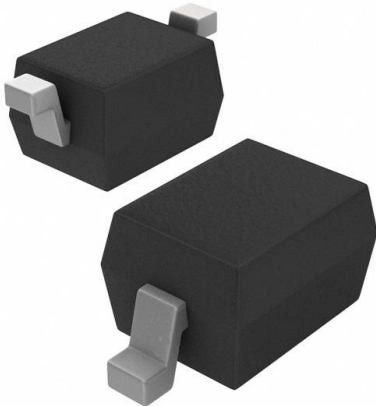


CMDZ5221B TR PBFREE Datasheet

www.digi-electronics.com



<https://www.DiGi-Electronics.com>

DiGi Electronics Part Number	CMDZ5221B TR PBFREE-DG
Manufacturer	Central Semiconductor Corp
Manufacturer Product Number	CMDZ5221B TR PBFREE
Description	DIODE ZENER 2.4V 500MW SOD323
Detailed Description	Zener Diode 2.4 V 500 mW ±5% Surface Mount SOD-323

This model CMDZ5221B TR PBFREE is available at DiGi Electronics.

DiGi Electronics offers a global database of semiconductor and electronic component datasheets.

We welcome your inquiries regarding pricing, lead time, or other product-related questions.

 [Request a Quote](#)

 [Datasheet Search](#)



Tel: +00 852-30501935

RFQ Email: Info@DiGi-Electronics.com

DiGi is a global authorized distributor of electronic components.

Purchase and inquiry

Manufacturer Product Number:

CMDZ5221B TR PBFREE

Series:

-

Voltage - Zener (Nom) (Vz):

2.4 V

Power - Max:

500 mW

Current - Reverse Leakage @ Vr:

100 μ A @ 1 V

Operating Temperature:

-65°C ~ 200°C

Package / Case:

SC-76, SOD-323

Base Product Number:

CMDZ5221

Manufacturer:

Central Semiconductor Corp

Product Status:

Active

Tolerance:

\pm 5%

Impedance (Max) (Zzt):

30 Ohms

Voltage - Forward (Vf) (Max) @ If:

900 mV @ 10 mA

Mounting Type:

Surface Mount

Supplier Device Package:

SOD-323

Environmental & Export classification

RoHS Status:

ROHS3 Compliant

REACH Status:

REACH Unaffected

HTSUS:

8541.10.0050

Moisture Sensitivity Level (MSL):

1 (Unlimited)

ECCN:

EAR99

CMDZ5221B THRU CMDZ5261B

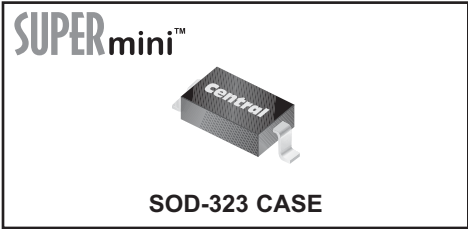
**SURFACE MOUNT
SILICON ZENER DIODE
2.4 VOLTS THRU 47 VOLTS
250mW, 5% TOLERANCE**



www.centralemi.com

DESCRIPTION:

The CENTRAL SEMICONDUCTOR CMDZ5221B Series Silicon Zener Diode is a high quality voltage regulator, manufactured in a super-mini surface mount package, designed for use in industrial, commercial, entertainment and computer applications.



MARKING CODE: SEE MARKING CODES ON ELECTRICAL CHARACTERISTICS TABLE

MAXIMUM RATINGS: (T_A=25°C)

Power Dissipation
Operating and Storage Temperature
Thermal Resistance

SYMBOL

P_D
T_J, T_{stg}
θ_{JA}

UNITS

mW
°C
°C/W

ELECTRICAL CHARACTERISTICS: (T_A=25°C), V_F=0.9V MAX @ I_F=10mA (FOR ALL TYPES)

TYPE	ZENER VOLTAGE V _Z @ I _{ZT}			TEST CURRENT I _{ZT} mA	MAXIMUM ZENER IMPEDANCE			MAXIMUM REVERSE CURRENT		MAXIMUM ZENER VOLTAGE TEMPERATURE COEFFICIENT %°C	MARKING CODE
	MIN	NOM	MAX		Z _{ZT} @ I _{ZT}	Z _{ZK} @ I _{ZK}	I _R @ V _R	μA	V		
	V	V	V		Ω	Ω					
CMDZ5221B	2.280	2.4	2.520	20	30	1200	0.25	100	1.0	-0.085	X1
CMDZ5222B	2.375	2.5	2.625	20	30	1250	0.25	100	1.0	-0.085	X2
CMDZ5223B	2.565	2.7	2.835	20	30	1300	0.25	75	1.0	-0.080	X3
CMDZ5224B	2.660	2.8	2.940	20	30	1400	0.25	75	1.0	-0.080	X4
CMDZ5225B	2.850	3.0	3.150	20	29	1600	0.25	50	1.0	-0.075	X5
CMDZ5226B	3.135	3.3	3.465	20	28	1600	0.25	25	1.0	-0.070	X6
CMDZ5227B	3.420	3.6	3.780	20	24	1700	0.25	15	1.0	-0.065	X7
CMDZ5228B	3.705	3.9	4.095	20	23	1900	0.25	10	1.0	-0.060	X8
CMDZ5229B	4.085	4.3	4.515	20	22	2000	0.25	5.0	1.0	±0.055	X9
CMDZ5230B	4.465	4.7	4.935	20	19	1900	0.25	5.0	2.0	±0.030	XA
CMDZ5231B	4.845	5.1	5.355	20	17	1600	0.25	5.0	2.0	±0.030	XB
CMDZ5232B	5.320	5.6	5.880	20	11	1600	0.25	5.0	3.0	+0.038	XC
CMDZ5233B	5.700	6.0	6.300	20	7.0	1600	0.25	5.0	3.5	+0.038	XD
CMDZ5234B	5.890	6.2	6.510	20	7.0	1000	0.25	5.0	4.0	+0.045	XE
CMDZ5235B	6.460	6.8	7.140	20	5.0	750	0.25	3.0	5.0	+0.050	XF
CMDZ5236B	7.125	7.5	7.875	20	6.0	500	0.25	3.0	6.0	+0.058	XG
CMDZ5237B	7.790	8.2	8.610	20	8.0	500	0.25	3.0	6.5	+0.062	XH
CMDZ5238B	8.265	8.7	9.135	20	8.0	600	0.25	3.0	6.5	+0.065	XJ
CMDZ5239B	8.645	9.1	9.555	20	10	600	0.25	3.0	7.0	+0.068	XK
CMDZ5240B	9.500	10	10.50	20	17	600	0.25	3.0	8.0	+0.075	XL
CMDZ5241B	10.45	11	11.55	20	22	600	0.25	2.0	8.4	+0.076	XN
CMDZ5242B	11.40	12	12.60	20	30	600	0.25	1.0	9.1	+0.077	XO

CMDZ5221B THRU CMDZ5261B

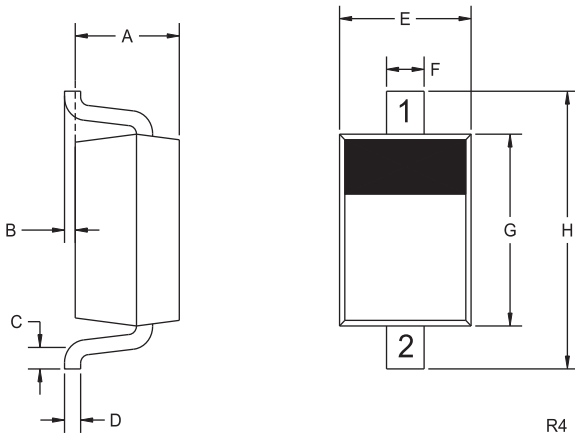
**SURFACE MOUNT
SILICON ZENER DIODE
2.4 VOLTS THRU 47 VOLTS
250mW, 5% TOLERANCE**



ELECTRICAL CHARACTERISTICS - Continued: ($T_A=25^{\circ}C$), $V_F=0.9V$ MAX @ $I_F=10mA$ (FOR ALL TYPES)

TYPE	ZENER VOLTAGE $V_Z @ I_{ZT}$			TEST CURRENT	MAXIMUM ZENER IMPEDANCE			MAXIMUM REVERSE CURRENT		MAXIMUM ZENER VOLTAGE TEMPERATURE COEFFICIENT	MARKING CODE
	MIN	NOM	MAX	I_{ZT}	$Z_{ZT} @ I_{ZT}$	$Z_{ZK} @ I_{ZK}$	$I_R @ V_R$	θ_{VZ}			
	V	V	V	mA	Ω	Ω	μA	V	%/°C		
CMDZ5243B	12.35	13	13.65	9.5	13	600	0.25	0.5	9.9	+0.079	XP
CMDZ5244B	13.30	14	14.70	9.0	15	600	0.25	0.1	10	+0.082	XQ
CMDZ5245B	14.25	15	15.75	8.5	16	600	0.25	0.1	11	+0.082	XR
CMDZ5246B	15.20	16	16.80	7.8	17	600	0.25	0.1	12	+0.083	XS
CMDZ5247B	16.15	17	17.85	7.4	19	600	0.25	0.1	13	+0.084	XT
CMDZ5248B	17.10	18	18.90	7.0	21	600	0.25	0.1	14	+0.085	XU
CMDZ5249B	18.05	19	19.95	6.6	23	600	0.25	0.1	14	+0.086	XV
CMDZ5250B	19.00	20	21.00	6.2	25	600	0.25	0.1	15	+0.086	XX
CMDZ5251B	20.90	22	23.10	5.6	29	600	0.25	0.1	17	+0.087	XY
CMDZ5252B	22.80	24	25.20	5.2	33	600	0.25	0.1	18	+0.088	XZ
CMDZ5253B	23.75	25	26.25	5.0	35	600	0.25	0.1	19	+0.089	Y1
CMDZ5254B	25.65	27	28.35	4.6	41	600	0.25	0.1	21	+0.090	Y2
CMDZ5255B	26.60	28	29.40	4.5	44	600	0.25	0.1	21	+0.091	Y3
CMDZ5256B	28.50	30	31.50	4.2	49	600	0.25	0.1	23	+0.091	Y4
CMDZ5257B	31.35	33	34.65	3.8	58	700	0.25	0.1	25	+0.092	Y5
CMDZ5258B	34.20	36	37.80	3.4	70	700	0.25	0.1	27	+0.093	Y6
CMDZ5259B	37.05	39	40.95	3.2	80	800	0.25	0.1	30	+0.094	Y7
CMDZ5260B	40.85	43	45.15	3.0	93	900	0.25	0.1	33	+0.095	Y8
CMDZ5261B	44.65	47	49.35	2.7	105	1000	0.25	0.1	36	+0.095	Y9

SOD-323 CASE - MECHANICAL OUTLINE



SYMBOL	DIMENSIONS			
	INCHES		MILLIMETERS	
A	0.031	0.039	0.80	1.00
B	0.000	0.004	0.00	0.10
C	0.008	-	0.20	-
D	0.004	0.007	0.11	0.19
E	0.045	0.053	1.15	1.35
F	-	0.014	-	0.35
G	0.063	0.071	1.60	1.80
H	0.094	0.102	2.40	2.60

SOD-323 (REV: R4)

LEAD CODE:

- 1) CATHODE
- 2) ANODE

R4

R4 (8-January 2010)



OUTSTANDING SUPPORT AND SUPERIOR SERVICES

PRODUCT SUPPORT

Central's operations team provides the highest level of support to insure product is delivered on-time.

- Supply management (Customer portals)
- Inventory bonding
- Consolidated shipping options
- Custom bar coding for shipments
- Custom product packing

DESIGNER SUPPORT/SERVICES

Central's applications engineering team is ready to discuss your design challenges. Just ask.

- Free quick ship samples (2nd day air)
- Online technical data and parametric search
- SPICE models
- Custom electrical curves
- Environmental regulation compliance
- Customer specific screening
- Up-screening capabilities
- Special wafer diffusions
- PbSn plating options
- Package details
- Application notes
- Application and design sample kits
- Custom product and package development

REQUESTING PRODUCT PLATING

1. If requesting Tin/Lead plated devices, add the suffix "TIN/LEAD" to the part number when ordering (example: 2N2222A TIN/LEAD).
2. If requesting Lead (Pb) Free plated devices, add the suffix "PBFREE" to the part number when ordering (example: 2N2222A PBFREE).

CONTACT US

Corporate Headquarters & Customer Support Team

Central Semiconductor Corp.
 145 Adams Avenue
 Hauppauge, NY 11788 USA
 Main Tel: (631) 435-1110
 Main Fax: (631) 435-1824
 Support Team Fax: (631) 435-3388
www.centrasemi.com

Worldwide Field Representatives:
www.centrasemi.com/wwreps

Worldwide Distributors:
www.centrasemi.com/wwdistributors

For the latest version of Central Semiconductor's **LIMITATIONS AND DAMAGES DISCLAIMER**, which is part of Central's Standard Terms and Conditions of sale, visit: www.centrasemi.com/terms

Product End of Life Notification

PDN ID:	PDN01277
Notification Date:	2/19/25
Last Buy Date:	8/19/25
Last Shipment Date	2/19/26

<https://www.centralsemi.com>

Summary: All devices manufactured in the SOD-323 package are discontinued and now classified as End of Life (EOL). Available options are: 1. Orders will be accepted for products with available inventory. 2. Last Time Buy (LTB) may be available for certain items. 3. A replacement product not available at the time of this notice, may be under development. Please contact your Central Semiconductor Customer Service Representative at 001.631.435.1110

Although Central Semiconductor makes every effort to continue to produce devices that have been proclaimed EOL (End of Life) by other manufacturers, it is an accepted industry practice to discontinue certain devices when customer demand falls below a minimum level of sustainability. Accordingly, the following product(s) have been transitioned to End of Life status as part of Central's ongoing Product Portfolio Management. Any replacement products are noted below. The effective date for placing last purchase orders will be six (6) months from the date of this notice and twelve (12) months from the notice date for final shipments, and minimum order quantities may apply. The last purchase and shipment dates may be extended if inventory is available.

*** All Plating types (PBFREE, TIN/LEAD) for each item listed are included in this notice.**

Central Part Number	Suggested Replacement
CEN1095 BK	N/A
CEN1095 TR	N/A
CEN1208 BK	N/A
CEN1208 TR	N/A
CMDD2004 BK	N/A
CMDD2004 TR	N/A
CMDD3003 BK	N/A
CMDD3003 TR	N/A
CMDD4448 BK	N/A
CMDD4448 TR	N/A
CMDD6001 BK	N/A
CMDD6001 TR	N/A
CMDD6263 BK	N/A
CMDD6263 TR	N/A
CMDSH-3 BK	N/A
CMDSH-3 TR	N/A
CMDSH-4E BK	N/A
CMDSH-4E TR	N/A
CMDSH05-4 BK	N/A
CMDSH05-4 TR	N/A
CMDSH05-45 BK	N/A
CMDSH05-45 TR	N/A
CMDSH05-45 TR13	N/A
CMDSH2-3 BK	N/A
CMDSH2-3 TR	N/A
CMDSH2-4L BK	N/A
CMDSH2-4L TR	N/A
CMDZ1L8 BK	N/A
CMDZ1L8 TR	N/A
CMDZ10L BK	N/A
CMDZ10L TR	N/A
CMDZ10V BK	N/A
CMDZ10V TR	N/A

*** CONTINUED ***

DISCLAIMER: This End of Life (EOL) notification is in accordance with JEDEC standard JESD48 - Product Discontinuance. Central Semiconductor will make every effort to offer life-time buy (LTB) opportunities and/or offer replacement devices to existing customers for discontinued devices, however, one or both may not be possible for all devices. Please contact your local Central Semiconductor sales representative for LTB opportunities/additional information.



Product End of Life Notification

PDN ID:	PDN01277
Notification Date:	2/19/25
Last Buy Date:	8/19/25
Last Shipment Date	2/19/26

<https://www.centalsemi.com>

*** CONTINUED FROM PRIOR PAGE ***

* All Plating types (PBFREE,TIN/LEAD) for each item listed are included in this notice.

<u>Central Part Number</u>	<u>Suggested Replacement</u>
CMDZ11L BK	N/A
CMDZ11L TR	N/A
CMDZ11V BK	N/A
CMDZ11V TR	N/A
CMDZ12L BK	N/A
CMDZ12L TR	N/A
CMDZ12V BK	N/A
CMDZ12V TR	N/A
CMDZ13L BK	N/A
CMDZ13L TR	N/A
CMDZ13V BK	N/A
CMDZ13V TR	N/A
CMDZ15L BK	N/A
CMDZ15L TR	N/A
CMDZ15LD BK	N/A
CMDZ15LD TR	N/A
CMDZ15V BK	N/A
CMDZ15V TR	N/A
CMDZ16L BK	N/A
CMDZ16L TR	N/A
CMDZ16V BK	N/A
CMDZ16V TR	N/A
CMDZ18L BK	N/A
CMDZ18L TR	N/A
CMDZ18V BK	N/A
CMDZ18V TR	N/A
CMDZ2L0 BK	N/A
CMDZ2L0 TR	N/A
CMDZ2L2 BK	N/A
CMDZ2L2 TR	N/A
CMDZ2L4 BK	N/A
CMDZ2L4 TR	N/A
CMDZ2L5 BK	N/A
CMDZ2L5 TR	N/A
CMDZ2L7 BK	N/A
CMDZ2L7 TR	N/A
CMDZ2L8 BK	N/A
CMDZ2L8 TR	N/A
CMDZ2V4 BK	N/A
CMDZ2V4 TR	N/A
CMDZ2V6 BK	N/A
CMDZ2V6 TR	N/A
CMDZ2V7 BK	N/A

*** CONTINUED ***

DISCLAIMER: This End of Life (EOL) notification is in accordance with JEDEC standard JESD48 - Product Discontinuance. Central Semiconductor will make every effort to offer life-time buy (LTB) opportunities and/or offer replacement devices to existing customers for discontinued devices, however, one or both may not be possible for all devices. Please contact your local Central Semiconductor sales representative for LTB opportunities/additional information.



Product End of Life Notification

PDN ID:	PDN01277
Notification Date:	2/19/25
Last Buy Date:	8/19/25
Last Shipment Date	2/19/26

<https://www.centrasemi.com>

*** CONTINUED FROM PRIOR PAGE ***

* All Plating types (PBFREE,TIN/LEAD) for each item listed are included in this notice.

Central Part Number	Suggested Replacement
CMDZ2V7 TR	N/A
CMDZ20L BK	N/A
CMDZ20L TR	N/A
CMDZ20V BK	N/A
CMDZ20V TR	N/A
CMDZ22L BK	N/A
CMDZ22L TR	N/A
CMDZ22V BK	N/A
CMDZ22V TR	N/A
CMDZ24L BK	N/A
CMDZ24L TR	N/A
CMDZ24V BK	N/A
CMDZ24V TR	N/A
CMDZ27L BK	N/A
CMDZ27L TR	N/A
CMDZ27V BK	N/A
CMDZ27V TR	N/A
CMDZ3L0 BK	N/A
CMDZ3L0 TR	N/A
CMDZ3L3 BK	N/A
CMDZ3L3 TR	N/A
CMDZ3L6 BK	N/A
CMDZ3L6 TR	N/A
CMDZ3L9 BK	N/A
CMDZ3L9 TR	N/A
CMDZ3V0 BK	N/A
CMDZ3V0 TR	N/A
CMDZ3V3 BK	N/A
CMDZ3V3 TR	N/A
CMDZ3V6 BK	N/A
CMDZ3V6 TR	N/A
CMDZ3V9 BK	N/A
CMDZ3V9 TR	N/A
CMDZ30L BK	N/A
CMDZ30L TR	N/A
CMDZ30V BK	N/A
CMDZ30V TR	N/A
CMDZ33L BK	N/A
CMDZ33L TR	N/A
CMDZ33V BK	N/A
CMDZ33V TR	N/A
CMDZ36L BK	N/A
CMDZ36L TR	N/A

*** CONTINUED ***

DISCLAIMER: This End of Life (EOL) notification is in accordance with JEDEC standard JESD48 - Product Discontinuance. Central Semiconductor will make every effort to offer life-time buy (LTB) opportunities and/or offer replacement devices to existing customers for discontinued devices, however, one or both may not be possible for all devices. Please contact your local Central Semiconductor sales representative for LTB opportunities/additional information.



Product End of Life Notification

PDN ID:	PDN01277
Notification Date:	2/19/25
Last Buy Date:	8/19/25
Last Shipment Date	2/19/26

<https://www.centalsemi.com>

*** CONTINUED FROM PRIOR PAGE ***

* All Plating types (PBFREE,TIN/LEAD) for each item listed are included in this notice.

<u>Central Part Number</u>	<u>Suggested Replacement</u>
CMDZ36V BK	N/A
CMDZ36V TR	N/A
CMDZ39L BK	N/A
CMDZ39L TR	N/A
CMDZ39V BK	N/A
CMDZ39V TR	N/A
CMDZ4L3 BK	N/A
CMDZ4L3 TR	N/A
CMDZ4L7 BK	N/A
CMDZ4L7 TR	N/A
CMDZ4V3 BK	N/A
CMDZ4V3 TR	N/A
CMDZ4V7 BK	N/A
CMDZ4V7 TR	N/A
CMDZ43L BK	N/A
CMDZ43L TR	N/A
CMDZ43V BK	N/A
CMDZ43V TR	N/A
CMDZ47L BK	N/A
CMDZ47L TR	N/A
CMDZ47V BK	N/A
CMDZ47V TR	N/A
CMDZ5L1 BK	N/A
CMDZ5L1 TR	N/A
CMDZ5L6 BK	N/A
CMDZ5L6 TR	N/A
CMDZ5V1 BK	N/A
CMDZ5V1 TR	N/A
CMDZ5V6 BK	N/A
CMDZ5V6 TR	N/A
CMDZ5221B BK	N/A
CMDZ5221B TR	N/A
CMDZ5222B BK	N/A
CMDZ5222B TR	N/A
CMDZ5223B BK	N/A
CMDZ5223B TR	N/A
CMDZ5224B BK	N/A
CMDZ5224B TR	N/A
CMDZ5225B BK	N/A
CMDZ5225B TR	N/A
CMDZ5226B BK	N/A
CMDZ5226B TR	N/A
CMDZ5227B BK	N/A

*** CONTINUED ***

DISCLAIMER: This End of Life (EOL) notification is in accordance with JEDEC standard JESD48 - Product Discontinuance. Central Semiconductor will make every effort to offer life-time buy (LTB) opportunities and/or offer replacement devices to existing customers for discontinued devices, however, one or both may not be possible for all devices. Please contact your local Central Semiconductor sales representative for LTB opportunities/additional information.



Product End of Life Notification

PDN ID:	PDN01277
Notification Date:	2/19/25
Last Buy Date:	8/19/25
Last Shipment Date	2/19/26

<https://www.centalsemi.com>

*** CONTINUED FROM PRIOR PAGE ***

* All Plating types (PBFREE,TIN/LEAD) for each item listed are included in this notice.

Central Part Number	Suggested Replacement
CMDZ5227B TR	N/A
CMDZ5228B BK	N/A
CMDZ5228B TR	N/A
CMDZ5229B BK	N/A
CMDZ5229B TR	N/A
CMDZ5230B BK	N/A
CMDZ5230B TR	N/A
CMDZ5231B BK	N/A
CMDZ5231B TR	N/A
CMDZ5232B BK	N/A
CMDZ5232B TR	N/A
CMDZ5233B BK	N/A
CMDZ5233B TR	N/A
CMDZ5234B BK	N/A
CMDZ5234B TR	N/A
CMDZ5235B BK	N/A
CMDZ5235B TR	N/A
CMDZ5236B BK	N/A
CMDZ5236B TR	N/A
CMDZ5237B BK	N/A
CMDZ5237B TR	N/A
CMDZ5238B BK	N/A
CMDZ5238B TR	N/A
CMDZ5239B BK	N/A
CMDZ5239B TR	N/A
CMDZ5240B BK	N/A
CMDZ5240B TR	N/A
CMDZ5241B BK	N/A
CMDZ5241B TR	N/A
CMDZ5242B BK	N/A
CMDZ5242B TR	N/A
CMDZ5243B BK	N/A
CMDZ5243B TR	N/A
CMDZ5244B BK	N/A
CMDZ5244B TR	N/A
CMDZ5245B BK	N/A
CMDZ5245B TR	N/A
CMDZ5246B BK	N/A
CMDZ5246B TR	N/A
CMDZ5247B BK	N/A
CMDZ5247B TR	N/A
CMDZ5248B BK	N/A
CMDZ5248B TR	N/A

*** CONTINUED ***

DISCLAIMER: This End of Life (EOL) notification is in accordance with JEDEC standard JESD48 - Product Discontinuance. Central Semiconductor will make every effort to offer life-time buy (LTB) opportunities and/or offer replacement devices to existing customers for discontinued devices, however, one or both may not be possible for all devices. Please contact your local Central Semiconductor sales representative for LTB opportunities/additional information.



Product End of Life Notification

PDN ID:	PDN01277
Notification Date:	2/19/25
Last Buy Date:	8/19/25
Last Shipment Date	2/19/26

<https://www.centrasemi.com>

*** CONTINUED FROM PRIOR PAGE ***

* All Plating types (PBFREE,TIN/LEAD) for each item listed are included in this notice.

Central Part Number	Suggested Replacement
CMDZ5249B BK	N/A
CMDZ5249B TR	N/A
CMDZ5250B BK	N/A
CMDZ5250B TR	N/A
CMDZ5251B BK	N/A
CMDZ5251B TR	N/A
CMDZ5252B BK	N/A
CMDZ5252B TR	N/A
CMDZ5253B BK	N/A
CMDZ5253B TR	N/A
CMDZ5254B BK	N/A
CMDZ5254B TR	N/A
CMDZ5255B BK	N/A
CMDZ5255B TR	N/A
CMDZ5256B BK	N/A
CMDZ5256B TR	N/A
CMDZ5257B BK	N/A
CMDZ5257B TR	N/A
CMDZ5258B BK	N/A
CMDZ5258B TR	N/A
CMDZ5259B BK	N/A
CMDZ5259B TR	N/A
CMDZ5259B TR13	N/A
CMDZ5260B BK	N/A
CMDZ5260B TR	N/A
CMDZ5261B BK	N/A
CMDZ5261B TR	N/A
CMDZ6L2 BK	N/A
CMDZ6L2 TR	N/A
CMDZ6L8 BK	N/A
CMDZ6L8 TR	N/A
CMDZ6V2 BK	N/A
CMDZ6V2 TR	N/A
CMDZ6V8 BK	N/A
CMDZ6V8 TR	N/A
CMDZ7L5 BK	N/A
CMDZ7L5 TR	N/A
CMDZ7V5 BK	N/A
CMDZ7V5 TR	N/A
CMDZ8L2 BK	N/A
CMDZ8L2 TR	N/A
CMDZ8V2 BK	N/A
CMDZ8V2 TR	N/A

*** CONTINUED ***

DISCLAIMER: This End of Life (EOL) notification is in accordance with JEDEC standard JESD48 - Product Discontinuance. Central Semiconductor will make every effort to offer life-time buy (LTB) opportunities and/or offer replacement devices to existing customers for discontinued devices, however, one or both may not be possible for all devices. Please contact your local Central Semiconductor sales representative for LTB opportunities/additional information.



Product End of Life Notification

PDN ID:	PDN01277
Notification Date:	2/19/25
Last Buy Date:	8/19/25
Last Shipment Date	2/19/26

<https://www.centrasemi.com>

*** CONTINUED FROM PRIOR PAGE ***

*** All Plating types (PBFREE,TIN/LEAD) for each item listed are included in this notice.**

Central Part Number	Suggested Replacement
CMDZ9L1 BK	N/A
CMDZ9L1 TR	N/A
CMDZ9V1 BK	N/A
CMDZ9V1 TR	N/A
HCMDD2004 BK	N/A

Central would be happy to assist you by providing additional information or technical data to help locate an alternate source if we have no replacement available. If you would like assistance, please visit <https://my.centrasemi.com/submit-inquiry?type=ER> to submit an online inquiry.

DISCLAIMER: This End of Life (EOL) notification is in accordance with JEDEC standard JESD48 - Product Discontinuance. Central Semiconductor will make every effort to offer life-time buy (LTB) opportunities and/or offer replacement devices to existing customers for discontinued devices, however, one or both may not be possible for all devices. Please contact your local Central Semiconductor sales representative for LTB opportunities/additional information.

OUR CERTIFICATE

DiGi provide top-quality products and perfect service for customer worldwide through standardization, technological innovation and continuous improvement. DiGi through third-party certification, we strictly control the quality of products and services. Welcome your RFQ to

Email: Info@DiGi-Electronics.com



Tel: +00 852-30501935

RFQ Email: Info@DiGi-Electronics.com

DiGi is a global authorized distributor of electronic components.