

CT0603LSF-562J Datasheet

www.digi-electronics.com



| | |
|------------------------------|---------------------------------------|
| DiGi Electronics Part Number | CT0603LSF-562J-DG |
| Manufacturer | Central Technologies |
| Manufacturer Product Number | CT0603LSF-562J |
| Description | SMD FER CORE WIRE-WOUND INDUCTOR |
| Detailed Description | 5.6 μ H Wirewound Inductor 2.60hm |

<https://www.DiGi-Electronics.com>



Tel: +00 852-30501935

RFQ Email: Info@DiGi-Electronics.com

DiGi is a global authorized distributor of electronic components.

Purchase and inquiry

Manufacturer Product Number:

CT0603LSF-562J

Series:

ct0603lsf

Type:

Wirewound

Tolerance:

±5%

Frequency - Self Resonant:

65MHz

Mounting Type:

Surface Mount

Manufacturer:

Central Technologies

Product Status:

Active

Inductance:

5.6 μ H

DC Resistance (DCR):

2.6Ohm

Operating Temperature:

-40°C ~ 85°C

Environmental & Export classification

RoHS Status:

ROHS3 Compliant

REACH Status:

REACH info available upon request

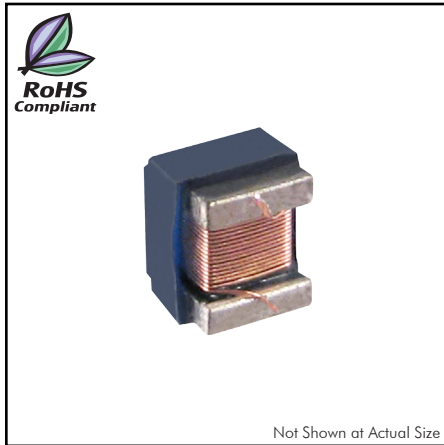
Moisture Sensitivity Level (MSL):

Vendor Undefined

SMD Wire-wound Chip Inductors

CT0603LSF Series

From 47 nH to 10000 nH



SPECIFICATIONS

Please specify tolerance code when ordering.
 CT0603LSF-471_ ← J = ±5%, K = ±10%

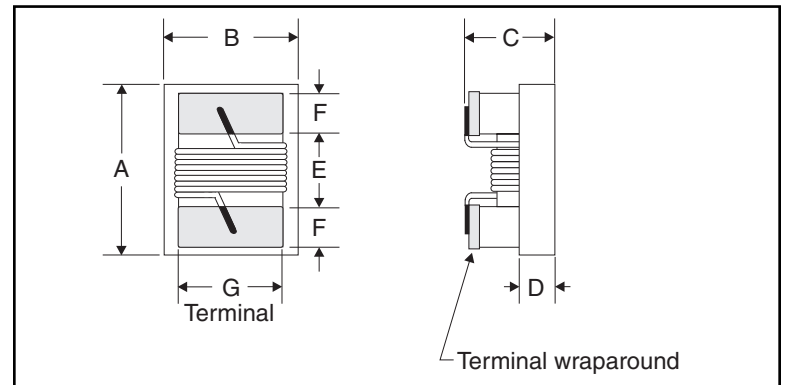
| Part Number | Inductance (nH) | L Test Freq. (MHz) | Q Fact. Min. | Q Test Freq. (MHz) | SRF Min. (MHz) | DCR Max. (Ω) | IDC Max. (mA) |
|----------------|-----------------|--------------------|--------------|--------------------|----------------|--------------|---------------|
| CT0603LSF-47N_ | 47 | 7.9 | 17 | 7.9 | 1700 | 0.075 | 1500 |
| CT0603LSF-72N_ | 72 | 7.9 | 17 | 7.9 | 1700 | 0.12 | 1500 |
| CT0603LSF-101_ | 100 | 7.9 | 17 | 7.9 | 1650 | 0.13 | 1500 |
| CT0603LSF-121_ | 120 | 7.9 | 17 | 7.9 | 1400 | 0.15 | 1500 |
| CT0603LSF-151_ | 150 | 7.9 | 17 | 7.9 | 1350 | 0.15 | 1450 |
| CT0603LSF-181_ | 180 | 7.9 | 17 | 7.9 | 1150 | 0.15 | 1400 |
| CT0603LSF-221_ | 220 | 7.9 | 17 | 7.9 | 1150 | 0.16 | 1350 |
| CT0603LSF-241_ | 240 | 7.9 | 17 | 7.9 | 1050 | 0.19 | 1300 |
| CT0603LSF-271_ | 270 | 7.9 | 17 | 7.9 | 1050 | 0.30 | 1050 |
| CT0603LSF-331_ | 330 | 7.9 | 17 | 7.9 | 850 | 0.46 | 1200 |
| CT0603LSF-391_ | 390 | 7.9 | 17 | 7.9 | 810 | 0.51 | 1200 |
| CT0603LSF-471_ | 470 | 7.9 | 17 | 7.9 | 720 | 0.62 | 1050 |
| CT0603LSF-561_ | 560 | 7.9 | 17 | 7.9 | 600 | 0.44 | 850 |
| CT0603LSF-681_ | 680 | 7.9 | 17 | 7.9 | 600 | 0.52 | 850 |
| CT0603LSF-781_ | 780 | 7.9 | 17 | 7.9 | 540 | 0.83 | 850 |
| CT0603LSF-821_ | 820 | 7.9 | 17 | 7.9 | 480 | 0.69 | 750 |
| CT0603LSF-102_ | 1000 | 7.9 | 18 | 7.9 | 310 | 0.81 | 600 |
| CT0603LSF-122_ | 1200 | 7.9 | 17 | 7.9 | 270 | 0.87 | 550 |
| CT0603LSF-152_ | 1500 | 7.9 | 17 | 7.9 | 270 | 1.06 | 540 |
| CT0603LSF-182_ | 1800 | 7.9 | 17 | 7.9 | 230 | 1.10 | 520 |
| CT0603LSF-222_ | 2200 | 7.9 | 17 | 7.9 | 150 | 1.20 | 500 |
| CT0603LSF-272_ | 2700 | 7.9 | 17 | 7.9 | 105 | 1.50 | 480 |
| CT0603LSF-332_ | 3300 | 7.9 | 17 | 7.9 | 84 | 1.50 | 440 |
| CT0603LSF-392_ | 3900 | 7.9 | 17 | 7.9 | 80 | 1.60 | 430 |
| CT0603LSF-472_ | 4700 | 7.9 | 18 | 7.9 | 69 | 2.10 | 420 |
| CT0603LSF-562_ | 5600 | 7.9 | 18 | 7.9 | 65 | 2.60 | 400 |
| CT0603LSF-682_ | 6800 | 7.9 | 19 | 7.9 | 55 | 3.10 | 400 |
| CT0603LSF-782_ | 7800 | 7.9 | 17 | 7.9 | 47 | 3.50 | 400 |
| CT0603LSF-822_ | 8200 | 7.9 | 17 | 7.9 | 42 | 3.60 | 400 |
| CT0603LSF-103_ | 10000 | 7.9 | 19 | 7.9 | 40 | 4.80 | 300 |

CHARACTERISTICS

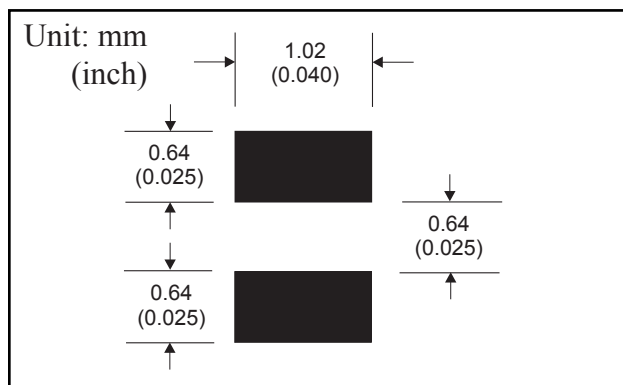
- Description:** SMD ferrite core wire-wound chip inductor.
- Applications:** LC resonant circuits such as oscillator and signal generators, impedance matching, circuit isolation, RF filters, disk drives and computer peripherals, audio and video equipment, TV, radio and telecommunication equipment.
- Operating Temperature:** -25°C to 105°C (including self-temperature rise)
- Inductance Tolerance:** ±5%, ±10%
- Testing:** Inductance and Q are tested on an HP4286A at specified frequency.
- Packaging:** Tape & Reel, 4000 parts per reel
- Miscellaneous:** RoHS Compliant.
- Marking:** Parts are marked with inductance code
- Additional Information:** Additional electrical & physical information available upon request.
- Samples available. See website for ordering information.**

PHYSICAL DIMENSIONS

| Size | A Max. | B Max. | C Max. | D Ref. | E | F | G |
|--------|--------|--------|--------|--------|-------|-------|-------|
| mm | 1.8 | 1.25 | 1.02 | 0.38 | 0.86 | 0.33 | 0.76 |
| inches | 0.071 | 0.049 | 0.040 | 0.015 | 0.034 | 0.013 | 0.030 |



PAD LAYOUT



OUR CERTIFICATE

DiGi provide top-quality products and perfect service for customer worldwide through standardization, technological innovation and continuous improvement. DiGi through third-party certification, we stricly control the quality of products and services. Welcome your RFQ to

Email: Info@DiGi-Electronics.com



Tel: +00 852-30501935

RFQ Email: Info@DiGi-Electronics.com

DiGi is a global authorized distributor of electronic components.