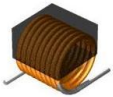


CT1812SMSF-33NK Datasheet

www.digi-electronics.com



DiGi Electronics Part Number	CT1812SMSF-33NK-DG
Manufacturer	Central Technologies
Manufacturer Product Number	CT1812SMSF-33NK
Description	SMD AIR CORE INDUCTOR
Detailed Description	33 nH Wirewound Inductor 5.7mOhm

<https://www.DiGi-Electronics.com>



Tel: +00 852-30501935

RFQ Email: Info@DiGi-Electronics.com

DiGi is a global authorized distributor of electronic components.

Purchase and inquiry

Manufacturer Product Number:

CT1812SMSF-33NK

Series:

ct1812smsf

Type:

Wirewound

Tolerance:

±10%

Frequency - Self Resonant:

2.5MHz

Mounting Type:

Surface Mount

Manufacturer:

Central Technologies

Product Status:

Active

Inductance:

33 nH

DC Resistance (DCR):

5.7mOhm

Operating Temperature:

-40°C ~ 85°C

Environmental & Export classification

RoHS Status:

ROHS3 Compliant

REACH Status:

REACH info available upon request

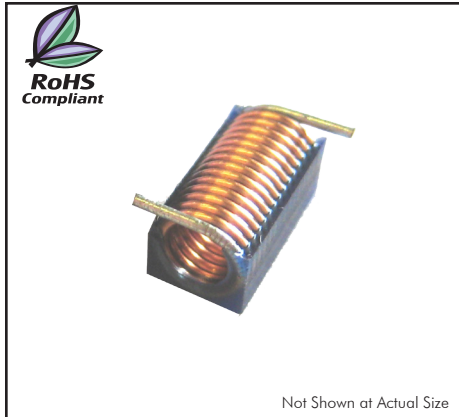
Moisture Sensitivity Level (MSL):

Vendor Undefined

Wire-wound Chip Inductors - Open Wound

CT1812SMSF Series

From 22 nH to 120 nH



CHARACTERISTICS

- Description:** SMD air core inductor
Applications: Pagers, cordless phones, high frequency communication products, intercom, CATV
Inductance Tolerance: $\pm 5\%$, $\pm 10\%$
Testing: Inductance is tested on an HP4287A at 150MHz
Operating Temperature: -40°C to $+85^{\circ}\text{C}$
Packaging: Tape & Reel
Miscellaneous: **RoHS Compliant.**
Additional Information: Additional electrical & physical information available upon request
Samples available. See website for ordering information.

SPECIFICATIONS

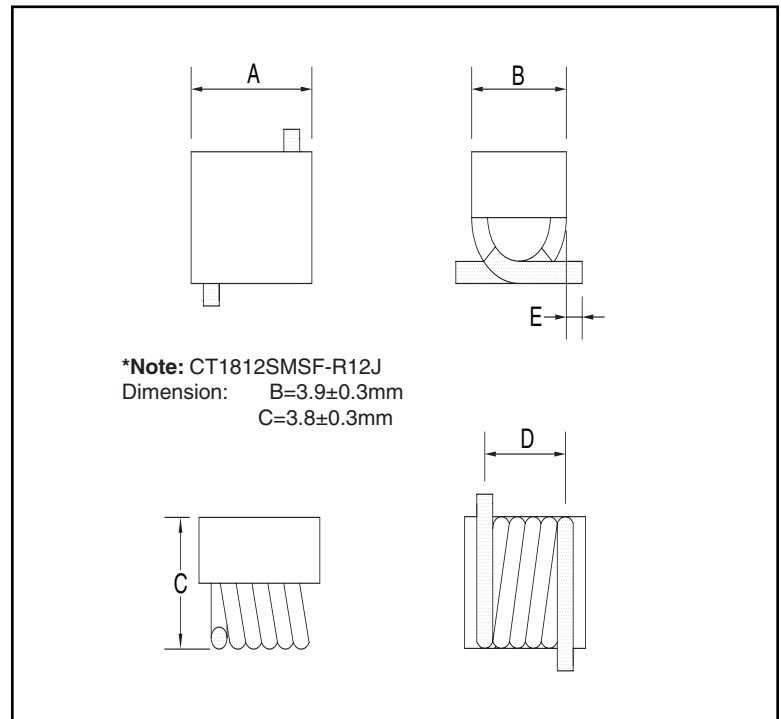
Part numbers indicate available tolerance.

J = $\pm 5\%$, K = $\pm 10\%$

Part Number	Inductance (nH)	Q Min.	Test Freq. (MHz)	SRF Min. (GHz)	DCR Typ. (m Ω)	IDC Max. (A)
CT1812SMSF-22NK	22	100	150	3.20	4.7	3.2
CT1812SMSF-27NK	27	100	150	2.70	4.4	3.5
CT1812SMSF-33NK	33	100	150	2.50	5.7	3.0
CT1812SMSF-39NJ	39	100	150	2.10	5.4	2.8
CT1812SMSF-47NJ	47	100	150	2.10	6.7	2.8
CT1812SMSF-56NJ	56	100	150	1.50	6.3	2.9
CT1812SMSF-68NJ	68	100	150	1.50	7.8	2.9
CT1812SMSF-82NJ	82	100	150	1.30	8.7	2.6
CT1812SMSF-R10J	100	100	150	1.20	9.8	2.5
CT1812SMSF-R12J	120	100	150	1.10	10.7	2.2

PHYSICAL DIMENSIONS

Size	A	*B	*C	D	E
mm	4.7 \pm 0.3	3.5 \pm 0.2	3.5 \pm 0.2	4.3 \pm 0.4	1.0 \pm 0.3
inches	0.185 \pm 0.012	0.138 \pm 0.008	0.138 \pm 0.008	0.169 \pm 0.016	0.039 \pm 0.012



OUR CERTIFICATE

DiGi provide top-quality products and perfect service for customer worldwide through standardization, technological innovation and continuous improvement. DiGi through third-party certification, we strictly control the quality of products and services. Welcome your RFQ to

Email: Info@DiGi-Electronics.com



Tel: +00 852-30501935

RFQ Email: Info@DiGi-Electronics.com

DiGi is a global authorized distributor of electronic components.