

# CTEP105HF-R50M Datasheet

[www.digi-electronics.com](http://www.digi-electronics.com)



DiGi Electronics Part Number	CTEP105HF-R50M-DG
Manufacturer	<a href="#">Central Technologies</a>
Manufacturer Product Number	CTEP105HF-R50M
Description	0.50UH SMD SHLDED POWER INDUCTOR
Detailed Description	500 nH Shielded Wirewound Inductor 15 A 4.1mOhm Max Nonstandard

<https://www.DiGi-Electronics.com>



Tel: +00 852-30501935

RFQ Email: [Info@DiGi-Electronics.com](mailto:Info@DiGi-Electronics.com)

DiGi is a global authorized distributor of electronic components.

## Purchase and inquiry

Manufacturer Product Number:

CTEP105HF-R50M

Series:

CTEP105HF

Type:

Wirewound

Inductance:

500 nH

Current Rating (Amps):

15 A

Shielding:

Shielded

Q @ Freq:

-

Ratings:

-

Inductance Frequency - Test:

100 kHz

Mounting Type:

Surface Mount

Supplier Device Package:

-

Height - Seated (Max):

0.220" (5.60mm)

Manufacturer:

Central Technologies

Product Status:

Active

Material - Core:

-

Tolerance:

±20%

Current - Saturation (Isat):

30.4A

DC Resistance (DCR):

4.1mOhm Max

Frequency - Self Resonant:

-

Operating Temperature:

-30°C ~ 100°C

Features:

-

Package / Case:

Nonstandard

Size / Dimension:

0.409" L x 0.409" W (10.40mm x 10.40mm)

## Environmental & Export classification

RoHS Status:

ROHS3 Compliant

REACH Status:

REACH info available upon request

Moisture Sensitivity Level (MSL):

Vendor Undefined

# Power Inductors - Shielded

## CTEP105HF Series From 0.15 $\mu\text{H}$ to 3.0 $\mu\text{H}$



### CHARACTERISTICS

**Description:** SMD Shielded Power Inductor

**Applications:** LCD Television sets, Notebooks, PCs, Portable Communication equipment, DC/DC Converters, etc.

**Operating Temperature:** -30°C to +100°C (includes temperature when the coil is heated)

**Saturation Current:** This indicates the value of current when the inductance is 25% lower than it's initial value at D.C. superposition or D.C. current.

**Temperature Current:** To load onto the components under normal ambience, which cause the temperature change as  $\Delta T=40^\circ\text{C}$  or more lower current.

**Inductance Tolerance:**  $\pm 20\%$ ,  $\pm 30\%$

**Testing:** Inductance is tested on an HP4285A at 100KHz.

**Packaging:** Tape and Reel.

**Marking:** Parts are marked with inductance code.

**Miscellaneous:** **RoHS Compliant.**

**Additional Information:** Additional electrical & physical information available upon request.

**Samples available. See website for ordering information.**

### SPECIFICATIONS

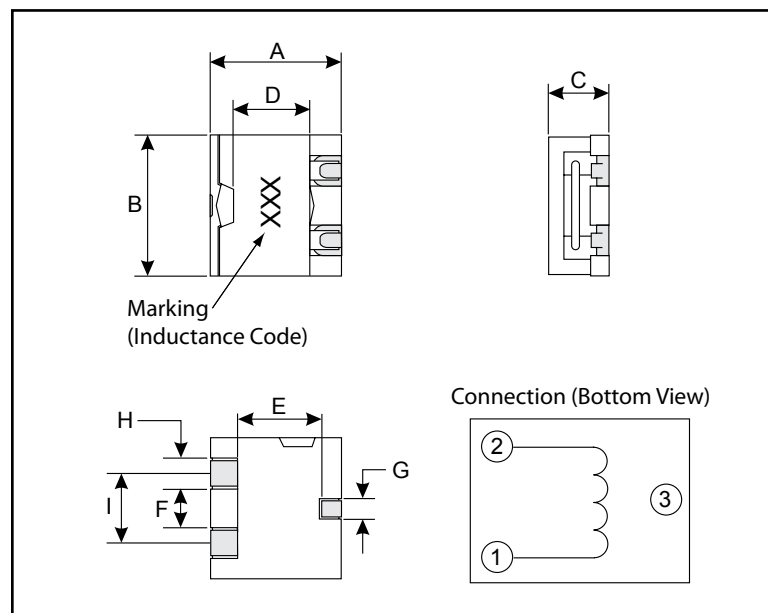
Part numbers indicate inductance tolerance available.

M =  $\pm 20\%$ , N =  $\pm 30\%$

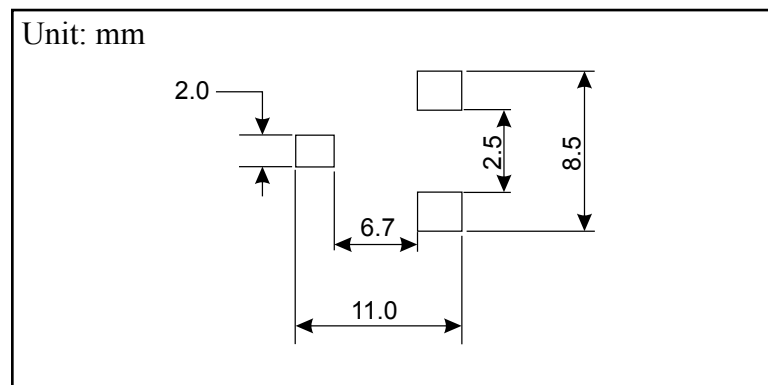
Part Number	Inductance ( $\mu\text{H}$ )	L Test Freq. (KHz)	DCR Max. (m $\Omega$ )	Saturation Current (A)	Temperature Current (A)
CTEP105HF-R15N	0.15	100	2.6	55.0	20.0
CTEP105HF-R30N	0.30	100	3.2	40.0	18.8
CTEP105HF-R50M	0.50	100	4.1	30.4	15.0
CTEP105HF-R80M	0.80	100	5.3	25.2	13.5
CTEP105HF-1R2M	1.20	100	8.0	21.0	11.0
CTEP105HF-1R5M	1.50	100	10.5	18.0	8.50
CTEP105HF-2R0M	2.00	100	12.4	15.8	8.00
CTEP105HF-2R5M	2.50	100	18.0	14.0	7.80
CTEP105HF-3R0M	3.00	100	23.8	12.6	7.20

### PHYSICAL DIMENSIONS

Size	A	B	C	D	E	F	G	H	I
	Max.	Max.	Max.	Ref.	Ref.	Ref.	Ref.	Ref.	Ref.
mm	10.4	10.4	5.6	5.5	6.7	2.6	1.4	2.6	5.5
inches	0.41	0.41	0.22	0.216	0.26	0.10	0.05	0.10	0.216



### PAD LAYOUT



## OUR CERTIFICATE

DiGi provide top-quality products and perfect service for customer worldwide through standardization, technological innovation and continuous improvement. DiGi through third-party certification, we stricly control the quality of products and services. Welcome your RFQ to

Email: [Info@DiGi-Electronics.com](mailto:Info@DiGi-Electronics.com)



Tel: +00 852-30501935

RFQ Email: [Info@DiGi-Electronics.com](mailto:Info@DiGi-Electronics.com)

DiGi is a global authorized distributor of electronic components.