

# CTSLF0732TF-100M Datasheet

[www.digi-electronics.com](http://www.digi-electronics.com)



<https://www.DiGi-Electronics.com>

DiGi Electronics Part Number	CTSLF0732TF-100M-DG
Manufacturer	<a href="#">Central Technologies</a>
Manufacturer Product Number	CTSLF0732TF-100M
Description	10UH SMD SHLDED POWER INDUCTOR
Detailed Description	10 $\mu$ H Shielded Inductor 1.4 A 53mOhm Nonstandard



Tel: +00 852-30501935

RFQ Email: [Info@DiGi-Electronics.com](mailto:Info@DiGi-Electronics.com)

DiGi is a global authorized distributor of electronic components.

## Purchase and inquiry

Manufacturer Product Number:

CTSLF0732TF-100M

Series:

CTSLF0732TF

Type:

-

Inductance:

10  $\mu$ H

Current Rating (Amps):

1.4 A

Shielding:

Shielded

Q @ Freq:

-

Ratings:

-

Inductance Frequency - Test:

1 kHz

Mounting Type:

Surface Mount

Supplier Device Package:

-

Height - Seated (Max):

0.134" (3.40mm)

Manufacturer:

Central Technologies

Product Status:

Active

Material - Core:

-

Tolerance:

$\pm$ 20%

Current - Saturation (Isat):

-

DC Resistance (DCR):

53mOhm

Frequency - Self Resonant:

-

Operating Temperature:

-40°C ~ 85°C

Features:

-

Package / Case:

Nonstandard

Size / Dimension:

0.276" L x 0.276" W (7.00mm x 7.00mm)

## Environmental & Export classification

RoHS Status:

ROHS3 Compliant

REACH Status:

REACH info available upon request

Moisture Sensitivity Level (MSL):

Vendor Undefined

# Power Inductors - Shielded

## CTSLF0732TF Series

From 3.3µH to 1,000µH



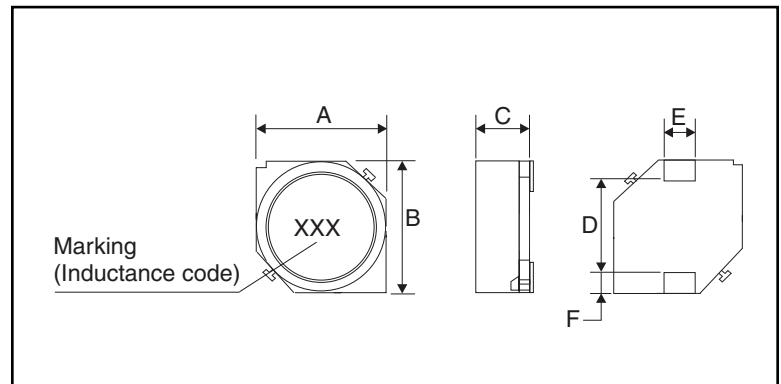
### SPECIFICATIONS

Parts are available in ±20% inductance tolerance only.

Part Number	Inductance (µH)	L Test Freq. (kHz)	DCR ±20% (Ω)	Rated DC (A)
CTSLF0732TF-3R3M	3.3	1.0	0.023	1.90
CTSLF0732TF-4R7M	4.7	1.0	0.036	1.70
CTSLF0732TF-6R8M	6.8	1.0	0.041	1.60
CTSLF0732TF-100M	10	1.0	0.053	1.40
CTSLF0732TF-150M	15	1.0	0.075	1.10
CTSLF0732TF-220M	22	1.0	0.110	0.96
CTSLF0732TF-330M	33	1.0	0.160	0.75
CTSLF0732TF-470M	47	1.0	0.240	0.67
CTSLF0732TF-680M	68	1.0	0.310	0.59
CTSLF0732TF-101M	100	1.0	0.450	0.45
CTSLF0732TF-151M	150	1.0	0.650	0.37
CTSLF0732TF-221M	220	1.0	1.050	0.29
CTSLF0732TF-331M	330	1.0	1.670	0.22
CTSLF0732TF-471M	470	1.0	2.050	0.20
CTSLF0732TF-681M	680	1.0	3.150	0.16
CTSLF0732TF-102M	1000	1.0	4.780	0.13

### PHYSICAL DIMENSIONS

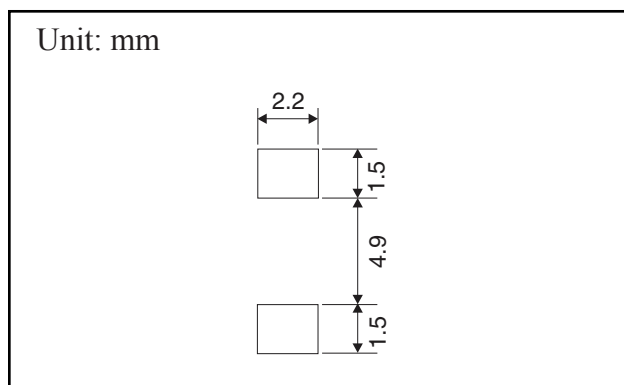
Size	A	B	C	D	E	F
mm	7±0.2	7±0.2	3.2±0.2	4.9±0.2	2.0±0.2	0.9±0.2
inches	0.276±0.008	0.276±0.008	0.126±0.008	0.193±0.008	0.079±0.008	0.035±0.008



### CHARACTERISTICS

- Description:** SMD (shielded) power inductor
- Applications:** For power source circuits, low profile type DC to DC converters, DC to AC inverters, etc.
- Operating Temperature:** -40°C to 125°C (including self - temperature rise)
- Inductance Tolerance:** ±20%
- Testing:** Inductance is tested on a HP4284A at 1.0kHz, 0.5V
- Rated Current:** Value obtained when DC current flows and the initial value of inductance has fallen by 10%
- Packaging:** Tape & Reel
- Marking:** Parts are marked with inductance code
- Miscellaneous:** RoHS Compliant. Magnetically shielded
- Additional Information:** Additional electrical & physical informational available upon request

### PAD LAYOUT



## OUR CERTIFICATE

DiGi provide top-quality products and perfect service for customer worldwide through standardization, technological innovation and continuous improvement. DiGi through third-party certification, we stricly control the quality of products and services. Welcome your RFQ to

Email: [Info@DiGi-Electronics.com](mailto:Info@DiGi-Electronics.com)



Tel: +00 852-30501935

RFQ Email: [Info@DiGi-Electronics.com](mailto:Info@DiGi-Electronics.com)

DiGi is a global authorized distributor of electronic components.