

# 21004311-01 Datasheet

[www.digi-electronics.com](http://www.digi-electronics.com)



<https://www.DiGi-Electronics.com>

|                              |  |
|------------------------------|--|
| DiGi Electronics Part Number | 21004311-01-DG   |
| Manufacturer                 | <a href="#">Chogori Technologies Inc.</a>                      |
| Manufacturer Product Number  | 21004311-01  |
| Description                  | CONN RCPT MALE 4POS SOLDER CUP                                 |
| Detailed Description         | 4 Position Circular Connector Receptacle, Male Pins Solder Cup |

This model 21004311-01 is available at DiGi Electronics.

DiGi Electronics offers a global database of semiconductor and electronic component datasheets.

We welcome your inquiries regarding pricing, lead time, or other product-related questions.

 [Request a Quote](#)

 [Datasheet Search](#)



Tel: +00 852-30501935

RFQ Email: [Info@DiGi-Electronics.com](mailto:Info@DiGi-Electronics.com)

DiGi is a global authorized distributor of electronic components.

## Purchase and inquiry

**Manufacturer Product Number:**

21004311-01

**Series:**

MINI

**Connector Type:**

Receptacle, Male Pins

**Shell Size - Insert:**

-

**Mounting Type:**

Free Hanging (In-Line)

**Termination:**

Solder Cup

**Orientation:**

Keyed

**Shell Material:**

Polyamide (PA66), Nylon 6/6

**Contact Finish - Mating:**

Gold

**Ingress Protection:**

IP67/IP68 - Dust Tight, Waterproof

**Features:**

Backshell

**Current Rating (Amps):**

5A

**Cable Opening:**

0.138" ~ 0.268" (3.50mm ~ 6.80mm)

**Backshell Material, Plating:**

Polyamide (PA66), Nylon 6/6

**Contact Finish Thickness - Mating:**

-

**Applications:**

Communication Systems, Industrial, Lighting, Medical

**Manufacturer:**

Chogori Technologies Inc.

**Product Status:**

Active

**Number of Positions:**

4

**Shell Size, MIL:**

-

**Mounting Feature:**

-

**Fastening Type:**

Threaded

**Primary Material:**

Plastic

**Shell Finish:**

-

**Color:**

Black

**Material Flammability Rating:**

-

**Shielding:**

Unshielded

**Voltage Rating:**

110V

**Operating Temperature:**

-45°C ~ 105°C

**Contact Material:**

Brass, Phosphor Bronze

**Insert Material:**

Polyamide (PA66), Nylon 6/6

## Environmental & Export classification

**RoHS Status:**

ROHS3 Compliant

**REACH Status:**

REACH Unaffected

**HTSUS:**

8536.69.4020

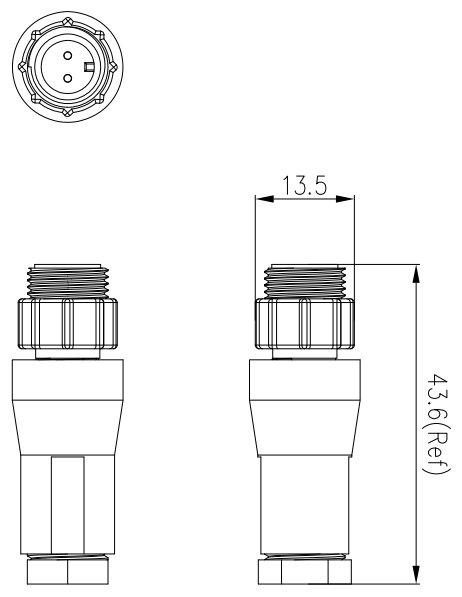
**Moisture Sensitivity Level (MSL):**

1 (Unlimited)

**ECCN:**

EAR99

| REV. | ECN NO. | DESCRIPTION     | SIGN    | DATE       |
|------|---------|-----------------|---------|------------|
| C1   | N/A     | INITIAL DRAWING | Victory | 2019/08/22 |
|      |         |                 |         |            |

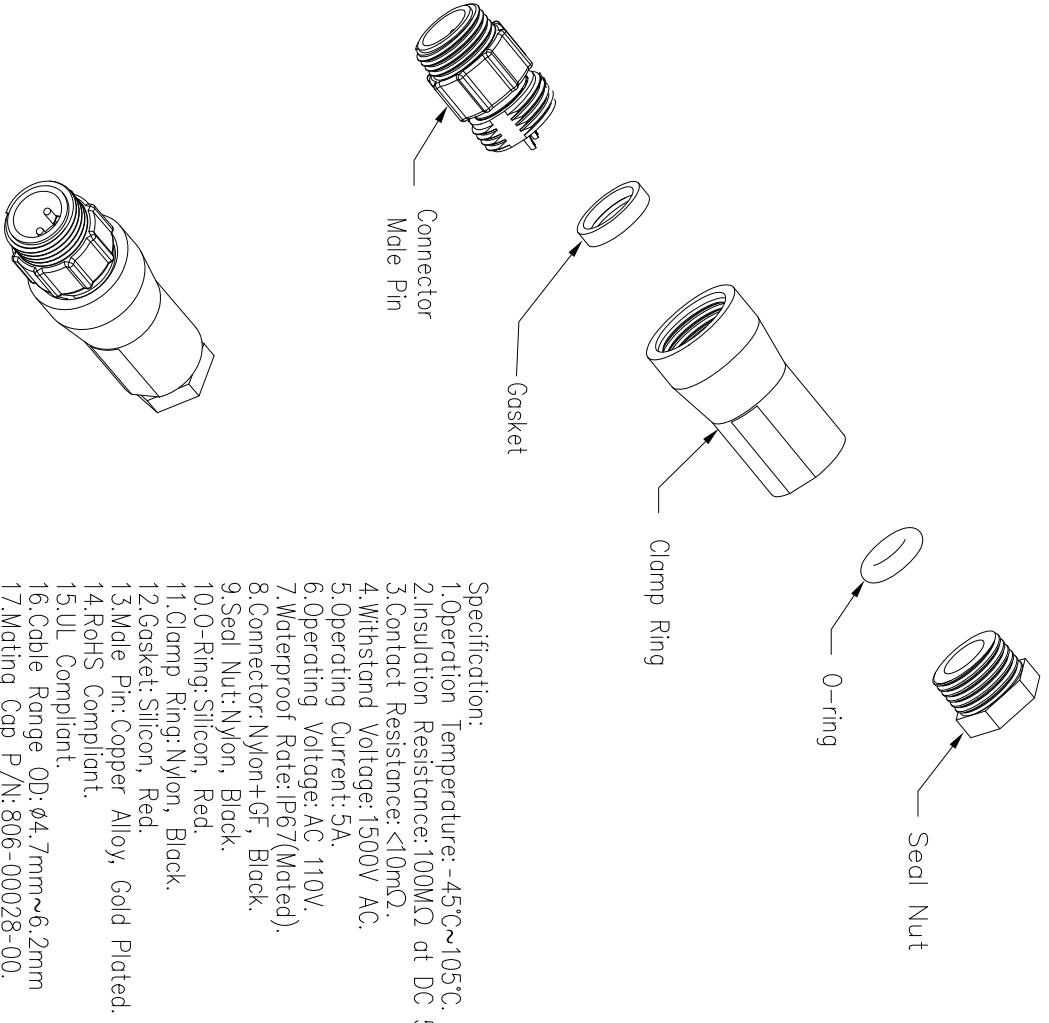


|       |                  |                  |                  |
|-------|------------------|------------------|------------------|
| 2 Pin | P/N: 21002311-01 | P/N: 21003311-01 | P/N: 21004311-01 |
| 3 Pin |                  |                  |                  |
| 4 Pin |                  |                  |                  |

Pin Assignments Front View

21XXX311-01  
Pin Number

|           |       |                    |   |
|-----------|-------|--------------------|---|
| UNIT: mm  |       | DESCRIPTION        | Mini Series Screw Type<br>Female Plug With Male Pin |
| TOLERANCE |       | SCALE:             | 1:1   |
| .X        | ±0.25 | REV:               | C1  |
| .XX       | ±0.15 | SIZE               | A4  |
| .XXX      | ±0.05 | SHEET              | 1 OF 1  |
| ANGLES    | ±1°   | *: Inspection Item |   |



- Specification:
1. Operation Temperature: -45°C~105°C.
  2. Insulation Resistance: 100MΩ at DC 500V.
  3. Contact Resistance: <10mΩ.
  4. Withstand Voltage: 1500V AC.
  5. Operating Current: 5A.
  6. Operating Voltage: AC 110V.
  7. Waterproof Rate: IP67(Mated).
  8. Connector: Nylon+GF, Black.
  9. Seal Nut: Nylon, Black.
  10. O-Ring: Silicon, Red.
  11. Clamp Ring: Nylon, Black.
  12. Gasket: Silicon, Red.
  13. Male Pin: Copper Alloy, Gold Plated.
  14. RoHS Compliant.
  15. UL Compliant.
  16. Cable Range OD: φ4.7mm~6.2mm
  17. Mating Cap P/N: 806-00028-00.

**CHOGORI**

|          |             |             |         |      |            |
|----------|-------------|-------------|---------|------|------------|
| PART NO  | 21XXX311-01 | DRAWN BY    | Victory | DATE | 2019/08/22 |
| DWG NO   |             | CHECKED BY  | Ivan    | DATE | 2019/08/22 |
| CUSTOMER |             | APPROVED BY | Ponson  | DATE | 2019/08/22 |

## OUR CERTIFICATE

DiGi provide top-quality products and perfect service for customer worldwide through standardization, technological innovation and continuous improvement. DiGi through third-party certification, we stricly control the quality of products and services. Welcome your RFQ to

Email: [Info@DiGi-Electronics.com](mailto:Info@DiGi-Electronics.com)



Tel: +00 852-30501935

RFQ Email: [Info@DiGi-Electronics.com](mailto:Info@DiGi-Electronics.com)

DiGi is a global authorized distributor of electronic components.