

HCM494000000ABJT Datasheet

www.digi-electronics.com



<https://www.DiGi-Electronics.com>

DiGi Electronics Part Number	HCM494000000ABJT-DG
Manufacturer	Citizen Finedevice Co Ltd
Manufacturer Product Number	HCM494000000ABJT
Description	CRYSTAL 4.0000MHZ 18PF SMD
Detailed Description	4 MHz ±30ppm Crystal 18pF 150 Ohms HC-49/US

This model HCM494000000ABJT is available at DiGi Electronics.

DiGi Electronics offers a global database of semiconductor and electronic component datasheets.

We welcome your inquiries regarding pricing, lead time, or other product-related questions.

 [Request a Quote](#)

 [Datasheet Search](#)



Tel: +00 852-30501935

RFQ Email: Info@DiGi-Electronics.com

DiGi is a global authorized distributor of electronic components.

Purchase and inquiry

Manufacturer Product Number:

HCM494000000ABJT

Series:

HCM49

Type:

MHz Crystal

Frequency Stability:

±50ppm

Load Capacitance:

18pF

Operating Mode:

Fundamental

Ratings:

-

Package / Case:

HC-49/US

Height - Seated (Max):

0.169" (4.30mm)

Manufacturer:

Citizen Finedevice Co Ltd

Product Status:

Active

Frequency:

4 MHz

Frequency Tolerance:

±30ppm

ESR (Equivalent Series Resistance):

150 Ohms

Operating Temperature:

-10°C ~ 60°C

Mounting Type:

Surface Mount

Size / Dimension:

0.449" L x 0.185" W (11.40mm x 4.70mm)

Environmental & Export classification

RoHS Status:

ROHS3 Compliant

REACH Status:

REACH Unaffected

HTSUS:

8541.60.0030

Moisture Sensitivity Level (MSL):

1 (Unlimited)

ECCN:

EAR99

AT-CUT CRYSTAL UNIT (SMD · Metal-can Type)

RoHS compliant

HCM49

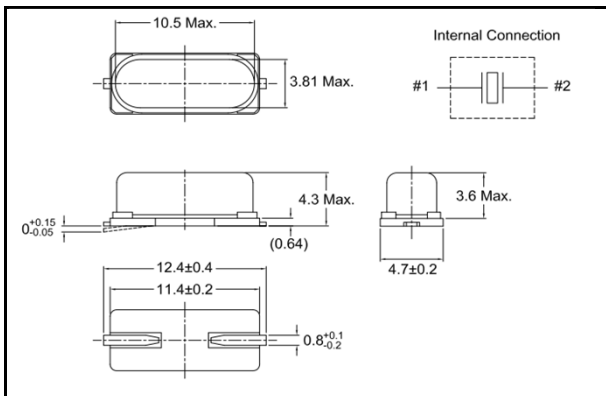
1,000pcs/reel



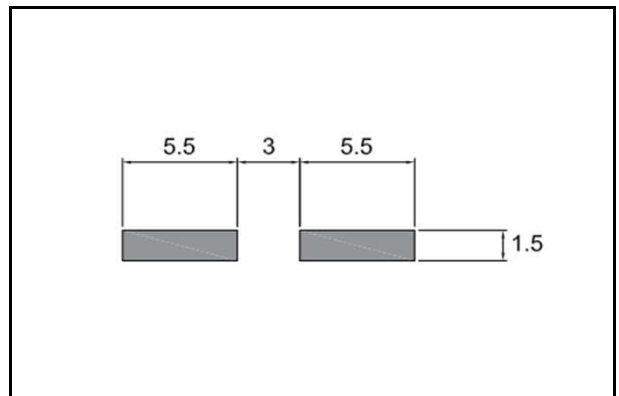
FEATURES

- Frequency range : 3.5 ~ 50.0MHz
- External dimensions (mm)
L : 11.4 x W : 4.7 x H : 4.3
- Applications
Consumer products

DIMENSION [mm]



SOLDER PAD LAYOUT [mm]



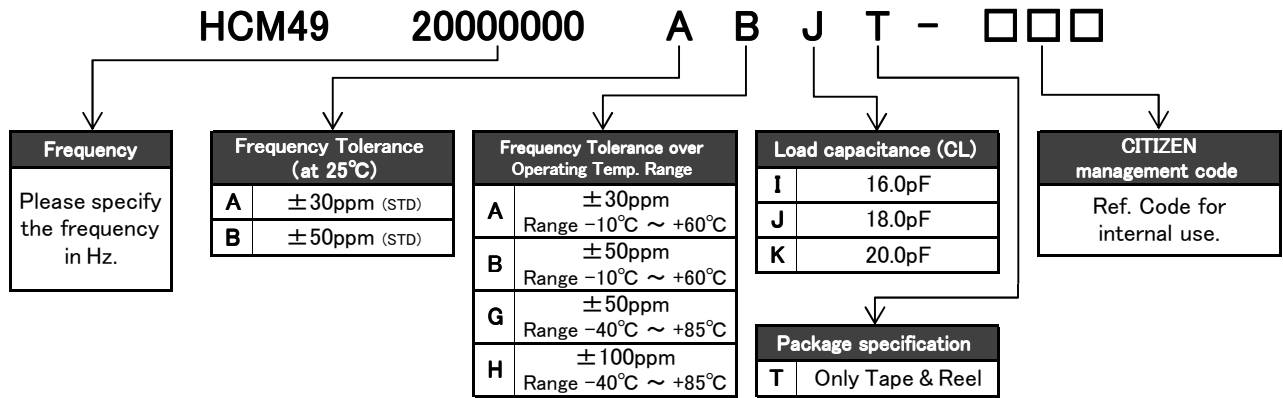
STANDARD SPECIFICATIONS

Item	Model	HCM49	Conditions
Nominal Frequency	f_0	3.5MHz ~ 30.0MHz (Fundamental) 30.0MHz ~ 50.0MHz (3rd Overtone)	Please contact us for frequencies available
Frequency Tolerance	$\Delta f/f_0$	±30ppm	at 25°C
Frequency Tolerance over Operating Temperature Range	$\Delta f/f_0$	below 6.0MHz: ±50ppm above 6.0MHz: ±30ppm	-10°C ~ +60°C
Operating Temperature Range	T_{OPR}	-40°C ~ +85°C	
Storage Temperature Range	T_{STR}	-55°C ~ +125°C	
Motional (series) resistance	R_1	Refer to the following table	at 25°C
Load capacitance	C_L	Fundamental: 10.0pF ~ ∞ 3rd Overtone: 5.0pF ~ ∞	Please specify your requirement
Shunt capacitance	C_0	7.0pF Max.	
Level of drive	D_L	100 μW	
Insulation Resistance	I_R	500MΩ Min.	DC100V ± 15V
Aging (first year)	$\Delta f/f_0$	±5ppm Max.	25°C ± 3°C

MOTIONAL (SERIES) RESISTANCE (R1)

Freq. Range (MHz)	$3.5 \leq f_0 < 4.0$	$4.0 \leq f_0 < 6.0$	$6.0 \leq f_0 < 10.0$	$10.0 \leq f_0 < 14.0$	$14.0 \leq f_0 < 30.0$	$30.0 \leq f_0 < 36.0$	$36.0 \leq f_0 \leq 50.0$
Mode	Fundamental	Fundamental	Fundamental	Fundamental	Fundamental	3rd Overtone	3rd Overtone
R_1	200Ω Max.	150Ω Max.	100Ω Max.	80Ω Max.	50Ω Max.	140Ω Max.	100Ω Max.

PART NUMBERING SYSTEM



*Please contact us for specifications available.

Part Marking [standard]

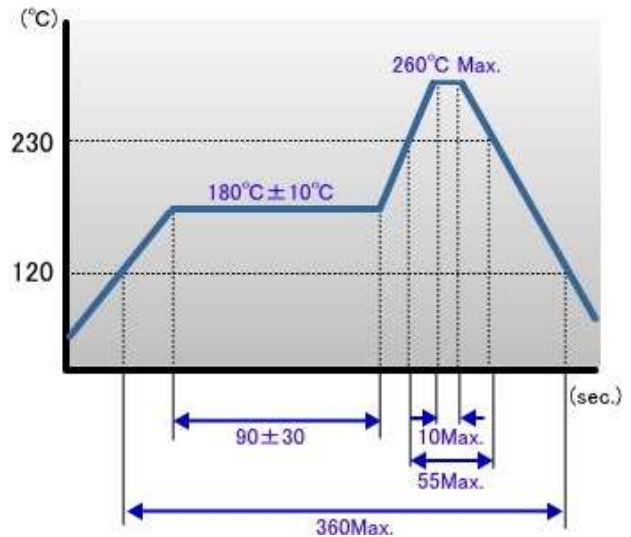


- f : The first 4 digits of Frequency including the decimal point
- C : Manufacture's ID Code
- y : The last digit of production year
- m : Production month (See Table.1)

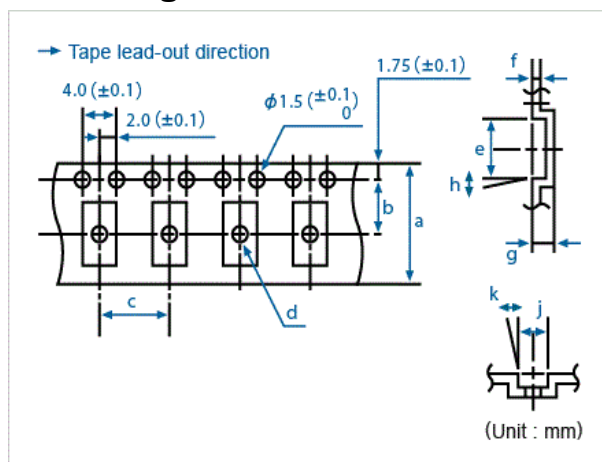
Table.1

Month	Jan	Feb	...	Sep	Oct	Nov	Dec
Code	1	2	...	9	X	Y	Z

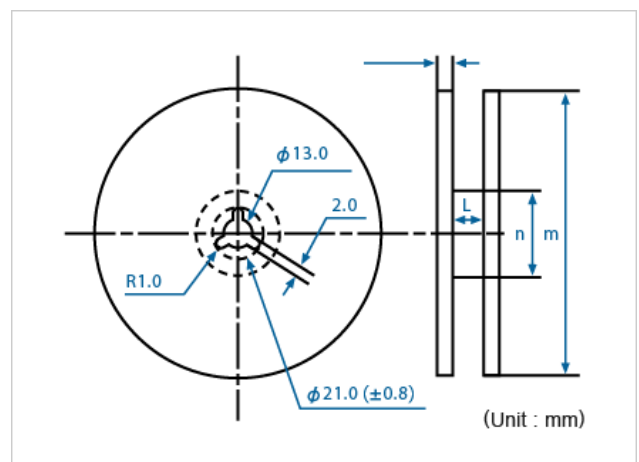
Reflow profile



Packing



Conforming to JIS C 0806 TB1208NEIAJ and RC-1009B TE1208N



Conforming to JIS C 0806 R12R and EIAJ RC-1009B R15

Q'ty/reel	a	b	c	d (φ)	e	f	g	h	j	k	l	m (φ)	n (φ)
1,000	24.0	11.5	12.0	2.0	14.1	0.4	4.2	5°	6.5	5°	25.5	330	80

Product specifications are subject to change without notice.

Rev.2

OUR CERTIFICATE

DiGi provide top-quality products and perfect service for customer worldwide through standardization, technological innovation and continuous improvement. DiGi through third-party certification, we strictly control the quality of products and services. Welcome your RFQ to

Email: Info@DiGi-Electronics.com



Tel: +00 852-30501935

RFQ Email: Info@DiGi-Electronics.com

DiGi is a global authorized distributor of electronic components.