

MSS7341T-622NLD Datasheet

www.digi-electronics.com



<https://www.DiGi-Electronics.com>

DiGi Electronics Part Number	MSS7341T-622NLD-DG
Manufacturer	Coilcraft
Manufacturer Product Number	MSS7341T-622NLD
Description	FIXED IND 6.2UH 4.3A 27MOHM SM
Detailed Description	6.2 μ H Shielded Drum Core Inductor 4.3 A 27mOhm Max Nonstandard



Tel: +00 852-30501935

RFQ Email: Info@DiGi-Electronics.com

DiGi is a global authorized distributor of electronic components.

Purchase and inquiry

Manufacturer Product Number:

MSS7341T-622NLD

Series:

MSS7341T

Type:

Drum Core

Inductance:

6.2 μ H

Current Rating (Amps):

4.3 A

Shielding:

Shielded

Q @ Freq:

-

Ratings:

AEC-Q200

Inductance Frequency - Test:

100 kHz

Mounting Type:

Surface Mount

Supplier Device Package:

-

Height - Seated (Max):

0.161" (4.10mm)

Manufacturer:

Coilcraft

Product Status:

Active

Material - Core:

Ferrite

Tolerance:

\pm 30%

Current - Saturation (Isat):

2.1A

DC Resistance (DCR):

27mOhm Max

Frequency - Self Resonant:

42MHz

Operating Temperature:

-40°C ~ 125°C

Features:

-

Package / Case:

Nonstandard

Size / Dimension:

0.287" L x 0.287" W (7.30mm x 7.30mm)

Environmental & Export classification

RoHS Status:

ROHS3 Compliant

HTSUS:

8504.50.8000

ECCN:

EAR99



High Temp Power Inductors MSS7341T



- Designed for high ambient temperatures – up to 125°C
- AEC-Q200 qualified
- Low DCR and excellent current handling

Core material Ferrite

Core and winding loss See www.coilcraft.com/coreloss

Environment RoHS compliant

Terminations RoHS compliant matte tin over nickel over phos bronze. Other terminations available at additional cost.

Weight: 0.61 – 0.67 g

Ambient temperature -40°C to +125°C with (40°C rise) Irms current.

Maximum part temperature +165°C (ambient + temp rise). [Derating](#).

Storage temperature Component: -40°C to +165°C.

Tape and reel packaging: -40°C to +80°C

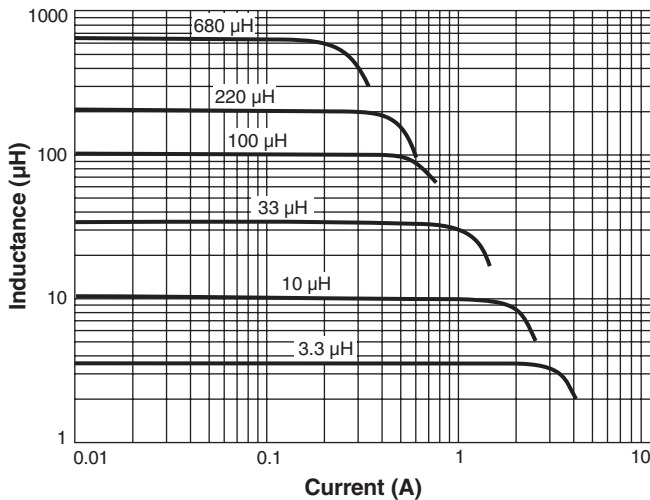
Resistance to soldering heat Max three 40 second reflows at +260°C, parts cooled to room temperature between cycles

Moisture Sensitivity Level (MSL) 1 (unlimited floor life at <30°C / 85% relative humidity)

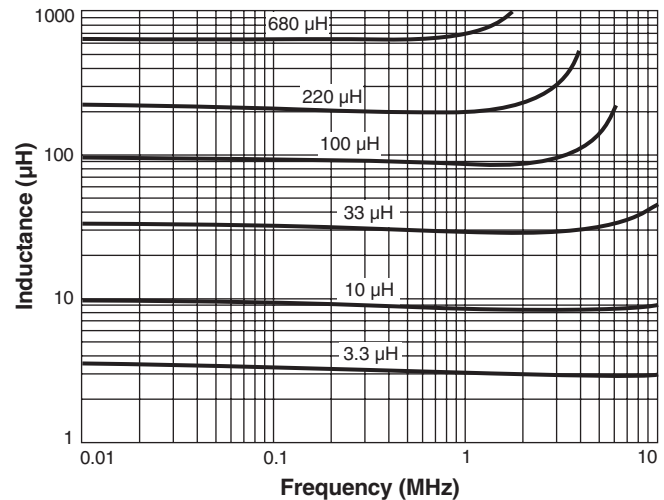
Packaging 300/7 reel; 1200/13" reel; Plastic tape: 16 mm wide, 0.35 mm thick, 12 mm pocket spacing, 4.5 mm pocket depth

PCB washing Tested to MIL-STD-202 Method 215 plus an additional aqueous wash. See [Doc787_PCB_Washing.pdf](#).

Typical L vs Current



Typical L vs Frequency



HIGH TEMPERATURE

High Temperature Power Inductors – MSS7341T Series

Part number ¹	Inductance ² (μ H)	Percent tolerance ³	DCR (Ohms)		SRF typ ⁴ (MHz)	Isat (A) ⁵			Irms (A) ⁶	
			typ	max		10% drop	20% drop	30% drop	20°C rise	40°C rise
MSS7341T-332_L_	3.3	30,20	0.014	0.018	85	2.8	3.4	3.7	3.95	5.00
MSS7341T-502_L_	5.0	30,20	0.018	0.023	49	2.4	2.8	3.1	3.40	4.70
MSS7341T-622_L_	6.2	30,20	0.024	0.027	42	2.1	2.5	2.7	3.05	4.30
MSS7341T-742_L_	7.4	30,20	0.027	0.031	35	2.0	2.3	2.6	2.80	4.10
MSS7341T-872_L_	8.7	30,20	0.029	0.034	33	1.8	2.1	2.3	2.80	3.90
MSS7341T-103ML_	10	20	0.032	0.038	32	1.7	2.0	2.2	2.80	3.80
MSS7341T-123ML_	12	20	0.040	0.050	27	1.6	1.8	2.0	2.45	3.30
MSS7341T-153ML_	15	20	0.047	0.055	26	1.4	1.7	1.8	2.05	3.00
MSS7341T-183ML_	18	20	0.065	0.075	25	1.3	1.5	1.6	1.85	2.65
MSS7341T-223ML_	22	20	0.074	0.082	22	1.2	1.4	1.5	1.70	2.35
MSS7341T-273ML_	27	20	0.091	0.109	19	1.0	1.2	1.3	1.50	2.10
MSS7341T-333ML_	33	20	0.104	0.124	17	0.94	1.1	1.2	1.50	1.95
MSS7341T-393ML_	39	20	0.115	0.130	15	0.86	1.0	1.1	1.50	1.90
MSS7341T-473ML_	47	20	0.127	0.155	14	0.80	0.95	1.0	1.50	1.85
MSS7341T-563ML_	56	20	0.174	0.202	11	0.72	0.86	0.94	1.25	1.60
MSS7341T-683ML_	68	20	0.236	0.250	9.6	0.64	0.76	0.83	1.00	1.35
MSS7341T-823ML_	82	20	0.257	0.290	8.5	0.57	0.68	0.74	1.00	1.25
MSS7341T-104ML_	100	20	0.286	0.310	7.2	0.54	0.64	0.70	0.90	1.15
MSS7341T-154ML_	150	20	0.438	0.475	6.0	0.45	0.53	0.58	0.86	1.14
MSS7341T-224ML_	220	20	0.660	0.710	5.0	0.39	0.47	0.51	0.57	0.78
MSS7341T-474KL_	470	10	1.21	1.45	3.0	0.27	0.32	0.35	0.43	0.57
MSS7341T-684KL_	680	10	1.85	1.98	2.5	0.20	0.25	0.27	0.42	0.56

1. When ordering, specify **tolerance, termination and packaging** codes:

MSS7341T-684KLD

Tolerance: M = 20%, N = 30% (Table shows stock tolerances in bold.)

Termination: L = RoHS compliant matte tin over nickel over phos bronze.

Special order: T = RoHS tin-silver-copper (95.5/4/0.5) over gold over nickel over phos bronze or

S = non-RoHS tin-lead (63/37) over gold over nickel over phos bronze.

Packaging: C = 7" machine-ready reel. EIA-481 embossed plastic tape (300 parts per full reel). Quantities less than full reel available: in tape (not machine ready) or with leader and trailer (\$25 charge).

D = 13" machine-ready reel. EIA-481 embossed plastic tape (1200 parts per full reel).

B = Less than full reel. In an effort to simplify our part numbering system, Coilcraft is eliminating the need for multiple packaging codes. When ordering, simply change the last letter of your part number from B to C.

2. Inductance measured at 100 kHz, 0.1 Vrms, 0 Adc using a Coilcraft SMD-A fixture in an Agilent/HP 4263B LCR meter.

3. Tolerances shown in bold are stocked for immediate shipment.

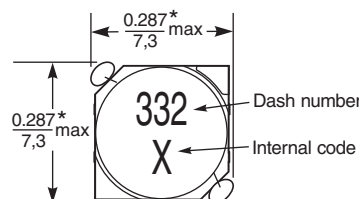
4. SRF measured using an Agilent/HP 8753D network analyzer and a Coilcraft SMD-D test fixture.

5. DC current at 25°C that causes the specified inductance drop from its value without current. [Click for temperature derating information.](#)

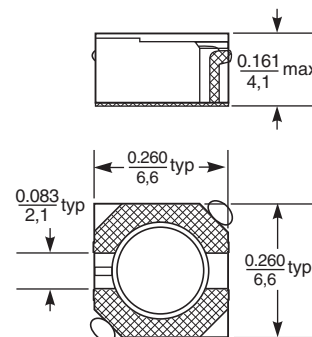
6. Current that causes the specified temperature rise from 25°C ambient. This information is for reference only and does not represent absolute maximum ratings. [Click for temperature derating information.](#)

7. Electrical specifications at 25°C.

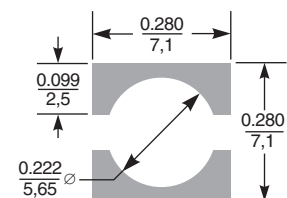
Refer to Doc 362 "Soldering Surface Mount Components" before soldering.



*Dimensions are of the case not including the termination. For maximum overall dimensions including the termination, add 0.02 in / 0,51 mm.



Recommended Land Pattern



Dimensions are in $\frac{\text{inches}}{\text{mm}}$

OUR CERTIFICATE

DiGi provide top-quality products and perfect service for customer worldwide through standardization, technological innovation and continuous improvement. DiGi through third-party certification, we stricly control the quality of products and services. Welcome your RFQ to

Email: Info@DiGi-Electronics.com



Tel: +00 852-30501935

RFQ Email: Info@DiGi-Electronics.com

DiGi is a global authorized distributor of electronic components.