

DF06S-HF Datasheet



<https://www.DiGi-Electronics.com>

DiGi Electronics Part Number	DF06S-HF-DG
Manufacturer	Comchip Technology
Manufacturer Product Number	DF06S-HF
Description	BRIDGE RECT 1PHASE 600V 1A DFS
Detailed Description	Bridge Rectifier Single Phase Standard 600 V Surface Mount DFS

This model DF06S-HF is available at DiGi Electronics.

DiGi Electronics offers a global database of semiconductor and electronic component datasheets.

We welcome your inquiries regarding pricing, lead time, or other product-related questions.

 [Request a Quote](#)

 [Datasheet Search](#)



Tel: +00 852-30501935

RFQ Email: Info@DiGi-Electronics.com

DiGi is a global authorized distributor of electronic components.

Purchase and inquiry

Manufacturer Product Number:

DF06S-HF

Series:

-

Diode Type:

Single Phase

Voltage - Peak Reverse (Max):

600 V

Voltage - Forward (Vf) (Max) @ If:

1.1 V @ 1 A

Operating Temperature:

-55°C ~ 150°C (Tj)

Package / Case:

4-SMD, Gull Wing

Manufacturer:

Comchip Technology

Product Status:

Active

Technology:

Standard

Current - Average Rectified (Io):

1 A

Current - Reverse Leakage @ Vr:

10 µA @ 600 V

Mounting Type:

Surface Mount

Supplier Device Package:

DFS

Environmental & Export classification

ECCN:

EAR99

HTSUS:

8541.10.0080

SMD Glass Passivated Bridge Rectifiers



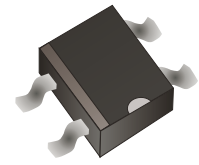
DF005S-HF Thru. DF10S-HF

Reverse Voltage: 50 to 1000V


Forward Current: 1.0A

RoHS Device

Halogen Free

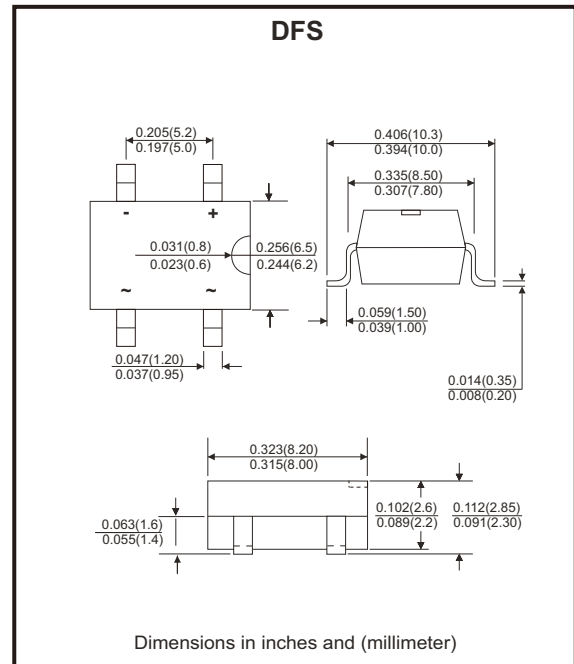


Features

- Rating to 1000V PRV.
- Ideal for printed circuit board.
- Low forward voltage drop.
- High current capability.
- The plastic material has UL flammability classification 94V-0
- UL recognized file # E349301 

Mechanical Data

- Polarity: As marked on Body.
- Weight: 0.38 grams (approx.).
- Mounting position: Any.



Maximum ratings and electrical characteristics

Rating at 25°C ambient temperature unless otherwise specified.
Single phase, half wave, 60Hz, resistive or inductive load.
For capacitive load, derate current by 20%

Parameter	Symbol	DF 005S-HF	DF 01S-HF	DF 02S-HF	DF 04S-HF	DF 06S-HF	DF 08S-HF	DF 10S-HF	Unit
Maximum recurrent peak reverse voltage	V_{RRM}	50	100	200	400	600	800	1000	V
Maximum RMS voltage	V_{RMS}	35	70	140	280	420	560	700	V
Maximum DC blocking voltage	V_{DC}	50	100	200	400	600	800	1000	V
Maximum average forward rectified current @ $T_A=40^\circ\text{C}$	$I_{(AV)}$	1.0							A
Peak forward surge current, 8.3ms single half sine-wave superimposed on rated load (JEDEC method)	I_{FSM}	30							A
Maximum forward voltage at 1.0A DC	V_F	1.1							V
Maximum DC reverse current @ $T_J=25^\circ\text{C}$ at rate DC blocking voltage @ $T_J=125^\circ\text{C}$	I_R	10 500							μA
I^2t rating for fusing ($t < 8.3\text{ms}$)	I^2t	3.735							A^2s
Typical junction capacitance per element (Note 1)	C_J	25							pF
Typical thermal resistance (Note 2)	$R_{\theta JA}$	40							$^\circ\text{C}/\text{W}$
Operating temperature range	T_J	-55 to +150							$^\circ\text{C}$
Storage temperature range	T_{STG}	-55 to +150							$^\circ\text{C}$

Notes: 1. Measured at 1.0MHz and applied reverse voltage of 4.0V DC.

2. Thermal resistance from junction to ambient mounted on P.C.B with 0.5*0.5"(13*13mm) copper pads.

SMD Glass Passivated Bridge Rectifiers



Rating and Characteristics Curves (DF005S-HF Thru. DF10S-HF)

Fig.1 - Forward Current Derating Curve

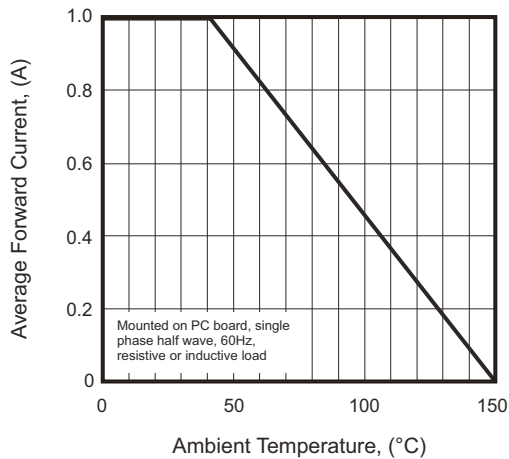


Fig.2 - Maximum Non-repetitive Surge Current

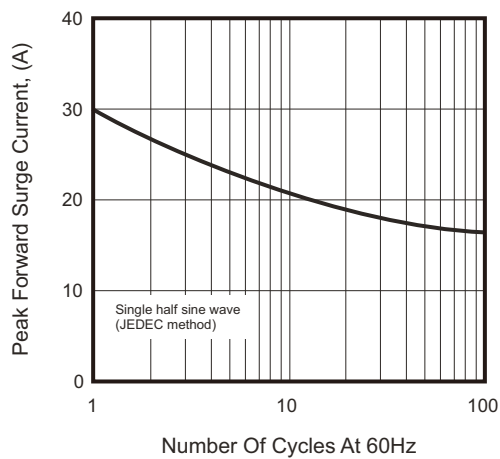


Fig.3 - Typical Junction Capacitance

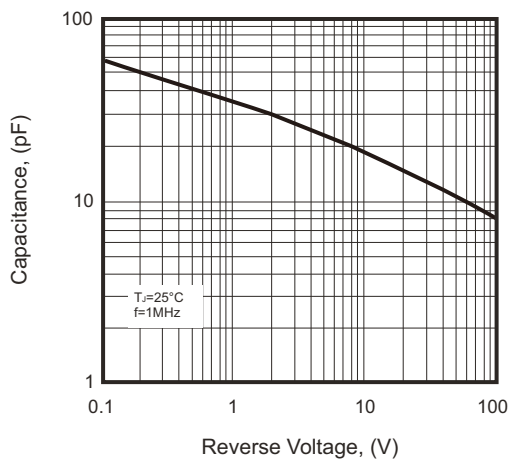


Fig.4 - Typical Forward Characteristics

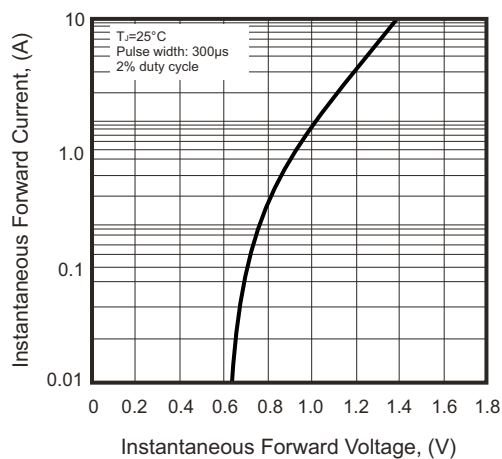
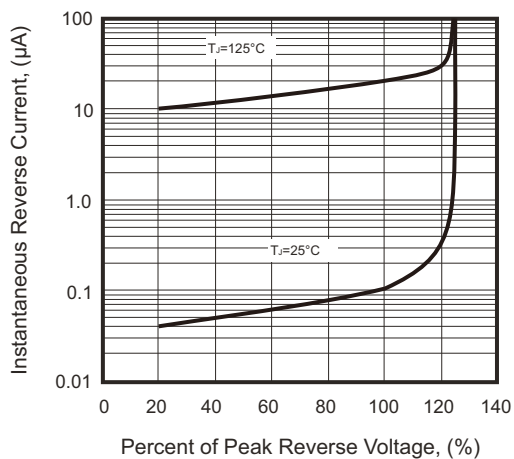


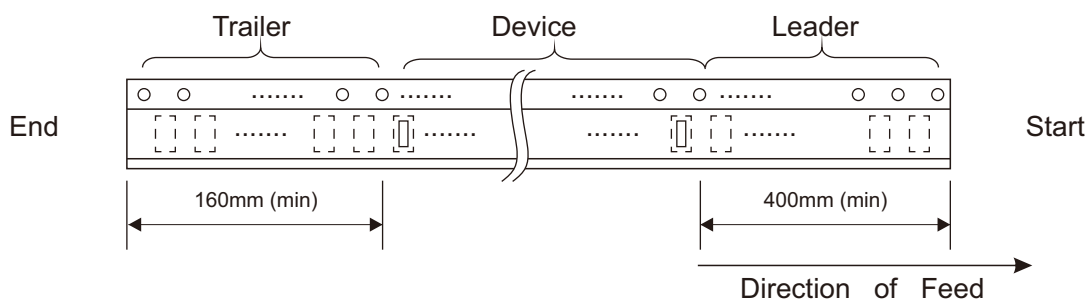
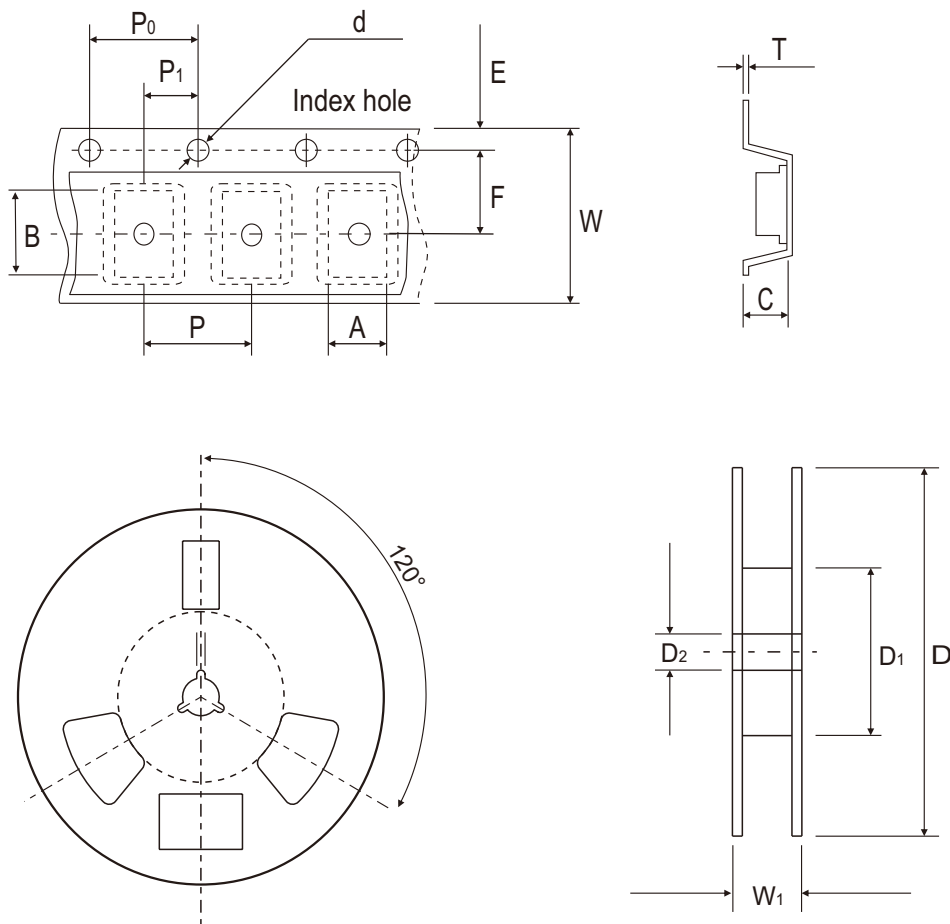
Fig.5 - Typical Reverse Characteristics



SMD Glass Passivated Bridge Rectifiers



Reel Taping Specification



DFS	SYMBOL	A	B	C	d	D	D ₁	D ₂
	(mm)	8.64 ± 0.10	10.41 ± 0.10	3.81 ± 0.10	1.55 ± 0.05	330	50.0 MIN.	13.00 ± 0.20
	(inch)	0.340 ± 0.004	0.409 ± 0.004	0.150 ± 0.004	0.061 ± 0.002	13	1.969 MIN.	0.512 ± 0.008

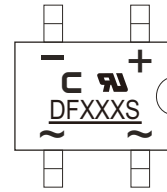
DFS	SYMBOL	E	F	P	P ₀	P ₁	T	W	W ₁
	(mm)	1.75 ± 0.10	7.50 ± 0.05	12.00 ± 0.10	4.00 ± 0.10	2.00 ± 0.10	0.32	16.00 ± 0.30	16.00~18.40
	(inch)	0.069 ± 0.004	0.295 ± 0.002	0.472 ± 0.004	0.157 ± 0.004	0.079 ± 0.004	0.013	0.630 ± 0.012	0.630~0.724

SMD Glass Passivated Bridge Rectifiers



Marking Code

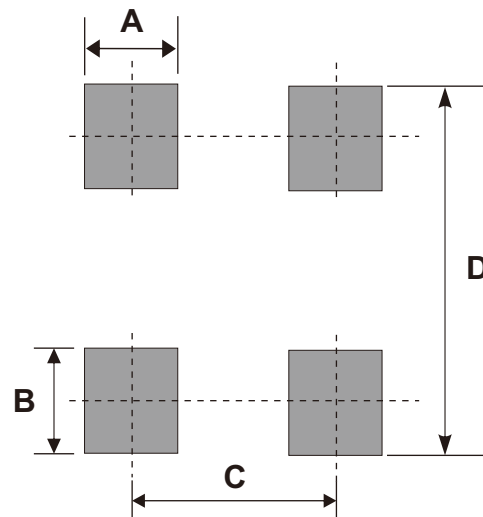
Part Number	Marking code
DF005S-HF	DF005S
DF01S-HF	DF01S
DF02S-HF	DF02S
DF04S-HF	DF04S
DF06S-HF	DF06S
DF08S-HF	DF08S
DF10S-HF	DF10S



XX / XXX = Product type marking code
C = Comchip Logo

Suggested P.C.B. PAD Layout

SIZE	DFS	
	(mm)	(inch)
A	1.20 Min	0.047 Min
B	1.52 Min	0.060 Min
C	5.21 Ref	0.205 Ref
D	10.26 Max	0.404 Max



Standard Packaging

Case Type	REEL PACK	
	REEL (pcs)	Reel Size (inch)
DFS	1,000	13

OUR CERTIFICATE

DiGi provide top-quality products and perfect service for customer worldwide through standardization, technological innovation and continuous improvement. DiGi through third-party certification, we stricly control the quality of products and services. Welcome your RFQ to

Email: Info@DiGi-Electronics.com



Tel: +00 852-30501935

RFQ Email: Info@DiGi-Electronics.com

DiGi is a global authorized distributor of electronic components.