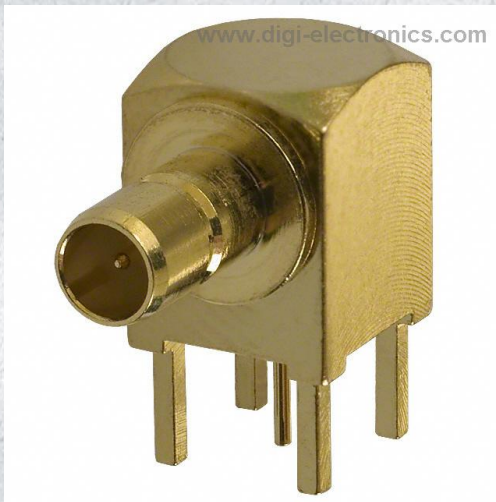


# 142146-75 Datasheet



<https://www.DiGi-Electronics.com>

DiGi Electronics Part Number	142146-75-DG
Manufacturer	<a href="#">Amphenol RF</a>
Manufacturer Product Number	142146-75
Description	CONN MINI SMB JACK R/A 75OHM PCB
Detailed Description	SMB, Mini Connector Jack, Male Pin 75 Ohms Through Hole, Right Angle Solder

This model 142146-75 is available at DiGi Electronics.

DiGi Electronics offers a global database of semiconductor and electronic component datasheets.

We welcome your inquiries regarding pricing, lead time, or other product-related questions.

 [Request a Quote](#)

 [Datasheet Search](#)



Tel: +00 852-30501935

RFQ Email: [Info@DiGi-Electronics.com](mailto:Info@DiGi-Electronics.com)

DiGi is a global authorized distributor of electronic components.

## Purchase and inquiry

Manufacturer Product Number:

142146-75

Series:

-

Connector Style:

SMB, Mini

Contact Termination:

Solder

Impedance:

75 Ohms

Mounting Feature:

-

Fastening Type:

Snap-On

Features:

-

Ingress Protection:

-

Includes:

-

Body Finish:

Gold

Dielectric Material:

Polytetrafluoroethylene (PTFE)

Mating Cycles:

500

Base Product Number:

142146

Manufacturer:

Amphenol RF

Product Status:

Active

Connector Type:

Jack, Male Pin

Shield Termination:

Solder

Mounting Type:

Through Hole, Right Angle

Cable Group:

-

Number of Ports:

1

Housing Color:

Gold

Center Contact Material:

Brass

Body Material:

Brass

Center Contact Plating:

Gold

Operating Temperature:

-65°C ~ 165°C

Insertion Loss:

0.6dB

## Environmental & Export classification

RoHS Status:

ROHS3 Compliant

REACH Status:

REACH Affected

HTSUS:

8536.69.4010

Moisture Sensitivity Level (MSL):

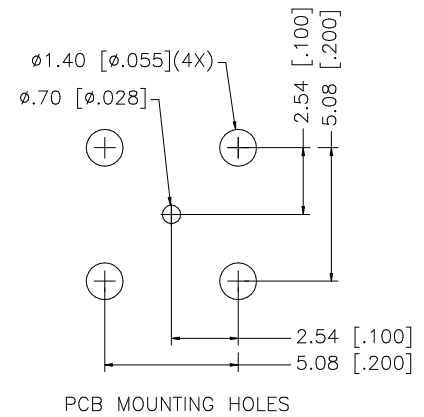
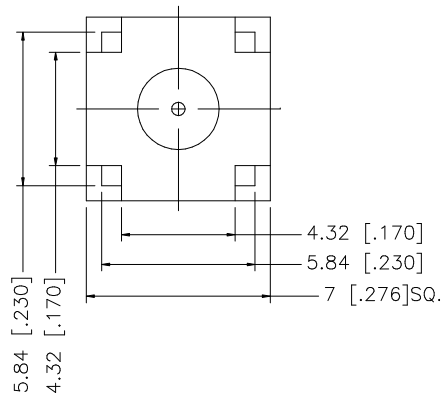
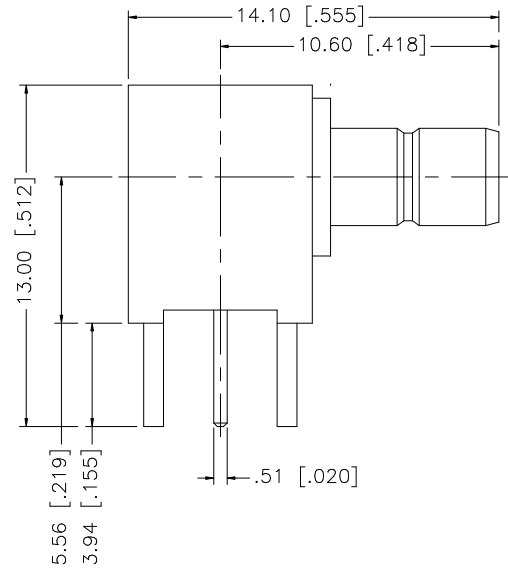
1 (Unlimited)

ECCN:

EAR99

142146-75 Amphenol RF Conn Mini SMB Jack R/A 75OHM PCB

REV.	DATE	DESCRIPTION
A	01/30/04	UPDATE DRAWING FORMAT



8				
7				
6				
5				
4				
3	CONTACT PIN	BRASS	GOLD	1
2	INSULATOR	TEFLON	NATURAL	2
1	BODY	BRASS	GOLD	1
DESCRIPTION	MATERIAL	FINISH	QTY	

UNLESS OTHERWISE SPECIFIED DIMENSIONS ARE IN MILLIMETERS. DIMENSIONS IN [ ] ARE IN INCHES AND FOR CUSTOMER REFERENCE ONLY.

UNLESS OTHERWISE SPECIFIED TOLERANCES FOR MILLIMETERS ARE:  
 0.5 - 8mm ± 0.20mm  
 8 - 30mm ± 0.40mm  
 30 - 120mm ± 0.50mm

UNLESS OTHERWISE SPECIFIED TOLERANCES FOR INCHES ARE:  
 .020 - .315 = ± 0.007"  
 .315 - 1.180 = ± 0.015"  
 1.180 - 4.724 = ± 0.020"

DO NOT SCALE DRAWING

APPROVALS	DATE
DRAWN G.R.S.	01/30/04
CHECKED	
ISSUED	
SHEET 1 OF 1	
CAD FILE	C:/142/142146-75.DWG

**Amphenol Connex**

PART DESCRIPTION  
**MINI 75 OHM SMB R/A P.C.B. JACK**

PART NO. **142146-75**

DWG. NO.	142146-75.DWG	REV.	A	SIZE	A	SCALE	NA
----------	---------------	------	---	------	---	-------	----

## OUR CERTIFICATE

DiGi provide top-quality products and perfect service for customer worldwide through standardization, technological innovation and continuous improvement. DiGi through third-party certification, we stricly control the quality of products and services. Welcome your RFQ to

Email: [Info@DiGi-Electronics.com](mailto:Info@DiGi-Electronics.com)



Tel: +00 852-30501935

RFQ Email: [Info@DiGi-Electronics.com](mailto:Info@DiGi-Electronics.com)

DiGi is a global authorized distributor of electronic components.