



SMAJ-MCXP Datasheet

DiGi Electronics Part Number	APH-SMAJ-MCXP-DG
Manufacturer	Amphenol RF
Manufacturer Product Number	APH-SMAJ-MCXP
Description	CONN ADAPT SMA JACK TO MCX PLUG

<https://www.DiGi-Electronics.com>

Detailed Description Adapter Coaxial Connector SMA Jack, Female Socket To MCX Plug, Male Pin 50 Ohms

DiGi Electronics offers a global database of semiconductor and electronic component datasheets.

We welcome your inquiries regarding pricing, lead time, or other product-related questions.

 [Request a Quote](#)

 [Datasheet Search](#)

RFQ Email: Info@DiGi-Electronics.com

DiGi is a global authorized distributor of electronic components.

Purchase and inquiry

Manufacturer Product Number:

APH-SMAJ-MCXP

Series:

-

Adapter Type:

Plug to Jack

Adapter Series:

SMA to MCX

Convert From (Adapter End):

SMA Jack, Female Socket

Impedance:

50 Ohms

Mounting Type:

Free Hanging (In-Line)

Fastening Type:

Snap-On, Threaded

Ingress Protection:

-

Features:

Manufacturer:

Amphenol RF

Product Status:

Obsolete

Conversion Type:

Between Series

Center Gender:

Female to Male

Convert To (Adapter End):

MCX Plug, Male Pin

Style:

Straight

Mounting Feature:

-

Frequency - Max:

6 GHz

Center Contact Plating:

Gold

Includes:

APH-SMAJ-MCXP Amphenol RF CONN ADAPT SMA JACK TO MCX PLUG

NOTES:

1. MATERIALS AND FINISHES:

BODY - BRASS (ASTM-B16 H02, C36000), GOLD PLATING
 CONTACT PIN - BeCu, GOLD PLATING
 INSULATOR - PTFE PER ASTM D 1710 OR EQUIV.

2. ELECTRICAL:

A. IMPEDANCE: 50 OHM
 B. FREQUENCY RANGE: DC - 6 GHz

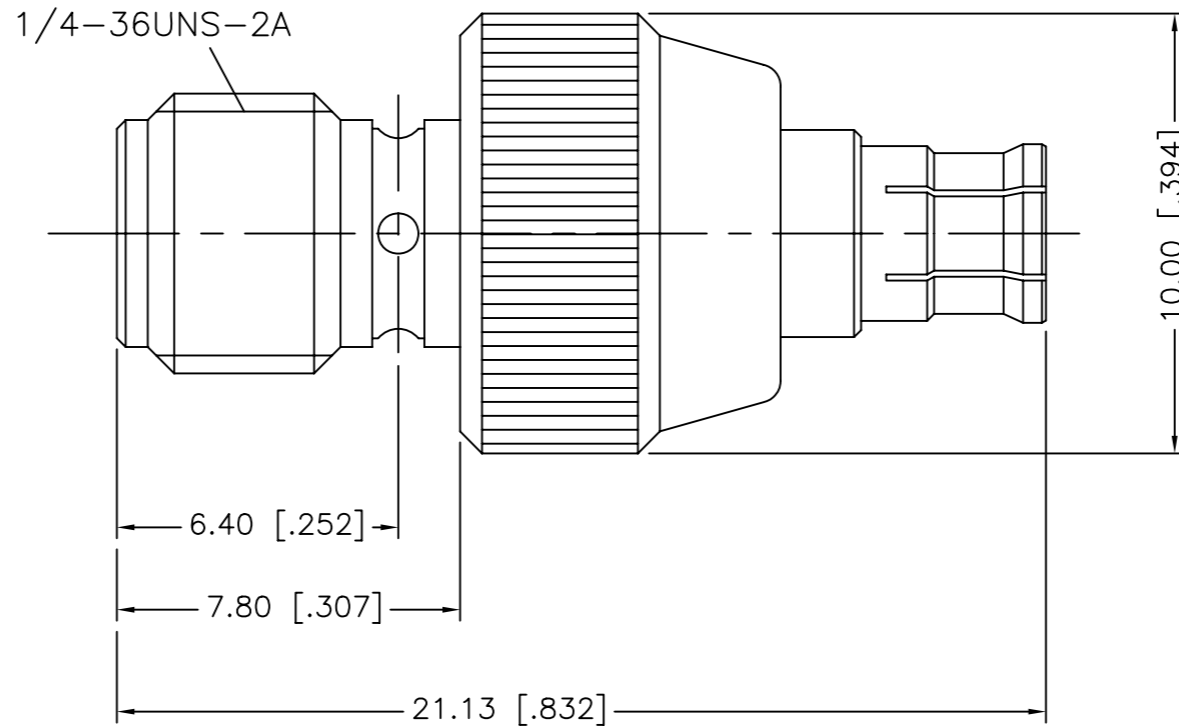
3. MECHANICAL:

A. TEMPERATURE RANGE: -65° C TO +165° C

4. PACKAGING:

A. QUANTITY: SINGLE PACK
 B. MARKING: BAG TO BE MARKED
 "AMPHENOL, APH-SMAJ-MCXP, AND DATE CODE

APH-SMAJ-MCXP		REVISIONS			
DRAWING NO.	REV	DESCRIPTION	DATE	ECO	APPR
THIRD ANGLE PROJ.	A	RELEASE TO MFG.	9/12/06	46263	CPM/



UNLESS OTHERWISE SPECIFIED, DIMENSIONS ARE IN INCHES AND TOLERANCES ARE:
 2 PLACE DECIMAL 3 PLACE DECIMAL ANGLES
 ±.015 (0,381 mm) ±.005 (0,127 mm) ± 1°

NOTICE - These drawings, specifications, or other data (1) are, and remain the property of Amphenol Corp. (2) must be returned upon request; and (3) are confidential and not to be disclosed to any person other than those to whom they are given by Amphenol Corp. The furnishing of these drawings, specifications, or other data by Amphenol Corp., or to any other person to anyone for any purpose is not to be regarded by implication or otherwise in any manner licensing, granting rights or permitting such holder or any other person to manufacture, use or sell any product, process or design, patented or otherwise, that may in any way be related to or disclosed by said drawings, specifications, or other data.

MATERIAL	DRAWN	DATE	TITLE
	C. McGRATH	4/27/05	
ENGINEER	O. BARTHELMES	4/27/05	
REFERENCE	APPROVED	DATE	SMA FEMALE TO MCX MALE ADAPTER
	O. BARTHELMES	9/8/06	
CAD FILE	H:\DEPT611\ASSY\APH\SMAJ-MCXP		CODE ID 74868

<p>Amphenol Amphenol Corporation RF/Microwave Operations Danbury, Conn. U.S.A. 06810</p>		SCALE: 2:1 SHEET OF
DRAWING NO.	DWG SIZE	ISSUE
APH-SMAJ-MCXP	B	A

