

www.digi-electronics.com



<https://www.DiGi-Electronics.com>

MSLD-PCS-T Datasheet

DiGi Electronics Part Number	SMP-MSLD-PCS-T-DG
Manufacturer	Amphenol RF
Manufacturer Product Number	SMP-MSLD-PCS-T

Description CONN SMP JACK STR 50 OHM SMD

Detailed Description

This model SMP-MSLD-PCS-T is available at DiGi Electronics. [SMP Connector Jack, Male Pin 50 Ohms Surface Mount Solder](#)

DiGi Electronics offers a global database of semiconductor and electronic component datasheets.

We welcome your inquiries regarding pricing, lead time, or other product-related questions.

 [Request a Quote](#)

 [Datasheet Search](#)

0 852-301

RFQ Email: Info@DiGi-Electronics.com

DiGi is a global authorized distributor of electronic components.

Purchase and inquiry

Manufacturer Product Number:

SMP-MSLD-PCS-T

Series:

-

Connector Style:

SMP

Contact Termination:

Solder

Impedance:

50 Ohms

Mounting Feature:

-

Fastening Type:

Snap-On

Number of Ports:

1

Housing Color:

Gold

Center Contact Material:

Manufacturer:

Amphenol RF

Product Status:

Not For New Designs

Connector Type:

Jack, Male Pin

Shield Termination:

Solder

Mounting Type:

Surface Mount

Cable Group:

-

Frequency - Max:

18 GHz

Features:

Pick and Place Cap, Solder Retention

Ingress Protection:

-

Includes:

SMP-MSLD-PCS-T Amphenol RF CONN SMP JACK STR 50 OHM SMD

NOTES:

1. MATERIALS AND FINISHES:

- BODY - BRASS, GOLD PLATING, .000030 [0.8] THICK OVER NICKEL
- CONTACT - GOLD, GOLD PLATING, .000030 [0.8] THICK OVER NICKEL
- INSULATOR - LCP
- CAP - PTFE

2. ELECTRICAL:

- A. IMPEDANCE: 50 OHM
- B. FREQUENCY RANGE: DC - 18 GHz
- C. VSWR(RETURN LOSS): 1.10 (26.4 dB), MAX. DC-6GHz
1.15 (23.1 dB), MAX. 6-10GHz
1.30 (17.7 dB), MAX. 10-18GHz
- D. DIELECTRIC WITHSTANDING VOLTAGE: 335 VRMS, MIN.

3. PHYSICAL:

- A. DURABILITY: 500 CYCLES MIN.
- B. ENGAGEMENT FORCE: 10 LB MAX
- C. DISENGAGEMENT FORCE: 2 LB MIN
- D. INNER CONTACT RETENTION FORCE: 1.5 LB MIN
- E. TEMPERATURE RANGE: -65° C TO 165° C

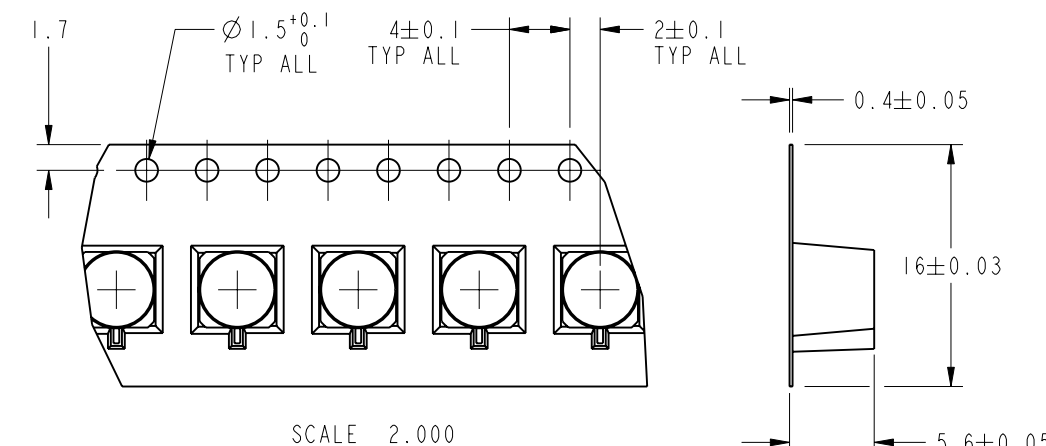
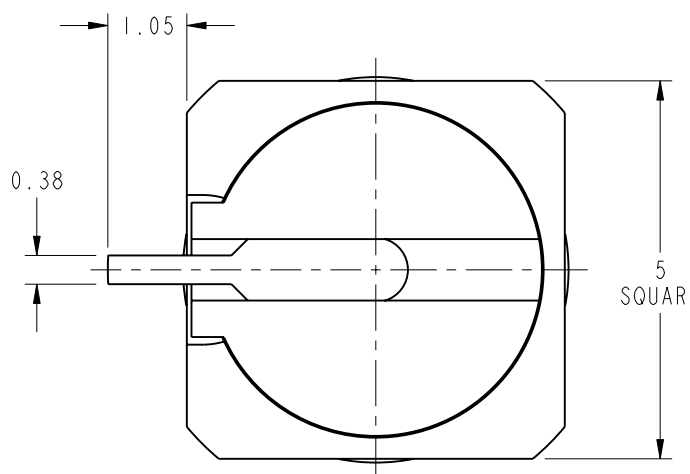
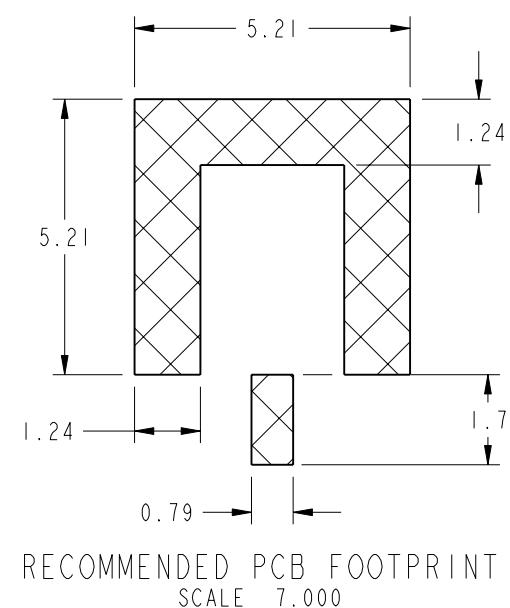
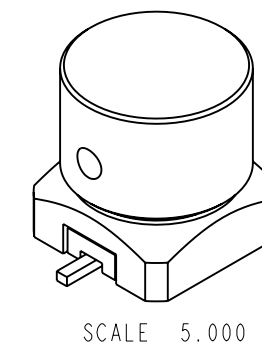
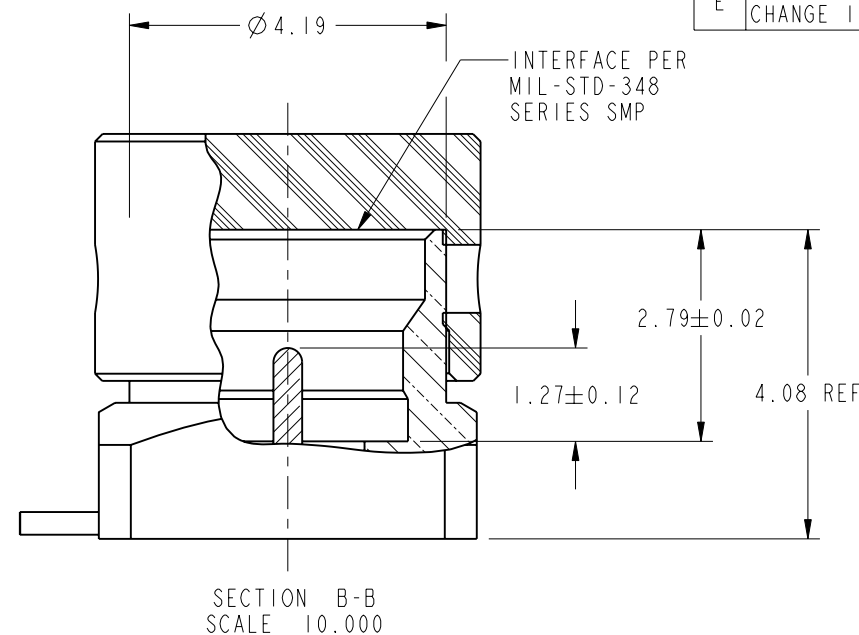
4. PACKAGING:

- A. PACKAGE CONNECTOR IN TAPE AND REEL.
- B. MARKING: "AMPHENOL RF, SMP-MSLD-PCS-T, AND DATE CODE"
- C. INCLUDE AN ADDITIONAL LABEL ON THE BOX TO IDENTIFY THE PART AS VC. THE LABEL SHALL BE MARKED: VC. THE SIZE OF LABEL SHALL BE 63X38 MM AND TO BE LOCATED EITHER ON TOP OR ON THE SIDES OF THE BOX.

THIRD ANGLE PROJ.

REVISIONS

REV	DESCRIPTION	DATE	ECO	APPR
A	RELEASE TO MFG.	16-Apr-07	46508	CW
B	SEE SHEET 1	05-Sep-09	47481	Agela
C	ADD NOTE 4	15-Apr-13	49440	MJD
D	1.27±0.12 WAS 1.3±0.12, MB37AAB02 WAS 940-10020, 940-10019; BD37ACB01 WAS 940-10036 \RD-DM13091001J8	24-Sep-13	49741	MD
E	REMOVE SPECIAL HARRIS LABEL FROM THE DRAWING AND CHANGE IT TO OUR STANDARD LABELING. \RD-DM15010701R3	21-Jan-15	50188	RM



CUSTOMER OUTLINE DRAWING
ALL OTHER SHEETS ARE FOR INTERNAL USE ONLY

<p>UNLESS OTHERWISE SPECIFIED, DIMENSIONS ARE IN METRIC AND TOLERANCES ARE: <0.5mm ±0.05mm 0.5 - 6mm ±0.1mm 6 - 30mm ±0.2mm 30 - 120mm ±0.3mm ANGLES ±1°</p> <p>NOTICE - These drawings, specifications, or other data (1) are, and remain the property of Amphenol corp. (2) must be returned upon request; and (3) are confidential and not to be disclosed to any person other than those to whom they are given by Amphenol Corp. the furnishing of these drawings, specifications, or other data by Amphenol Corp., or to any other person to anyone for any purpose is not to be regarded by implication or otherwise in any manner licensing, granting rights to permitting such holder or any other person to manufacture, use or sell any product, process or design, patented or otherwise, that may in any way be related to or disclosed by said drawings, specifications, or other data.</p>	<p>MATERIAL SEE NOTES</p> <p>REFERENCE EAR # 2279 AND 615X-1782</p> <p>CONFIGURATION LEVEL: <input type="checkbox"/><input type="checkbox"/><input type="checkbox"/><input type="checkbox"/></p> <p>FINISH</p>	<p>DRAWN R. MAO</p> <p>ENGINEER G. WANG</p> <p>APPROVED S. HSIEH</p> <p>CAD FILE</p>	<p>DATE 21-Jan-15</p> <p>DATE 16-Apr-07</p> <p>DATE 21-Jan-15</p>	<p>TITLE SMP MALE SMT LIMITED DETENT IN TAPE AND REEL</p> <p>SCALE: 7.0:1.0 SHEET 2 OF 2</p> <p>DWG SIZE B</p> <p>REV E</p>	<p>Amphenol RF</p> <p>www.amphenolrf.com</p> <p>DRAWING NO. SMP-MSLD-PCS-T</p> <p>ITEM NO. SMP-MSLD-PCS-T</p> <p>PART NO. SMP-MSLD-PCS-T</p>
---	--	--	---	--	--

OUR CERTIFICATE

DiGi provide top-quality products and perfect service for customer worldwide through standardization, technological innovation and continuous improvement. DiGi through third-party certification, we stricly control the quality of products and services. Welcome your RFQ to

Email: Info@DiGi-Electronics.com



Tel: +00 852-30501935

RFQ Email: Info@DiGi-Electronics.com

DiGi is a global authorized distributor of electronic components.