

# CS-FM-MSR Datasheet



<https://www.DiGi-Electronics.com>

DiGi Electronics Part Number	CS-FM-MSR-DG
Manufacturer	<a href="#">Crystek Corporation</a>
Manufacturer Product Number	CS-FM-MSR
Description	CONN 2.92MM PLUG STR SOLDER
Detailed Description	2.92mm Connector Plug, Male Pin Free Hanging (In-Line) Solder

This model CS-FM-MSR is available at DiGi Electronics.

DiGi Electronics offers a global database of semiconductor and electronic component datasheets.

We welcome your inquiries regarding pricing, lead time, or other product-related questions.

 [Request a Quote](#)

 [Datasheet Search](#)



Tel: +00 852-30501935

RFQ Email: [Info@DiGi-Electronics.com](mailto:Info@DiGi-Electronics.com)

DiGi is a global authorized distributor of electronic components.

## Purchase and inquiry

Manufacturer Product Number:

CS-FM-MSR

Series:

-

Connector Style:

2.92mm

Contact Termination:

Solder

Impedance:

-

Mounting Feature:

-

Fastening Type:

Threaded

Features:

-

Ingress Protection:

-

Includes:

-

Body Finish:

-

Dielectric Material:

-

Mating Cycles:

-

Base Product Number:

-

Manufacturer:

Crystek Corporation

Product Status:

Obsolete

Connector Type:

Plug, Male Pin

Shield Termination:

Clamp

Mounting Type:

Free Hanging (In-Line)

Cable Group:

RG-405 (.085" Semi Rigid)

Number of Ports:

1

Housing Color:

Silver

Center Contact Material:

Beryllium Copper

Body Material:

Stainless Steel

Center Contact Plating:

Gold

Operating Temperature:

-

Insertion Loss:

-

## Environmental & Export classification

Moisture Sensitivity Level (MSL):

1 (Unlimited)

ECCN:

EAR99

REACH Status:

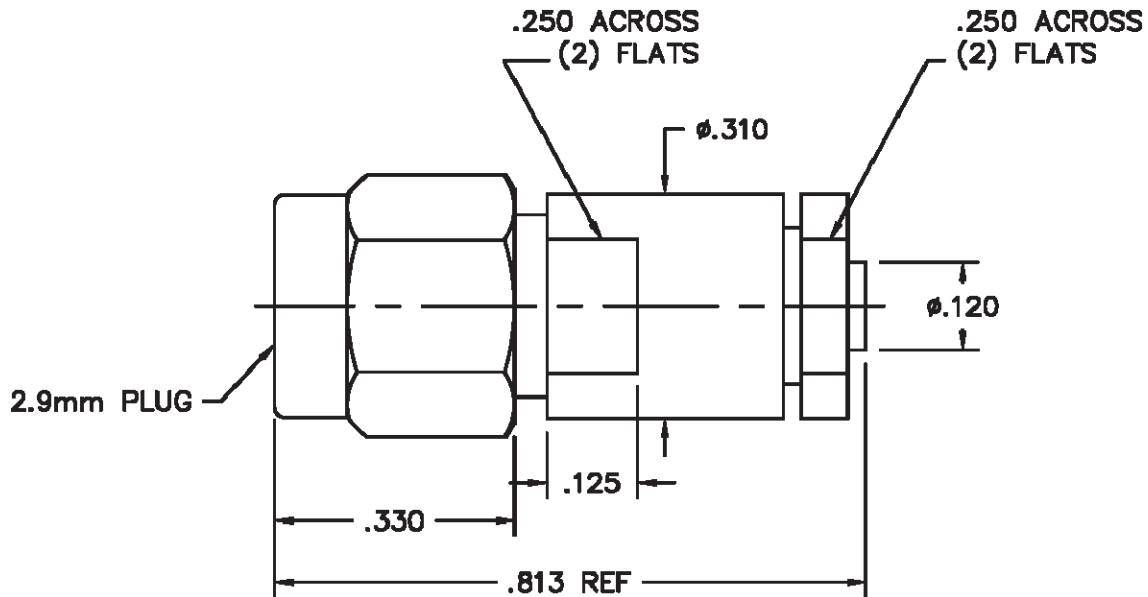
REACH Unaffected

HTSUS:

8536.69.4010



## 2.92mm Plug to 0.085in Semi Rigid



### NOTES:

#### 1.0 Materials

- 1.1 Contact: Heat Treated BeCu alloy per ASTM-B-196.
- 1.2 Body and Clamp Nut: 303 SST per ASTM-A-484 and ASTM-A-582.
- 1.3 Solder Ferrule: 360 Brass per ASTM-B16.
- 1.4 O-Ring: Silicone per ZZ-R-765.

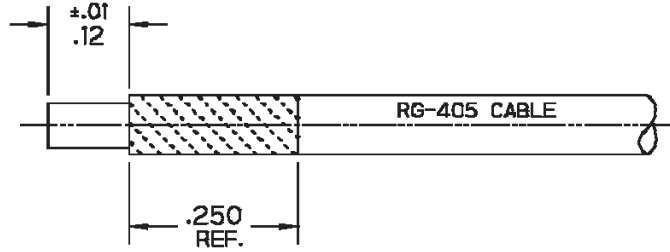
#### 2.0 Finishes

- 2.1 Contact and Solder Ferrule: Gold Plate per ASTM-B-488 over nickel per QQ-N-290.
- 2.2 Body and Clamp Nut: Passivated per ASTM-A-967-99.



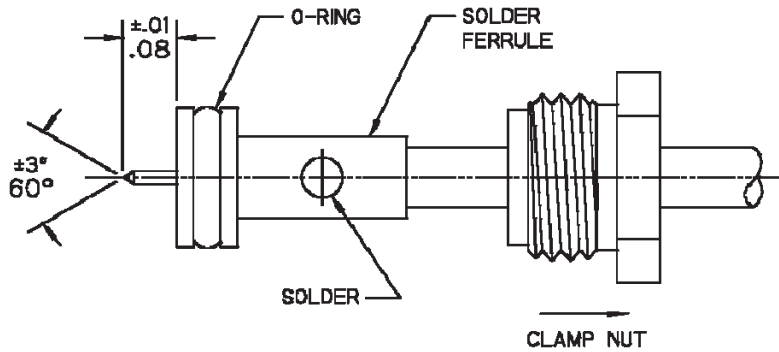
**CRYSTEK**  
**MICROWAVE**  
 A DIVISION OF CRYSTEK CORPORATION

# 2.92mm Plug to 0.085in Semi Rigid



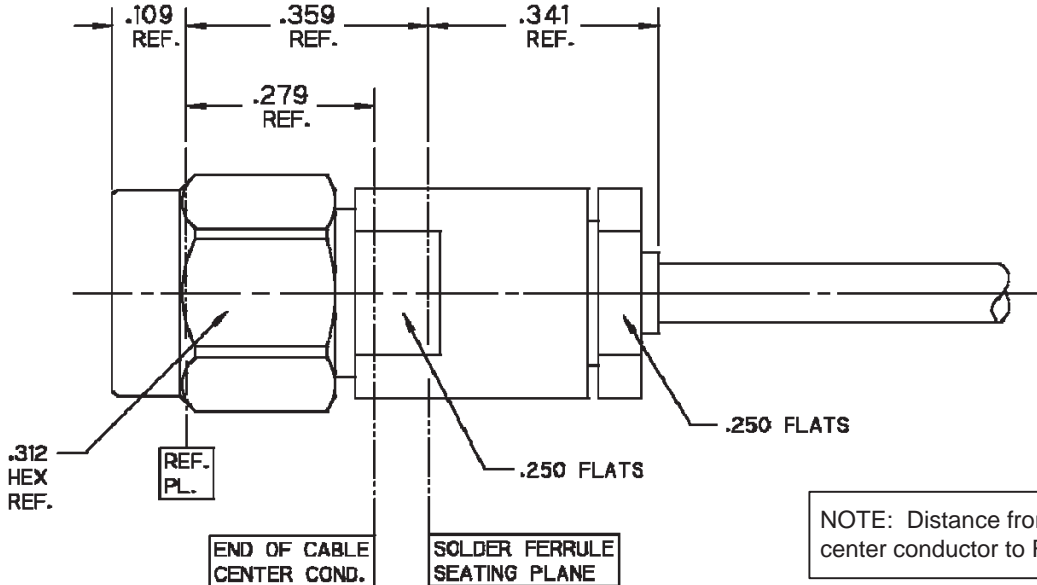
- 1.1 Trim cable to expose dielectric core as shown.
- 1.2 Pre-tin cable jacket to approximate dimension shown.

Step 1



- 2.1 Slide clamp nut onto cable in orientation shown.
- 2.2 Insert cable into solder ferrule until fully seated, then solder cable to ferrule where shown.
- 2.3 Trim cable dielectric flush with ferrule face (do not score center conductor), then point center conductor as shown.

Step 2



- 3.1 Insert cable sub-assembly into connector body until solder ferrule is seated and tighten clamp nut to 25-35 in. lbs.

Step 3

**Product Control:**

Crystek Part Number:	CS-FM-MSR	Release Date:	18-Jul-11
Revision Level:	C	Responsible:	K. Piotrowicz



**CRYSTEK**  
 CORPORATION

12730 COMMONWEALTH DRIVE • FORT MYERS, FLORIDA 33913  
 PHONE: 239-561-3311 • 800-237-3061  
 FAX: 239-561-1025 • WWW.CRYSTEK.COM

## OUR CERTIFICATE

DiGi provide top-quality products and perfect service for customer worldwide through standardization, technological innovation and continuous improvement. DiGi through third-party certification, we strictly control the quality of products and services. Welcome your RFQ to

Email: [Info@DiGi-Electronics.com](mailto:Info@DiGi-Electronics.com)



Tel: +00 852-30501935

RFQ Email: [Info@DiGi-Electronics.com](mailto:Info@DiGi-Electronics.com)

DiGi is a global authorized distributor of electronic components.