

CS-SM-MHD Datasheet



<https://www.DiGi-Electronics.com>

DiGi Electronics Part Number	CS-SM-MHD-DG
Manufacturer	Crystek Corporation
Manufacturer Product Number	CS-SM-MHD
Description	CONN SMA PLUG STR SOLDER
Detailed Description	SMA Connector Plug, Male Pin Free Hanging (In-Line) Solder

This model CS-SM-MHD is available at DiGi Electronics.

DiGi Electronics offers a global database of semiconductor and electronic component datasheets.

We welcome your inquiries regarding pricing, lead time, or other product-related questions.

 [Request a Quote](#)

 [Datasheet Search](#)



Tel: +00 852-30501935

RFQ Email: Info@DiGi-Electronics.com

DiGi is a global authorized distributor of electronic components.

Purchase and inquiry

Manufacturer Product Number:

CS-SM-MHD

Series:

-

Connector Style:

SMA

Contact Termination:

Solder

Impedance:

-

Mounting Feature:

-

Fastening Type:

Threaded

Features:

-

Ingress Protection:

-

Includes:

-

Body Finish:

-

Dielectric Material:

Polytetrafluoroethylene (PTFE)

Mating Cycles:

-

Base Product Number:

-

Manufacturer:

Crystek Corporation

Product Status:

Obsolete

Connector Type:

Plug, Male Pin

Shield Termination:

Clamp

Mounting Type:

Free Hanging (In-Line)

Cable Group:

Harbour SS402

Number of Ports:

1

Housing Color:

Silver

Center Contact Material:

Beryllium Copper

Body Material:

Stainless Steel

Center Contact Plating:

Gold

Operating Temperature:

-

Insertion Loss:

-

Environmental & Export classification

Moisture Sensitivity Level (MSL):

1 (Unlimited)

ECCN:

EAR99

REACH Status:

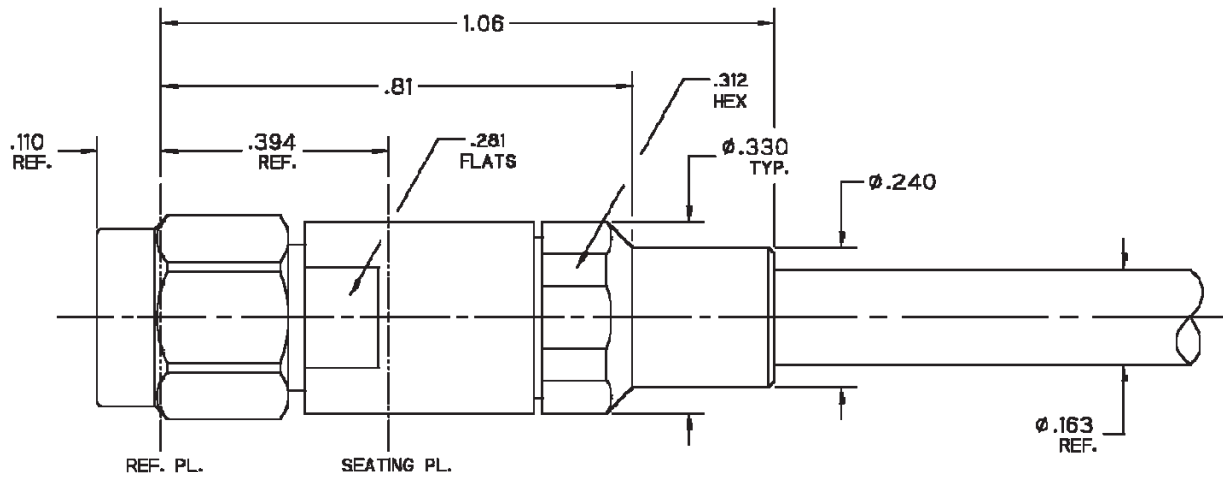
REACH Unaffected

HTSUS:

8536.69.4010



SMA Plug, Solder Clamp for Harbour SS402 Cable



NOTE: Distance from end of cable center conductor to Ref. Pl. is 0.289

NOTES:

1.0 Materials

- 1.1 Body, Coupling, and Clamp Nuts: Steel. Corrosion Resistant per ASTM-A582. UNS No. S30300.
- 1.2 Center Conductor: Beryllium Copper per ASTM-B196. UNS C17300.
- 1.3 Solder Ferrule: Brass per ASTM-B16. UNS C36000.
- 1.4 Lock Ring: Beryllium Copper per ASTM-B197. UNS C17200.
- 1.5 Gasket and O-Ring: Silicone Rubber per A-A-59588.
- 1.6 Insulators: PTFE Fluorocarbon per ASTM-D1710.

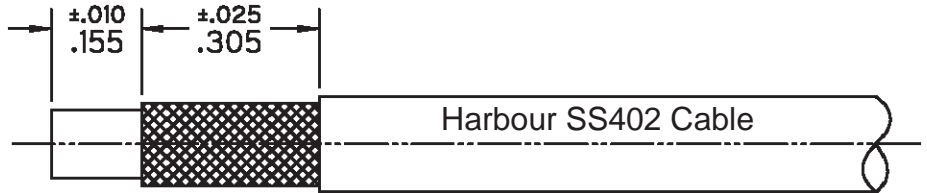
2.0 Finishes

- 2.1 Center Contact and Solder Ferrule: Gold Plate per ASTM-B488 50 Microinches Min. thickness over Electrolytic Nickel Plate per ASTM-B689 50 Microinches Min. thickness.
- 2.2 Body, Coupling, and Clamp Nuts: Passivated per SAE-AMS-2700.
- 2.3 Gasket, O-Ring, and Dielectric Bead: None.

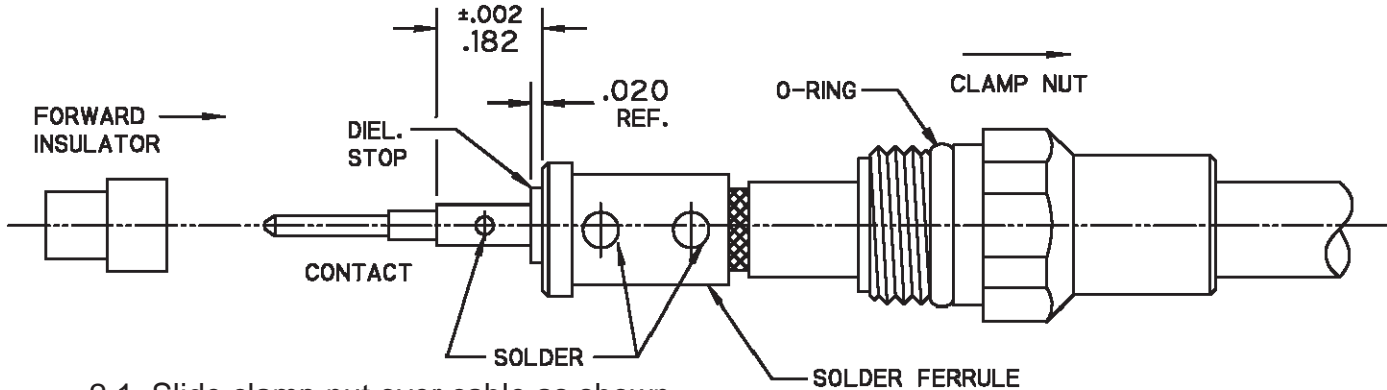
- 3.0 Interface: Type SMA Plug per Crystek Interface Specification CC-SMAP (Meets MIL-STD-348. Figure 310-1).



SMA Plug, Solder Clamp for Harbour SS402 Cable

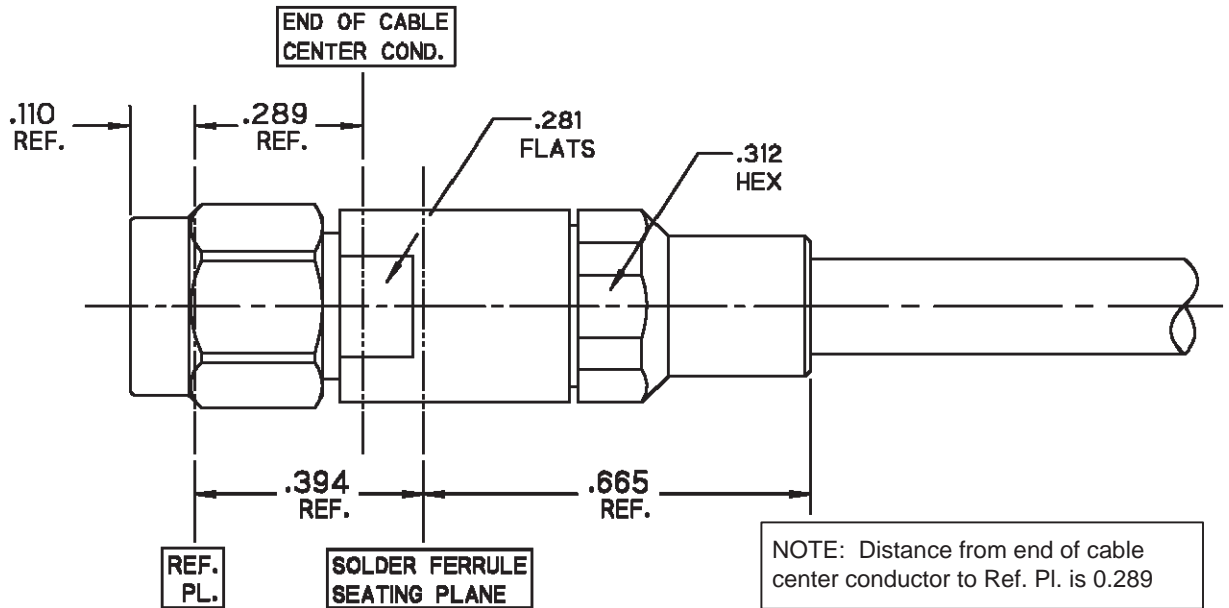


Step 1 1.1 Trim Cable as shown.



- 2.1 Slide clamp nut over cable as shown.
- 2.2 Insert cable into solder ferrule as shown then solder braids to ferrule where indicated.
- 2.3 Trim exposed cable dielectric flush with solder ferrule face.
- 2.4 Slide dielectric stop over cable center conductor against ferrule face and solder contact flush against stop to dimension shown.
- 2.5 Slide forward insulator onto contact.

Step 2 2.5 Slide forward insulator onto contact.



- 3.1 Insert cable/contact sub-assembly into connector until seated and tighten clamp nut to 25-35 in-lbs.

Step 3

Product Control:			
Crystek Part Number:	CS-SM-MHD	Release Date:	04-Jan-11
Revision Level:	A	Responsible:	K. Piotrowicz

OUR CERTIFICATE

DiGi provide top-quality products and perfect service for customer worldwide through standardization, technological innovation and continuous improvement. DiGi through third-party certification, we stricly control the quality of products and services. Welcome your RFQ to

Email: Info@DiGi-Electronics.com



Tel: +00 852-30501935

RFQ Email: Info@DiGi-Electronics.com

DiGi is a global authorized distributor of electronic components.