

www.digi-electronics.com



TE122001-1 Datasheet

DiGi Electronics Part Number	TE122001-1-DG
Manufacturer	DB Unlimited
Manufacturer Product Number	TE122001-1
Description	BUZZER ELECTRO 1.5V 12MM TH

<https://www.DiGi-Electronics.com>

Detailed Description

Buzzers Transducer, Externally Driven Electromechanical 1.5 V 10mA 2.048kHz 70dB @ 1.5V, 10cm Thr
Electronics PC Pins

This model TE122001-1 is available at [DiGi Electronics](#)

DiGi Electronics offers a global database of semiconductor and electronic component datasheets. We welcome your inquiries regarding pricing, lead time, or other product-related questions.

 [Request a Quote](#)

 [Datasheet Search](#)

Tel: +00 852-30501935

RFQ Email: Info@DiGi-Electronics.com

DiGi is a global authorized distributor of electronic components.

Purchase and inquiry

Manufacturer Product Number:

TE122001-1

Series:

-

Driver Circuitry:

Transducer, Externally Driven

Voltage - Rated:

1.5 V

Frequency:

2.048kHz

Operating Mode:

-

Sound Pressure Level (SPL):

70dB @ 1.5V, 10cm

Port Location:

Top

Approval Agency:

-

Ingress Protection:

-

Termination:

PC Pins

Height - Seated (Max):

Manufacturer:

DB Unlimited

Product Status:

Active

Input Type:

Zero-Peak Signal

Voltage Range:

1 ~ 2V

Technology:

Electromechanical

Duration:

-

Current - Supply:

10mA

Operating Temperature:

-20°C ~ 60°C

Ratings:

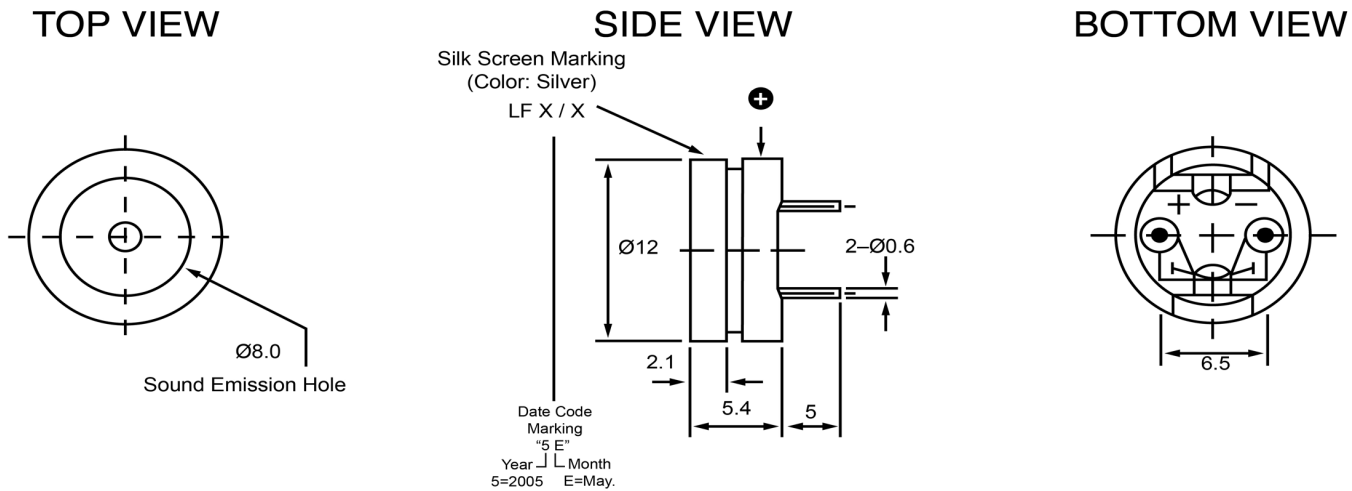
-


Mounting Type:

Through Hole

Size / Dimension:

0.472" Dia (12.00mm)



Specifications			Notes	Revision History						
Description	Value	Unit		Version	Description		Date	Approved		
Technology	Electro-Mechanical		1) All dimensions are in mm unless otherwise noted 2) All parts meet RoHS	1	Released from Engineering		10/21/2013	J.S		
Resonant Frequency	2,048	(Hz)								
Rated Voltage	1.5	(V)								
SPL @ 10cm	70	(dBA)								
Coil Resistance	50	(ohm)								
Mount Type	Thru Hole									
Voltage Range	1 ~ 2	(V)								
Max Rated Current	10	(mA)								
Housing Material	NORYL									
Operating Temperature	-20 ~ +60	°C								
Storage Temperature	-20 ~ +60	°C								
Weight	2	(g)								
 DB UNLIMITED			Electro-Mechanical Transducer			TE122001-1				

Additional considerations can be found at www.dbunlimitedco.com/technical-articles.

OUR CERTIFICATE

DiGi provide top-quality products and perfect service for customer worldwide through standardization, technological innovation and continuous improvement. DiGi through third-party certification, we stricy control the quality of products and services. Welcome your RFQ to

Email: Info@DiGi-Electronics.com



Tel: +00 852-30501935

RFQ Email: Info@DiGi-Electronics.com

DiGi is a global authorized distributor of electronic components.